



US00D783119S

(12) **United States Design Patent**
Pruden

(10) **Patent No.:** **US D783,119 S**

(45) **Date of Patent:** **** Apr. 4, 2017**

(54) **FISHING LURE**

(71) Applicant: **Mark Ducey Pruden**, Edenton, NC
(US)

(72) Inventor: **Mark Ducey Pruden**, Edenton, NC
(US)

(**) Term: **15 Years**

(21) Appl. No.: **29/552,937**

(22) Filed: **Jan. 27, 2016**

(51) **LOC (10) Cl.** **22-05**

(52) **U.S. Cl.**
USPC **D22/129**

(58) **Field of Classification Search**
USPC D22/126-133; 43/42.05, 42.06, 42.23,
43/42.49, 42.35, 42.31, 42.24, 42.09,
43/42.48, 42.26, 42.74, 43.15, 44.99
CPC A01K 85/00; A01K 85/16; A01K 91/053
See application file for complete search history.

(56) **References Cited**

U.S. PATENT DOCUMENTS

- 2,484,747 A * 10/1949 Russell A01K 85/16
43/42.04
- D169,118 S * 3/1953 Barnas D22/129

- 2,766,547 A * 10/1956 Gallagher A01K 91/053
43/42.74
- 3,165,854 A * 1/1965 Teetor A01K 85/01
43/17.1
- D660,936 S * 5/2012 Sprague D22/126

* cited by examiner

Primary Examiner — Catheri Oliver-Garcia

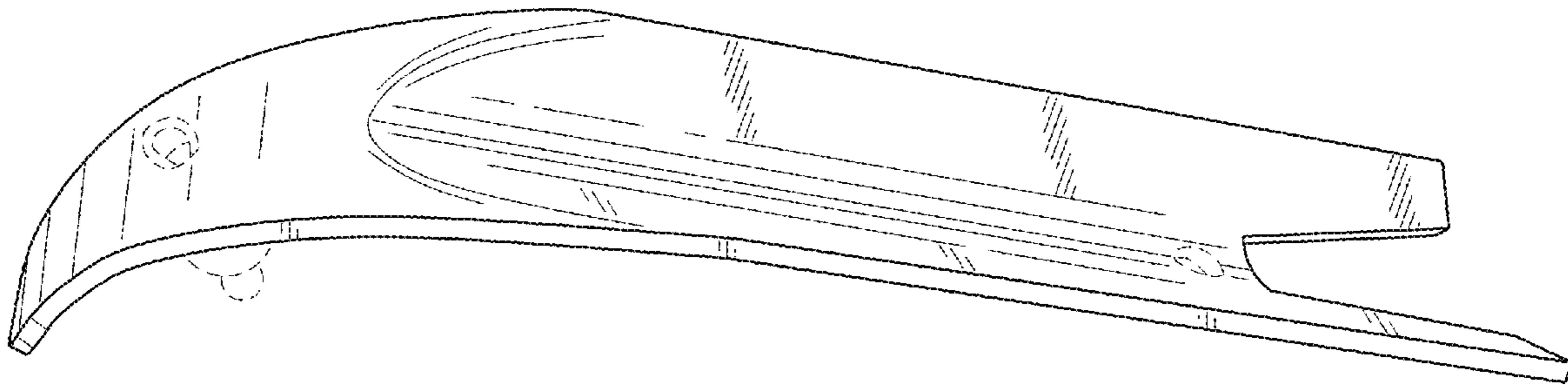
(57) **CLAIM**

The ornamental design for a fishing lure, as shown and described.

DESCRIPTION

FIG. 1 is a perspective view of a fishing lure;
 FIG. 2 is a front elevation view thereof;
 FIG. 3 is a rear elevation view thereof;
 FIG. 4 is a left side elevation view thereof, the right side elevation view being a mirror image thereof;
 FIG. 5 is a top plan view thereof; and,
 FIG. 6 is a bottom plan view thereof.
 The broken lines shown in the drawings depict portions of the fishing lure that form no part of the claimed design.

1 Claim, 2 Drawing Sheets



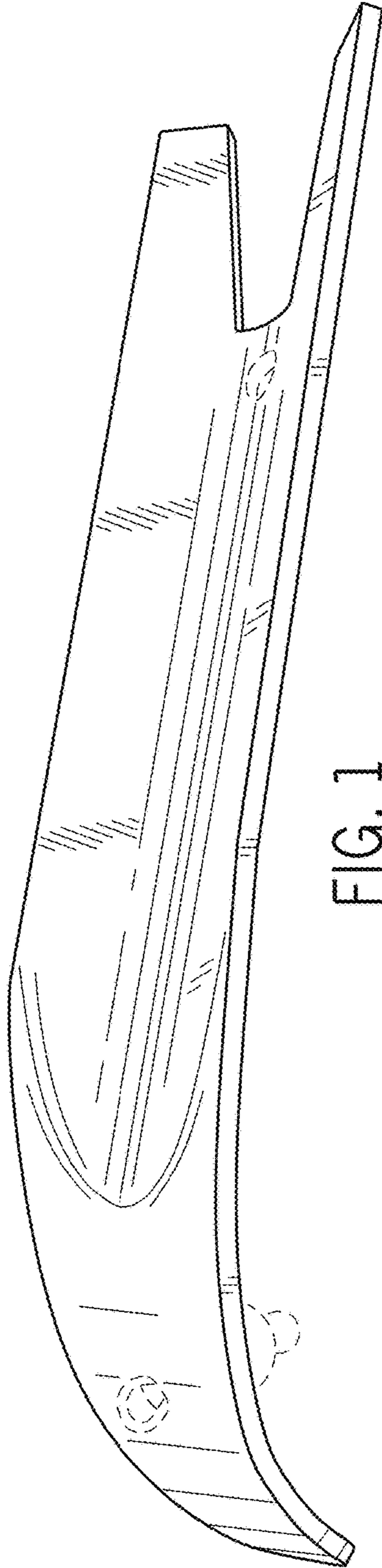


FIG. 1

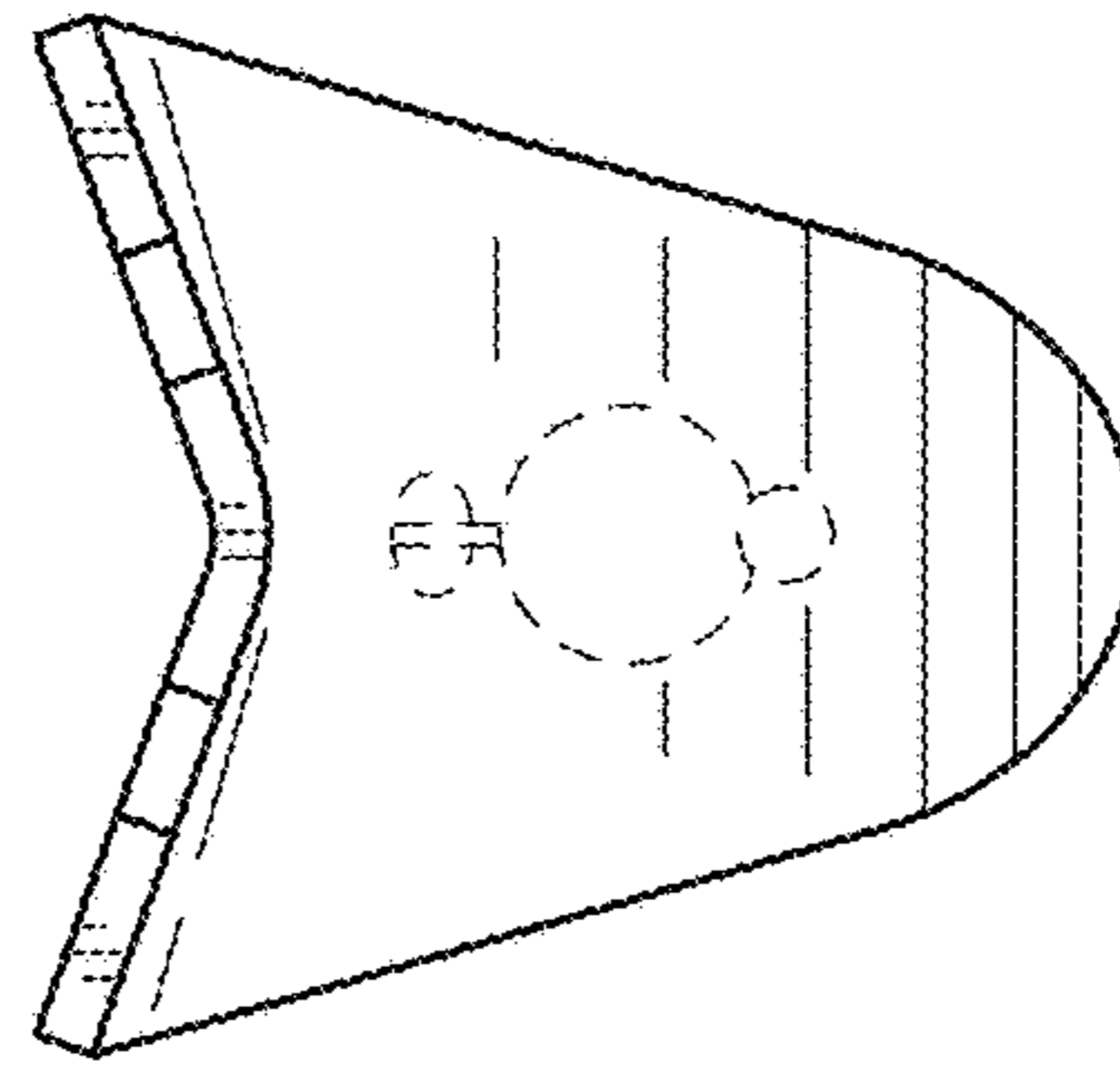


FIG. 2

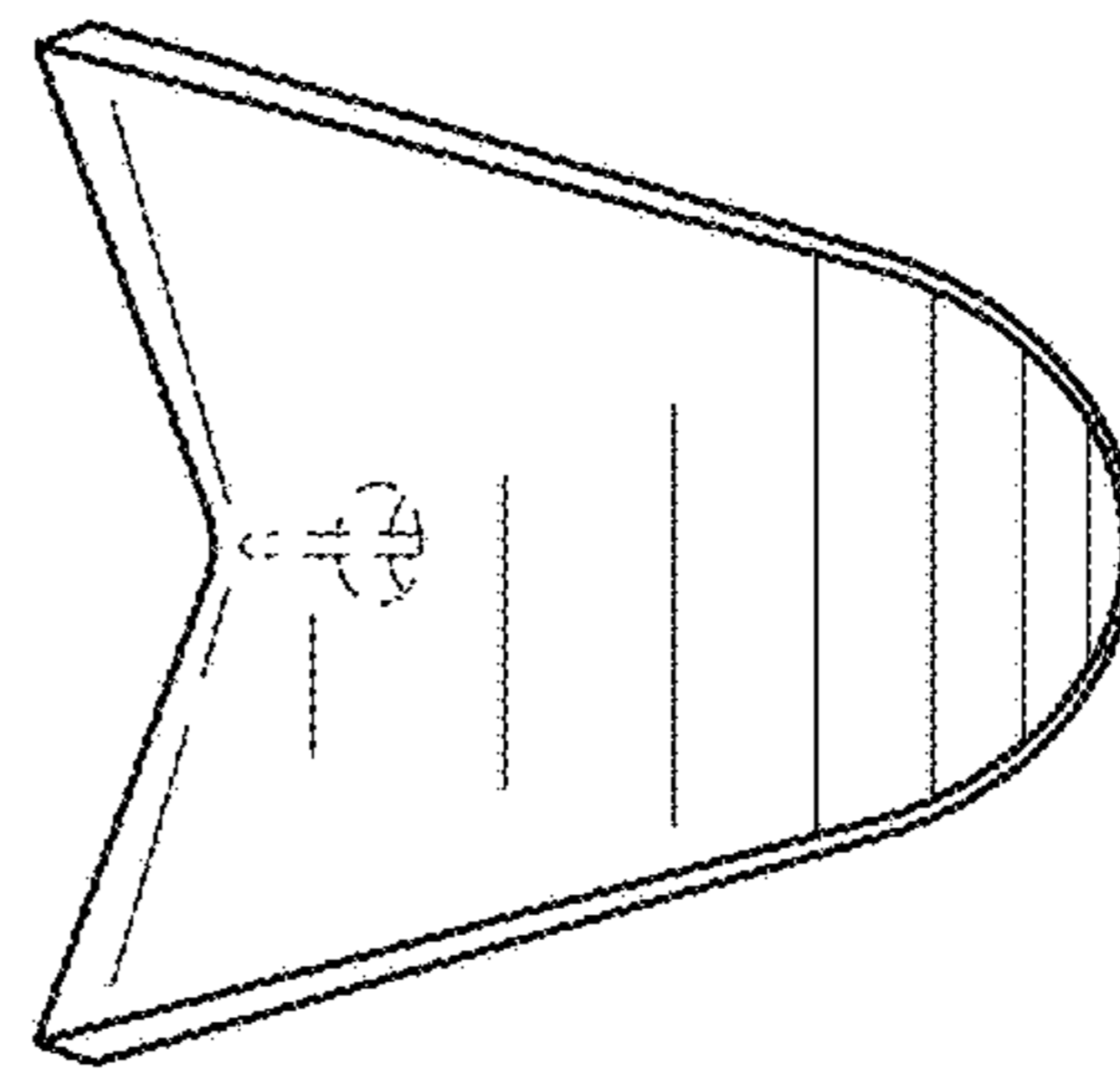


FIG. 3

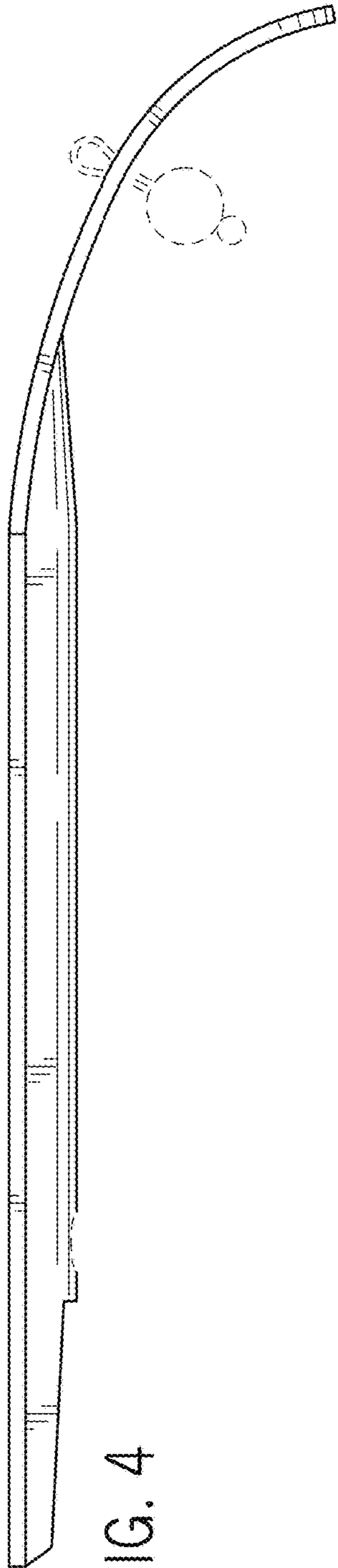


FIG. 4

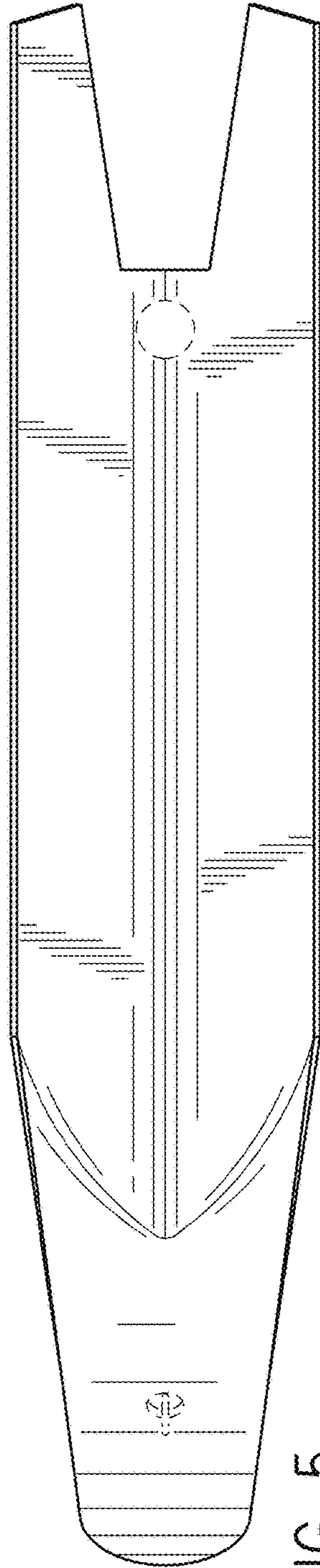


FIG. 5

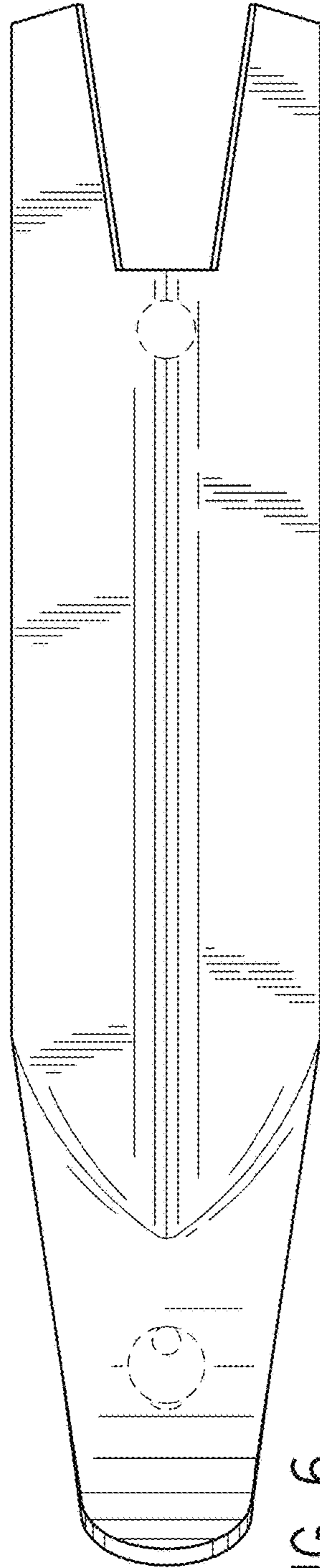


FIG. 6