



US00D783117S

(12) **United States Design Patent** (10) **Patent No.:** **US D783,117 S**
Gilbarte (45) **Date of Patent:** **** Apr. 4, 2017**

(54) **ELECTRIC STUN GUN**
(71) Applicant: **Cutting Edge Products, Inc.**,
Winterville, NC (US)
(72) Inventor: **Ray Gilbarte**, Winterville, NC (US)
(73) Assignee: **CUTTING EDGE PRODUCTS, INC.**,
Winterville, NC (US)
(**) Term: **15 Years**
(21) Appl. No.: **29/539,590**
(22) Filed: **Sep. 15, 2015**
(51) **LOC (10) Cl.** **22-02**
(52) **U.S. Cl.**
USPC **D22/117; D27/101**
(58) **Field of Classification Search**
USPC D22/117, 123; D27/170, 172, 186, 187,
D27/189, 190, 193, 194
CPC A24F 47/00; A24F 15/12; H05B 3/03; H05B
3/44
See application file for complete search history.

D747,521 S * 1/2016 Sheikh D22/117
D751,249 S * 3/2016 Chen D27/101
D758,649 S * 6/2016 Liu D27/101
D761,468 S * 7/2016 Cheng D22/117
2011/0248621 A1* 10/2011 Linow H01K 1/24
313/317
2013/0167853 A1* 7/2013 Liu A24F 47/008
131/329
2015/0245654 A1* 9/2015 Memari A24F 15/12
141/2
2015/0282529 A1* 10/2015 Li A24F 47/008
131/273
2015/0335073 A1* 11/2015 Li A24F 47/008
131/329

(Continued)

Primary Examiner — Manpreet Matharu
Assistant Examiner — Suzanne Tisdell
(74) *Attorney, Agent, or Firm* — Mitchell Law PLLC;
Matthew W. Mitchell

(57) **CLAIM**

The ornamental design for the electric stun gun, as shown.

DESCRIPTION

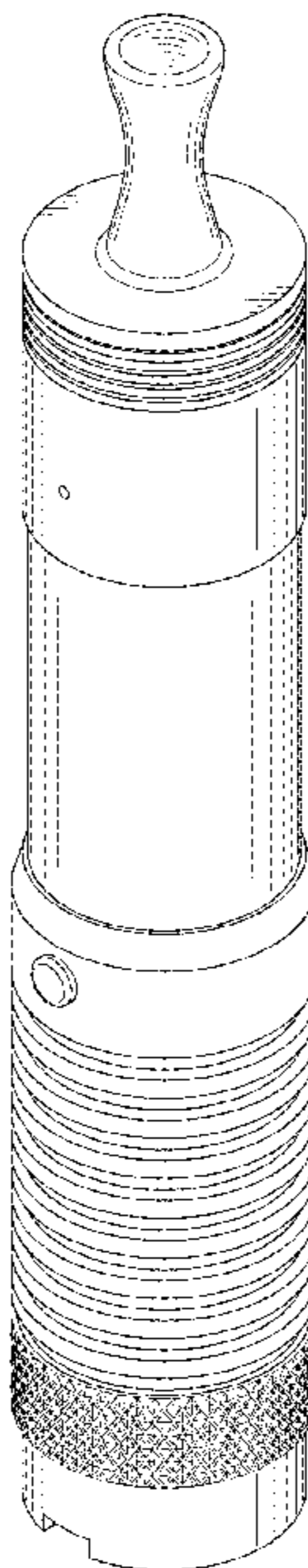
FIG. 1 is a top perspective view of the present invention;
FIG. 2 is a bottom perspective view of the invention of FIG.
1;
FIG. 3 is a front view of the invention of FIG. 1;
FIG. 4 is a back view of the invention of FIG. 1;
FIG. 5 is a side view of the invention of FIG. 1, as seen from
the left side of FIG. 3;
FIG. 6 is a side view of the invention of FIG. 1, as seen from
the right side of FIG. 3;
FIG. 7 is a top view of the invention of FIG. 1; and,
FIG. 8 is a bottom view of the invention of FIG. 1.

1 Claim, 4 Drawing Sheets

(56) **References Cited**

U.S. PATENT DOCUMENTS

D129,846 S * 10/1941 Lemoyne 131/175
D364,480 S * 11/1995 Warren, Sr. D27/183
D634,065 S * 3/2011 Borushek D27/170
D672,423 S * 12/2012 Buie, II D22/108
D675,703 S * 2/2013 Buie, II D22/108
D677,355 S * 3/2013 Buie, II D22/108
D677,356 S * 3/2013 Buie, II D22/108
D707,389 S * 6/2014 Liu D27/194
D720,881 S * 1/2015 Liu D27/101
D739,601 S * 9/2015 Bahbah D27/170



(56)

References Cited

U.S. PATENT DOCUMENTS

2016/0007654 A1* 1/2016 Zhu A24F 47/008
131/328
2016/0113327 A1* 4/2016 Wu H05B 3/06
131/329
2016/0135501 A1* 5/2016 Liu A24F 47/002
131/329
2016/0135505 A1* 5/2016 Li H05B 3/44
131/329
2016/0157522 A1* 6/2016 Zhu F22B 1/284
131/329
2016/0174611 A1* 6/2016 Monsees H05B 3/04
392/387
2016/0213062 A1* 7/2016 Doyle A24F 47/002
2016/0219934 A1* 8/2016 Li A24F 47/008
2016/0219935 A1* 8/2016 Qiu A24F 47/008
2016/0227837 A1* 8/2016 Hammel H05B 6/36

* cited by examiner

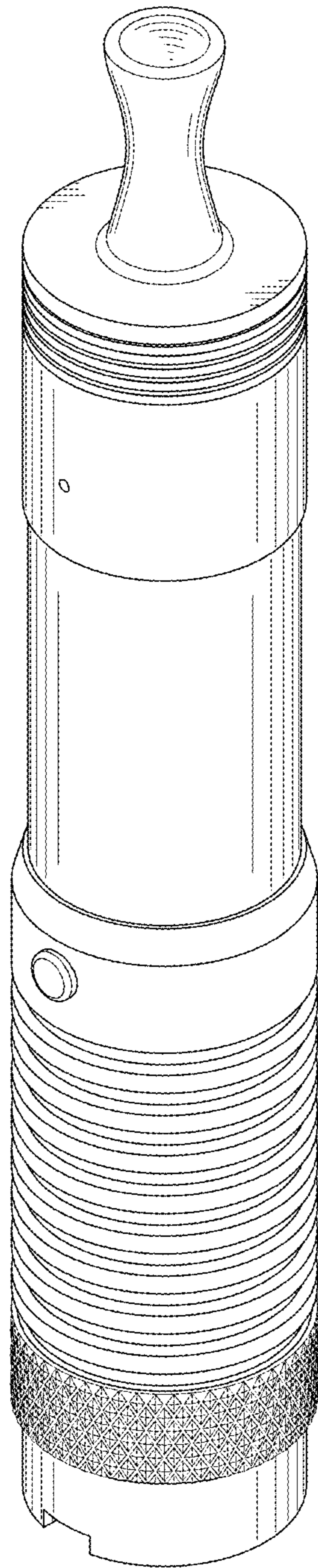


FIG. 1

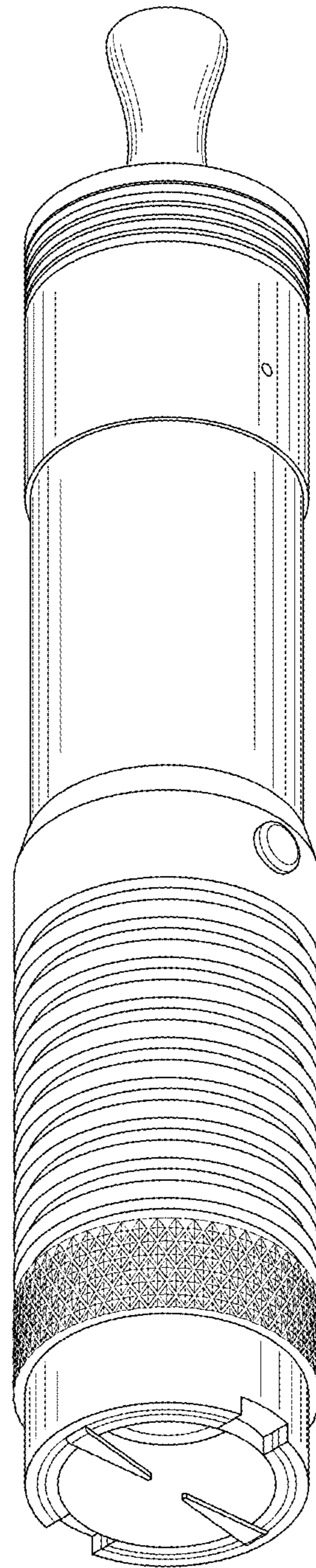


FIG. 2

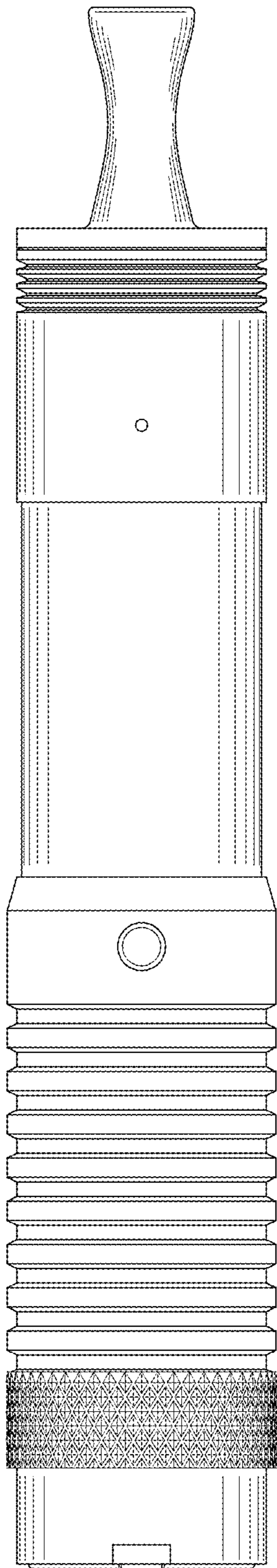


FIG. 3

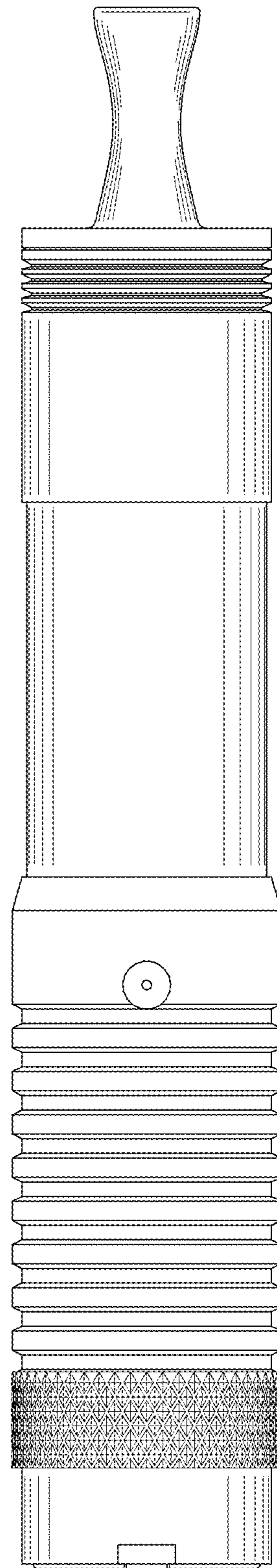


FIG. 4

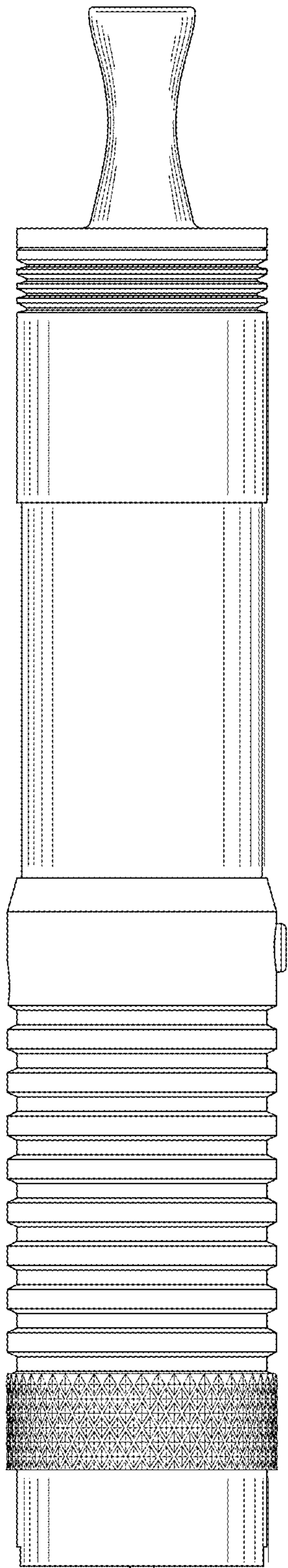


FIG. 5

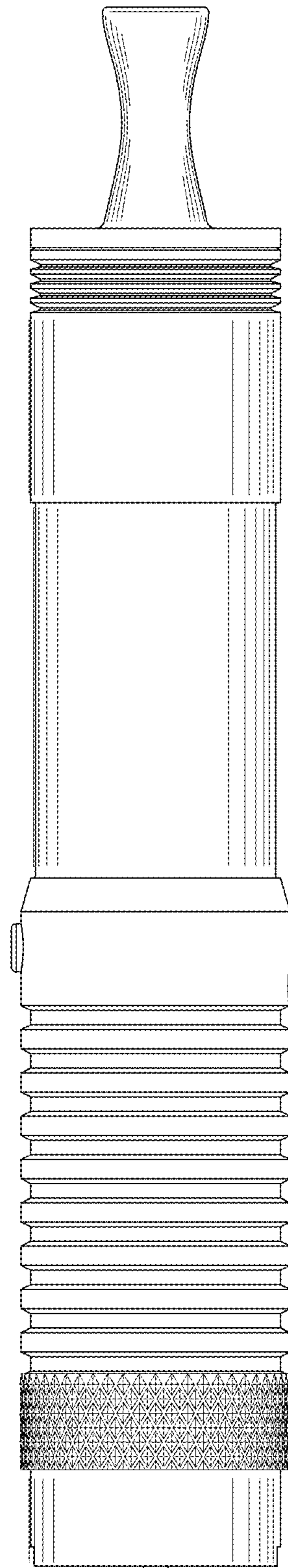


FIG. 6

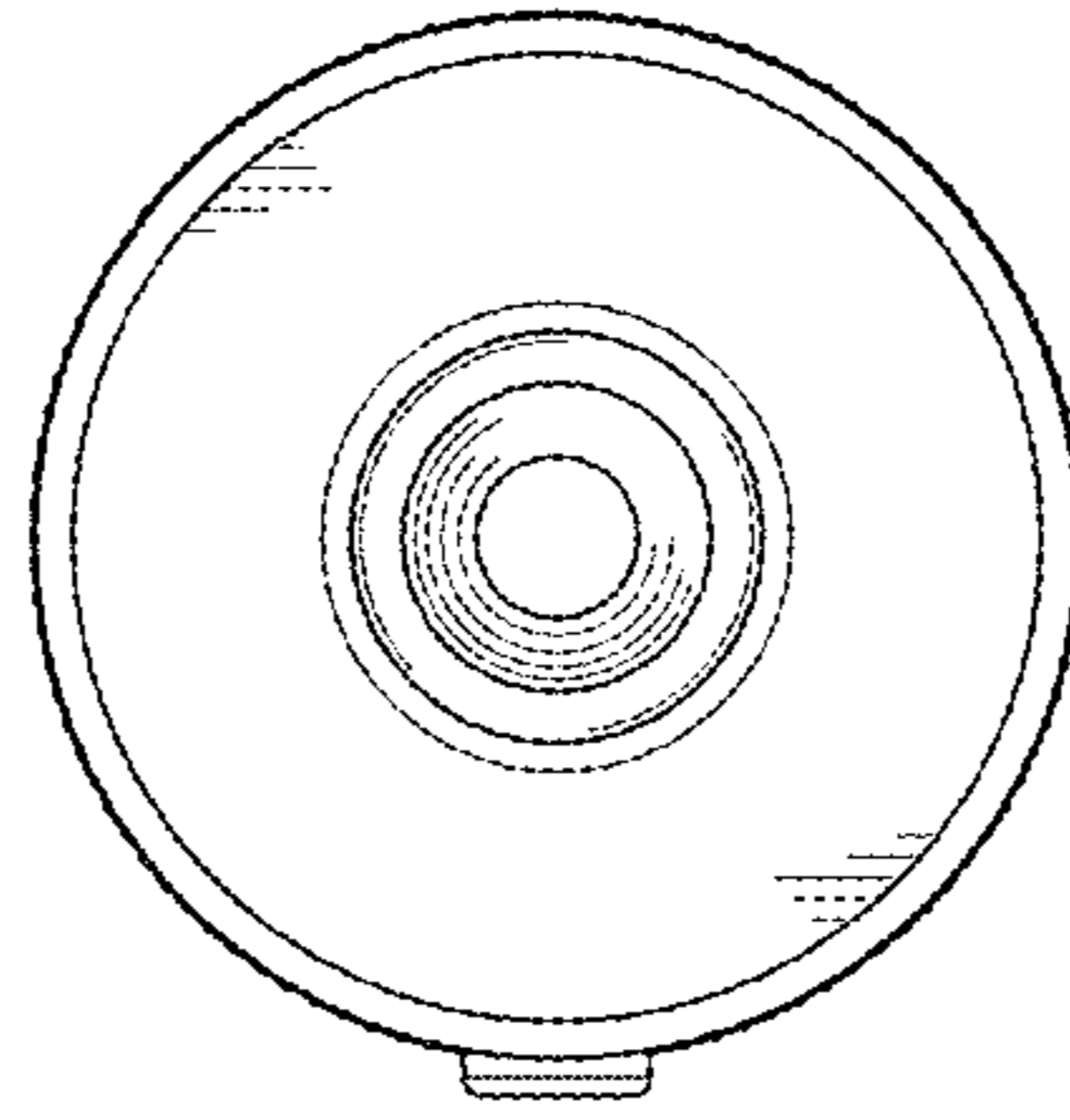


FIG. 7

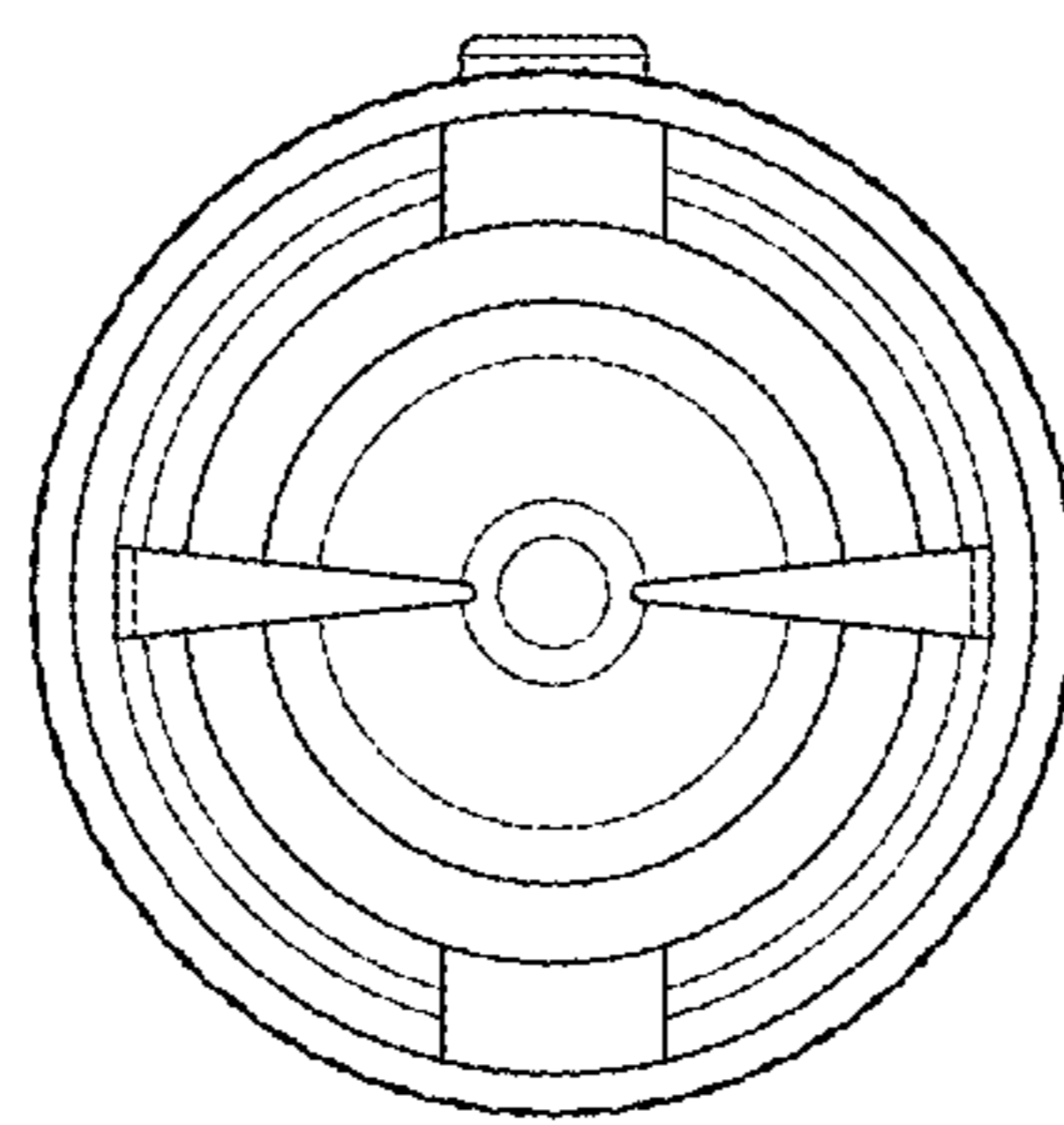


FIG. 8