



US00D783116S

(12) **United States Design Patent** (10) **Patent No.:** **US D783,116 S**  
**Cheng et al.** (45) **Date of Patent:** **\*\* Apr. 4, 2017**

(54) **FIREARM SCOPE**

(71) Applicants: **Carson Cheng**, City of Industry, CA (US); **Jason Michael Cheng**, City of Industry, CA (US); **Richard Thomas**, City of Industry, CA (US)

(72) Inventors: **Carson Cheng**, City of Industry, CA (US); **Jason Michael Cheng**, City of Industry, CA (US); **Richard Thomas**, City of Industry, CA (US)

(73) Assignee: **NcSTAR, Inc.**, City of Industry, CA (US)

(\*\*) Term: **15 Years**

(21) Appl. No.: **29/558,783**

(22) Filed: **Mar. 21, 2016**

(51) **LOC (10) Cl.** ..... **22-01**

(52) **U.S. Cl.**  
USPC ..... **D22/109**

(58) **Field of Classification Search**  
 USPC ..... D22/100, 101, 103, 104, 105, 106, 107, D22/110, 115; D26/38; D21/572-575; D14/418; 42/119, 122, 124, 126, 127, 42/143, 10, 111, 114, 118, 120, 123, 125, 42/132, 85, 90, 113, 117, 141, 67; 86/10; 102/450, 451, 452, 532, 461  
 CPC .... F41G 11/001; F41G 11/003; F41G 11/004; F41G 11/005; F41G 11/006; F41G 1/00; F41G 1/065; F41G 1/08; F41G 1/17; F41G 1/42; F41G 1/32; F41G 1/35; F41G 1/38; F41G 1/02; F41G 1/12; F41G 1/16; F41G 1/345; F41G 1/425; F41A 21/482; F41A 21/488; F41A 11/02; F41A 3/66; F41C 23/04; F41C 23/10; F41C 23/14; F41C 23/16; F41C 23/20; G02B 23/105; G02B 27/34; G02B 27/10

See application file for complete search history.

(56) **References Cited**

U.S. PATENT DOCUMENTS

4,249,315 A \* 2/1981 Hopson, III ..... F41G 11/003  
 42/125  
 D365,858 S \* 1/1996 Tomita ..... D16/132  
 D427,275 S \* 6/2000 Gilmore ..... D16/130  
 D445,475 S \* 7/2001 Spear ..... D22/108

(Continued)

OTHER PUBLICATIONS

GEN3 SRT 3 9X40 Scope, no date available, [online], [site visited Dec. 1, 2016]. Retrieved from <url:http://www.ncstar.com/product/product-detail.aspx?GroupNo=0&ModelNo=VS RTP3940GV3>.\*

(Continued)

*Primary Examiner* — Jeffrey D Asch

*Assistant Examiner* — Tracey J Bell

(74) *Attorney, Agent, or Firm* — Raymond Y. Chan; David and Raymond Patent Firm

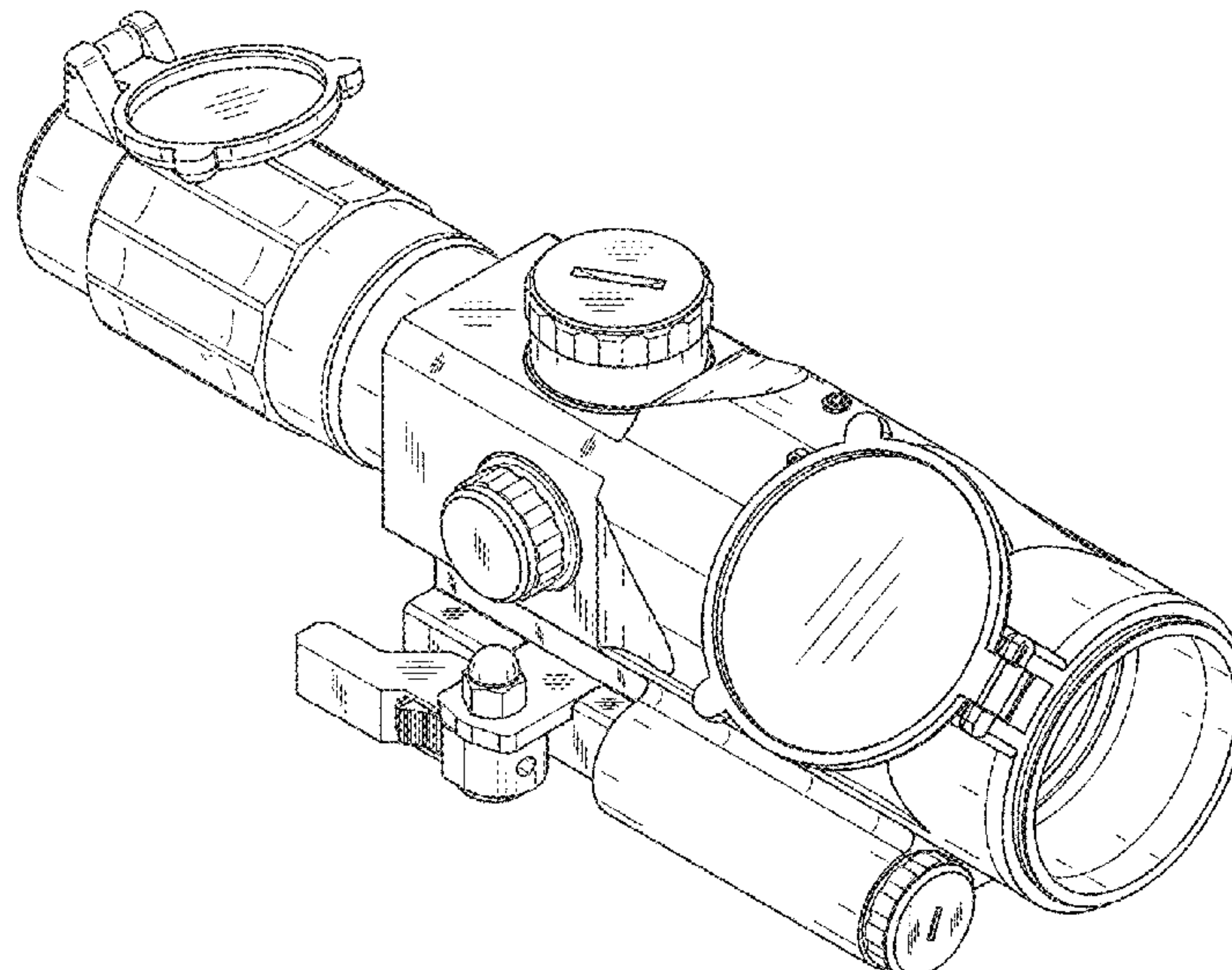
(57) **CLAIM**

The ornamental design for a firearm scope, as shown and described.

**DESCRIPTION**

FIG. 1 is a perspective view of a firearm scope showing our new design, illustrating a front lens cover being flipped rearwardly at its opened position and a rear lens cover being flipped frontwardly at its opened position.  
 FIG. 2 is a front view of the firearm scope.  
 FIG. 3 is a rear view of the firearm scope.  
 FIG. 4 is a left view of the firearm scope.  
 FIG. 5 is a right view of the firearm scope.  
 FIG. 6 is a top view of the firearm scope; and,  
 FIG. 7 is a bottom view of the firearm scope.

**1 Claim, 7 Drawing Sheets**



(56)

**References Cited**

U.S. PATENT DOCUMENTS

D604,384 S \* 11/2009 Bengtsson ..... D22/109  
D616,956 S \* 6/2010 Hamilton ..... D22/108  
D619,190 S \* 7/2010 Larsson ..... D22/108  
D631,121 S \* 1/2011 Cheng ..... D22/108  
D672,839 S \* 12/2012 Ding ..... D22/109  
D704,297 S \* 5/2014 Cheng ..... D22/109  
D741,446 S \* 10/2015 Cheng ..... D22/109  
D750,685 S \* 3/2016 Santos ..... D16/208  
D757,886 S \* 5/2016 Cheng ..... D22/109  
D762,806 S \* 8/2016 Chavez ..... D22/109  
2005/0241209 A1 \* 11/2005 Staley, III ..... F41G 1/52  
42/111  
2012/0055063 A1 \* 3/2012 Lindau ..... F41G 1/30  
42/113  
2014/0237884 A1 \* 8/2014 Koesler ..... F41G 1/30  
42/119  
2015/0135578 A1 \* 5/2015 Walker ..... F41G 1/38  
42/119

OTHER PUBLICATIONS

Aim Sports Recon 2 6 X 32 Variable Zoom Dual illuminated Reticle Scope, no date available, [online], [site visited Dec. 1, 2016]. Retrieved from <url:http://www.evike.com/products/54208/>.\*

\* cited by examiner

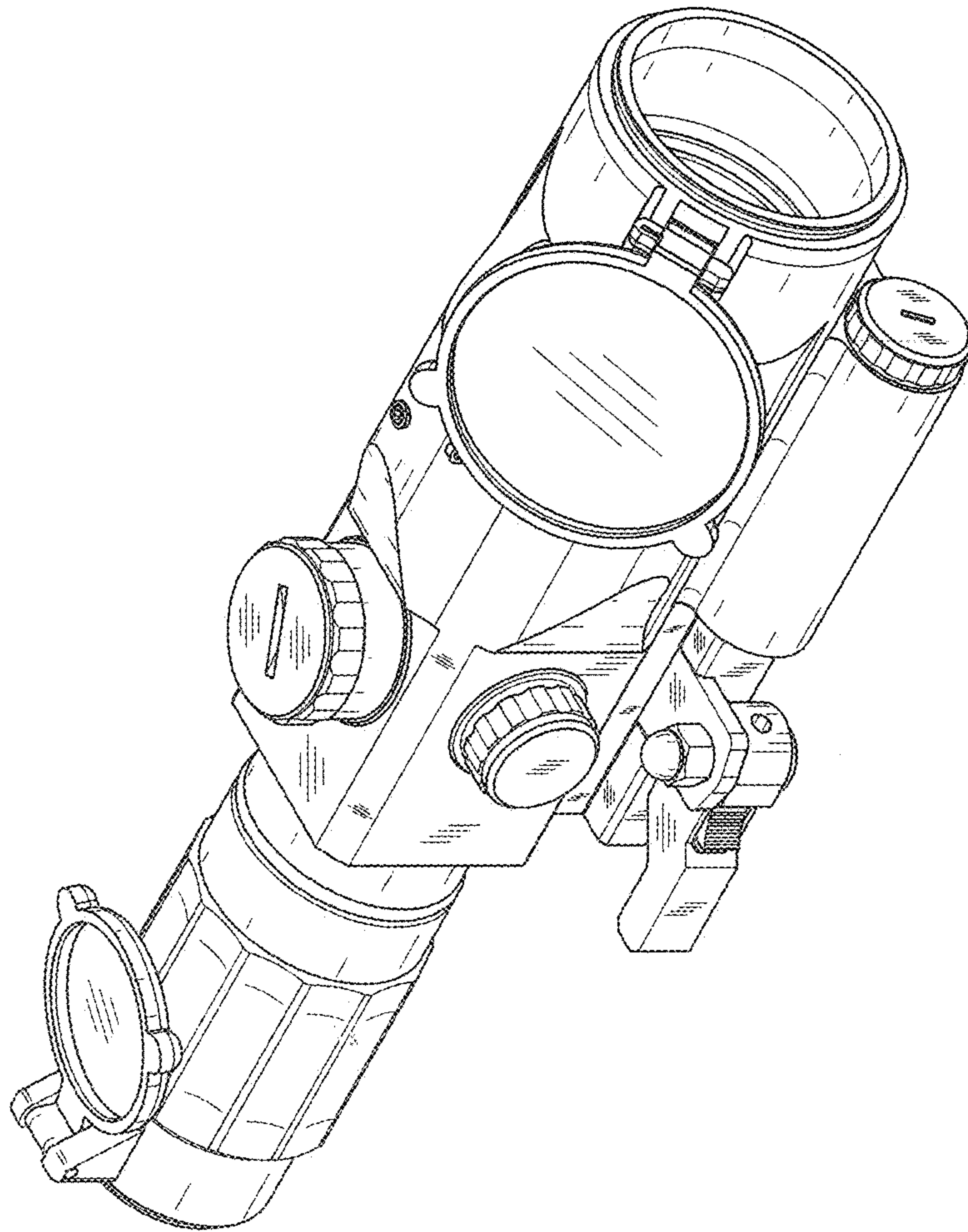


FIG.1

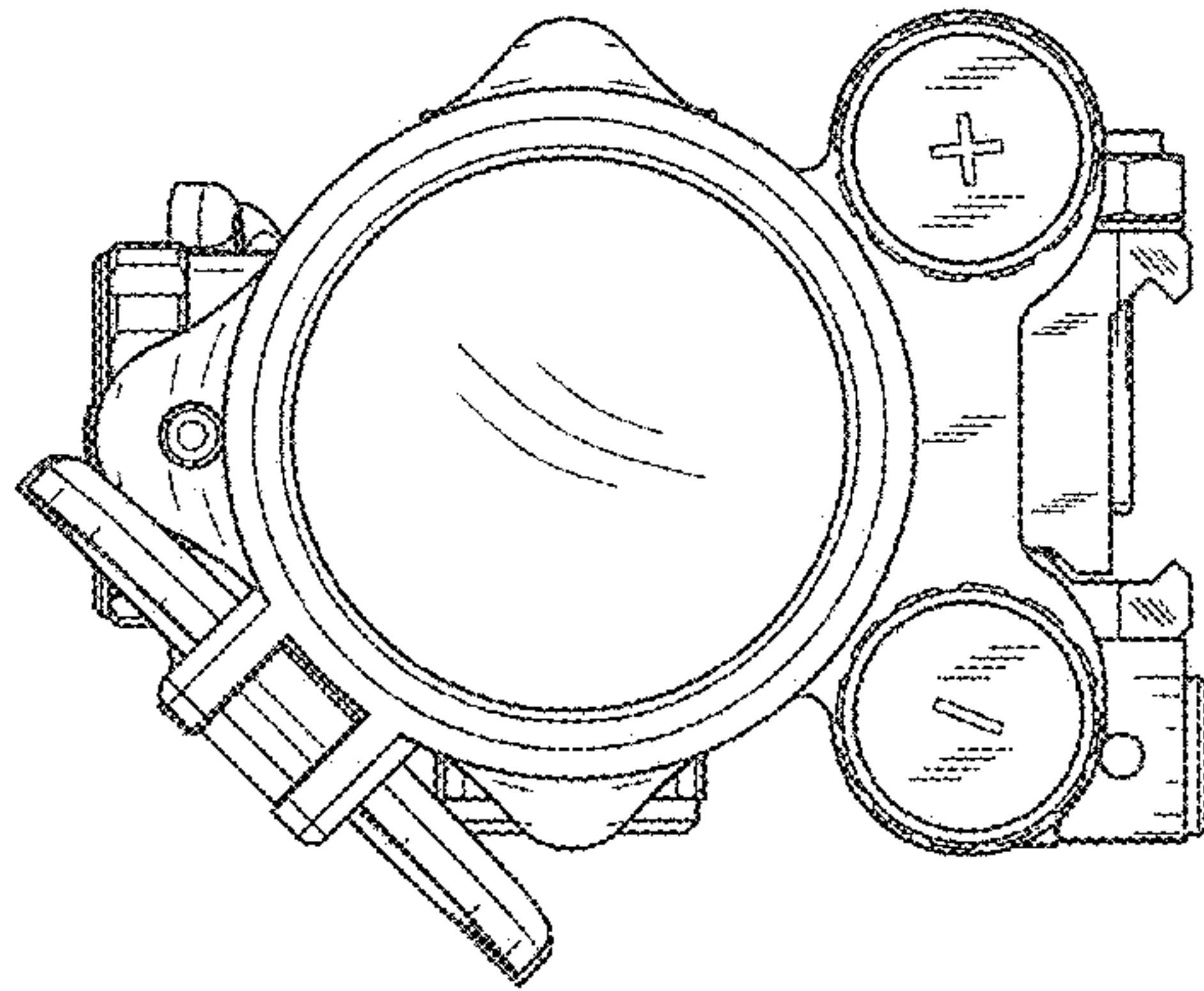


FIG.2



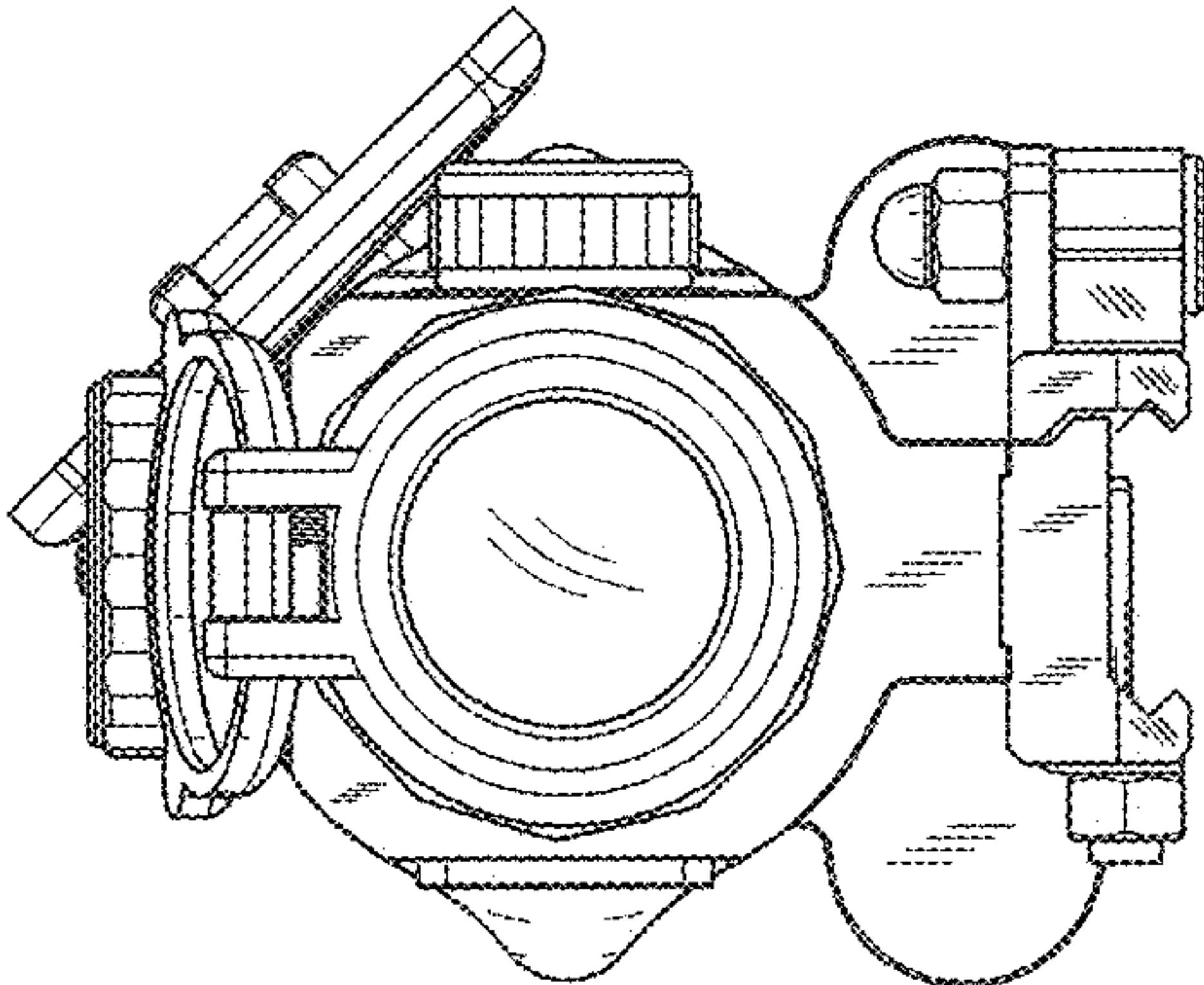


FIG.3

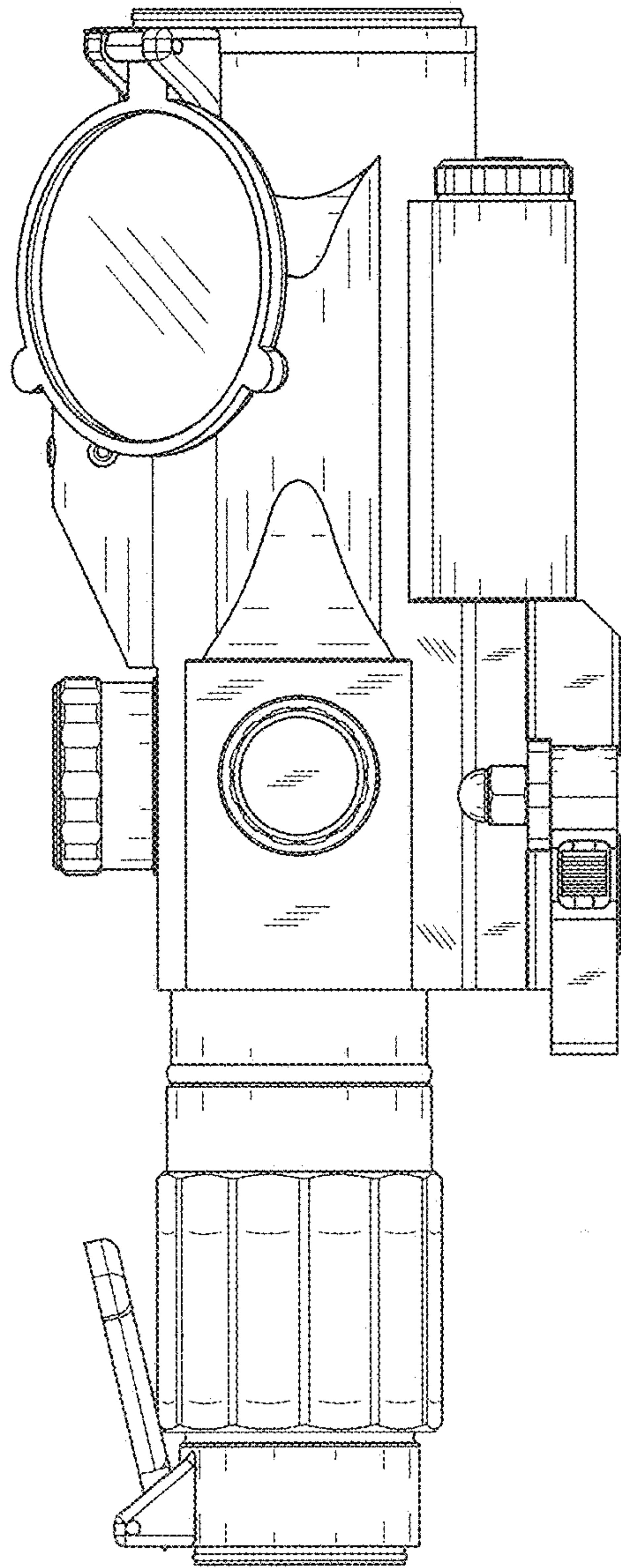


FIG.4

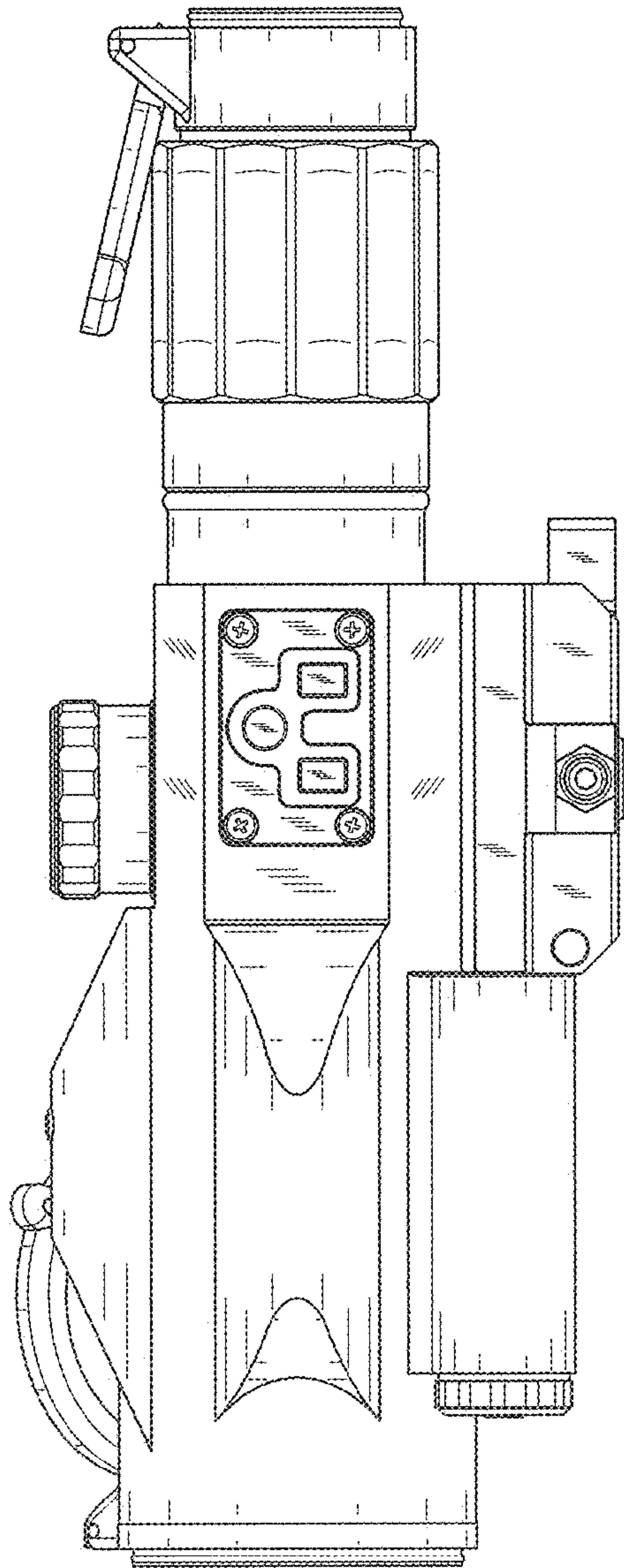


FIG. 5

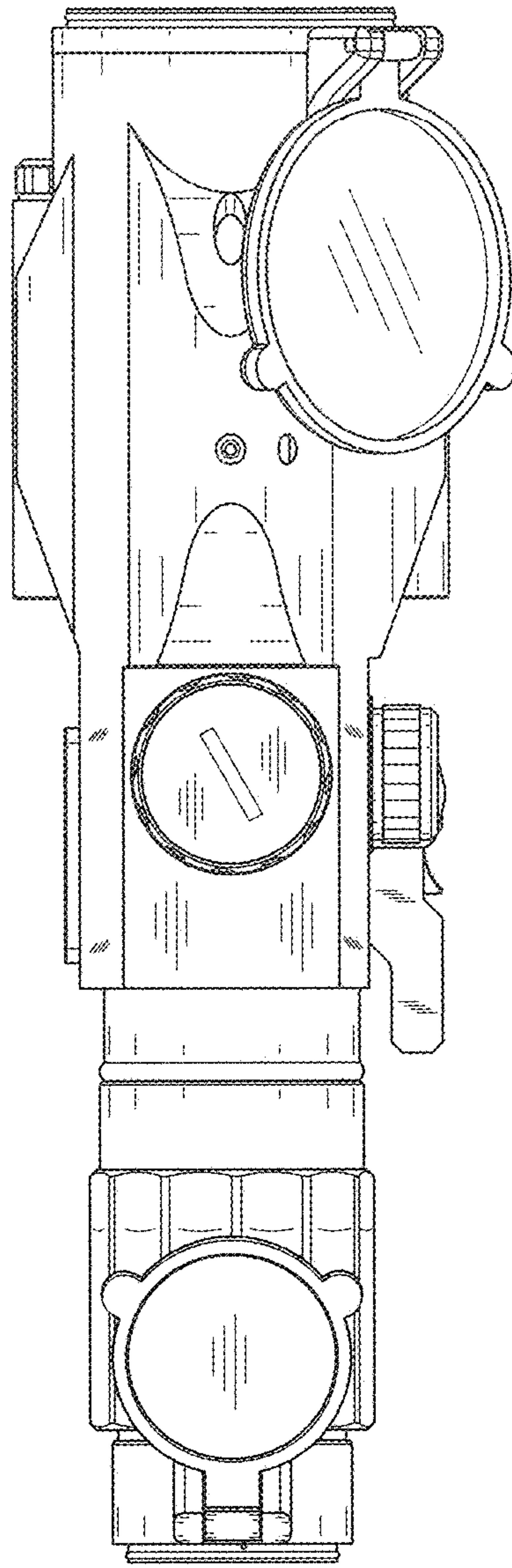


FIG.6



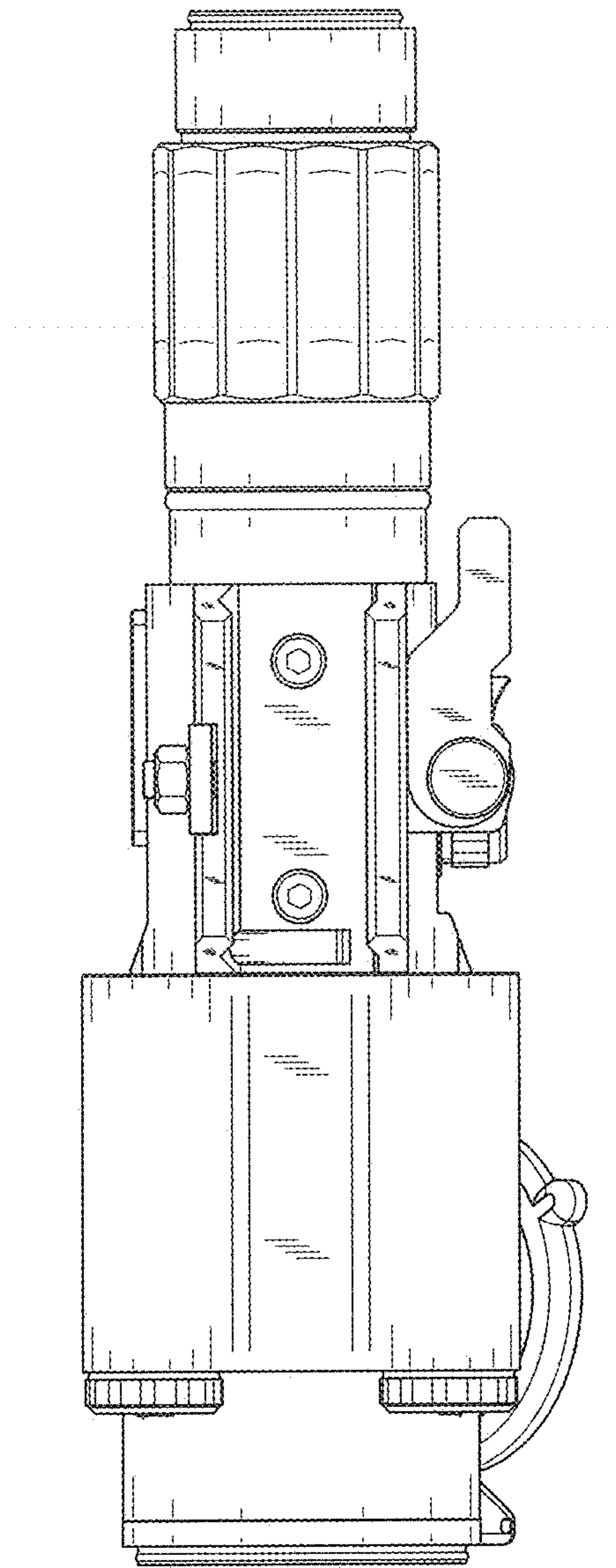


FIG. 7