



US00D783113S

(12) **United States Design Patent**
Noller et al.

(10) **Patent No.:** **US D783,113 S**

(45) **Date of Patent:** **** Apr. 4, 2017**

- (54) **OPTICAL DEVICE RETICLE**
- (71) Applicant: **Burriss Company, Inc.**, Greeley, CO (US)
- (72) Inventors: **Martin Noller**, Greeley, CO (US); **Sky Leighton**, Greeley, CO (US); **Patrick Beckett**, Greeley, CO (US); **RJ Dussart**, Greeley, CO (US); **Jessie Dussart**, Greeley, CO (US); **Vu Pham**, Greeley, CO (US); **Dorgan Trostel**, Greeley, CO (US)
- (73) Assignee: **Burriss Company, Inc.**, Greeley, CO (US)
- (**) Term: **14 Years**
- (21) Appl. No.: **29/524,195**
- (22) Filed: **Apr. 17, 2015**
- (51) **LOC (10) Cl.** **22-01**
- (52) **U.S. Cl.**
USPC **D22/109**
- (58) **Field of Classification Search**
USPC D22/108-109; D16/130-133, 134-136; D14/404
CPC ... F41G 1/38; F41G 1/473; F41G 3/08; F41G 3/06; F41G 3/00; F41G 1/00
See application file for complete search history.

- D306,173 S 2/1990 Reese
 - 5,491,546 A 2/1996 Wascher et al.
 - D397,704 S 9/1998 Reese
 - D403,686 S 1/1999 Reese
 - 5,920,995 A 7/1999 Sammut
 - 6,032,374 A 3/2000 Sammut
 - 6,357,158 B1 3/2002 Smith, III
 - D475,758 S 6/2003 Ishikawa
 - 6,591,537 B2 7/2003 Smith
- (Continued)

OTHER PUBLICATIONS

Burriss Catalog, 2010, Radical Reticles by Burriss, pp. 48-53, Burriss Company, Greeley, Colorado, copyright 2009, 8 pages total.

Primary Examiner — Michael A Pratt

(57) **CLAIM**

The ornamental design for an optical device reticle, as shown and described.

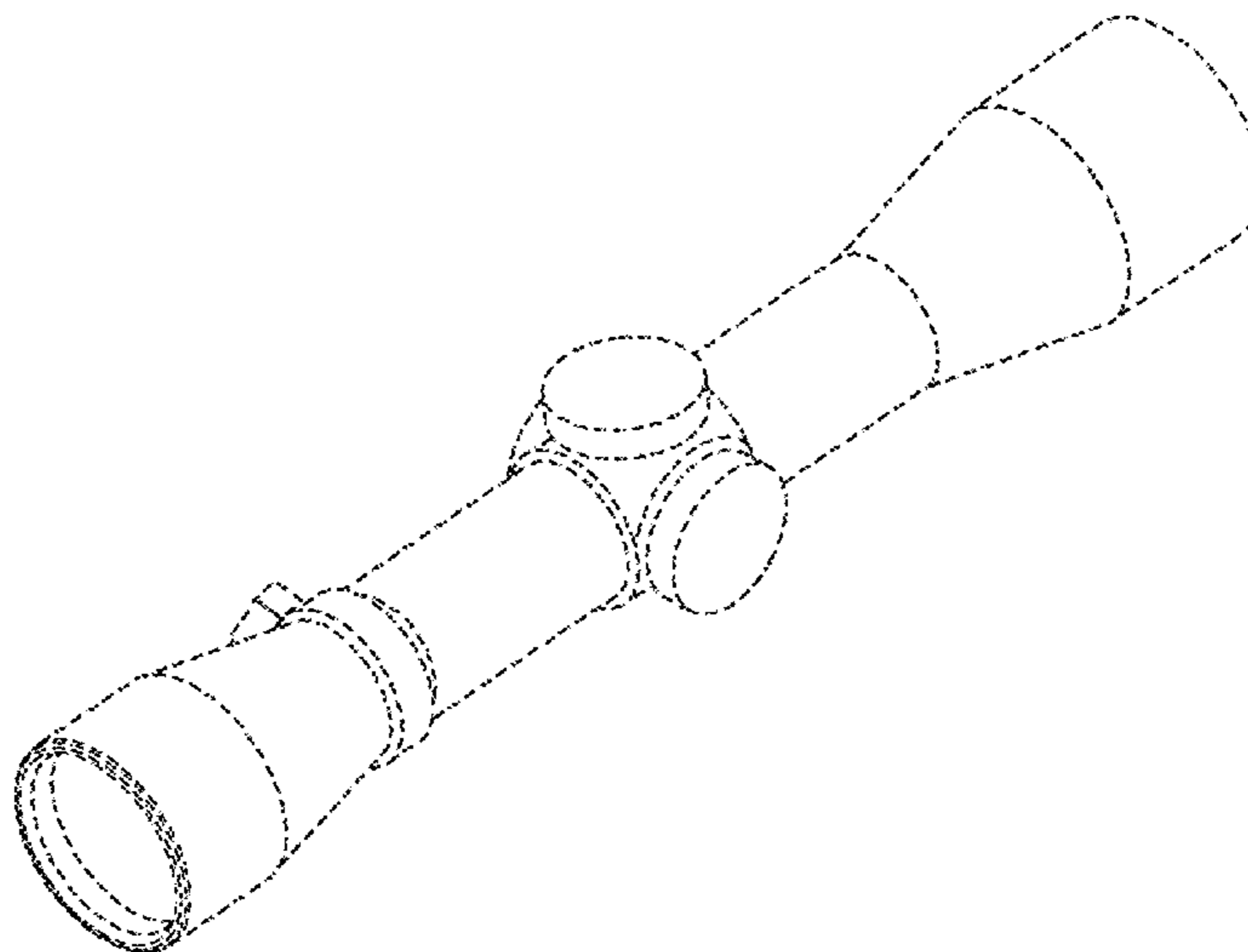
DESCRIPTION

FIG. 1 is a perspective view of an environment for use with an optical device reticle for an optical device;
 FIG. 2 is a view of a first embodiment of an optical device reticle for an optical device, as viewed through an eyepiece end of the optical device;
 FIG. 3 is a view of the optical device reticle of FIG. 2; and,
 FIG. 4 is an enlarged view of the optical device reticle of FIG. 2.

The broken lines showing an optical device in FIGS. 1 and 2 illustrate an environment which forms no part of the claimed design. The broken lines shown in FIGS. 2-4 illustrate portions of the optical device reticle that do not form a part of the claimed design. The broken line ovals in FIG. 3 indicate from where the enlarged view of FIG. 4 is taken, and do not form a part of the claimed design.

1 Claim, 4 Drawing Sheets

- (56) **References Cited**
U.S. PATENT DOCUMENTS
- 3,190,003 A 6/1965 O'Brien
- 3,392,450 A 7/1968 Herter et al.
- 4,285,137 A 8/1981 Jennie
- 4,584,776 A 4/1986 Shepherd
- D285,540 S 9/1986 Allen
- 4,789,231 A 12/1988 Shimizu



(56)

References Cited

U.S. PATENT DOCUMENTS

D517,153 S	3/2006	Timm et al.	D679,777 S *	4/2013	Bracken	D22/108
D522,030 S	5/2006	Jenkinson	D680,187 S	4/2013	Bracken et al.	
D530,775 S	10/2006	LaCorte	D683,418 S	5/2013	Beckett et al.	
D536,762 S	2/2007	Timm et al.	D684,653 S	6/2013	Smith et al.	
D542,879 S *	5/2007	Zaderey	D703,784 S	4/2014	Smith	
D544,511 S	6/2007	Geurts	D716,905 S	11/2014	Beckett et al.	
D567,324 S	4/2008	Pride et al.	9,068,799 B1 *	6/2015	Wu	F41G 1/38
D567,325 S	4/2008	Pride et al.	9,250,038 B2 *	2/2016	Sammur	F41G 1/38
D567,326 S	4/2008	Pride et al.	9,255,771 B2 *	2/2016	Sammur	F41G 1/38
D567,896 S	4/2008	Pride et al.	9,335,123 B2 *	5/2016	Sammur	F41G 1/38
D570,441 S	6/2008	Pride et al.	2004/0016168 A1	1/2004	Thomas et al.	
D584,376 S	1/2009	Peters et al.	2005/0005495 A1	1/2005	Smith	
D587,333 S	2/2009	Peters et al.	2005/0229468 A1	10/2005	Zaderey et al.	
7,603,804 B2	10/2009	Zaderey et al.	2007/0044364 A1	3/2007	Sammur et al.	
D609,769 S	2/2010	Lacorte	2007/0097351 A1	5/2007	York et al.	
7,654,029 B2	2/2010	Peters et al.	2008/0098640 A1	5/2008	Sammur et al.	
D613,362 S	4/2010	Huber	2014/0068993 A1	3/2014	Mikroulis	
D613,363 S	4/2010	Huber	2015/0362288 A1 *	12/2015	Sammur	F41G 3/08 235/404
D631,125 S	1/2011	Huber	2016/0153749 A1 *	6/2016	Sammur	F41G 1/38 42/122
D651,682 S	1/2012	Beckett et al.	2016/0202021 A1 *	7/2016	Roman	F41G 3/06 345/633
D679,776 S *	4/2013	Bracken				

* cited by examiner

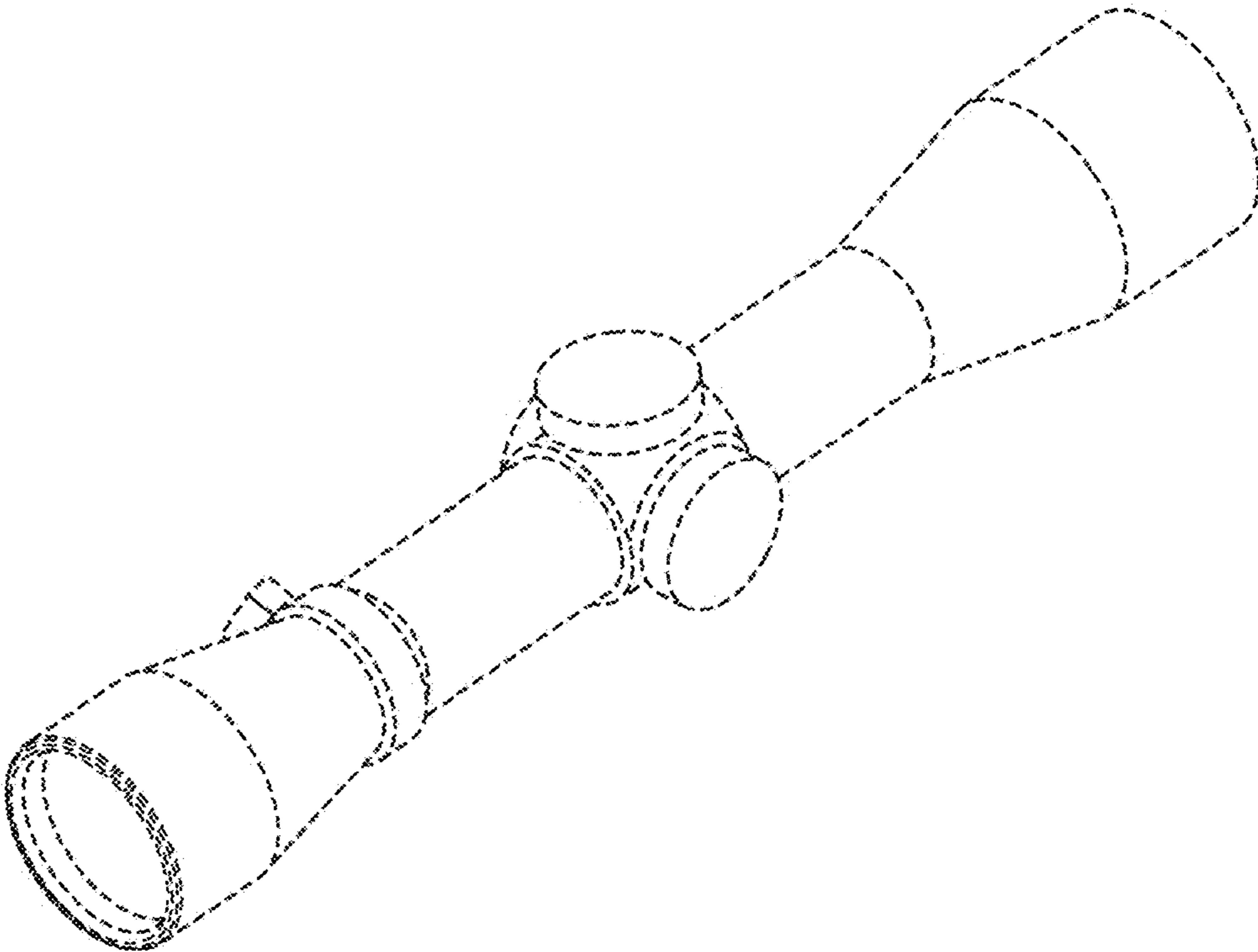


FIG.1

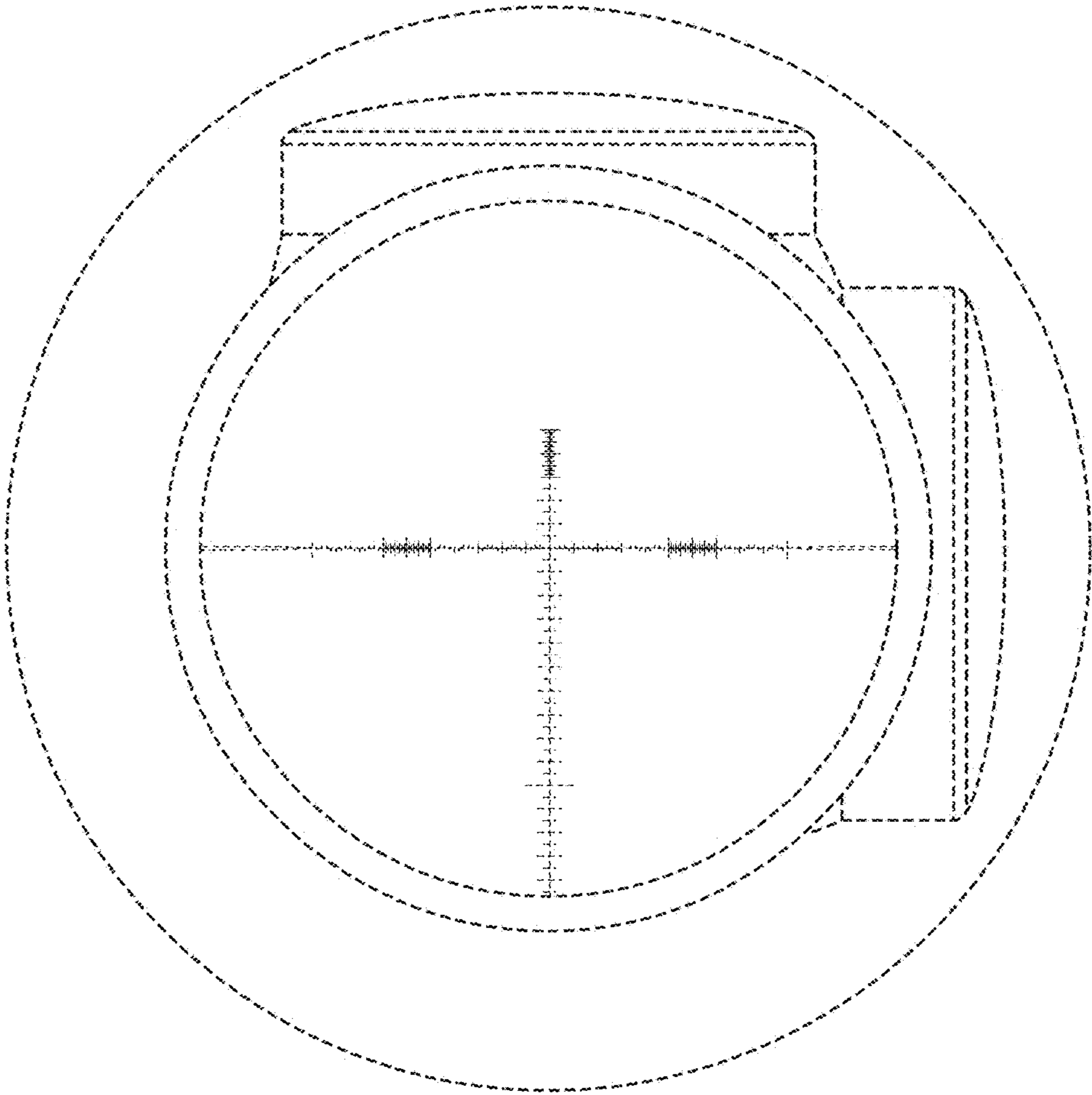


FIG.2

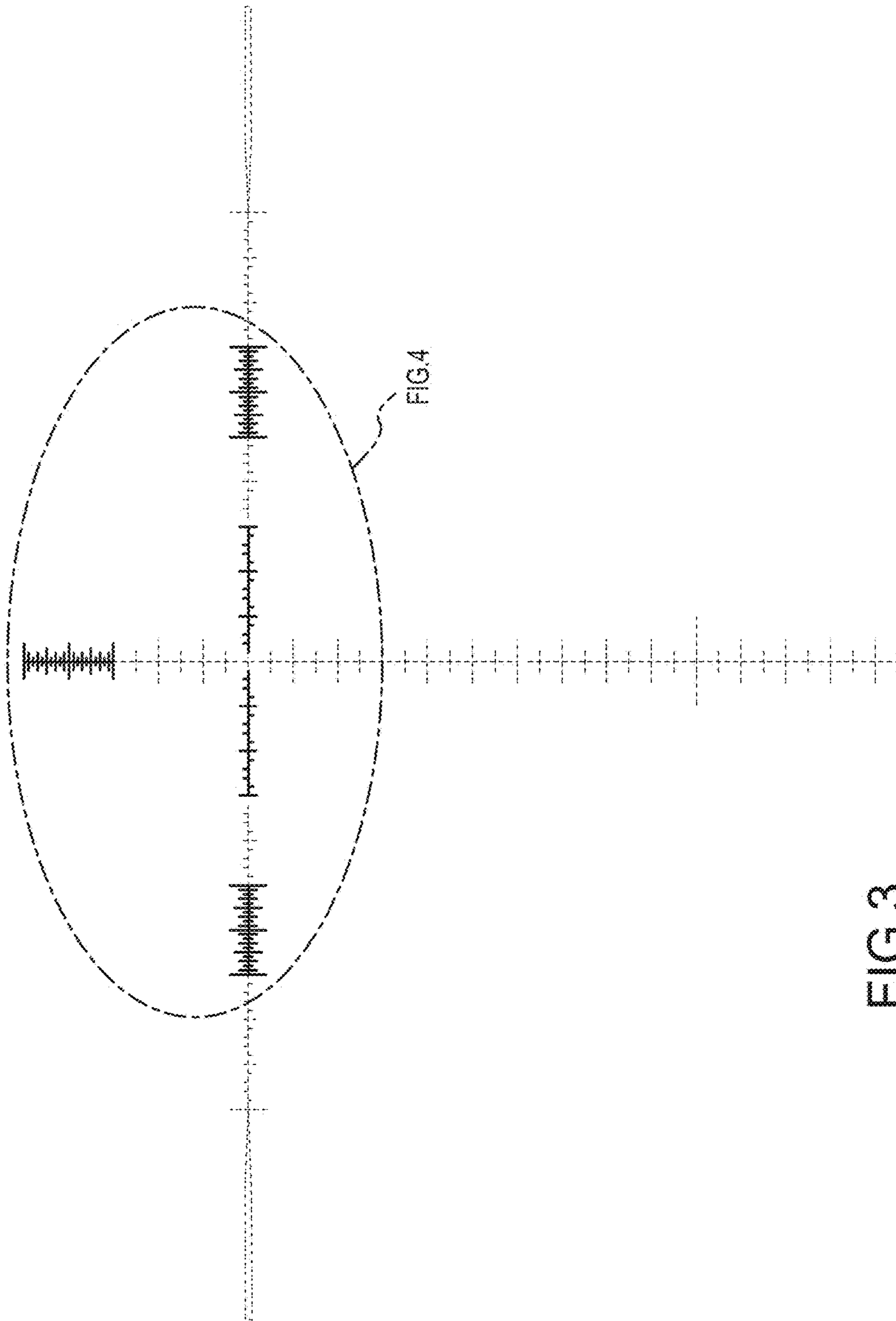


FIG. 3

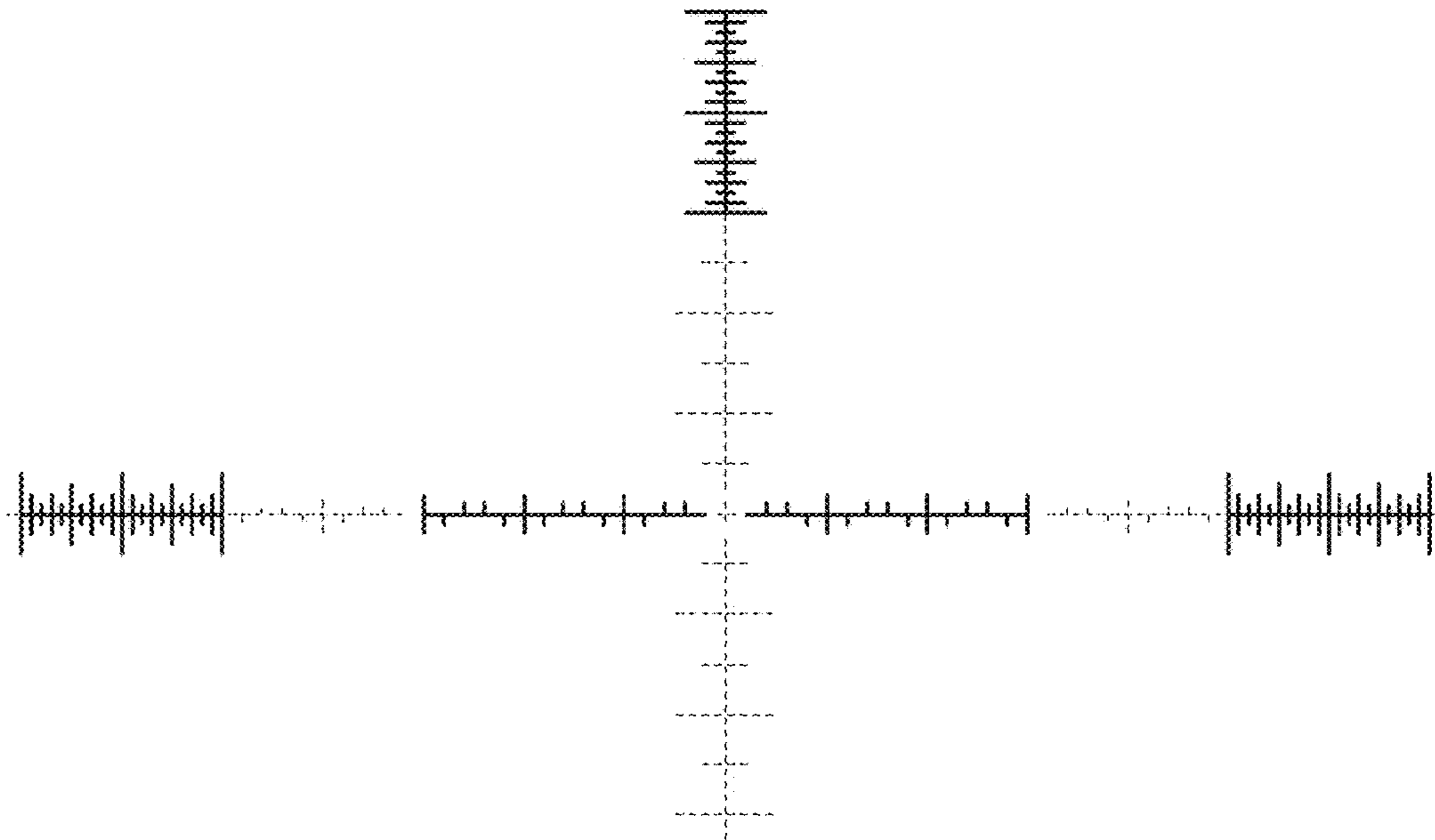


FIG.4