



US00D783111S

(12) **United States Design Patent** (10) **Patent No.:** **US D783,111 S**
Hillis (45) **Date of Patent:** **** Apr. 4, 2017**

(54) **MAGAZINE FOR HANDGUN**

(71) Applicant: **Mark Hillis**, Manchester, TN (US)
(72) Inventor: **Mark Hillis**, Manchester, TN (US)
(73) Assignee: **Jagemann Stamping Company**,
Manitowoc, WI (US)

(**) Term: **15 Years**

(21) Appl. No.: **29/543,979**

(22) Filed: **Oct. 29, 2015**

(51) **LOC (10) Cl.** **22-01**

(52) **U.S. Cl.**
USPC **D22/108**

(58) **Field of Classification Search**
USPC 248/200; D8/354, 373, 380, 499;
D22/108, 109, 199
CPC F16M 11/00
See application file for complete search history.

(56) **References Cited**

U.S. PATENT DOCUMENTS

5,461,811	A *	10/1995	Ciener	F41A 9/65 42/49.02
5,666,752	A *	9/1997	Grams	F41A 9/71 42/49.02
D593,633	S	6/2009	Fitzpatrick et al.		
7,908,780	B2	3/2011	Fitzpatrick et al.		
7,958,660	B2	6/2011	Fitzpatrick et al.		
8,069,601	B1	12/2011	Fitzpatrick et al.		
D691,233	S	10/2013	Bennett et al.		
8,635,796	B2	1/2014	Fitzpatrick et al.		
8,839,543	B2	9/2014	Fitzpatrick et al.		
8,991,086	B2	3/2015	Fitzpatrick et al.		
D748,219	S *	1/2016	Kielsmeier	D22/108
D757,884	S *	5/2016	Kielsmeier	D22/108
2013/0180146	A1	7/2013	Fitzpatrick et al.		

OTHER PUBLICATIONS

Jagemann, Jag 17 Magazine, Publication date unknown, [site visited Nov. 8, 2016], Available on the Internet URL:<<http://www.jagemannsportinggroup.com/magazines/pistol-magazines/jag-17-magazine/>>.*

* cited by examiner

Primary Examiner — Susan Bennett Hattan
Assistant Examiner — S. Bryan Reinholdt, Jr.
(74) *Attorney, Agent, or Firm* — Reinhart Boerner Van Deuren P.C.

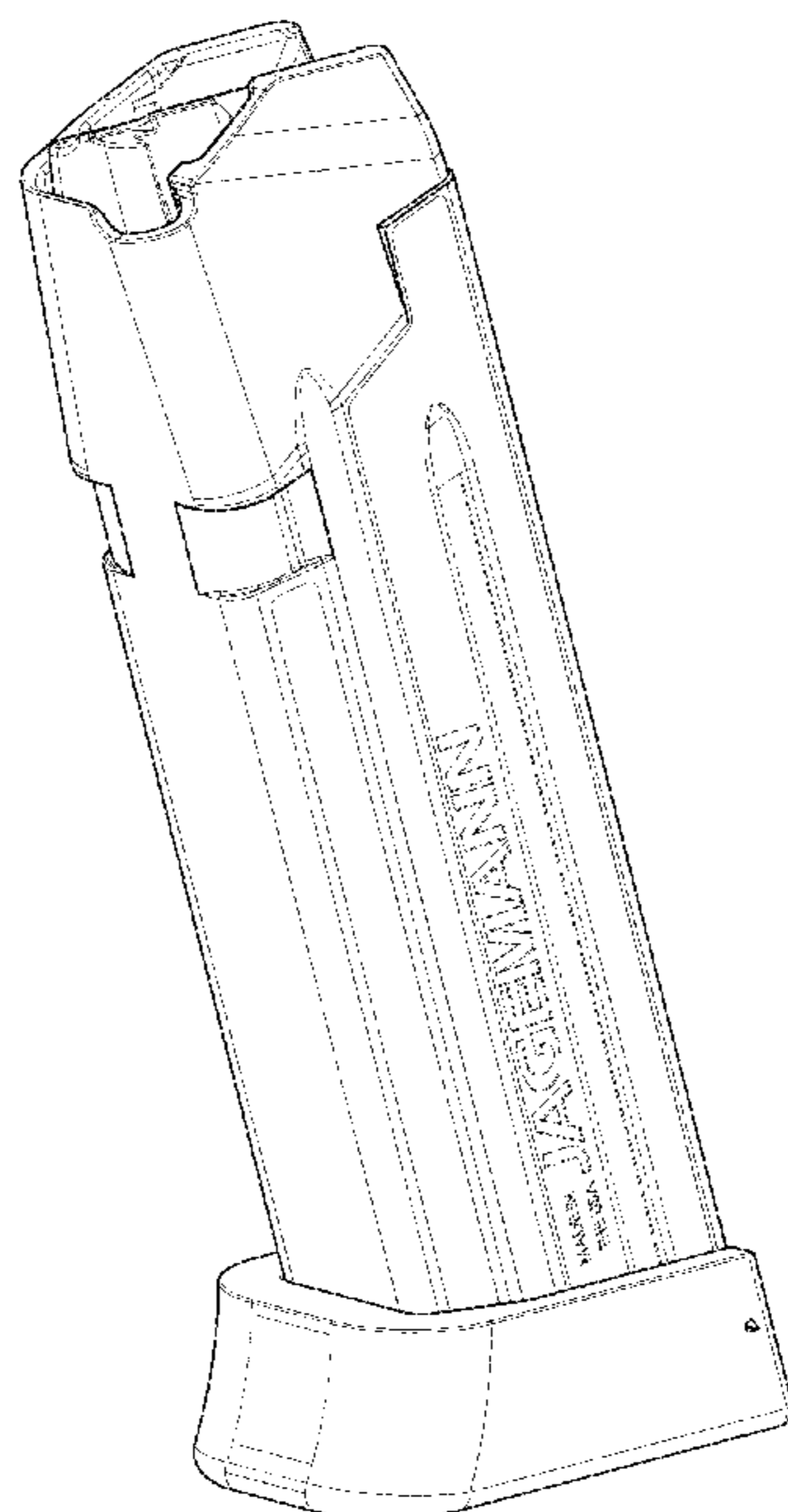
(57) **CLAIM**

I claim the ornamental design for the magazine for handgun, as shown and described.

DESCRIPTION

FIG. 1 is a perspective view showing the front and side of the magazine for handgun;
FIG. 2 is another perspective view showing the rear and a side of the handgun magazine opposite that shown in FIG. 1;
FIG. 3 is a front view thereof;
FIG. 4 is a side view thereof;
FIG. 5 is a bottom view thereof;
FIG. 6 is a top view thereof;
FIG. 7 is a rear view thereof; and,
FIG. 8 is a side view thereof showing the side opposite that shown in FIG. 4.
The broken lines, shown in the drawings, represent portions of the magazine for handgun that form no portion of the claimed design.

1 Claim, 4 Drawing Sheets



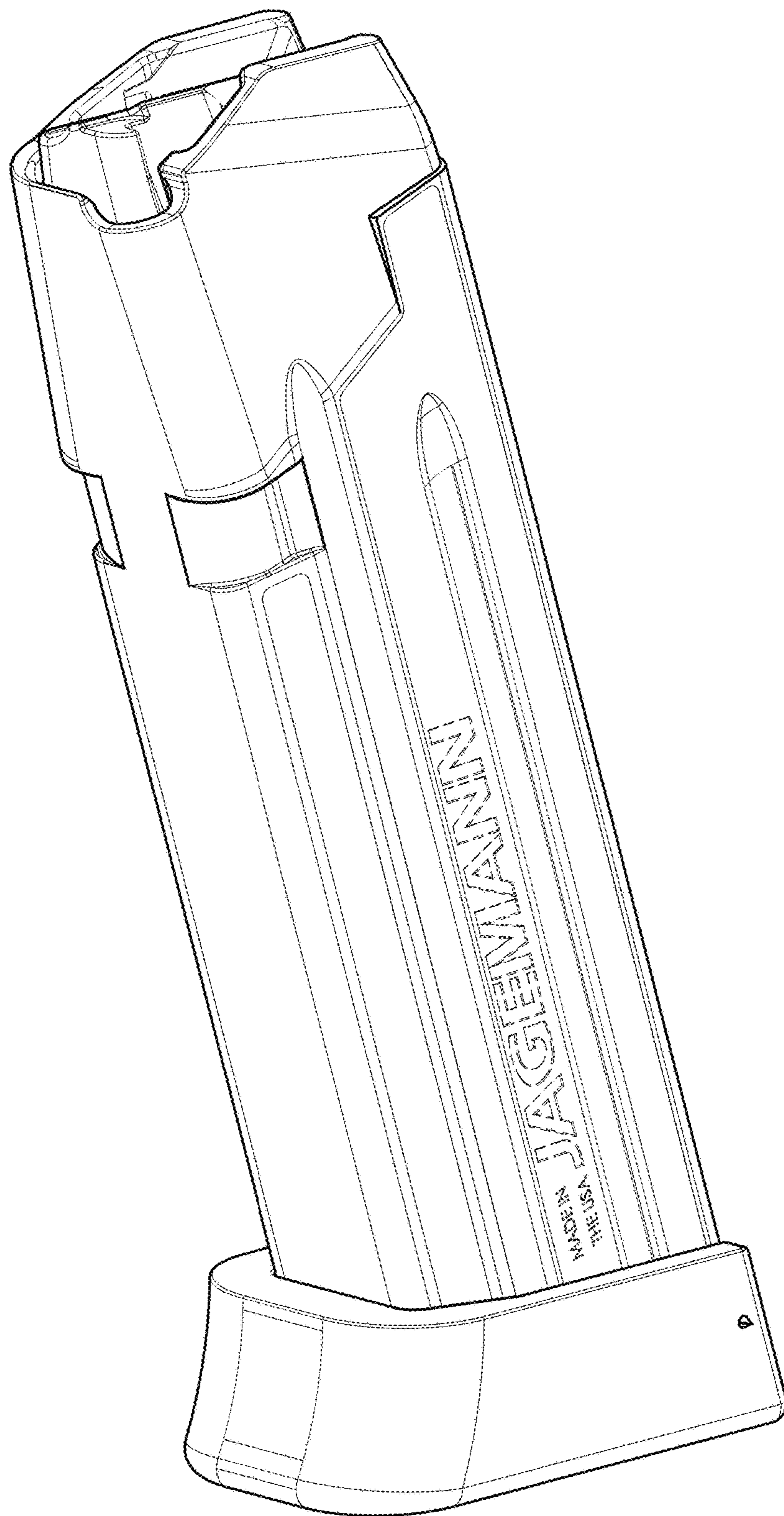


FIG. 1

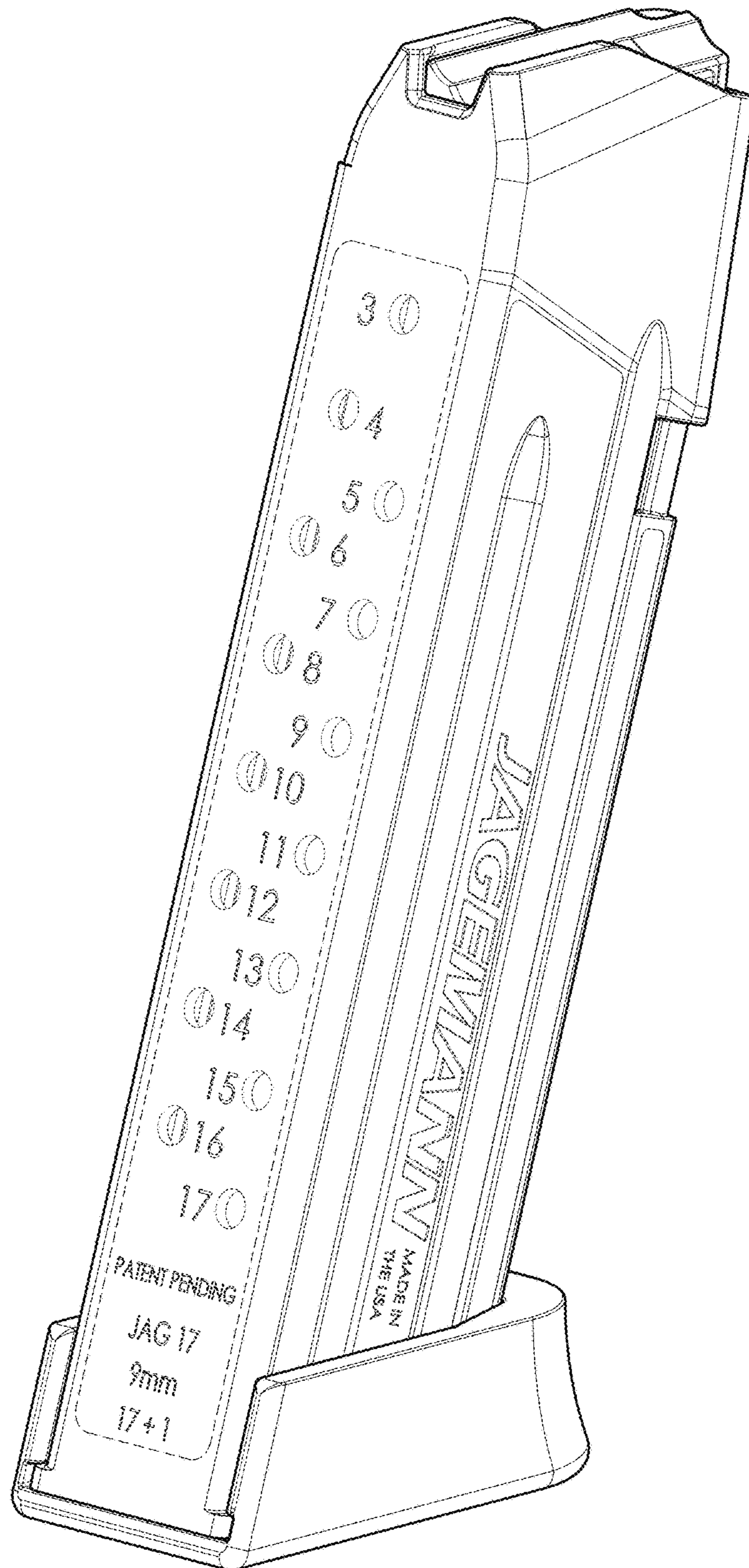


FIG. 2

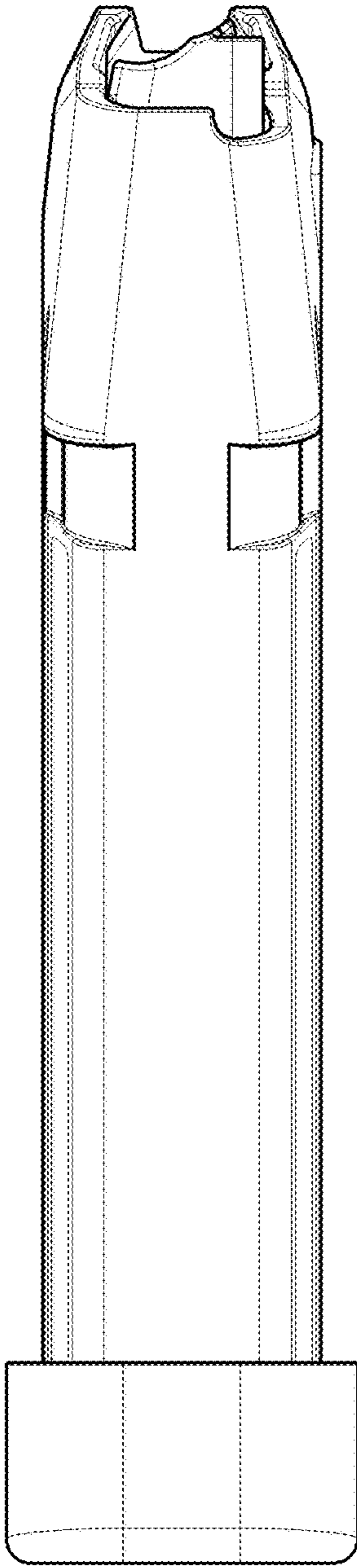


FIG. 3

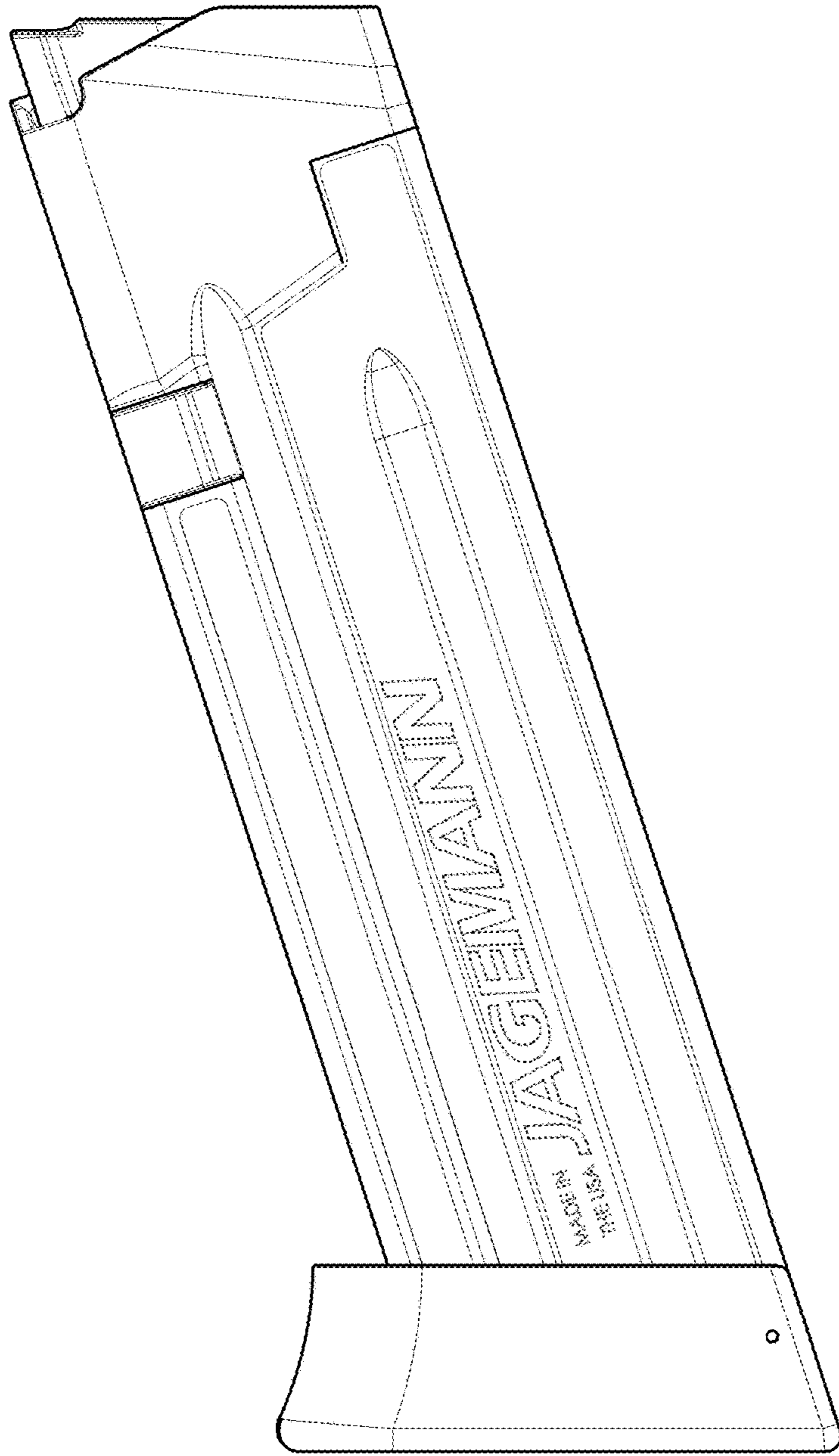


FIG. 4

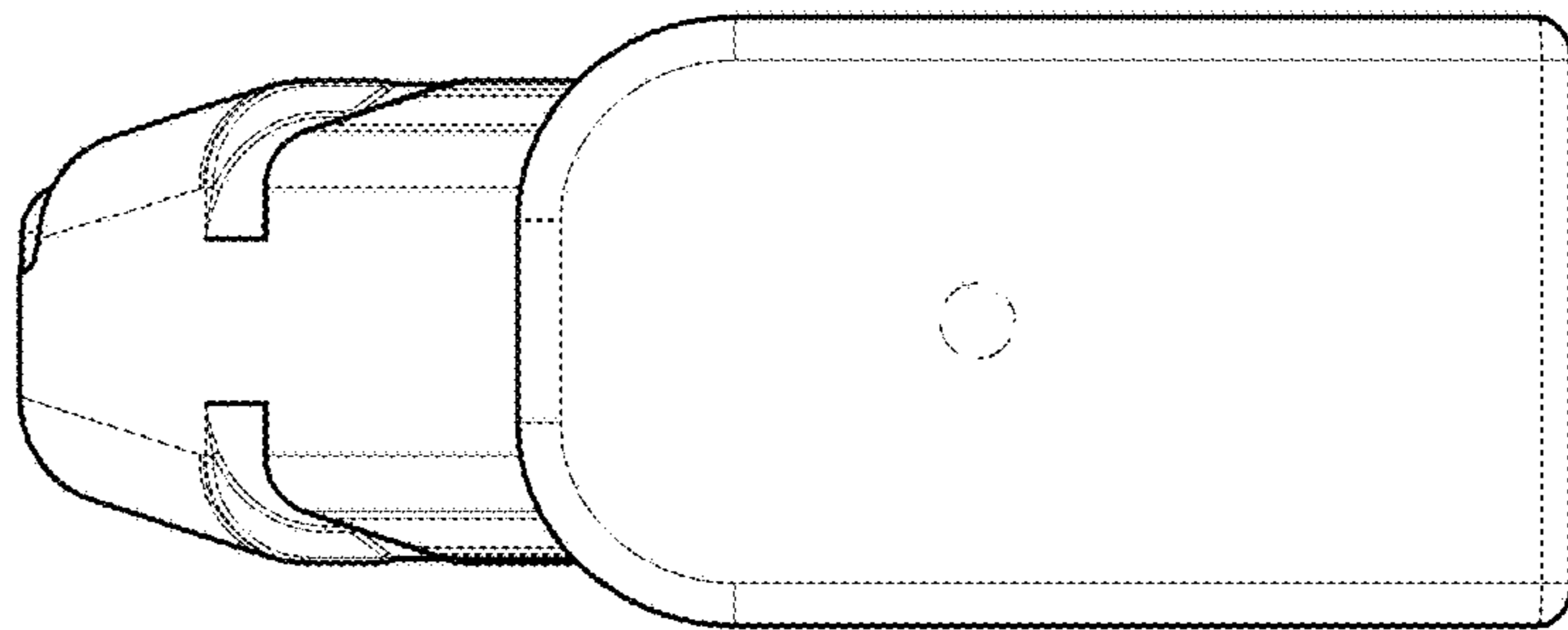


FIG. 5

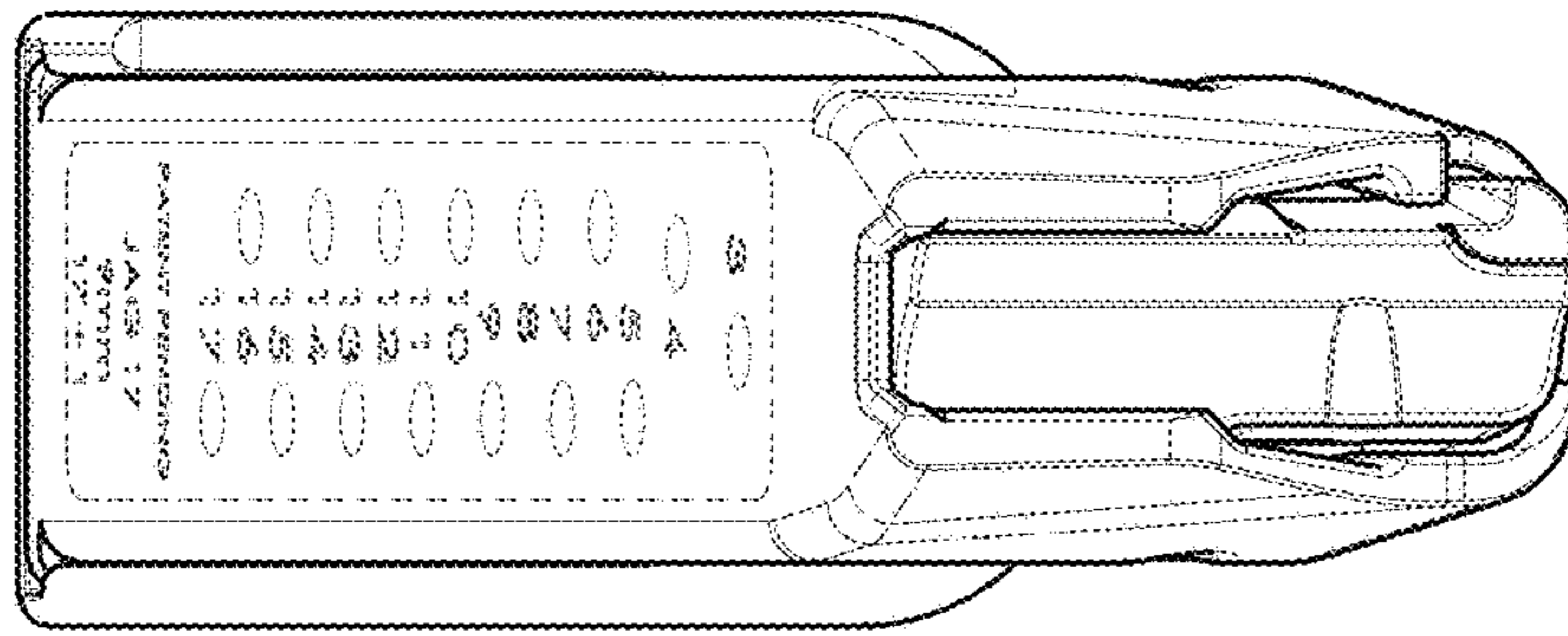


FIG. 6

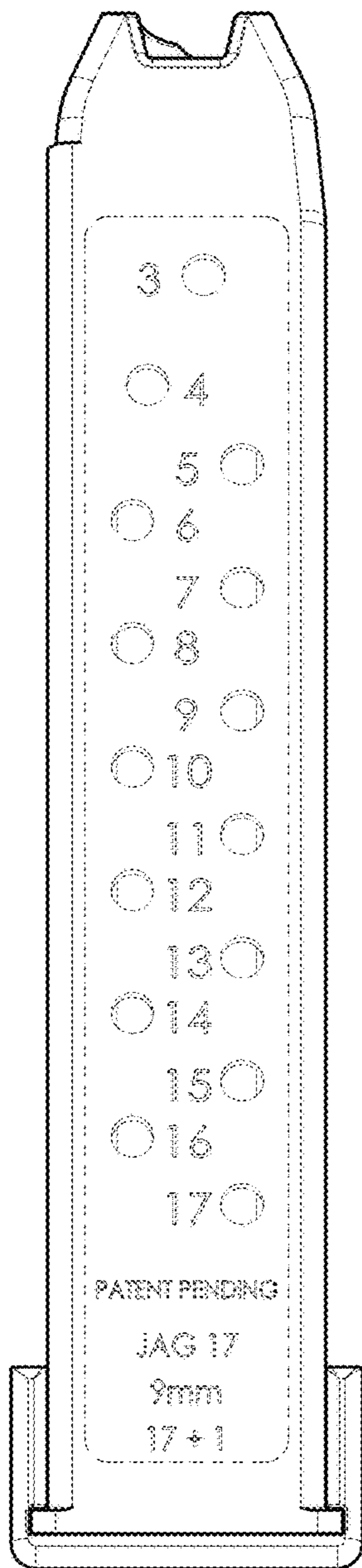


FIG. 7

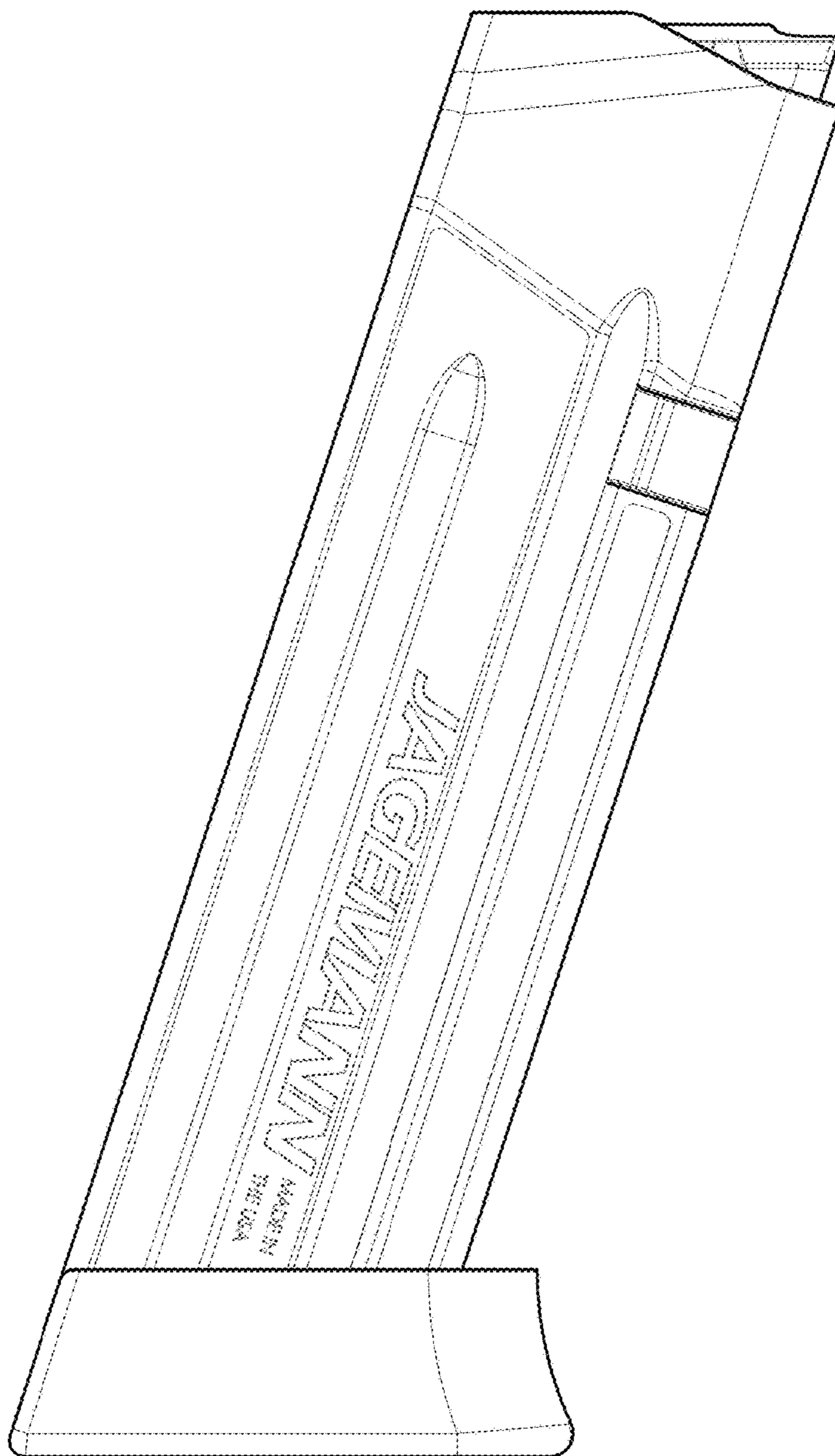


FIG. 8