



US00D783109S

(12) **United States Design Patent** (10) **Patent No.:** **US D783,109 S**
McPherson (45) **Date of Patent:** **** Apr. 4, 2017**

(54) **CROSSBOW TREAD**

(71) Applicant: **MCP IP, LLC**, Sparta, WI (US)

(72) Inventor: **Mathew A. McPherson**, Norwalk, WI (US)

(73) Assignee: **MCP IP, LLC**, Sparta, WI (US)

(**) Term: **15 Years**

(21) Appl. No.: **29/542,765**

(22) Filed: **Oct. 16, 2015**

(51) **LOC (10) Cl.** **22-01**

(52) **U.S. Cl.**
 USPC **D22/107**

(58) **Field of Classification Search**
 USPC D22/107; D21/571, 575
 CPC .. F41B 5/1403; F41B 5/10; F41B 5/14; F41B 5/0031; F41B 5/00; F41B 5/1484; F16F 7/108

See application file for complete search history.

6,651,641 B1	11/2003	Bower et al.
6,901,921 B1	6/2005	Barnett
7,174,884 B2	2/2007	Kempf et al.
7,328,693 B2	2/2008	Kempf
7,363,921 B2	4/2008	Kempf
7,708,001 B2	5/2010	Kempf
7,748,370 B1 *	7/2010	Choma F41B 5/12 124/25
7,832,386 B2	11/2010	Bednar et al.
7,836,871 B2	11/2010	Kempf
7,930,849 B2	4/2011	Abraham et al.
9,285,182 B2 *	3/2016	Bednar F41B 5/1469
2002/0020403 A1	2/2002	Troubridge
2005/0279338 A1	12/2005	Dziekani
2007/0006554 A1	1/2007	Chang
2007/0101631 A1	5/2007	Bentley
2007/0289190 A1	12/2007	Oz
2008/0168969 A1	7/2008	Kempf

(Continued)

Primary Examiner — Michael A Pratt

(57) **CLAIM**

The ornamental design for a crossbow tread, as shown and described.

DESCRIPTION

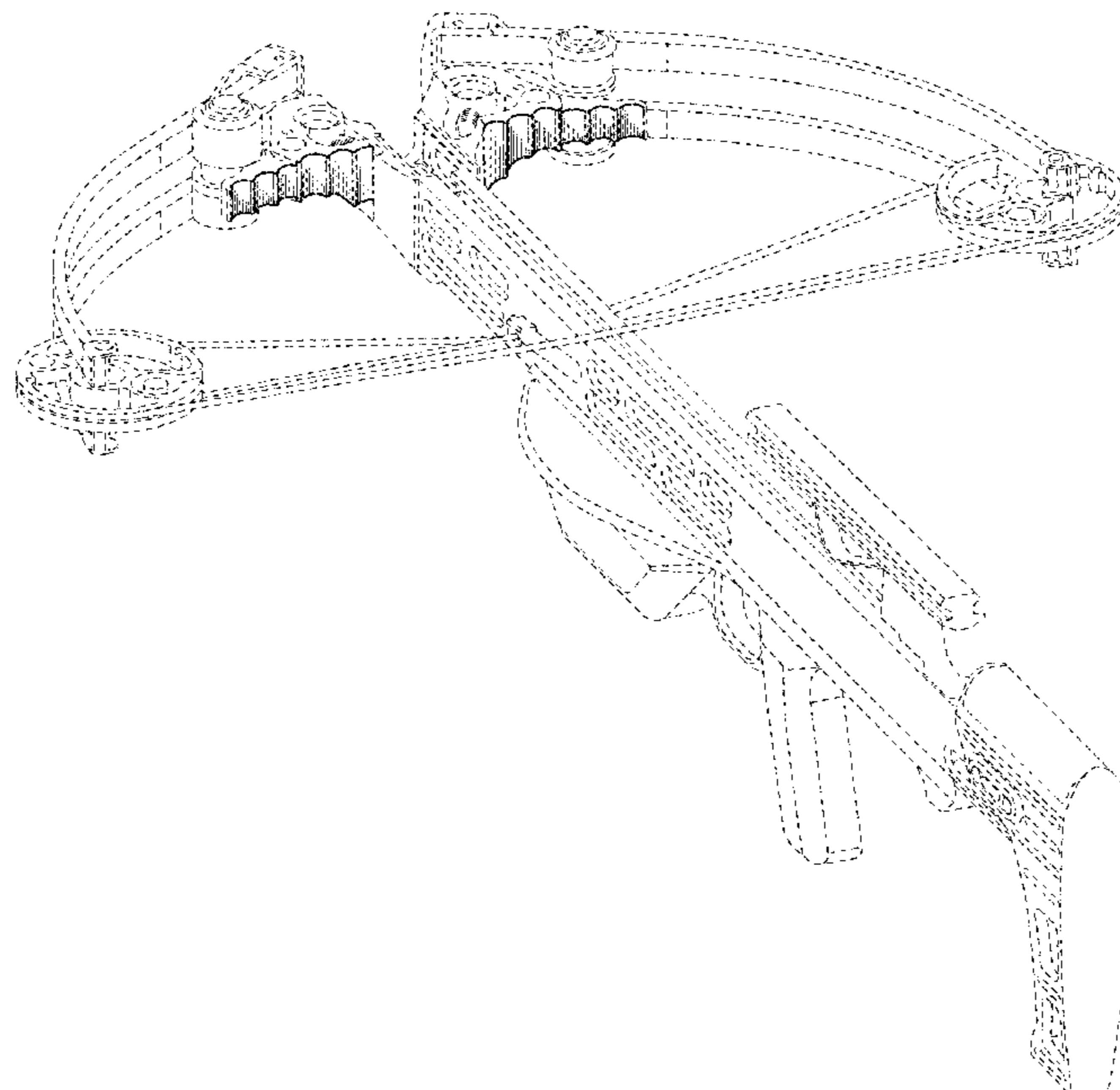
FIG. 1 is an angled isometric view of the crossbow tread.
 FIG. 2 is a front view of the crossbow tread.
 FIG. 3 is a back view of the crossbow tread.
 FIG. 4 is a right side view of the crossbow tread.
 FIG. 5 is a left side view of the crossbow tread.
 FIG. 6 is a top view of the crossbow tread; and,
 FIG. 7 is a bottom view of the crossbow tread.
 The broken lines in the Figures are for illustrative purposes only. The broken lines form no portion of the claimed design.

1 Claim, 6 Drawing Sheets

(56) **References Cited**

U.S. PATENT DOCUMENTS

577,641 A	2/1897	Bruder
2,500,509 A	3/1950	Bailey
2,609,810 A	9/1952	Gruner
D283,637 S	4/1986	Williams
4,587,944 A	5/1986	Barnett
4,649,891 A	3/1987	Bozek
4,693,228 A	9/1987	Simonds et al.
4,722,318 A	2/1988	Yankey
H486 H	7/1988	Savioli
4,879,987 A	11/1989	Nishioka
5,720,268 A	2/1998	Koltze
6,560,911 B2	5/2003	Sharp



(56)

References Cited

U.S. PATENT DOCUMENTS

2009/0194086	A1	8/2009	Kempf	
2010/0116259	A1	5/2010	Popov et al.	
2010/0186728	A1	7/2010	Bednar et al.	
2010/0269807	A1	10/2010	Kempf	
2011/0016764	A1	1/2011	Cales	
2011/0203561	A1	8/2011	Shaffer et al.	
2011/0232619	A1	9/2011	Bednar et al.	
2013/0061836	A1	3/2013	Kempf	
2014/0069404	A1	3/2014	McPherson	
2015/0233664	A1*	8/2015	McPherson	F41B 5/123 124/25

* cited by examiner

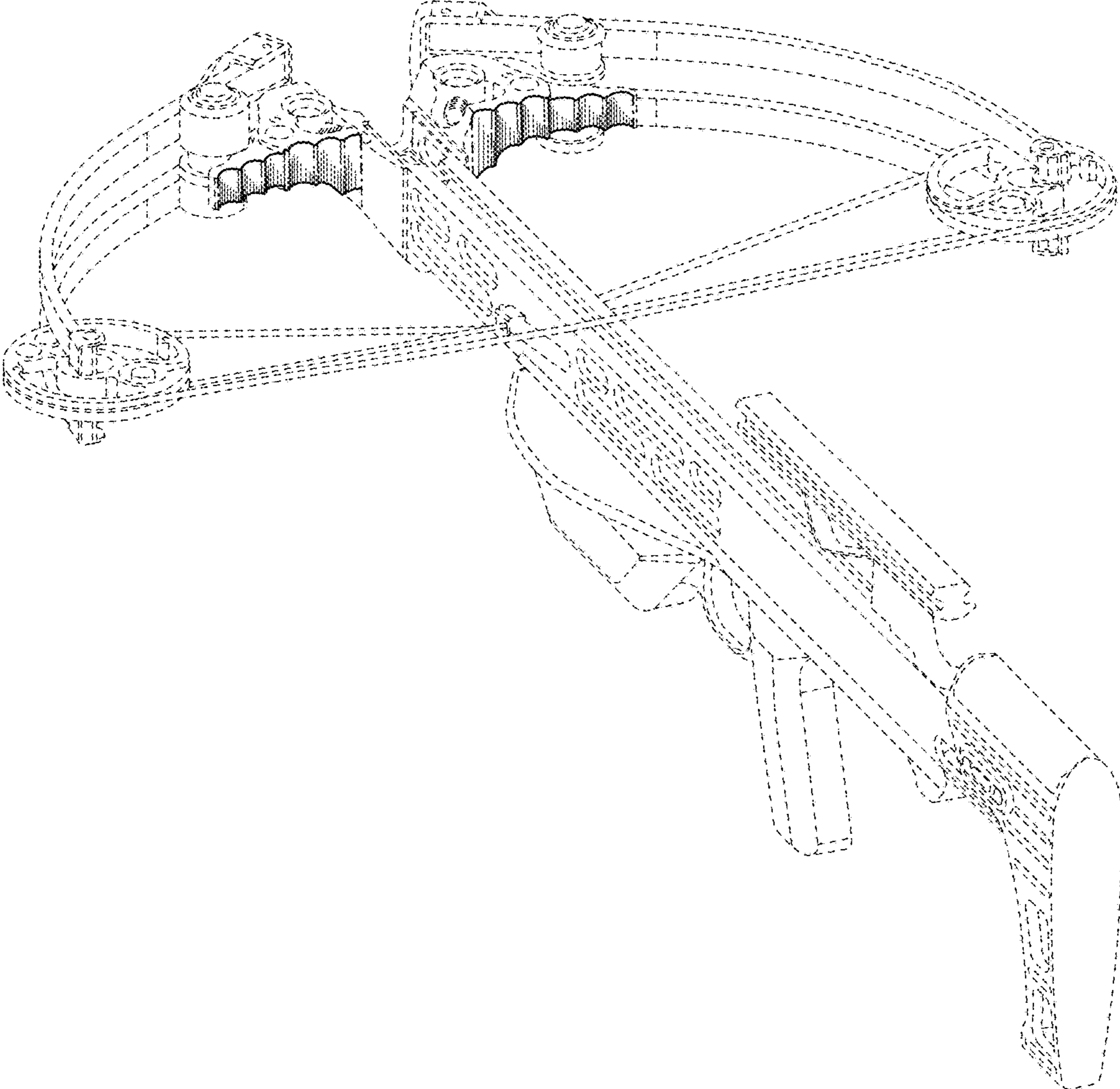


FIG. 1

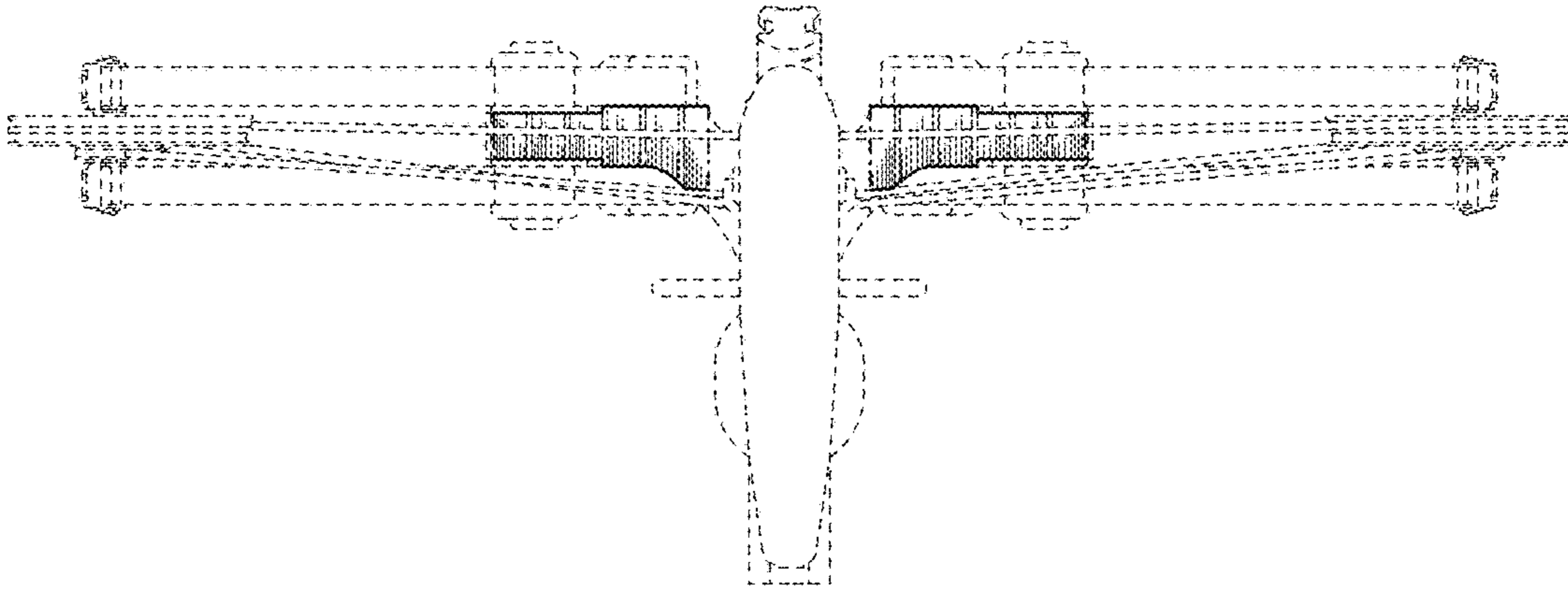


FIG. 2

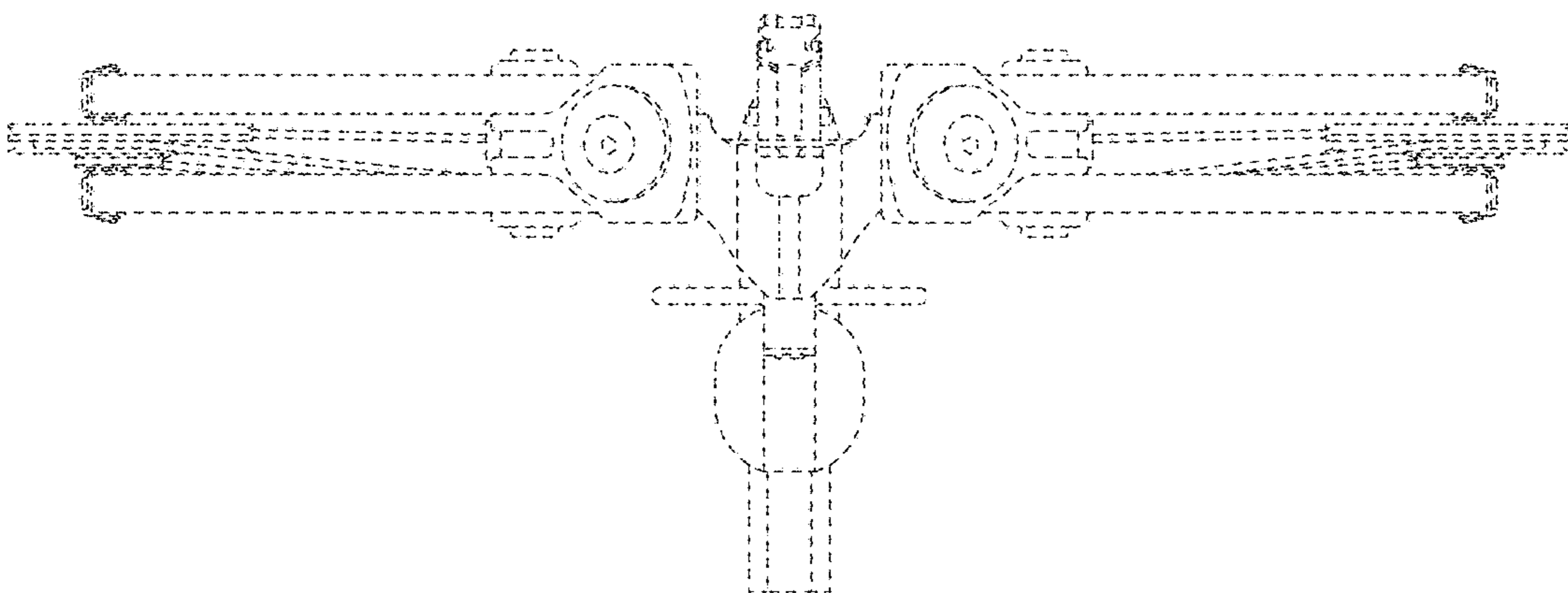


FIG. 3

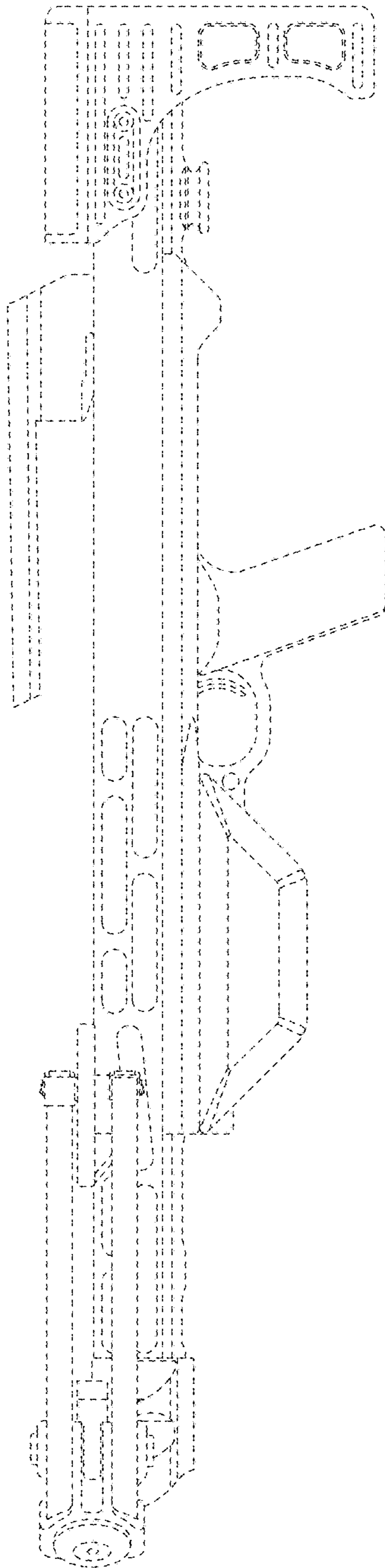


FIG. 4

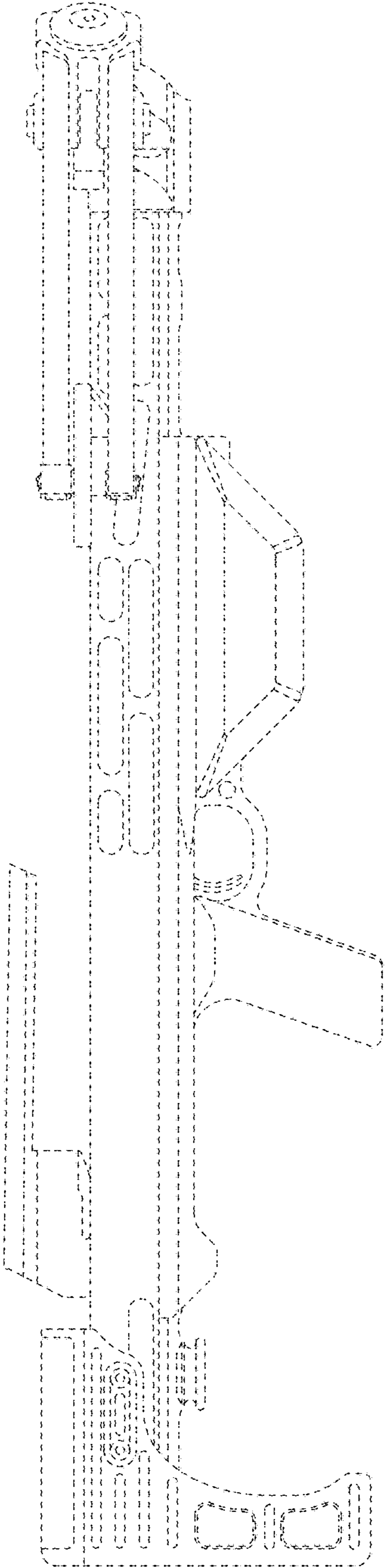


FIG. 5

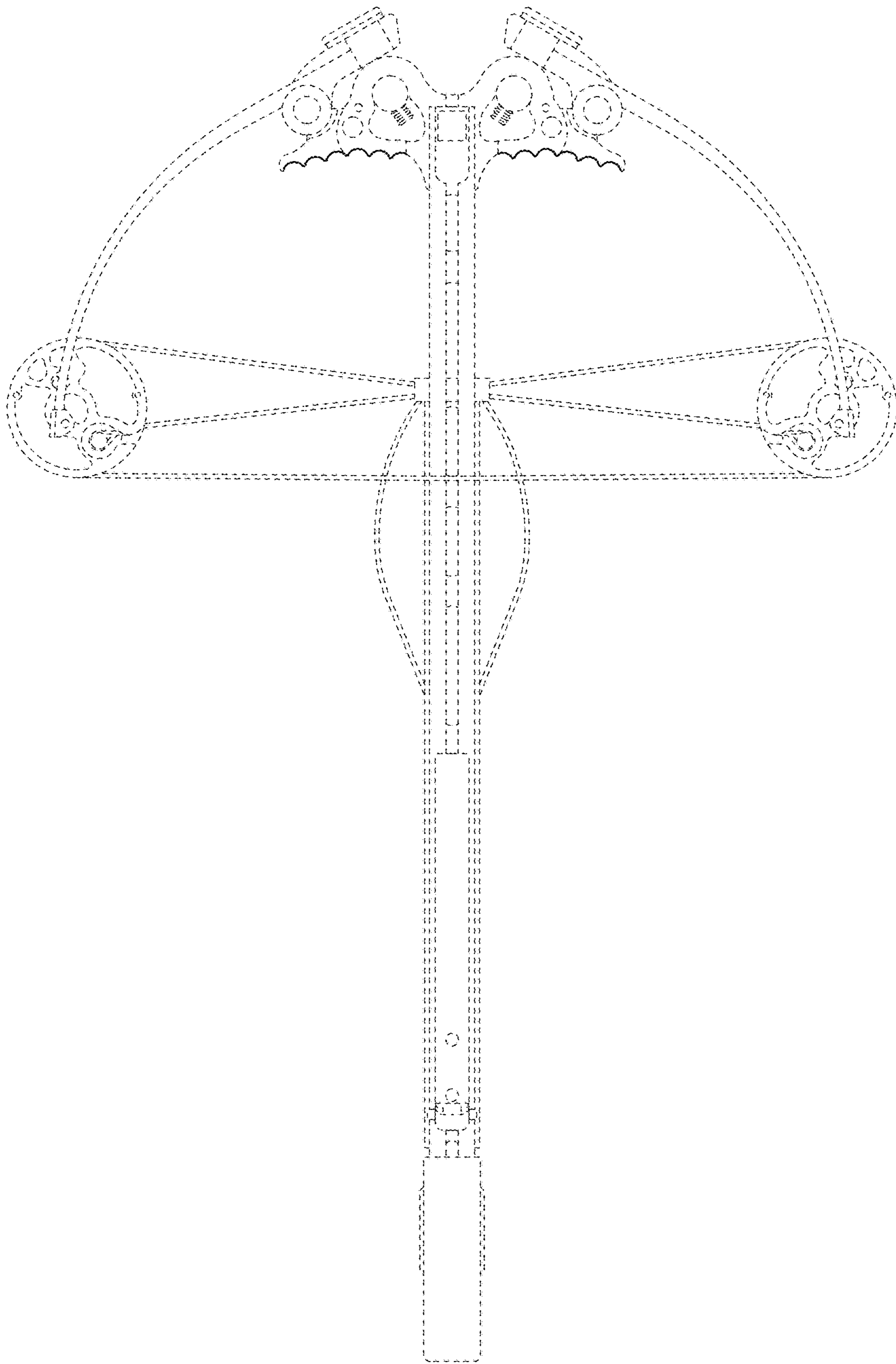


FIG. 6

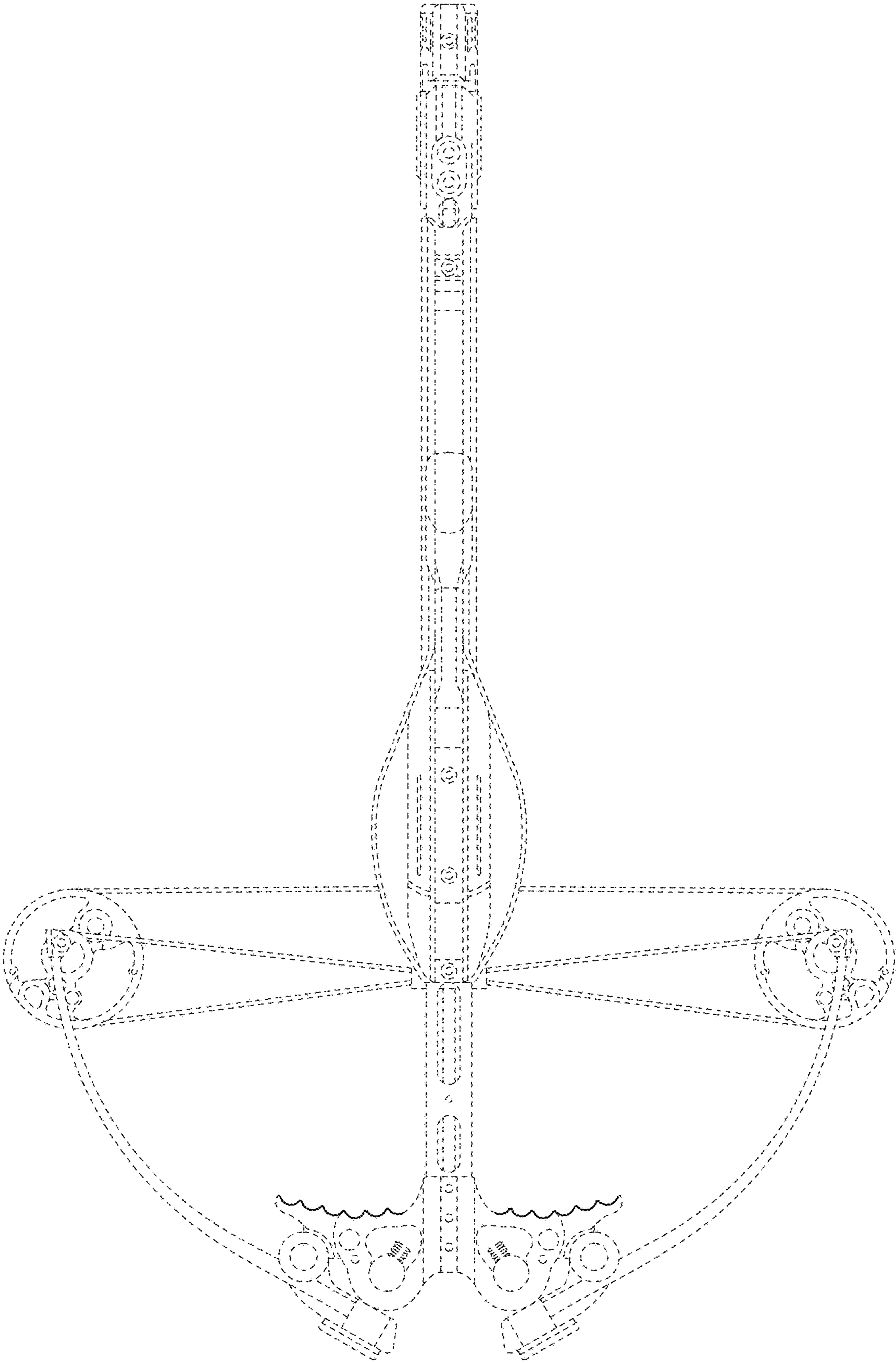


FIG. 7