



US00D783108S

(12) **United States Design Patent** (10) **Patent No.:** **US D783,108 S**
McPherson (45) **Date of Patent:** **** Apr. 4, 2017**

(54) **ARCHERY LIMB CUP**
(71) Applicant: **MCP IP, LLC**, Sparta, WI (US)
(72) Inventor: **Mathew A. McPherson**, Norwalk, WI (US)
(73) Assignee: **MCP IP, LLC**, Sparta, WI (US)
(**) Term: **15 Years**
(21) Appl. No.: **29/542,758**
(22) Filed: **Oct. 16, 2015**
(51) **LOC (10) Cl.** **22-01**
(52) **U.S. Cl.**
USPC **D22/107**
(58) **Field of Classification Search**
USPC D22/107; D21/571, 575
CPC .. F41B 5/1403; F41B 5/10; F41B 5/14; F41B 5/0031; F41B 5/00; F41B 5/1484; F16F 7/108
See application file for complete search history.

5,099,819 A 3/1992 Simonds et al.
5,172,679 A 12/1992 Mussack
5,231,970 A 8/1993 Ploot et al.
5,280,779 A 1/1994 Smith
5,339,790 A 8/1994 Smith
5,368,006 A 11/1994 McPherson
5,377,658 A 1/1995 Shepley, Jr.
5,408,982 A 4/1995 Doornenbal
5,411,008 A 5/1995 Hsu
5,429,106 A 7/1995 Martin et al.
5,433,792 A 7/1995 Darlington
5,464,001 A 11/1995 Peck
5,487,373 A 1/1996 Smith
5,507,270 A 4/1996 Smith
5,515,836 A 5/1996 Martin et al.
5,546,923 A 8/1996 Duncan
5,592,929 A 1/1997 Hoyt, Jr.
5,660,158 A 8/1997 Rudolph
(Continued)

Primary Examiner — Michael A Pratt

(57) **CLAIM**

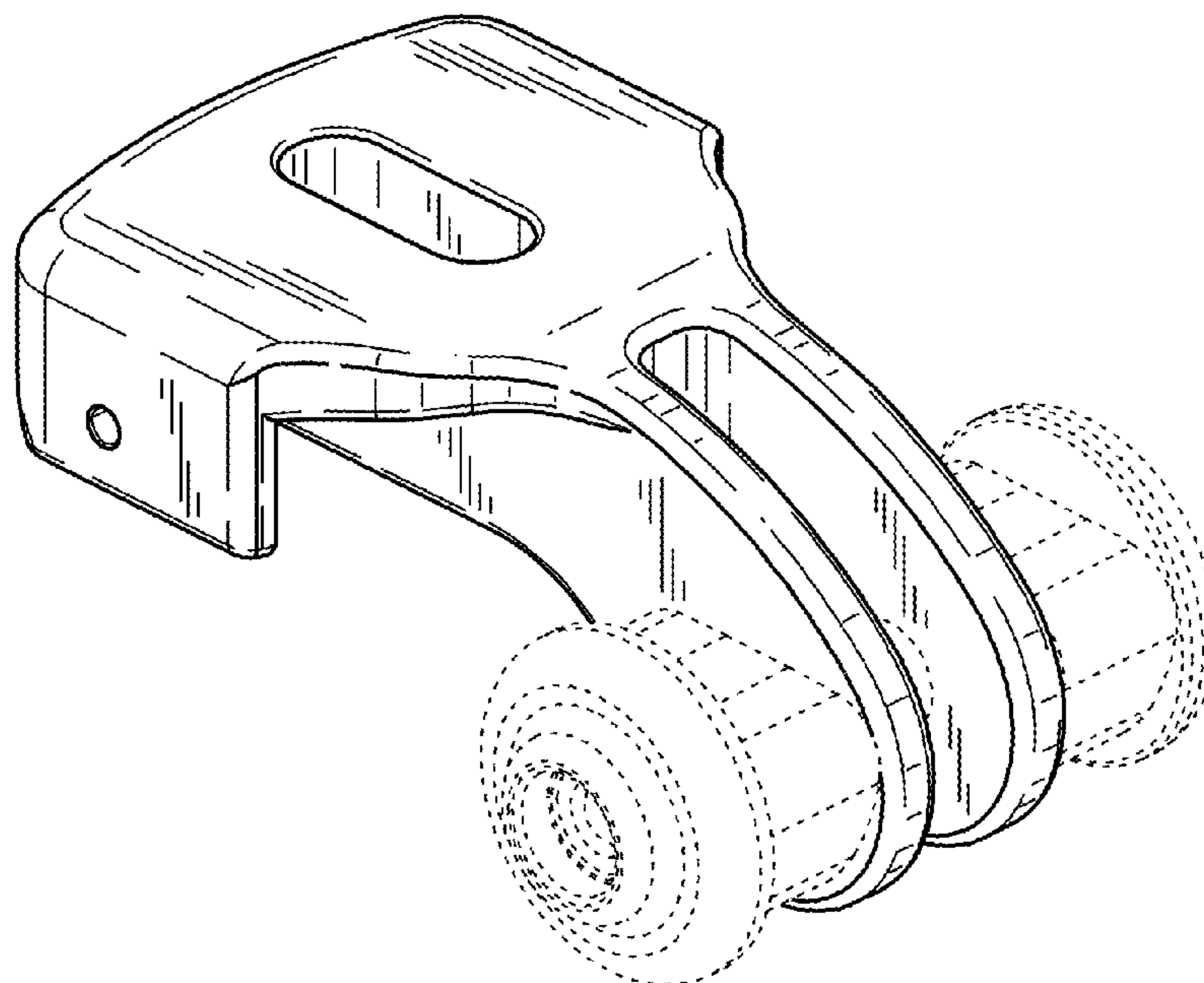
The ornamental design for an archery limb cup, as shown and described.

DESCRIPTION

FIG. 1 is an angled isometric view of the archery limb cup. FIG. 2 is a top view of the archery limb cup. FIG. 3 is a bottom view of the archery limb cup. FIG. 4 is a left side view of the archery limb cup. FIG. 5 is a right side view of the archery limb cup. FIG. 6 is a back view of the archery limb cup; and, FIG. 7 is a front view of the archery limb cup. The broken lines in the Figures are for illustrative purposes only. The broken lines form no portion of the claimed design.

1 Claim, 4 Drawing Sheets

(56) **References Cited**
U.S. PATENT DOCUMENTS
480,879 A 8/1892 Stevenson
RE13,844 E 12/1914 Sawyer
1,371,619 A 3/1921 Greenstreet
3,161,189 A 12/1964 Chessman
3,486,495 A 12/1969 Allen
4,178,905 A 12/1979 Groner
4,261,320 A 4/1981 Barna
4,574,766 A 3/1986 Izuta
4,644,929 A 2/1987 Peck
4,674,468 A 6/1987 Izuta
5,025,774 A 6/1991 Martin



(56)

References Cited

U.S. PATENT DOCUMENTS

5,697,355 A	12/1997	Schaffer	7,584,750 B2	9/2009	Chang	
5,697,358 A	12/1997	Campisi	7,918,218 B1	4/2011	Kronengold et al.	
5,720,267 A	2/1998	Walk	8,047,189 B2	11/2011	McPherson	
5,722,380 A	3/1998	Land et al.	8,069,847 B2	12/2011	Blosser	
5,947,099 A	9/1999	Derus	8,453,635 B1	6/2013	McPherson	
6,024,076 A	2/2000	Laborde et al.	8,701,644 B2	4/2014	McPherson	
6,244,259 B1	6/2001	Adkins	9,285,180 B2	3/2016	McPherson	
6,257,220 B1	7/2001	McPherson et al.	2003/0084893 A1	5/2003	Andrews	
6,267,108 B1	7/2001	McPherson et al.	2004/0077440 A1	4/2004	Kronfeld	
6,360,734 B1	3/2002	Andrews	2004/0112354 A1*	6/2004	McPherson F41B 5/0026
6,371,098 B1	4/2002	Winther				124/23.1
6,470,870 B1	10/2002	Schaar	2008/0072888 A1	3/2008	Chang	
6,543,432 B2	4/2003	Andrews et al.	2008/0127961 A1	6/2008	McPherson	
6,571,785 B1	6/2003	Choma	2008/0156310 A1	7/2008	Leven	
6,712,057 B2	3/2004	Andrews	2008/0236557 A1	10/2008	Budd	
6,786,214 B2	9/2004	Andrews	2009/0071457 A1	3/2009	Gordon et al.	
6,886,549 B2	5/2005	McPherson	2009/0071458 A1	3/2009	Gordon et al.	
6,941,937 B2	9/2005	Wheeler	2009/0145411 A1	6/2009	Sims et al.	
6,964,271 B2	11/2005	Andrews	2009/0241928 A1	10/2009	Blosser	
7,025,051 B1	4/2006	Gallops, Jr.	2010/0263650 A1	10/2010	Dahl, II et al.	
7,077,116 B1	7/2006	Darlington	2015/0226511 A1*	8/2015	Chang F41B 5/1426
7,308,890 B1	12/2007	Wheeler				124/23.1
7,334,575 B2	2/2008	McPherson	2015/0233664 A1*	8/2015	McPherson F41B 5/123
						124/25
			2016/0341511 A1*	11/2016	McPherson F41B 5/105

* cited by examiner

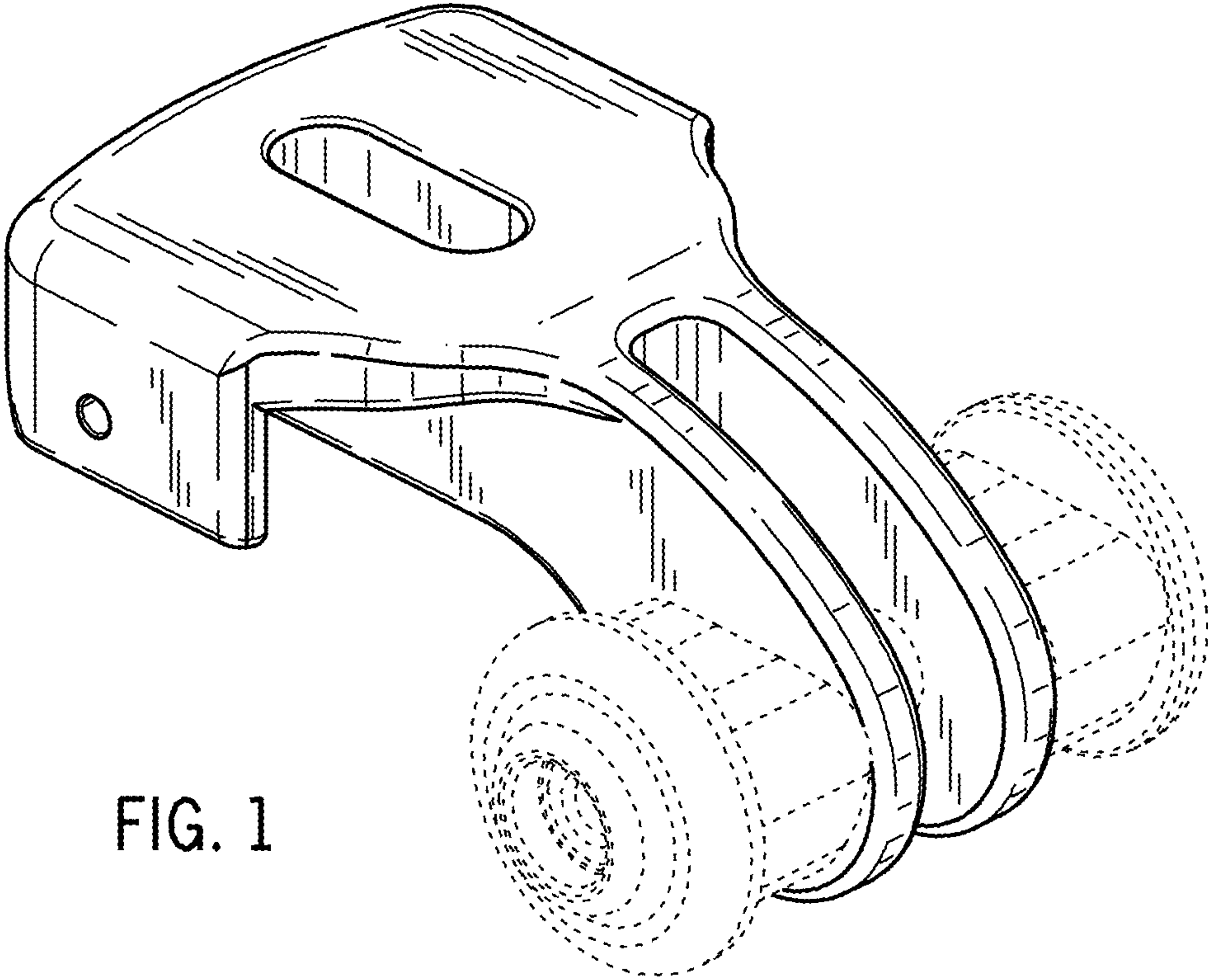
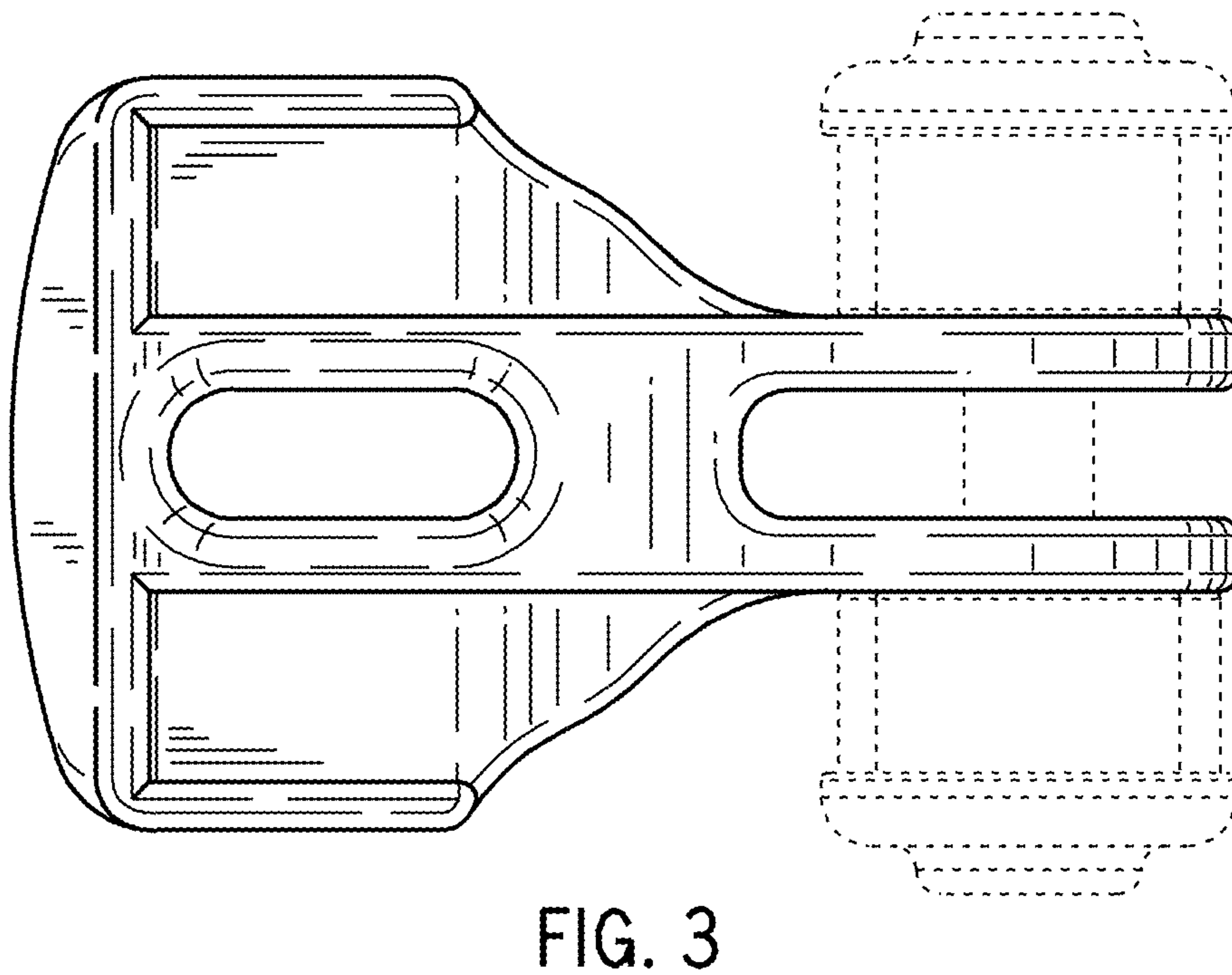
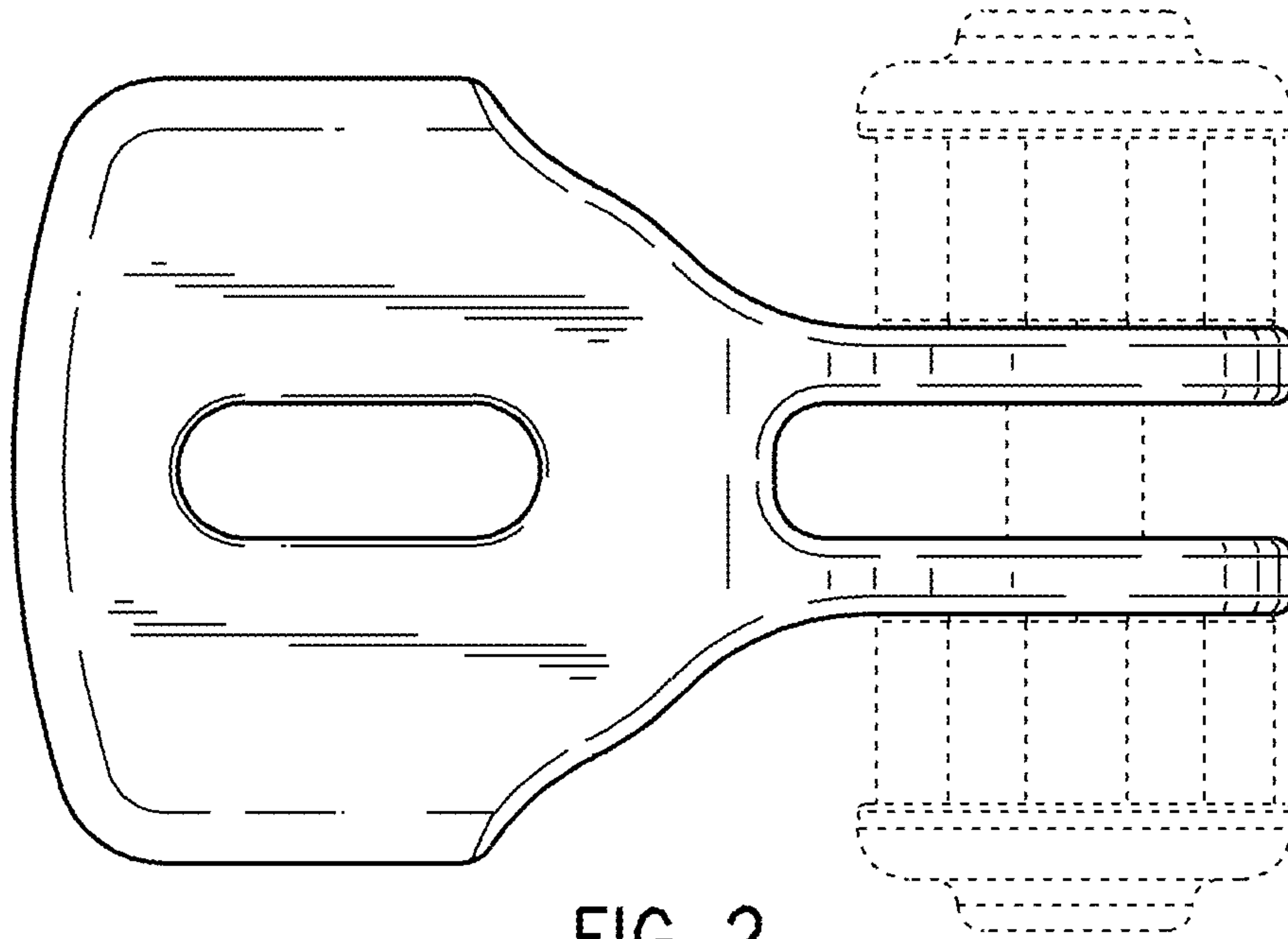


FIG. 1



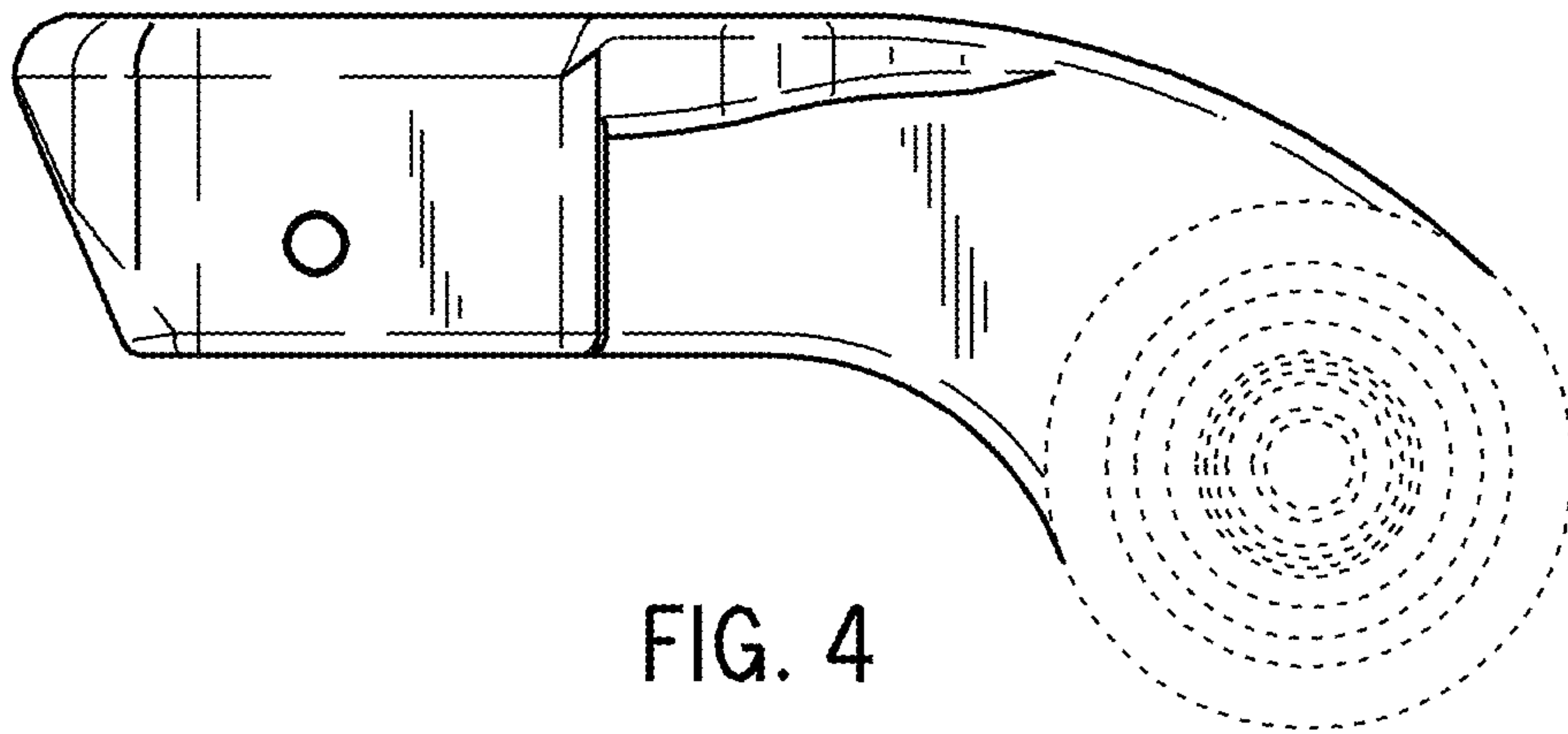


FIG. 4

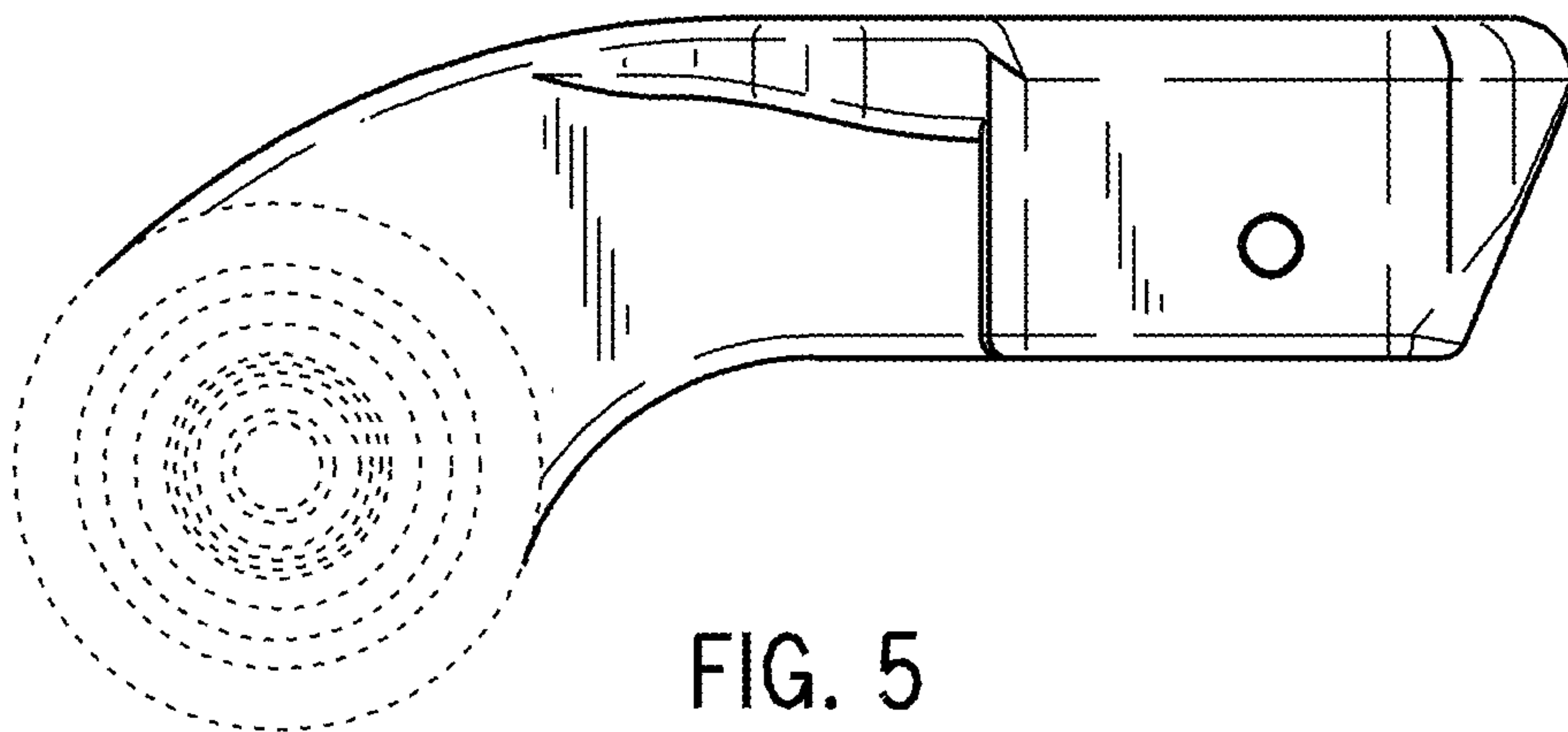


FIG. 5

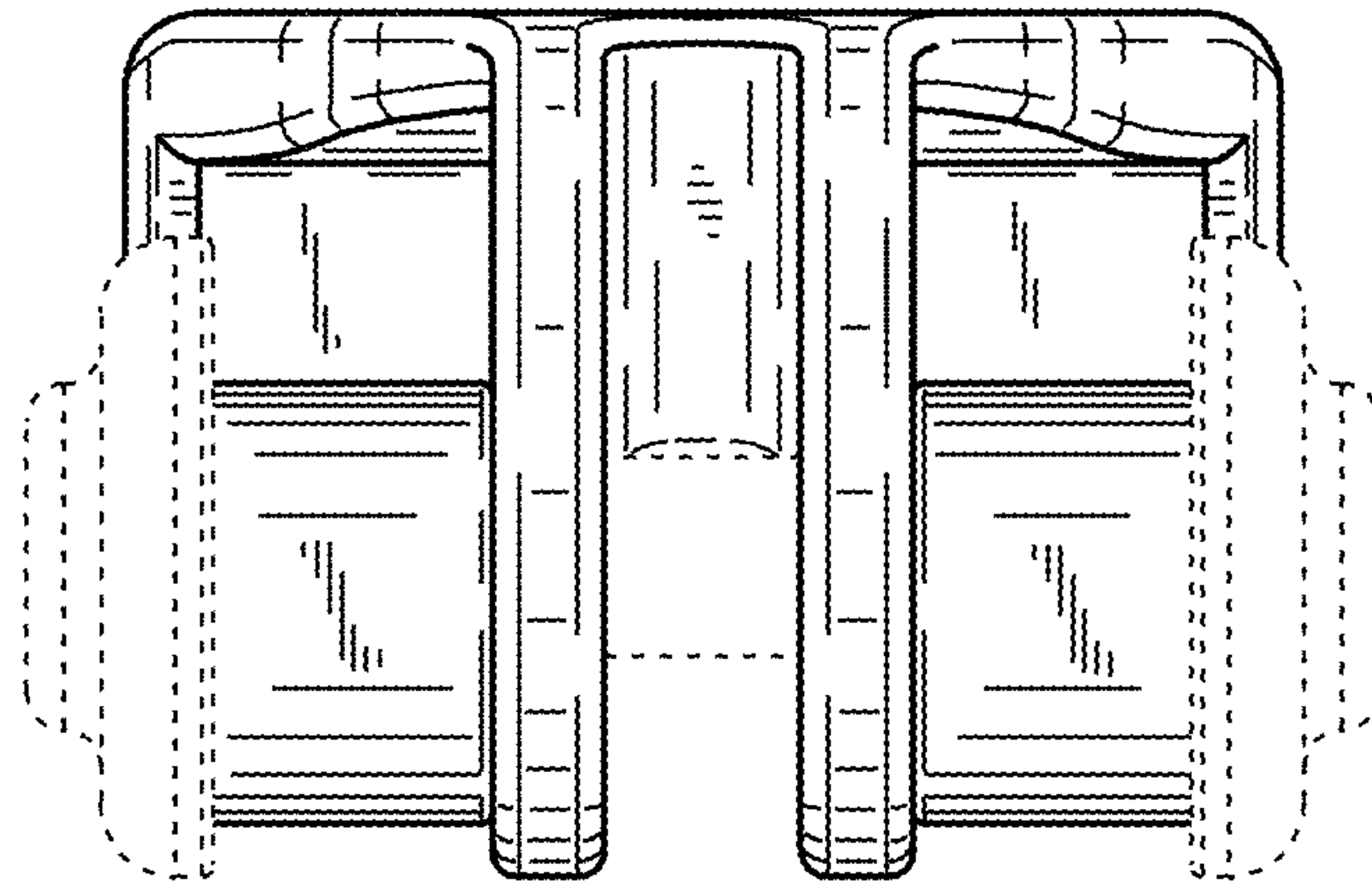


FIG. 6

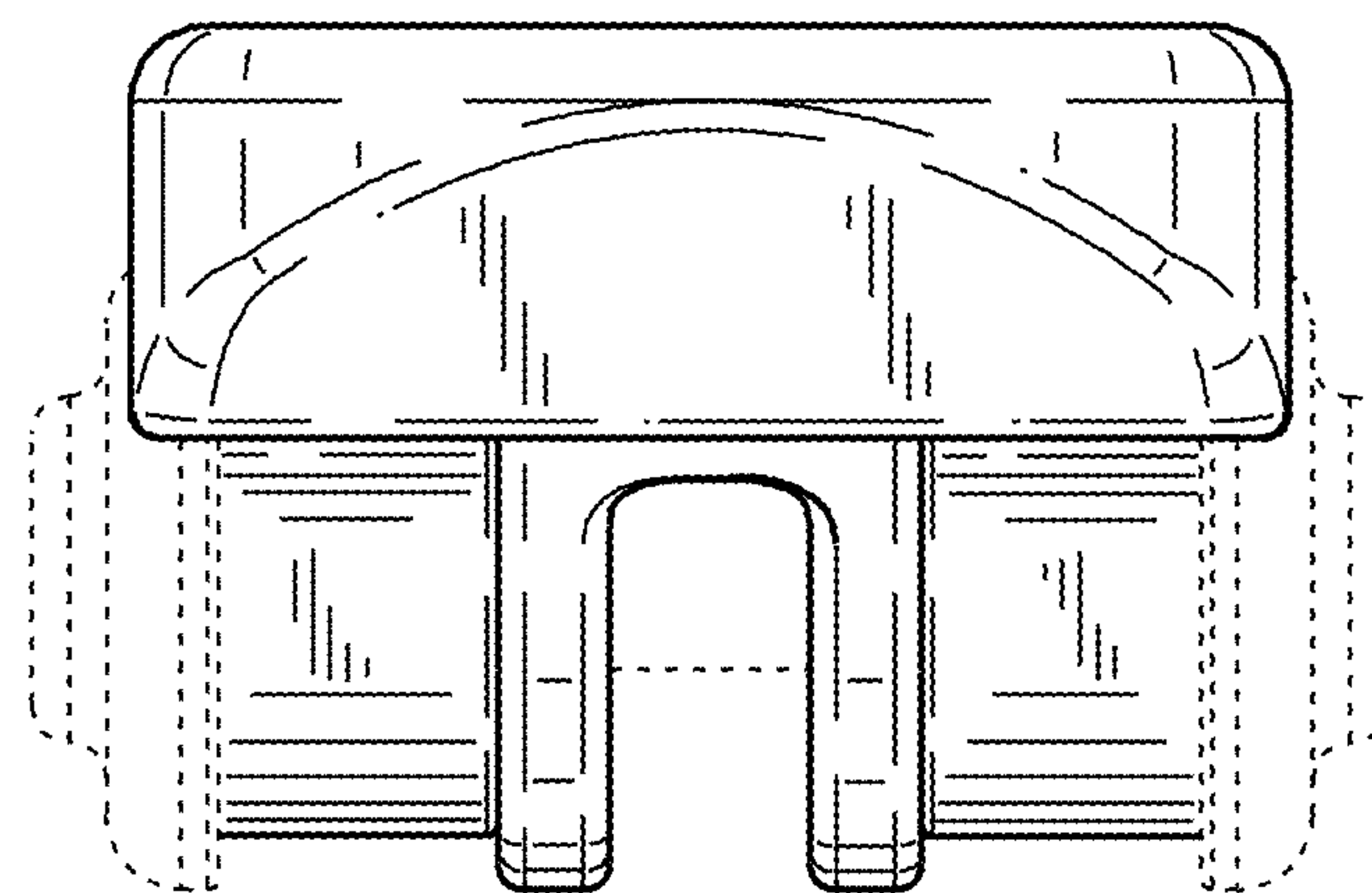


FIG. 7