



US00D783105S

(12) **United States Design Patent** (10) **Patent No.:** **US D783,105 S**
Oyler (45) **Date of Patent:** **** Apr. 4, 2017**

(54) **GOLF CLUB HEAD**
(71) Applicant: **Golf Tailor, LLC**, Edmond, OK (US)
(72) Inventor: **Tim Oyler**, Edmond, OK (US)
(73) Assignee: **Golf Tailor, LLC**, Edmond, OK (US)
(**) Term: **15 Years**
(21) Appl. No.: **29/580,401**
(22) Filed: **Oct. 7, 2016**
(51) **LOC (10) Cl.** **21-02**
(52) **U.S. Cl.**
USPC **D21/752**
(58) **Field of Classification Search**
USPC D21/733, 752, 759
CPC A63B 53/00; A63B 53/04; A63B 53/0466;
A63B 2053/002; A63B 2053/0433; A63B
2053/0437; A63B 2053/0491
See application file for complete search history.

D579,064 S * 10/2008 Beach D21/752
D579,065 S * 10/2008 Yi D21/752
D579,066 S * 10/2008 Dipert D21/752
D579,067 S * 10/2008 Hoffman D21/752
(Continued)

FOREIGN PATENT DOCUMENTS

CN 3210548D 11/2001
CN 3582615D 11/2006
(Continued)

Primary Examiner — Mitchell Siegel
(74) *Attorney, Agent, or Firm* — Caesar Rivise, PC

(57) **CLAIM**

The ornamental design for the golf club head, as shown and described.

DESCRIPTION

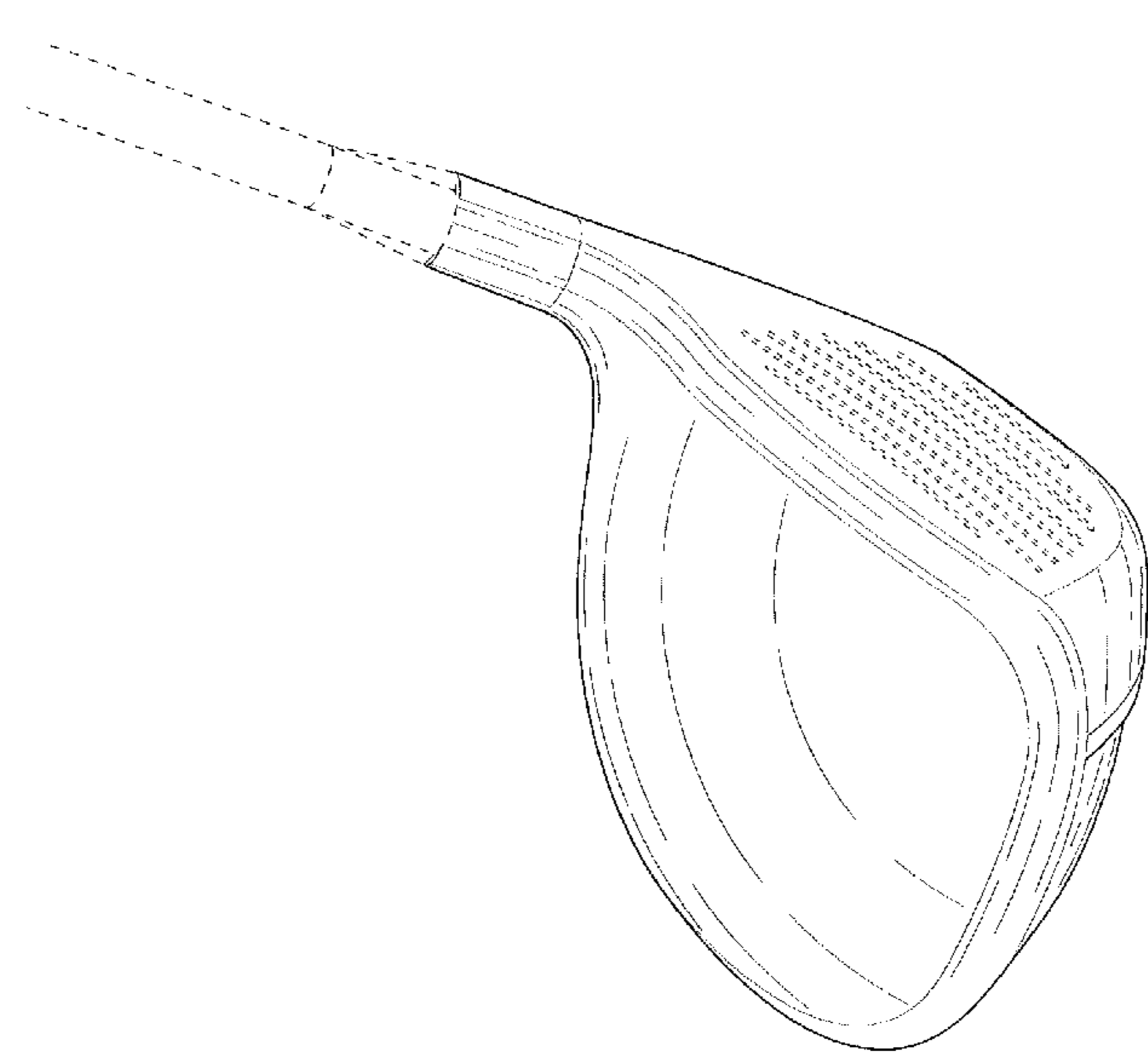
FIG. 1 is a front isometric view of a golf club head showing my new design;
FIG. 2 is a top isometric view of the golf club head of FIG. 1;
FIG. 3 is a left side elevation view of the golf club head of FIG. 1;
FIG. 4 is a right side elevation view of the golf club head of FIG. 1;
FIG. 5 is a rear elevation view of the golf club head of FIG. 1;
FIG. 6 is a front elevation view of the golf club head of FIG. 1;
FIG. 7 is top plan view of a set of golf club head of FIG. 1; and,
FIG. 8 is a bottom plan view of the golf club head of FIG. 1.
The features shown in broken lines in the drawing depict portions of the design that form no part of the claimed design.

(56) **References Cited**

U.S. PATENT DOCUMENTS

D398,682 S 9/1998 Moore
D401,299 S 11/1998 Burrows
D418,183 S 12/1999 Takaoka et al.
D438,583 S 3/2001 O'Doherty et al.
D438,922 S 3/2001 Asabuki
D441,818 S 5/2001 Sato
D558,288 S * 12/2007 Jertson D21/752
D561,853 S 2/2008 Haralson et al.
D562,421 S * 2/2008 Jertson D21/752
D564,055 S * 3/2008 Jertson D21/752
D569,465 S * 5/2008 Yi D21/752
D569,934 S * 5/2008 Jertson D21/752
D569,935 S * 5/2008 Schweigert D21/752
D570,937 S * 6/2008 Schweigert D21/752
D570,938 S * 6/2008 Jertson D21/752
D578,587 S * 10/2008 Hoffman D21/752

1 Claim, 5 Drawing Sheets



(56)

References Cited

FOREIGN PATENT DOCUMENTS

U.S. PATENT DOCUMENTS

D580,504 S	*	11/2008	Bosilkovski	D21/752
D585,101 S	*	1/2009	Glod	D21/752
D598,510 S	*	8/2009	Barez	D21/752
D615,139 S		5/2010	Kim et al.	
D617,403 S	*	6/2010	Llewellyn	D21/752
D617,858 S	*	6/2010	Llewellyn	D21/752
D618,745 S	*	6/2010	Breier	D21/752
D637,671 S	*	5/2011	Kim	D21/752
D641,818 S	*	7/2011	Foster	D21/752
D647,583 S	*	10/2011	Foster	D21/752
D647,584 S	*	10/2011	Foster	D21/752
D652,095 S	*	1/2012	Kim	D21/752
D652,880 S	*	1/2012	Foster	D21/752
D656,210 S	*	3/2012	Foster	D21/752
D663,370 S	*	7/2012	Kim	D21/752
D669,547 S	*	10/2012	Kim	D21/752
D673,232 S	*	12/2012	Kim	D21/752
D681,757 S	*	5/2013	Foster	D21/752

CN	3624290D	3/2007
CN	3643759D	5/2007
CN	36434760D	5/2007
CN	300706726D	11/2007
CN	300828316D	9/2008
CN	300868203D	12/2008
CN	300897424D	3/2009
CN	300925138D	5/2009
CN	300936653D	6/2009
CN	300998462D	9/2009
CN	301005868D	9/2009
CN	301014169D	9/2009
CN	301219322 S	5/2010
CN	301458040 S	2/2011
CN	301906999 S	5/2012
CN	302203482 S	11/2012
CN	302342357 S	3/2013
CN	302773303 S	3/2014
CN	302944574 S	9/2014
CN	303199244 S	5/2015

* cited by examiner

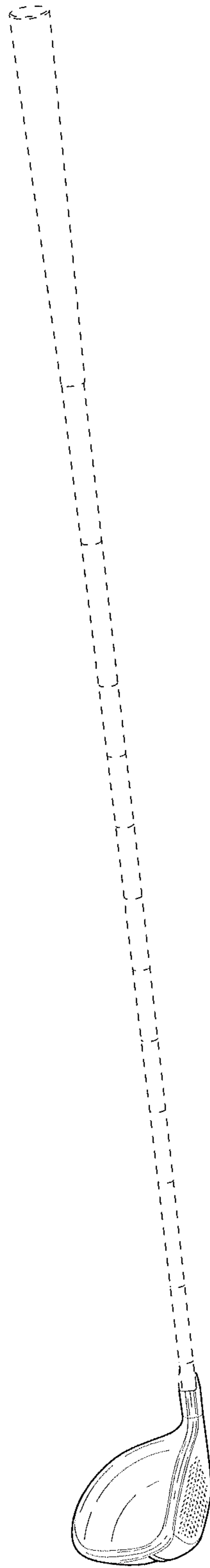


FIG. 1

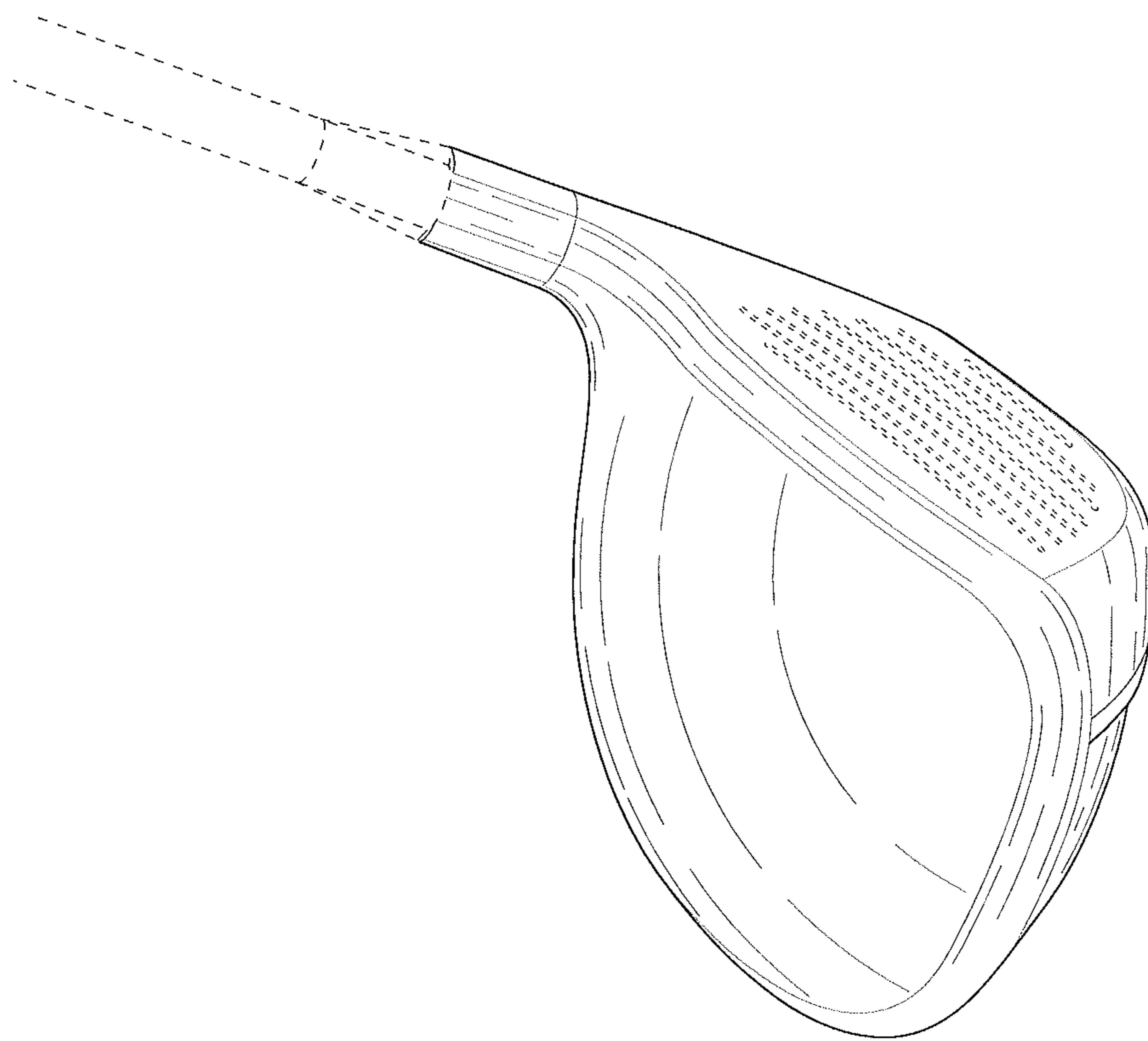


FIG. 2

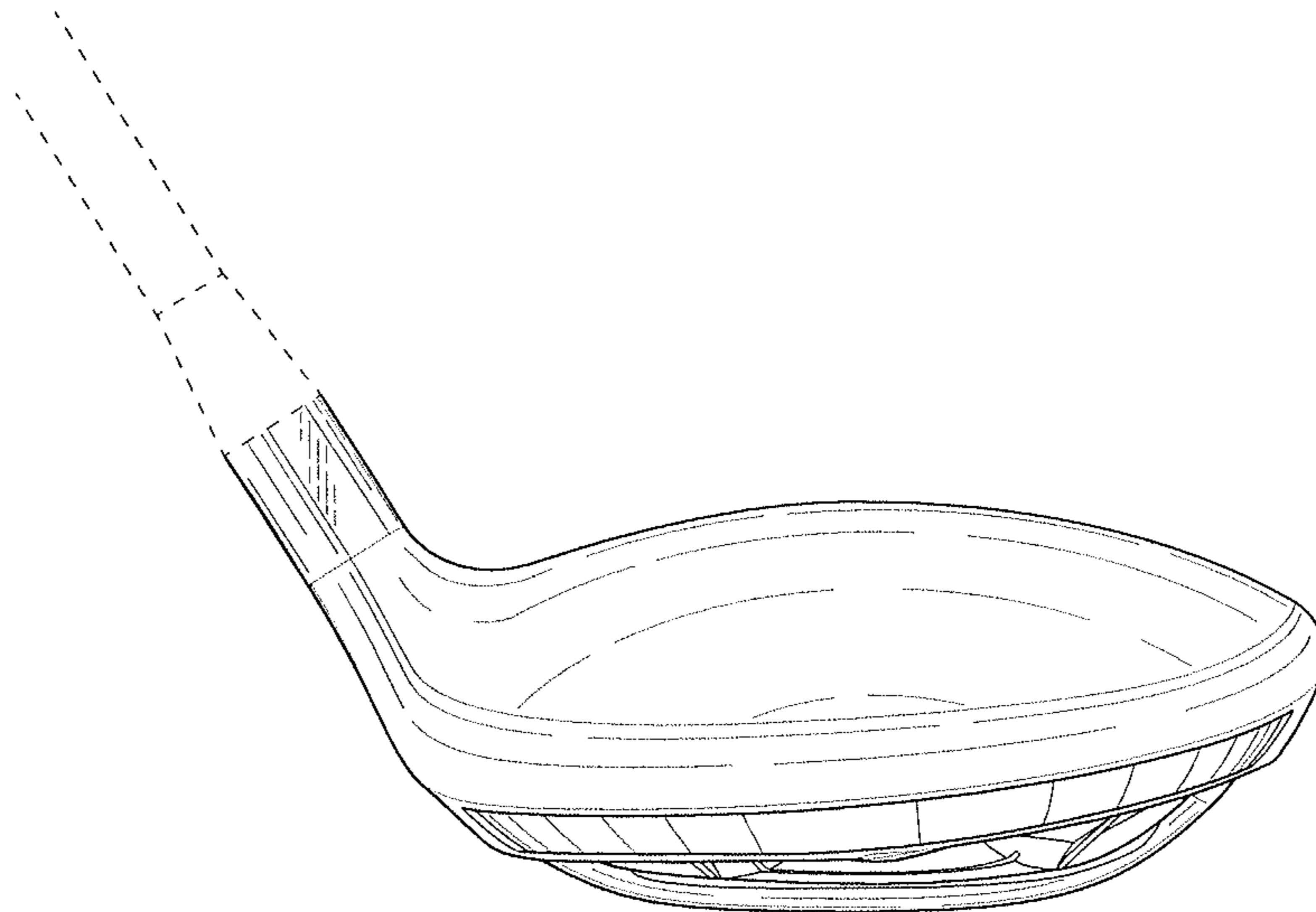


FIG. 3

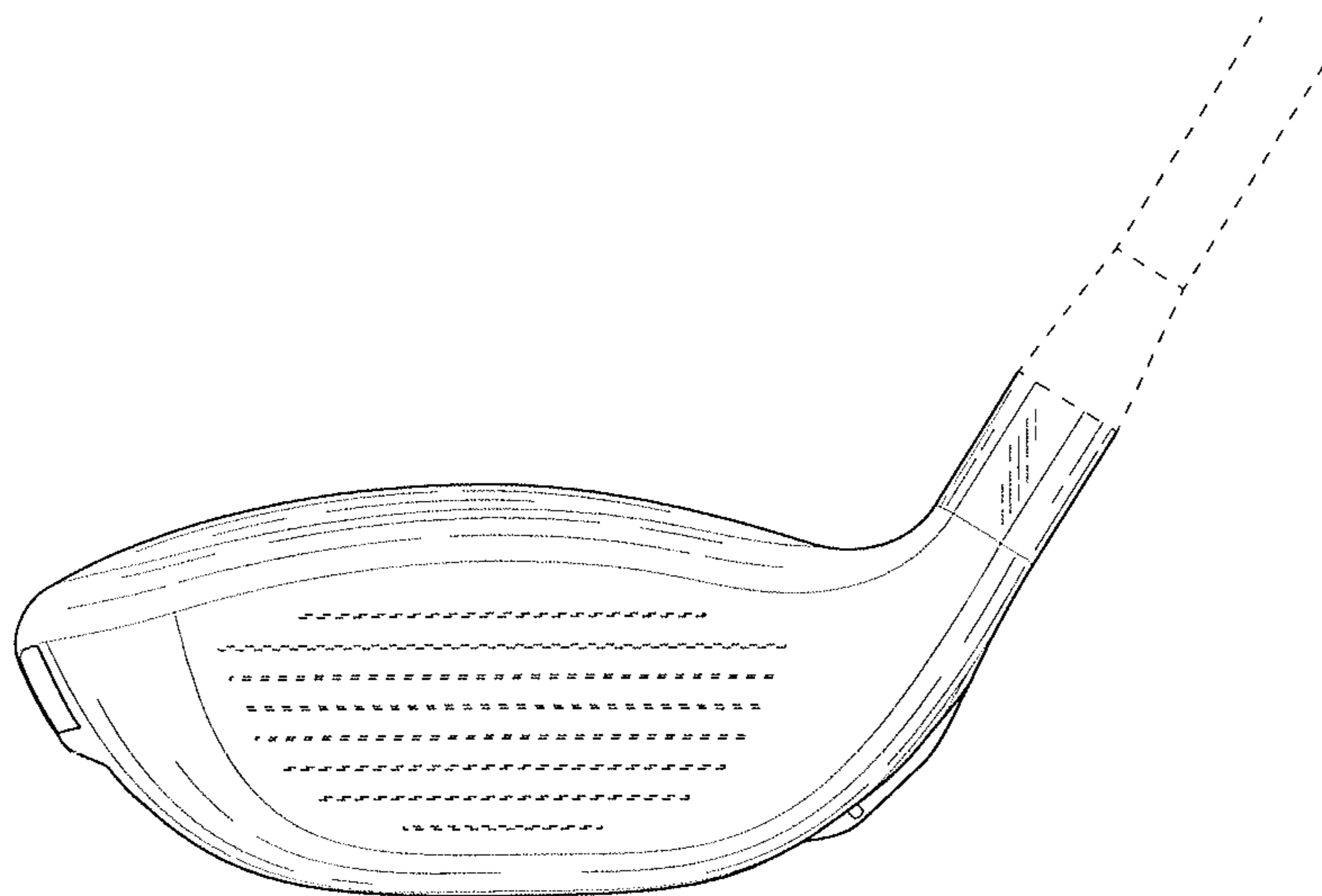


FIG. 4

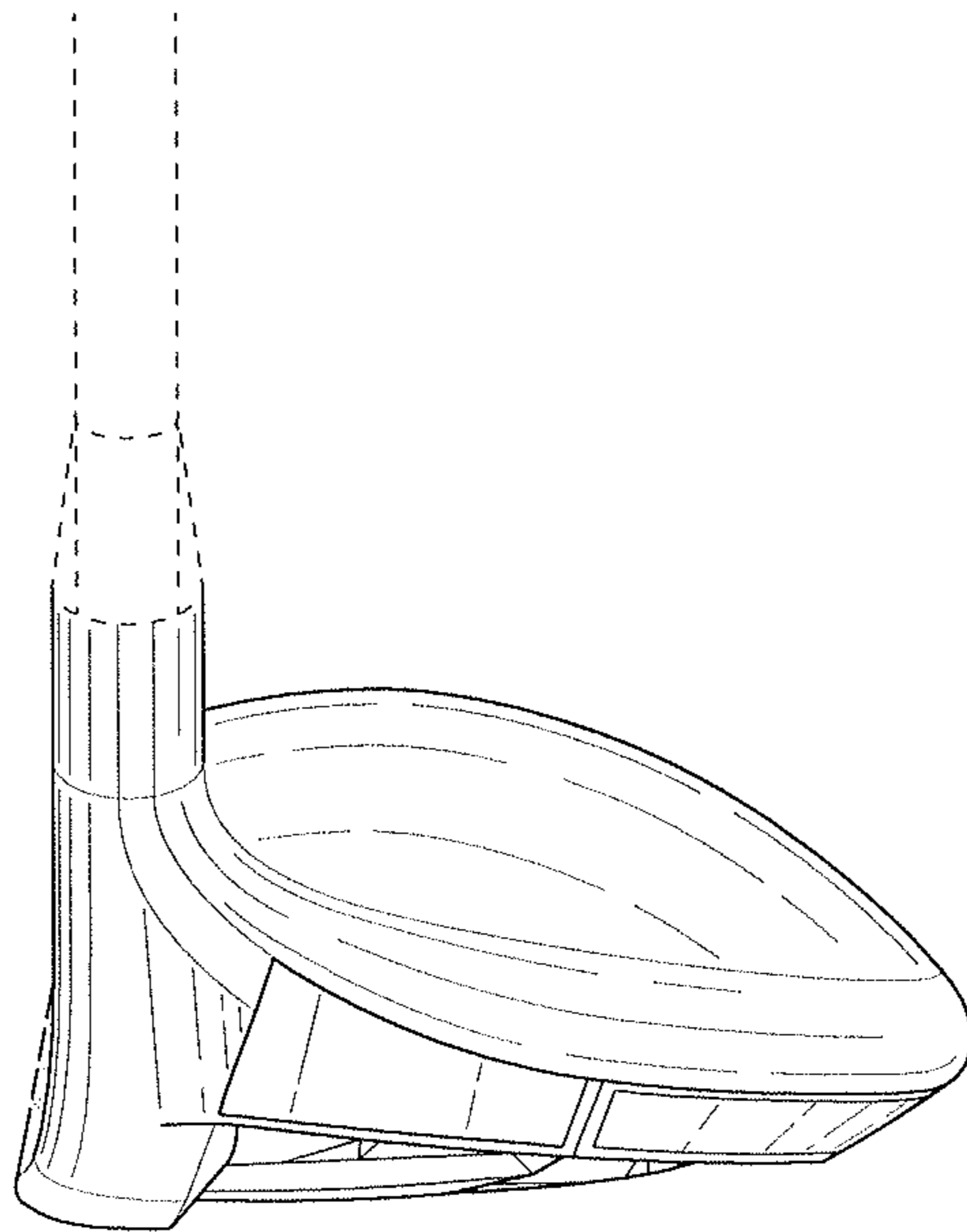


FIG. 5

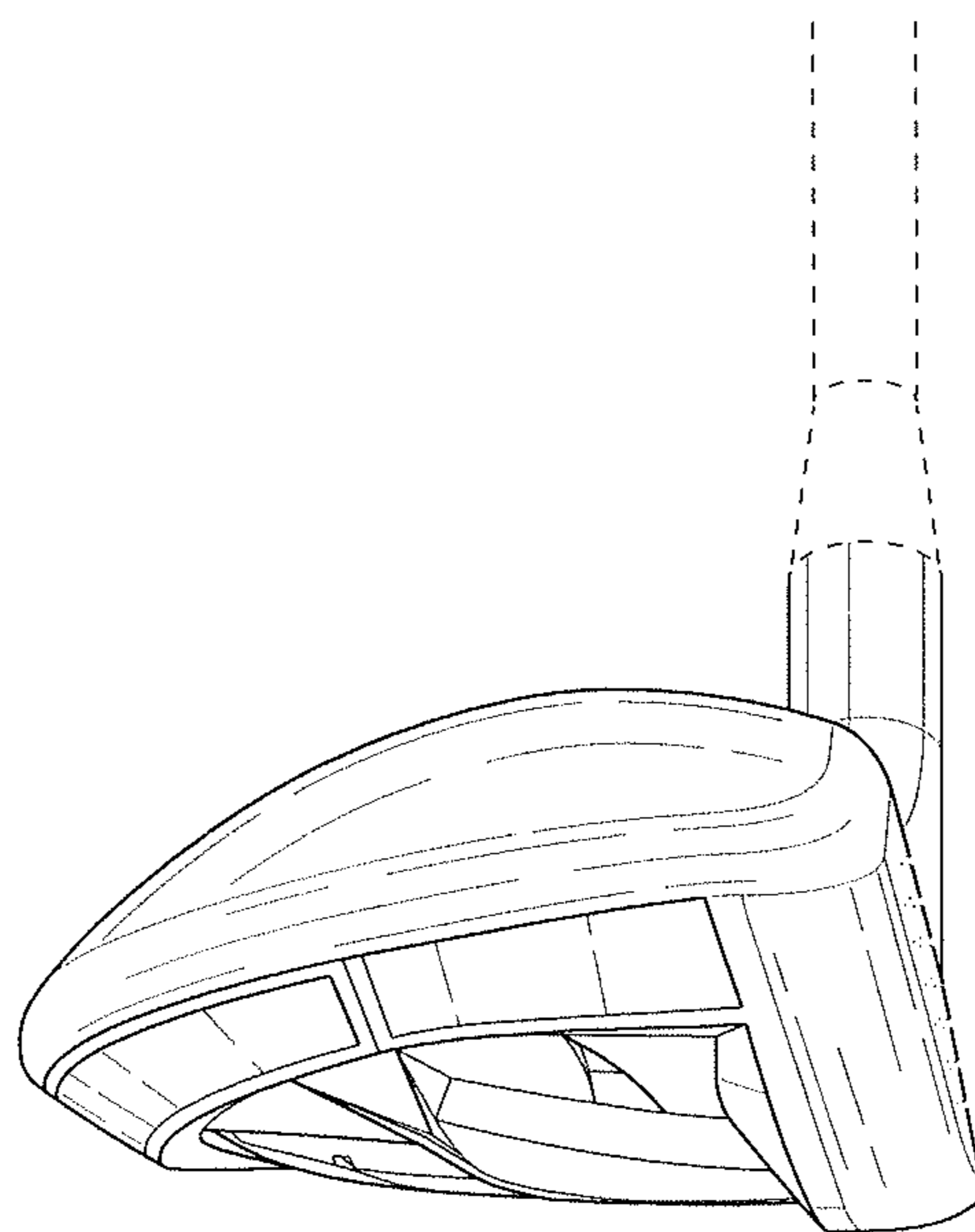


FIG. 6

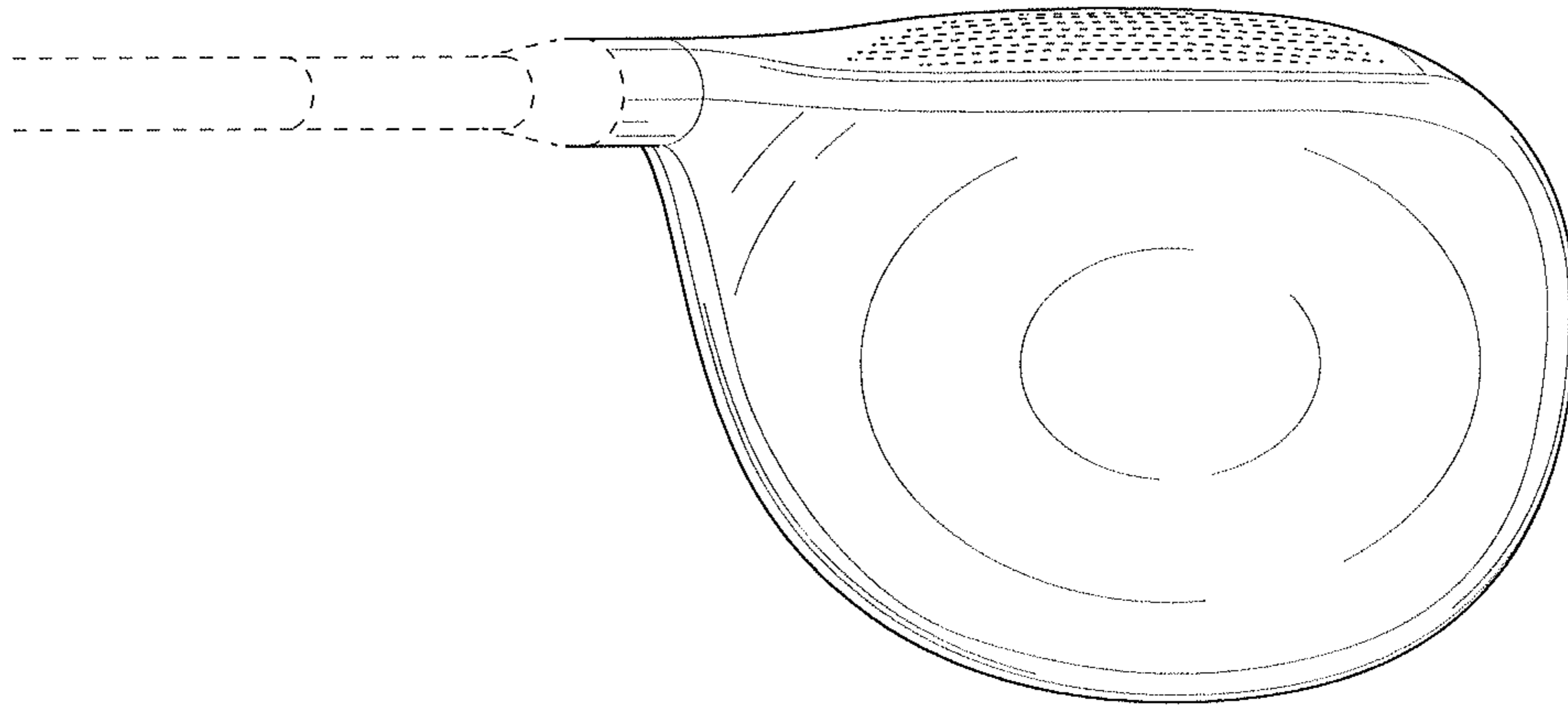


FIG. 7

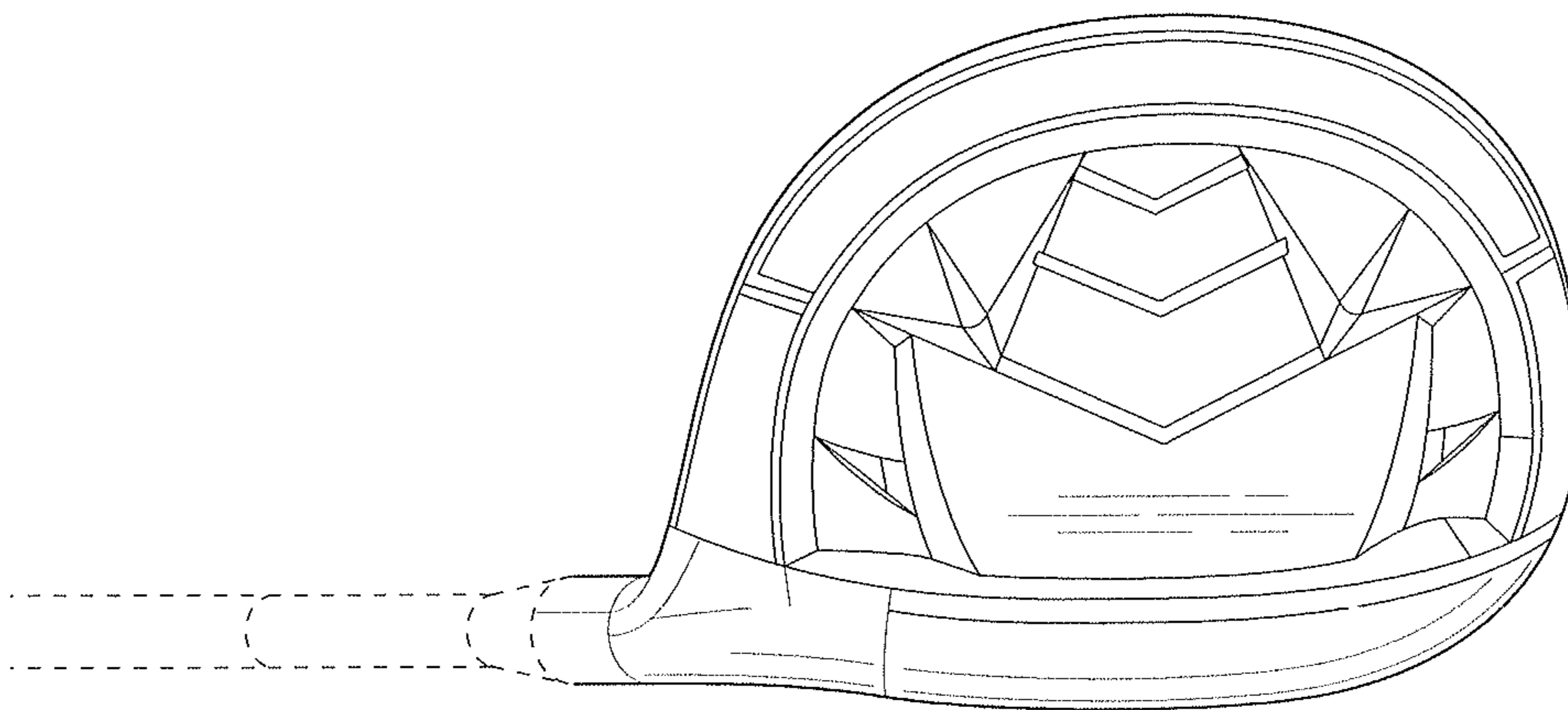


FIG. 8