



US00D783104S

(12) **United States Design Patent**  
**Oliveiro et al.**

(10) **Patent No.:** **US D783,104 S**

(45) **Date of Patent:** **\*\* Apr. 4, 2017**

(54) **GOLF CLUB HEAD**

(71) Applicant: **Acushnet Company**, Fairhaven, MA  
(US)

(72) Inventors: **Austin Oliveiro**, San Marcos, CA (US);  
**Sang Yi**, Carlsbad, CA (US)

(73) Assignee: **Acushnet Company**, Fairhaven, MA  
(US)

(\*\*) Term: **15 Years**

(21) Appl. No.: **29/545,151**

(22) Filed: **Nov. 10, 2015**

(51) **LOC (10) Cl.** ..... **21-02**

(52) **U.S. Cl.**  
USPC ..... **D21/752**

(58) **Field of Classification Search**  
USPC ..... D21/733, 752, 759  
CPC ..... A63B 53/00; A63B 53/04; A63B 53/0466;  
A63B 2053/002; A63B 2053/0445; A63B  
2053/0433; A63B 2053/0437; A63B  
2053/0491  
See application file for complete search history.

(56) **References Cited**

**U.S. PATENT DOCUMENTS**

D527,064 S \* 8/2006 Breier ..... D21/752  
D535,343 S \* 1/2007 Chen ..... D21/752  
D537,139 S \* 2/2007 Breier ..... D21/759

D537,895 S \* 3/2007 Breier ..... D21/752  
D569,465 S \* 5/2008 Yi ..... D21/752  
D572,791 S \* 7/2008 Jertson ..... D21/759  
D578,587 S \* 10/2008 Hoffman ..... D21/752  
D579,064 S \* 10/2008 Beach ..... D21/752  
D579,065 S \* 10/2008 Yi ..... D21/752  
D579,066 S \* 10/2008 Dipert ..... D21/752  
D579,067 S \* 10/2008 Hoffman ..... D21/752  
D583,432 S \* 12/2008 Serrano ..... D21/752  
D588,217 S \* 3/2009 Jertson ..... D21/752  
D588,659 S \* 3/2009 Jertson ..... D21/752  
D624,979 S \* 10/2010 Morris ..... D21/752  
D644,284 S \* 8/2011 Roberts ..... D21/752

\* cited by examiner

*Primary Examiner* — Mitchell Siegel

(74) *Attorney, Agent, or Firm* — Randy K. Chang

(57) **CLAIM**

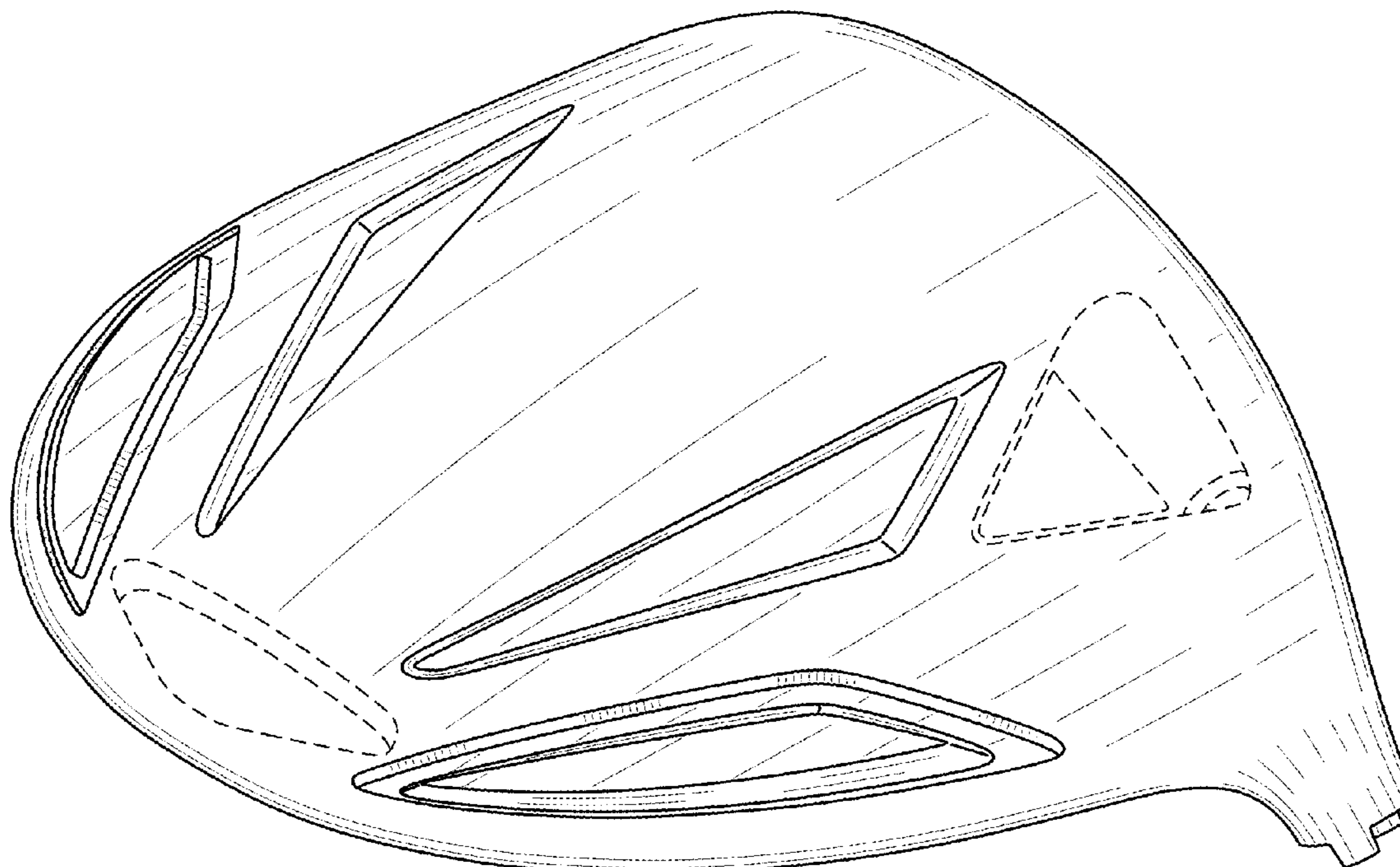
The ornamental design for a golf club head, as shown and described.

**DESCRIPTION**

FIG. 1 is a perspective view of our new golf club head;  
FIG. 2 is a front view thereof;  
FIG. 3 is a bottom view thereof;  
FIG. 4 is a top view thereof;  
FIG. 5 is a back view thereof;  
FIG. 6 is a toe side view thereof; and,  
FIG. 7 is a heel side view thereof.

The portion of the club head shown in phantom are for illustrative purposes only and do not form any portion of the claimed design.

**1 Claim, 4 Drawing Sheets**



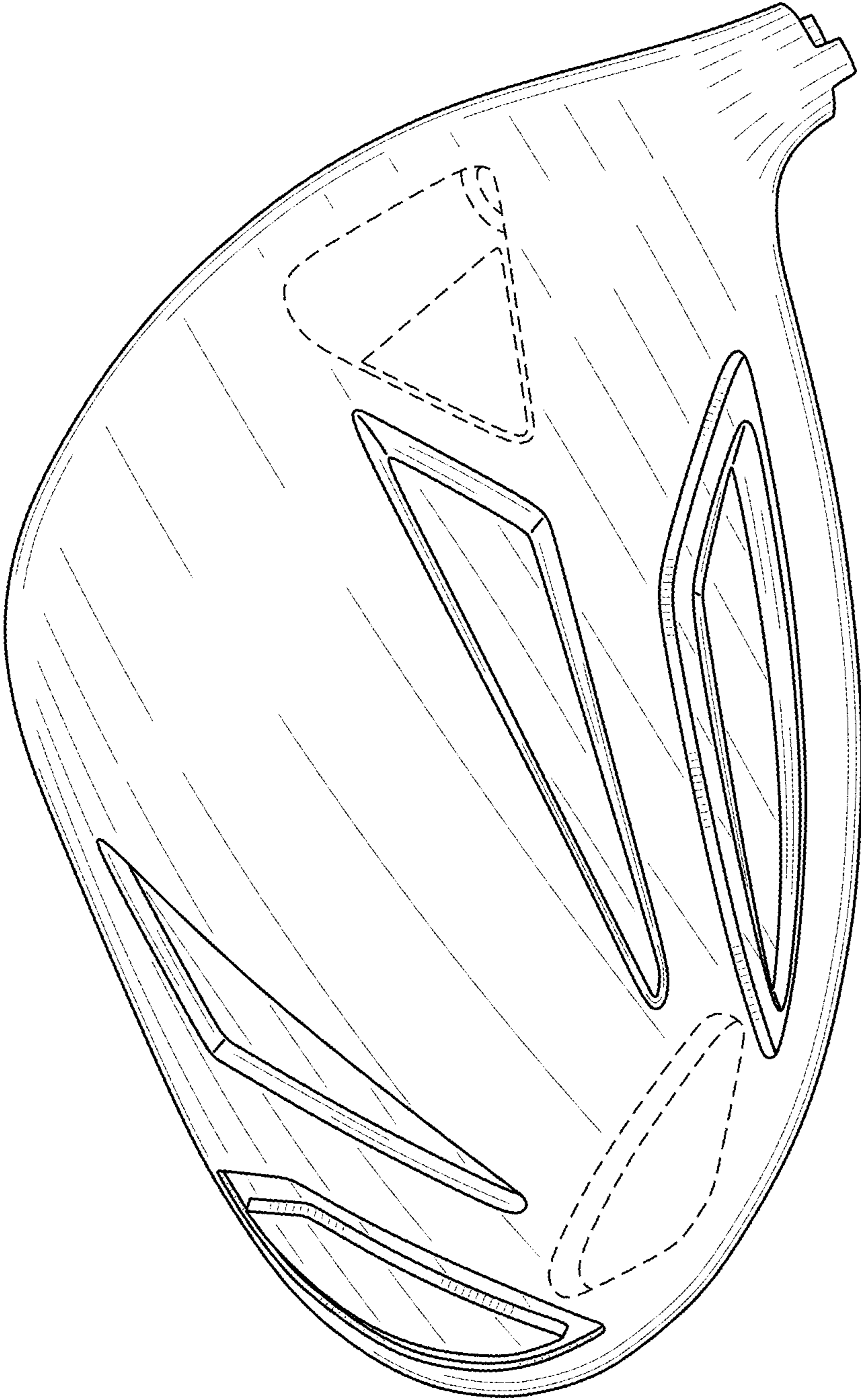


FIG. 1



FIG. 2

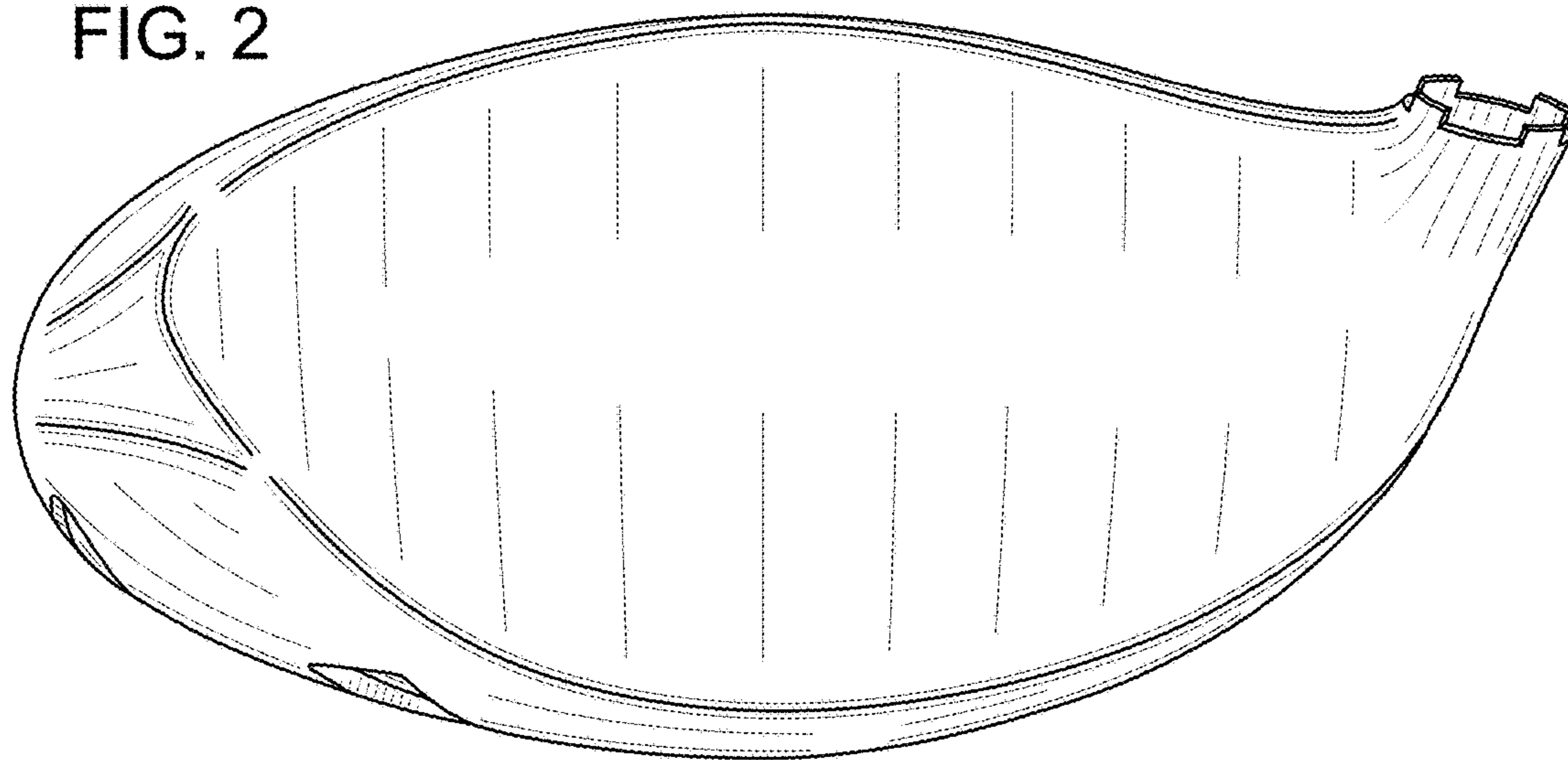


FIG. 3

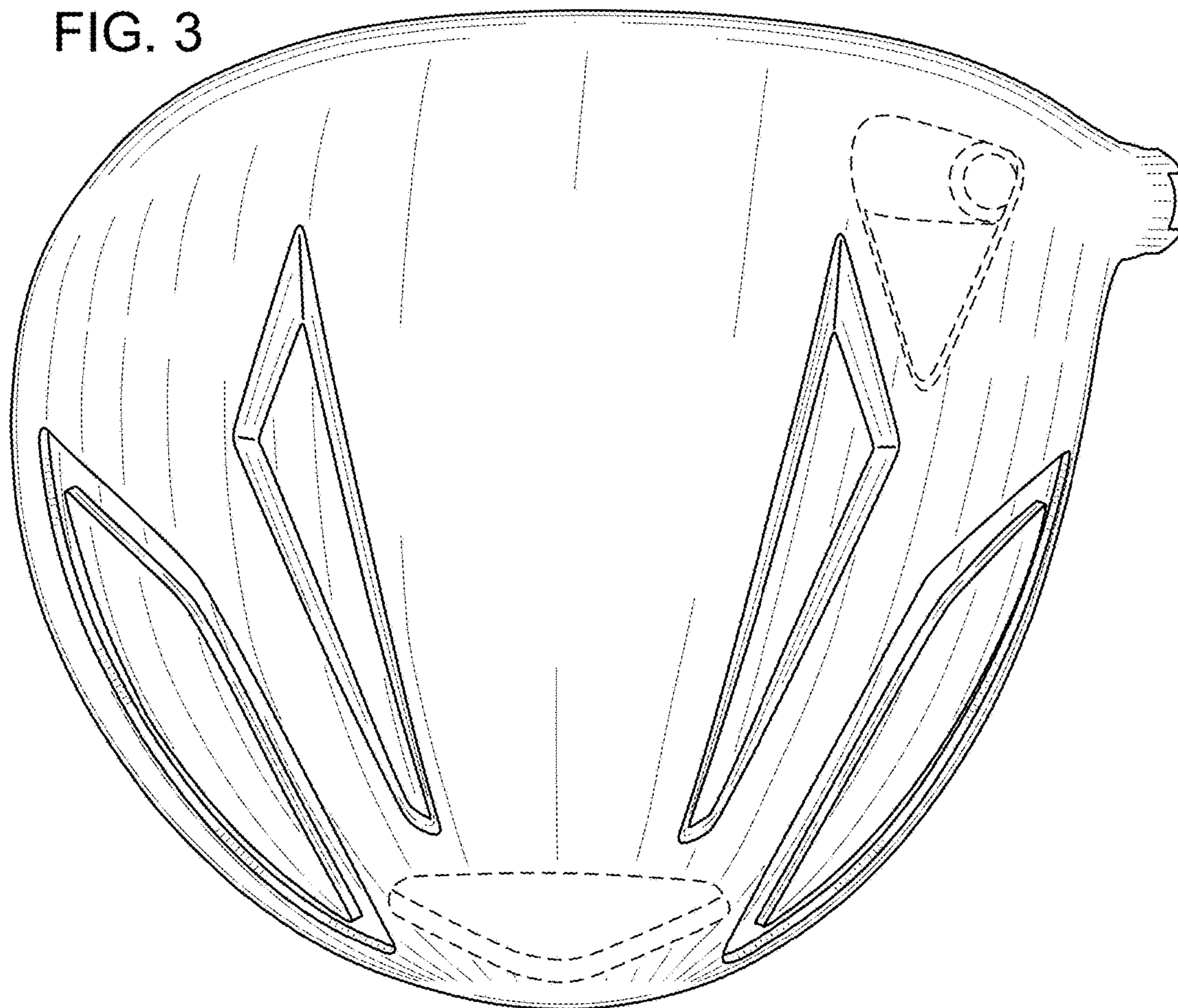


FIG. 4

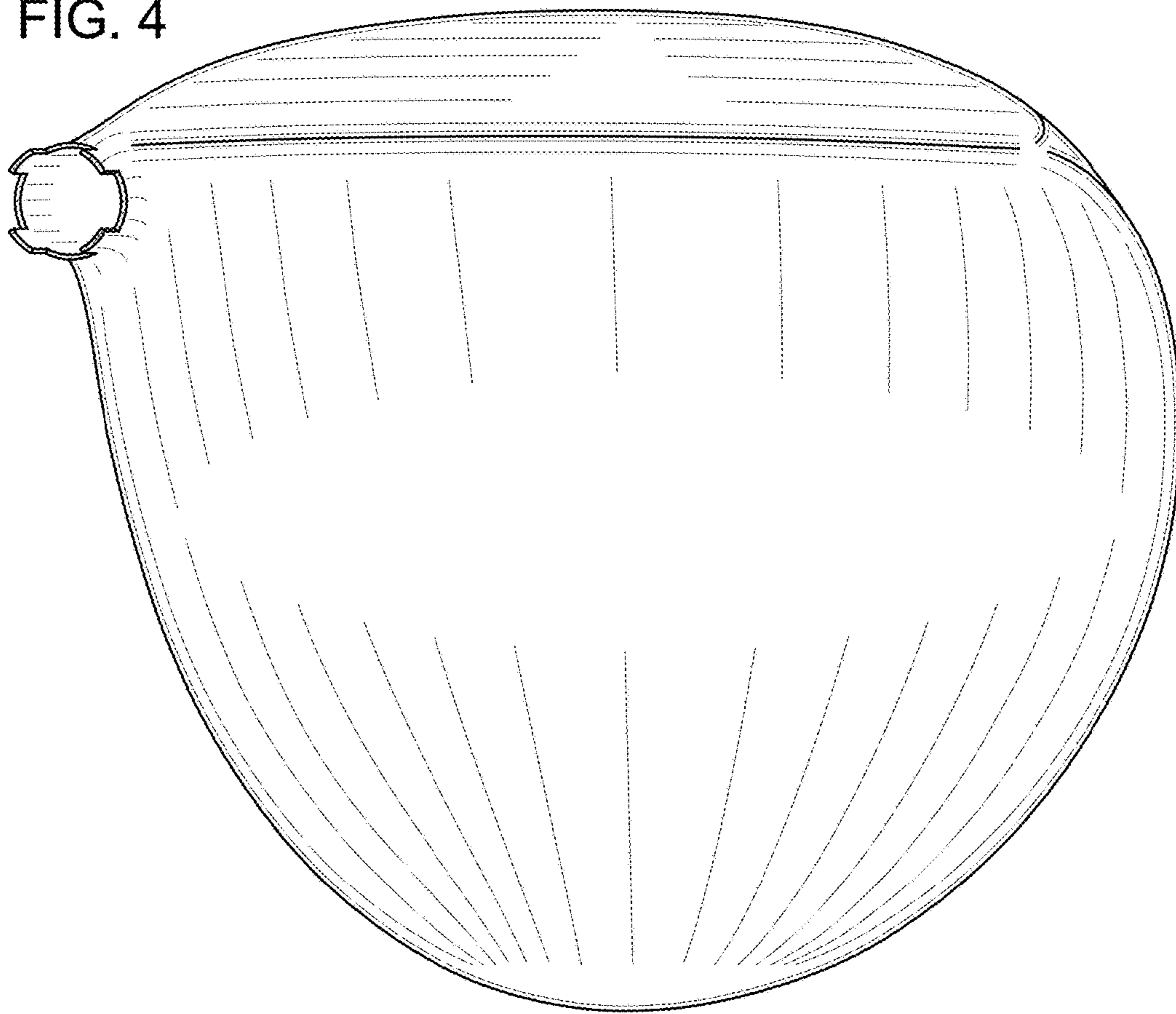


FIG. 5

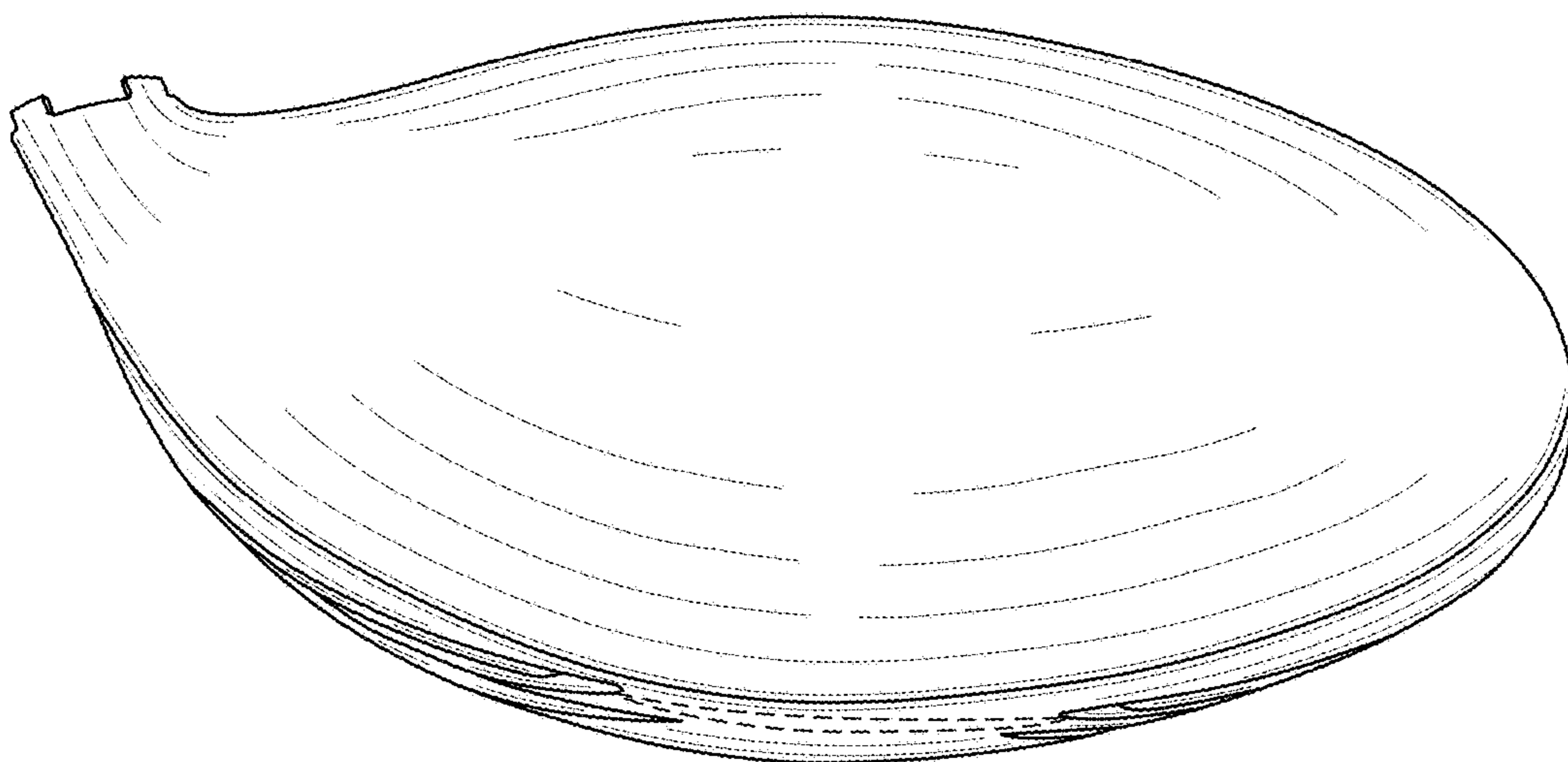


FIG. 6

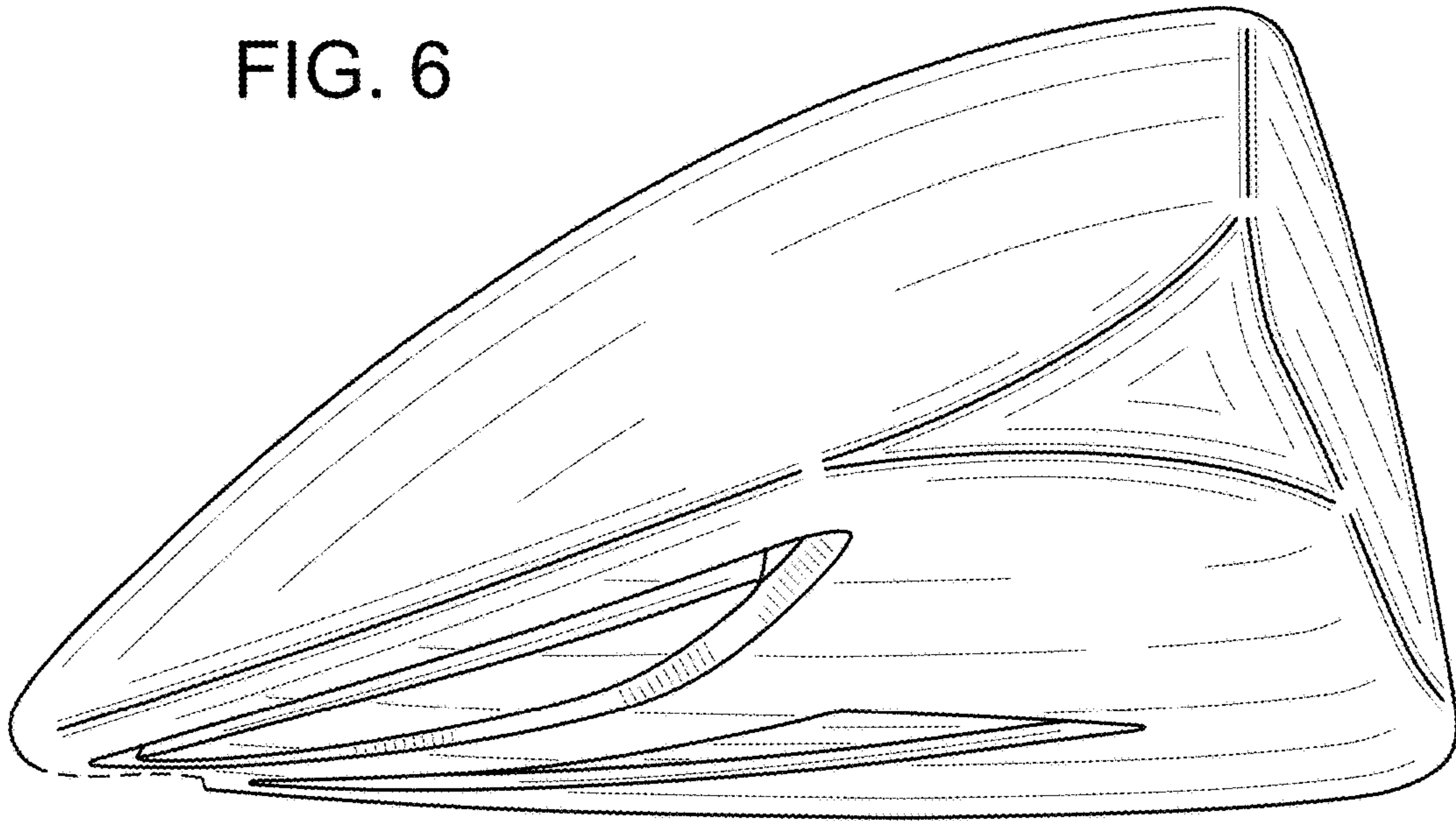


FIG. 7

