



US00D783103S

(12) **United States Design Patent** (10) **Patent No.:** **US D783,103 S**
Warren (45) **Date of Patent:** **** Apr. 4, 2017**

(54) **GOLF CLUB**

(71) Applicant: **William J Warren**, Frisco, TX (US)

(72) Inventor: **William J Warren**, Frisco, TX (US)

(**) Term: **15 Years**

(21) Appl. No.: **29/552,099**

(22) Filed: **Jan. 28, 2016**

(51) **LOC (10) Cl.** **21-02**

(52) **U.S. Cl.**
USPC **D21/743**

(58) **Field of Classification Search**
USPC D21/736-746, 759
CPC A63B 53/00; A63B 53/04; A63B 53/007;
A63B 53/065; A63B 53/0487
See application file for complete search history.

(56) **References Cited**

U.S. PATENT DOCUMENTS

D231,375 S *	4/1974	Solheim	D21/742
5,275,412 A *	1/1994	Innes	A63B 69/3685 473/253
D350,582 S *	9/1994	Miansian	D21/742
D360,669 S *	7/1995	Buscemi	D21/743
D375,988 S *	11/1996	Phillips	D21/743
D389,208 S *	1/1998	Phillips	D21/739
D405,836 S *	2/1999	Nicolette	D21/736
D408,064 S *	4/1999	Slucker	D21/736
D427,262 S *	6/2000	Frazetta	D21/743

D443,905 S *	6/2001	Nicolette	D21/743
D449,865 S *	10/2001	Fife, Jr.	D21/736
D472,949 S *	4/2003	Serrano	D21/736
D533,242 S *	12/2006	Tang	D21/736
D559,930 S *	1/2008	Cameron	D21/746
D565,138 S *	3/2008	Wilson	D21/743
D592,715 S *	5/2009	Takei	D21/736
D624,616 S *	9/2010	Rife	D21/742
D624,617 S *	9/2010	Rife	D21/742
D708,276 S *	7/2014	Myers	D21/743
D708,277 S *	7/2014	Myers	D21/743
D708,684 S *	7/2014	Myers	D21/743
D728,716 S *	5/2015	Pfaff	D21/742

* cited by examiner

Primary Examiner — Mitchell Siegel

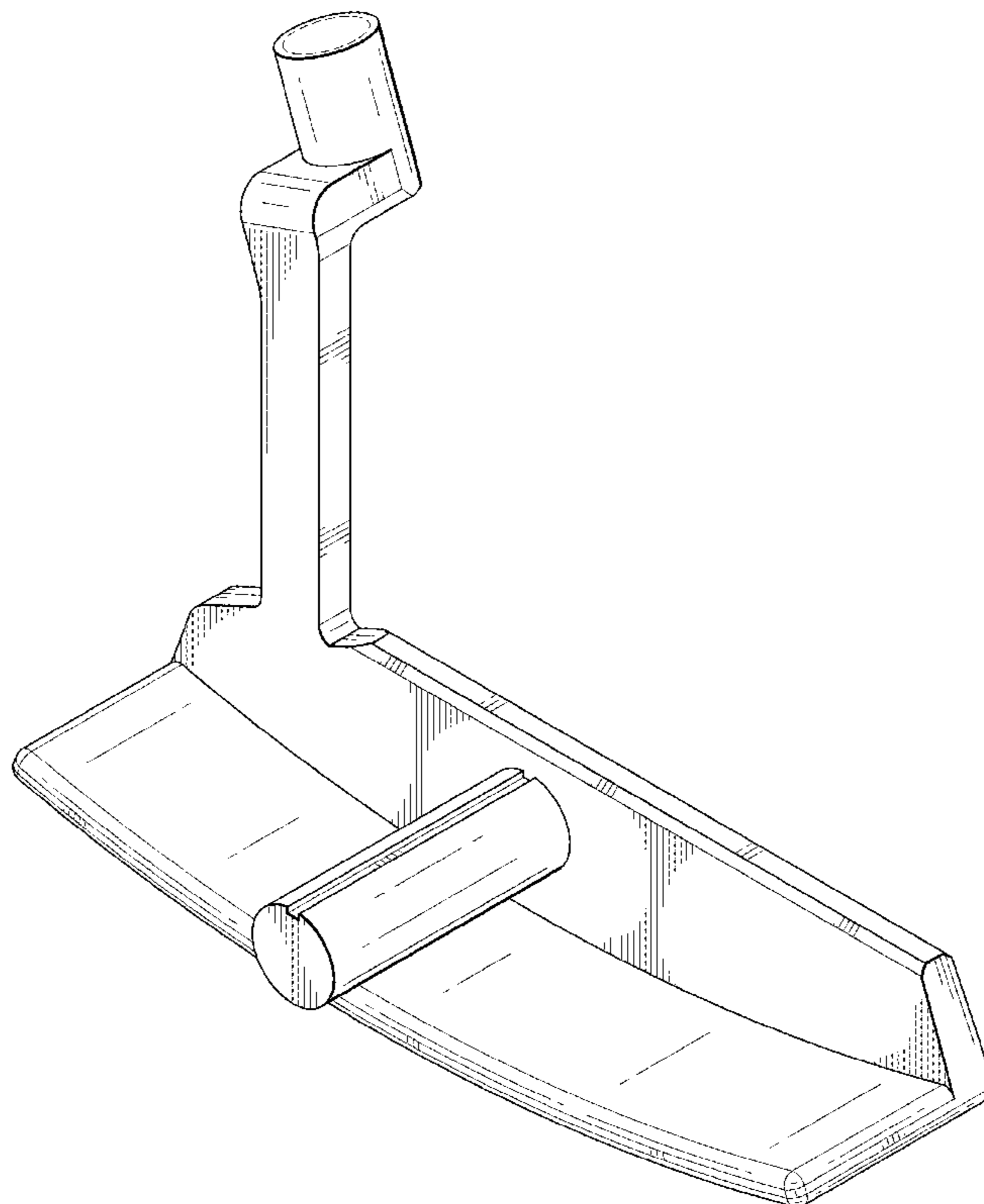
(57) **CLAIM**

The ornamental design for a golf club, as shown.

DESCRIPTION

FIG. 1 is a rear perspective view of a golf club showing my new design;
FIG. 2 is a rear elevational view thereof;
FIG. 3 is a front elevational view thereof;
FIG. 4 is a left side elevational view thereof;
FIG. 5 is a right side elevational view thereof;
FIG. 6 is a top plan view thereof;
FIG. 7 is a bottom plan view thereof; and,
FIG. 8 is front perspective view thereof.
The broken line showing of is included for the purpose of illustrating and forms no part of the claimed design.

1 Claim, 7 Drawing Sheets



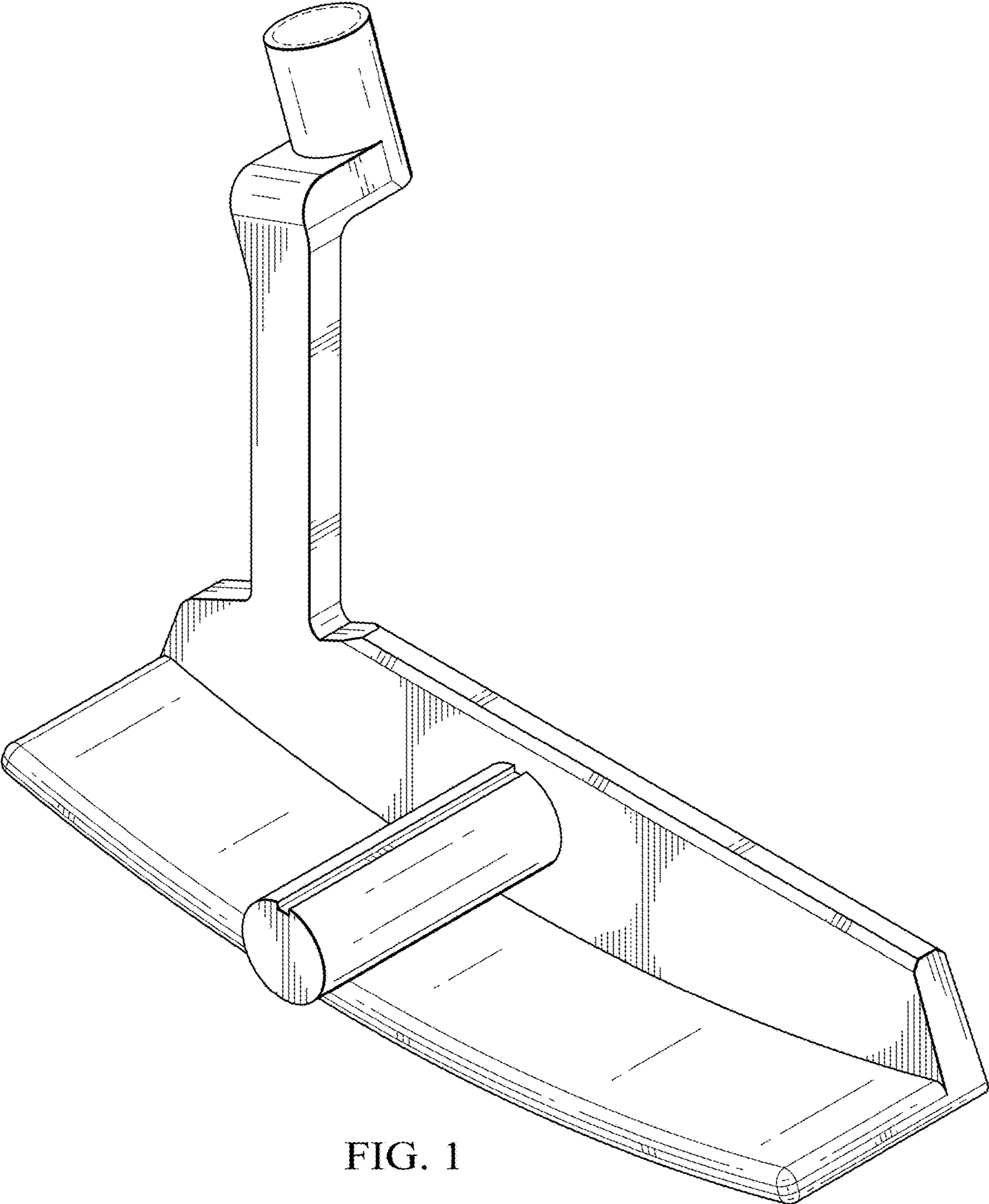


FIG. 1

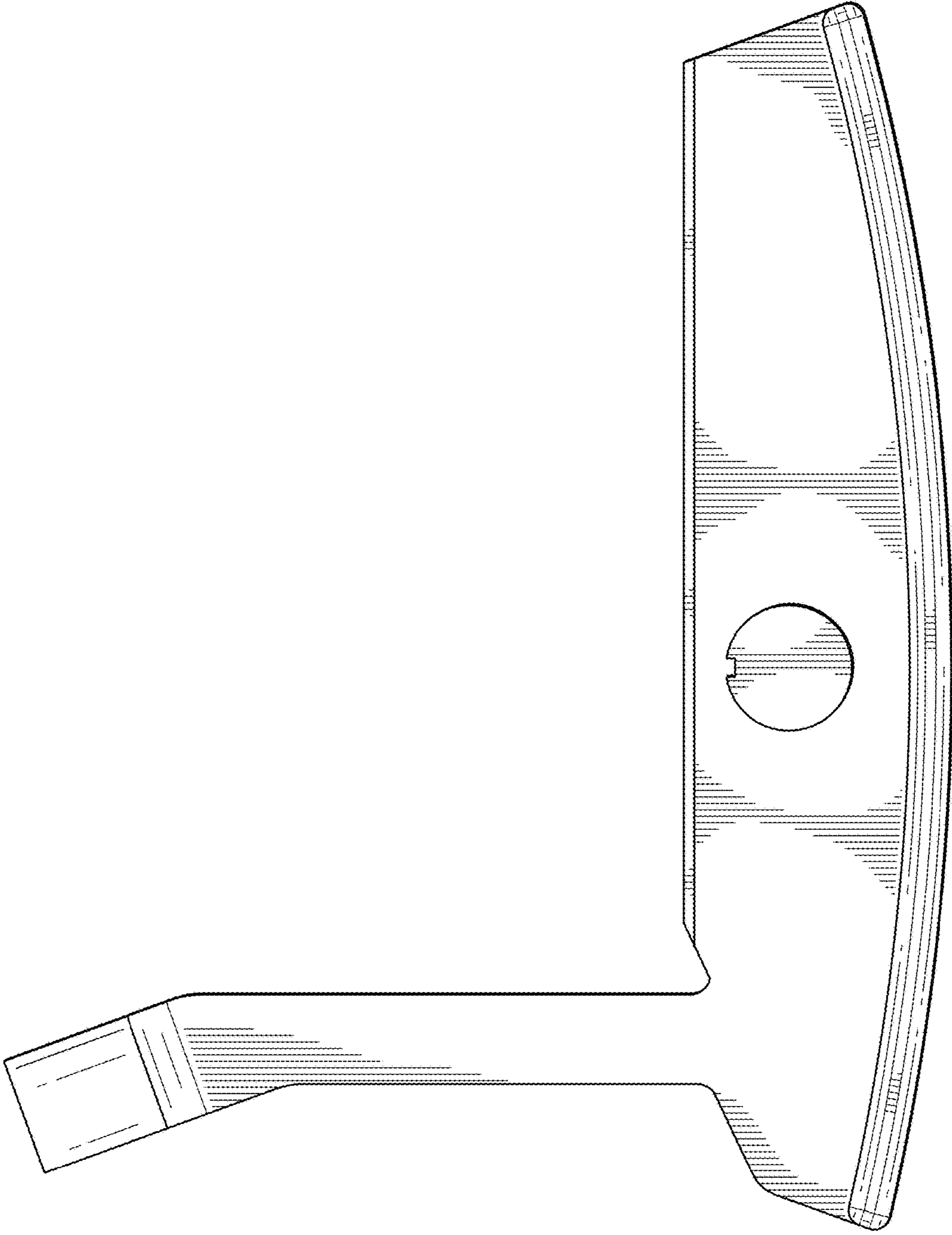


FIG. 2

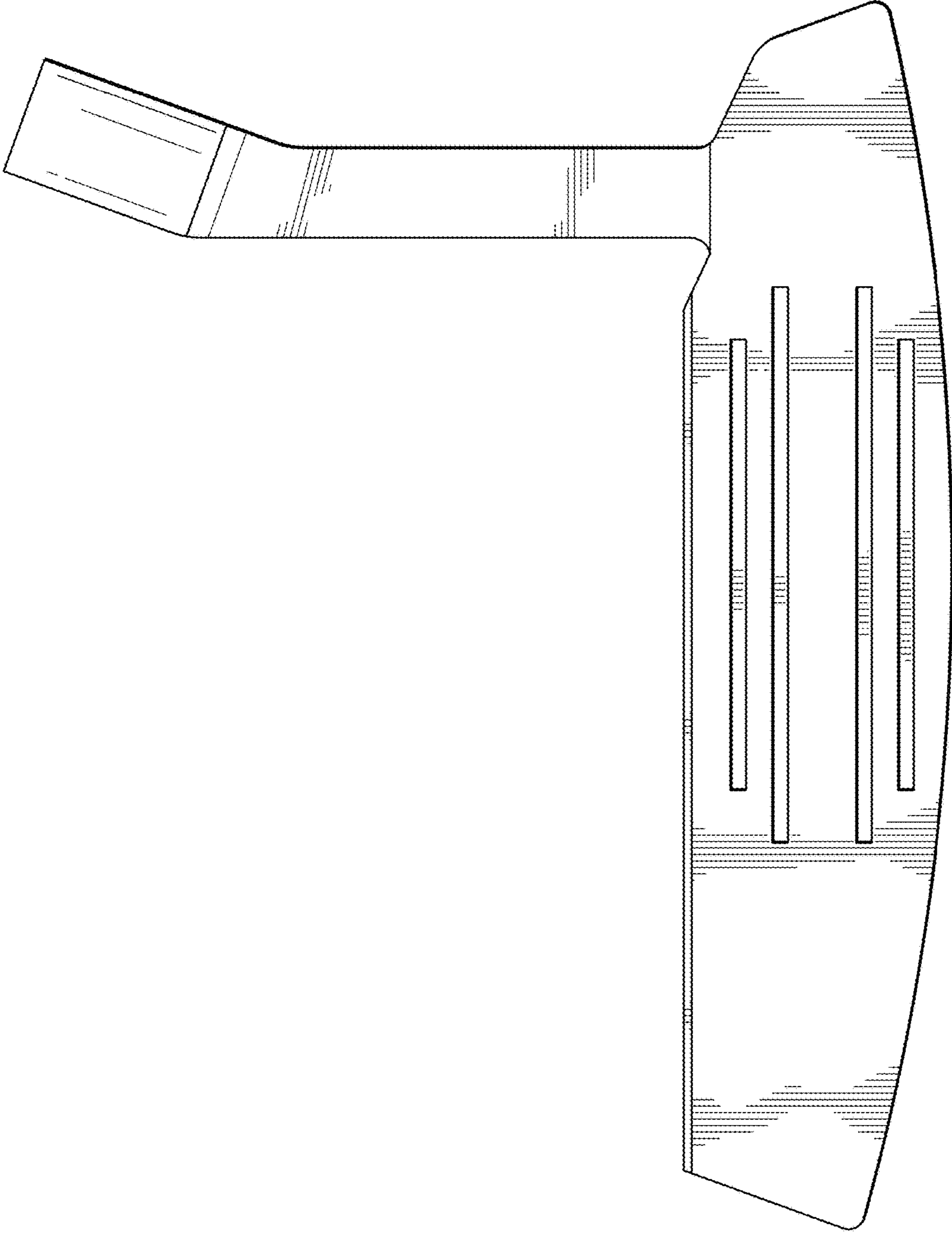


FIG. 3

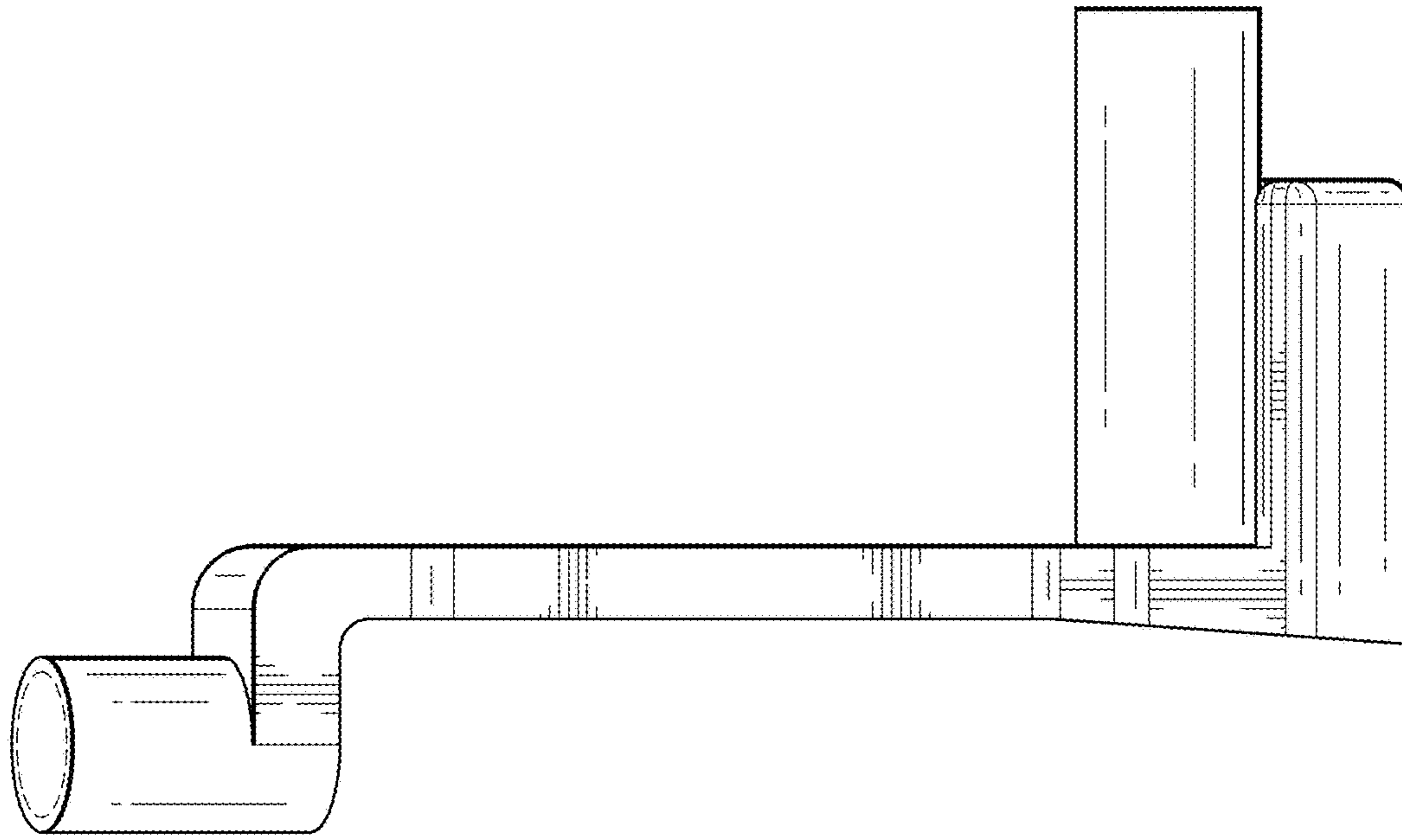


FIG. 5

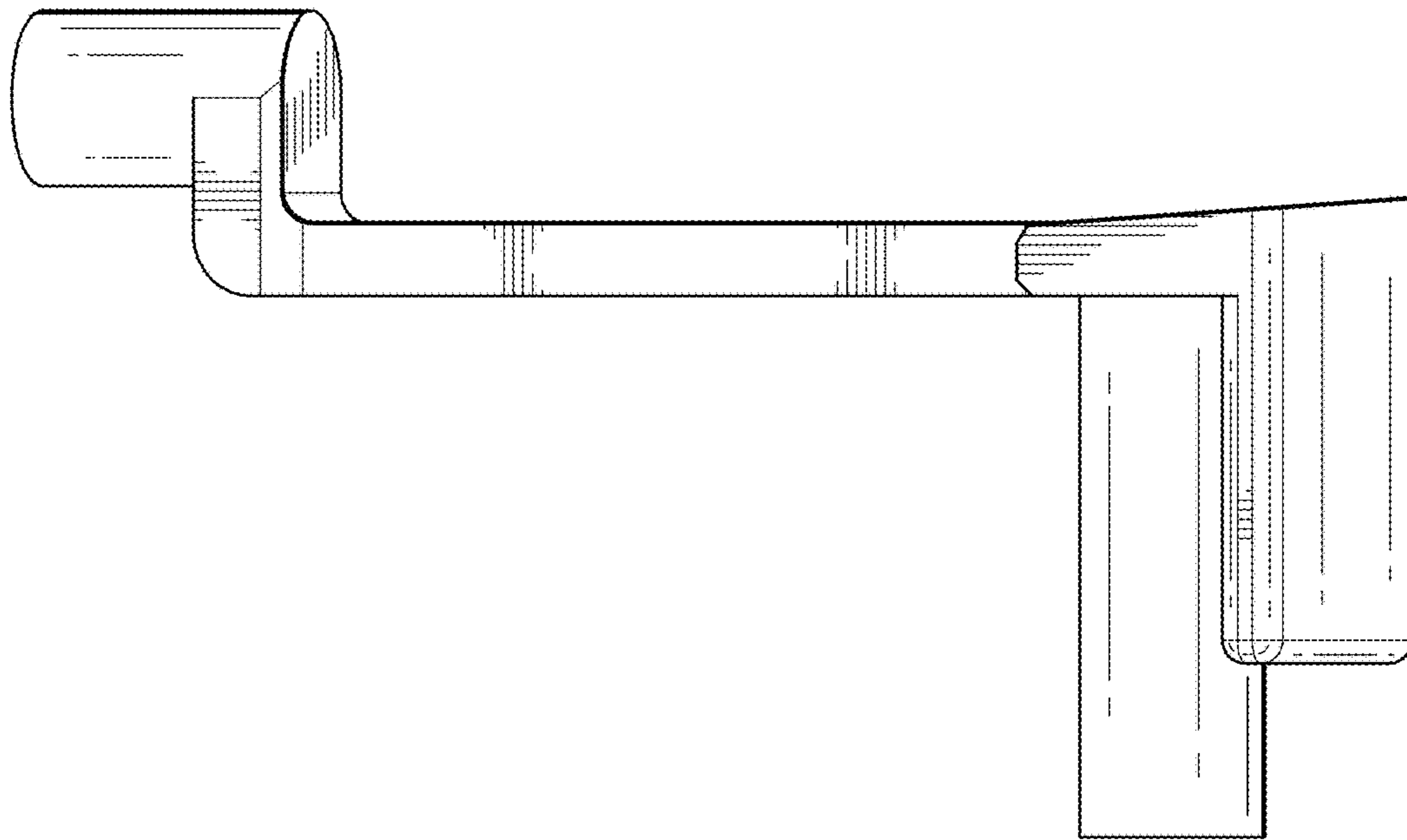


FIG. 4

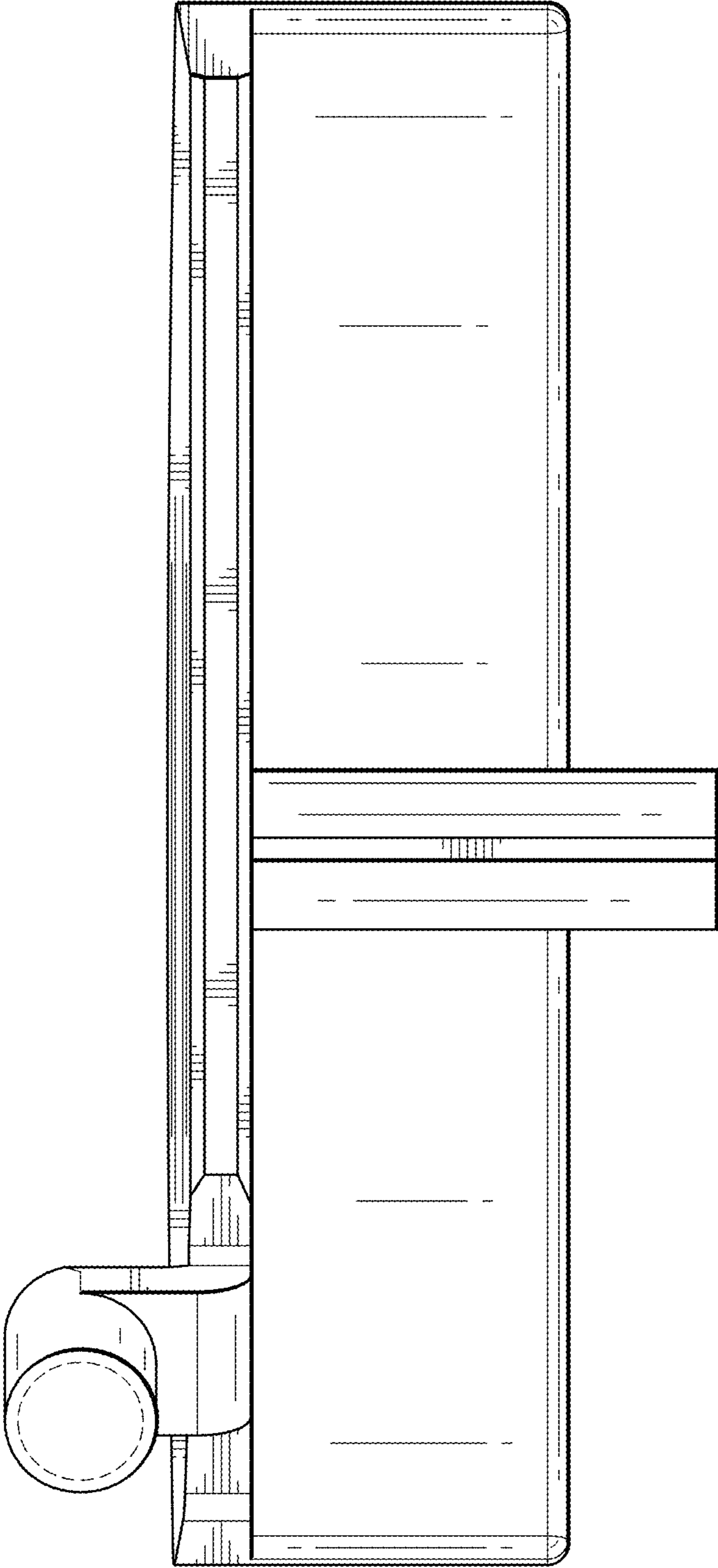
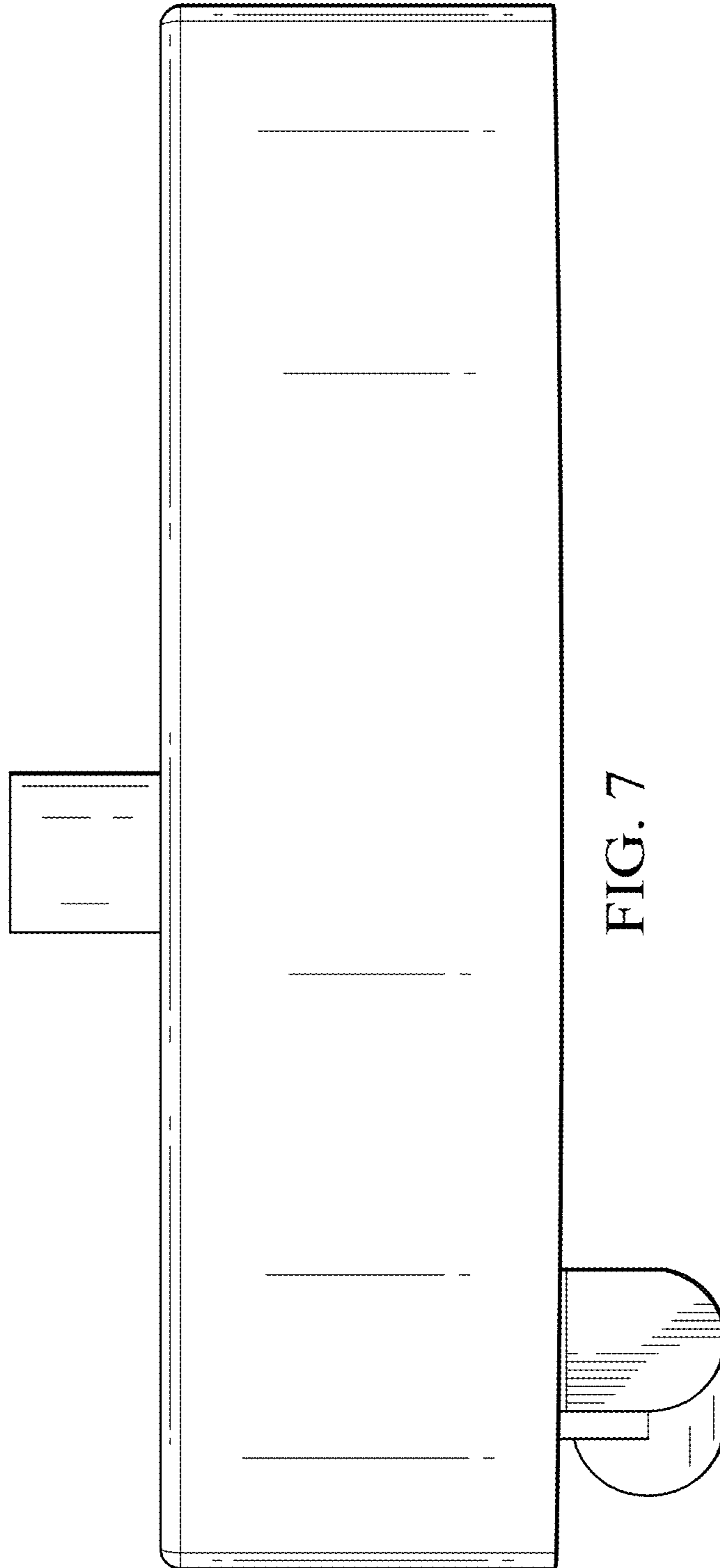


FIG. 6



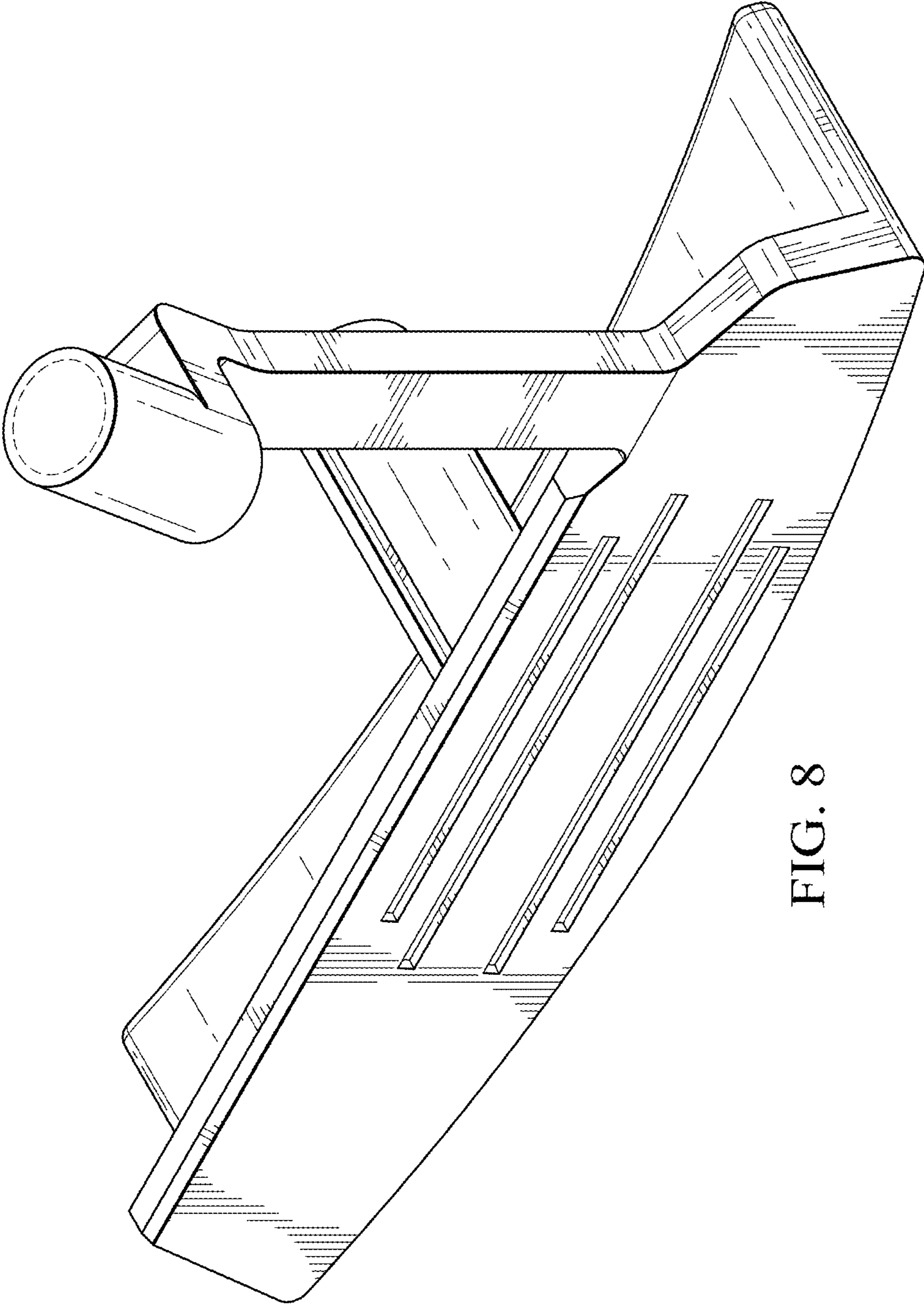


FIG. 8