



US00D783102S

(12) **United States Design Patent**
Warren

(10) **Patent No.:** **US D783,102 S**

(45) **Date of Patent:** **** Apr. 4, 2017**

(54) **GOLF CLUB**

(71) Applicant: **William J Warren**, Frisco, TX (US)

(72) Inventor: **William J Warren**, Frisco, TX (US)

(**) Term: **15 Years**

(21) Appl. No.: **29/551,325**

(22) Filed: **Jan. 16, 2016**

(51) **LOC (10) Cl.** **21-02**

(52) **U.S. Cl.**
USPC **D21/743**

(58) **Field of Classification Search**
USPC D21/736-746, 759
CPC A63B 53/00; A63B 53/04; A63B 53/007;
A63B 53/065; A63B 53/0487
See application file for complete search history.

D578,586 S *	10/2008	Oldknow	D21/744
D607,951 S *	1/2010	Teramoto	D21/736
D624,616 S *	9/2010	Rife	D21/742
D624,617 S *	9/2010	Rife	D21/742
D629,856 S *	12/2010	Parkinson	D21/743
D633,964 S *	3/2011	Teramoto	D21/743
D638,892 S *	5/2011	Hettinger	D21/743
D648,407 S *	11/2011	Teramoto	D21/743
D655,361 S *	3/2012	Ramsauer	D21/743
D682,376 S *	5/2013	Oliveiro	D21/736
D688,339 S *	8/2013	Hilton	D21/736
D689,574 S *	9/2013	Rollinson	D21/743
D702,782 S *	4/2014	Wempe	D21/743
D708,276 S *	7/2014	Myers	D21/743
D708,277 S *	7/2014	Myers	D21/743
D708,684 S *	7/2014	Myers	D21/743
D728,716 S *	5/2015	Pfaff	D21/742
D752,697 S *	3/2016	Claveran	D21/736
D763,373 S *	8/2016	Cardani	D21/736

(Continued)

Primary Examiner — Mitchell Siegel

(56) **References Cited**

U.S. PATENT DOCUMENTS

D248,783 S *	8/1978	Long	473/345
4,693,478 A *	9/1987	Long	A63B 53/0487
				473/251
4,871,174 A *	10/1989	Kobayashi	A63B 53/0487
				473/252
D306,630 S *	3/1990	Dinte	D21/743
D355,462 S *	2/1995	Wyatt	D21/741
5,390,919 A *	2/1995	Stubbs	A63B 53/065
				473/246
D380,245 S *	6/1997	Meyer	D21/743
5,863,257 A *	1/1999	Busnardo	A63B 53/02
				473/246
D460,136 S *	7/2002	Chambers, Sr.	D21/742
D559,928 S *	1/2008	Cameron	D21/736
D565,138 S *	3/2008	Wilson	D21/743
D565,677 S *	4/2008	Cameron	D21/736
D565,678 S *	4/2008	Cameron	D21/736

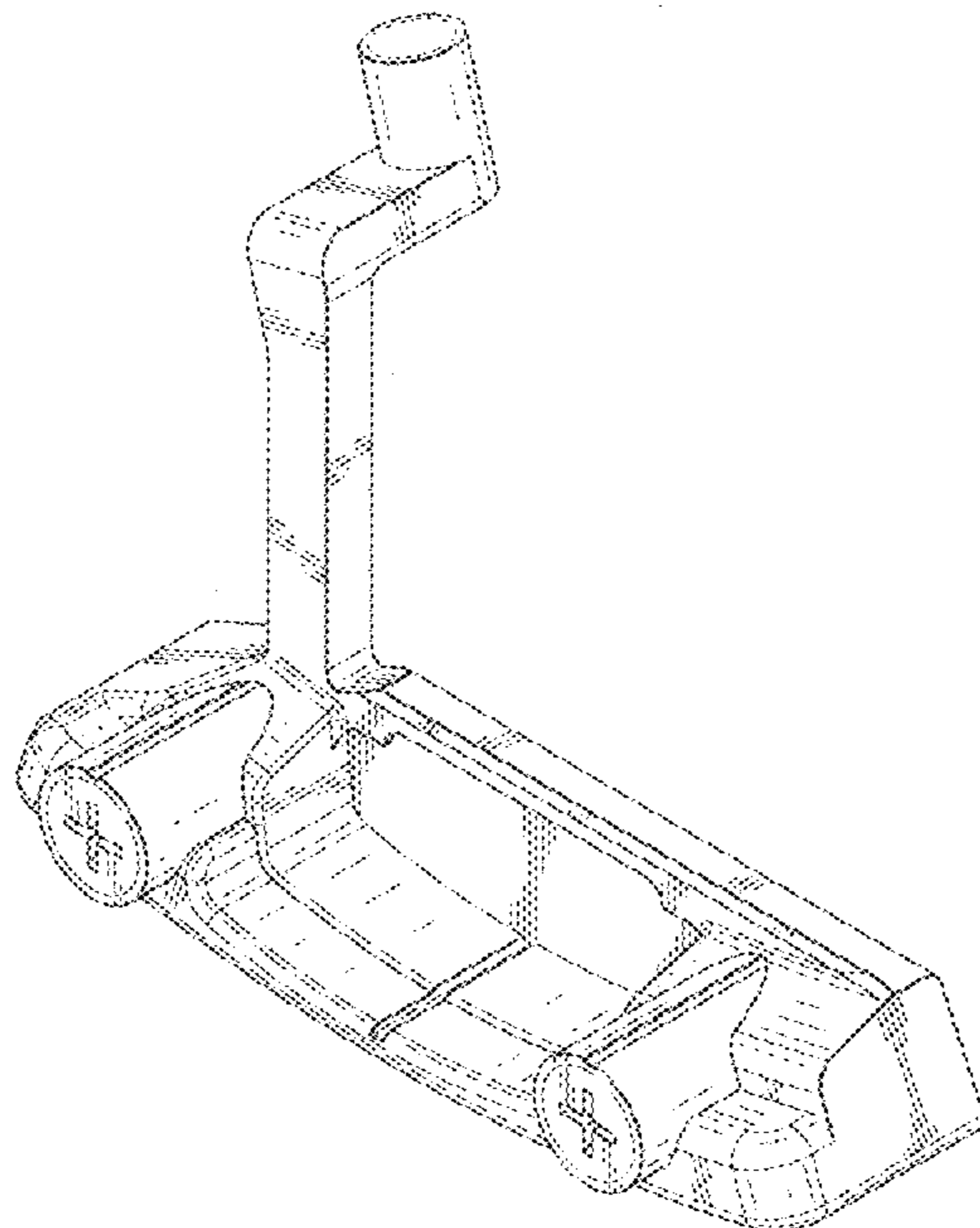
(57) **CLAIM**

The ornamental design for a golf club, as shown.

DESCRIPTION

FIG. 1 is a rear perspective view of a golf club showing my new design;
FIG. 2 is a rear elevational view thereof;
FIG. 3 is a front elevational view thereof;
FIG. 4 is a left side elevational view thereof;
FIG. 5 is a right side elevational view thereof;
FIG. 6 is a top plan view thereof;
FIG. 7 is a bottom plan view thereof; and,
FIG. 8 is front perspective view thereof.
The broken line showing of is included for the purpose of illustrating and forms no part of the claimed design.

1 Claim, 7 Drawing Sheets



(56)

References Cited

U.S. PATENT DOCUMENTS

D763,383 S * 8/2016 Cardani D21/759
2007/0135232 A1* 6/2007 Billings A63B 53/0487
473/340

* cited by examiner

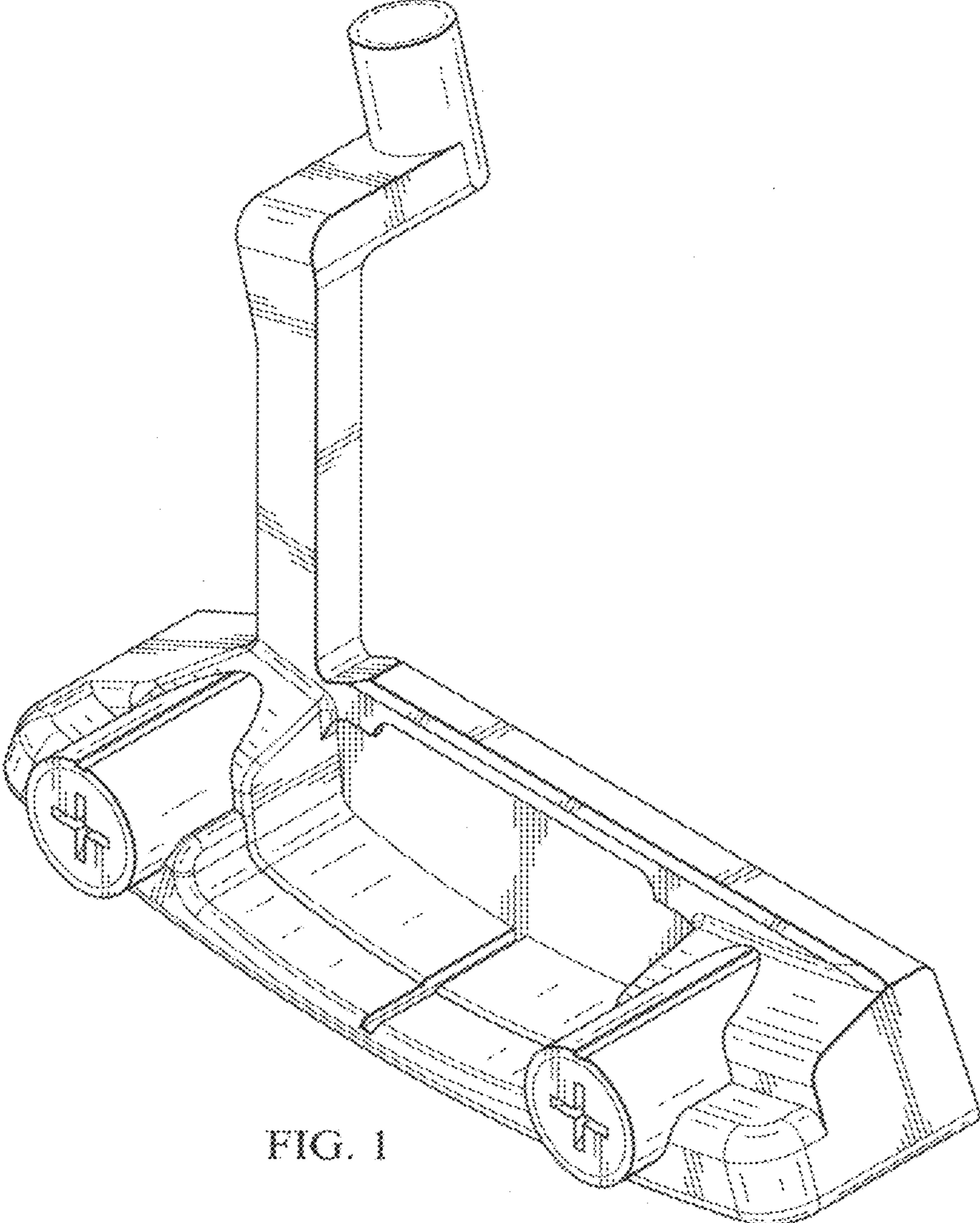


FIG. 1

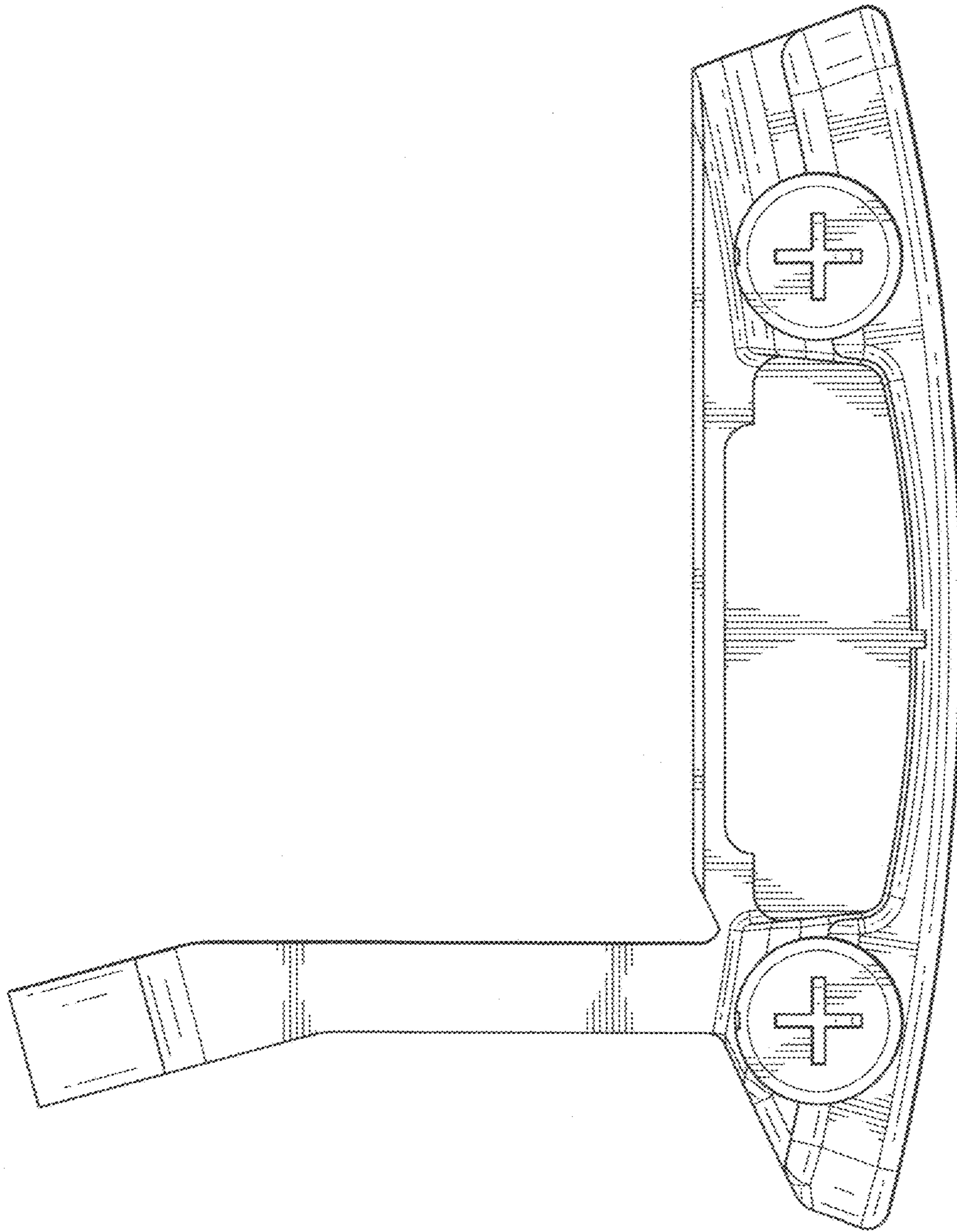


FIG. 2

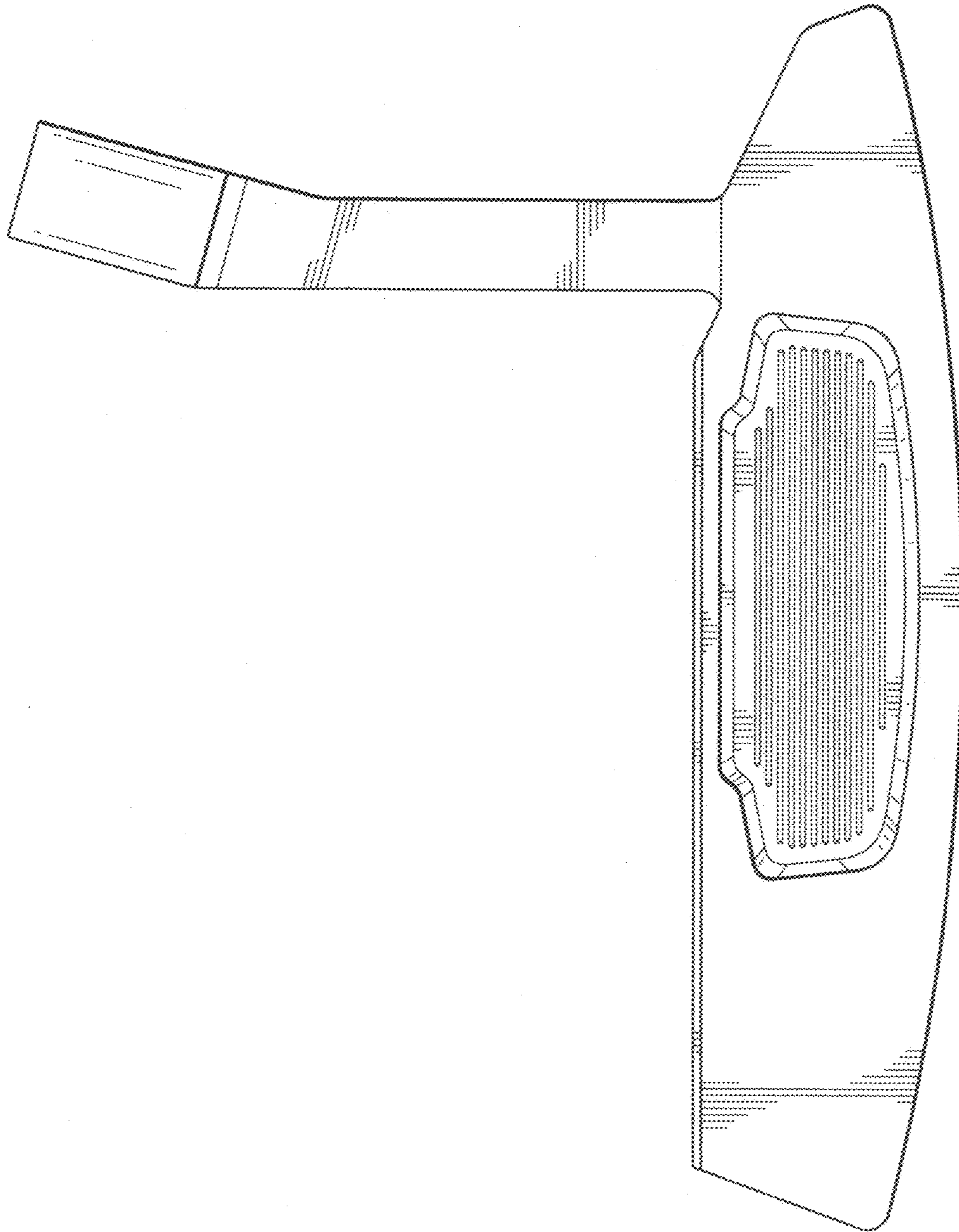


FIG. 3

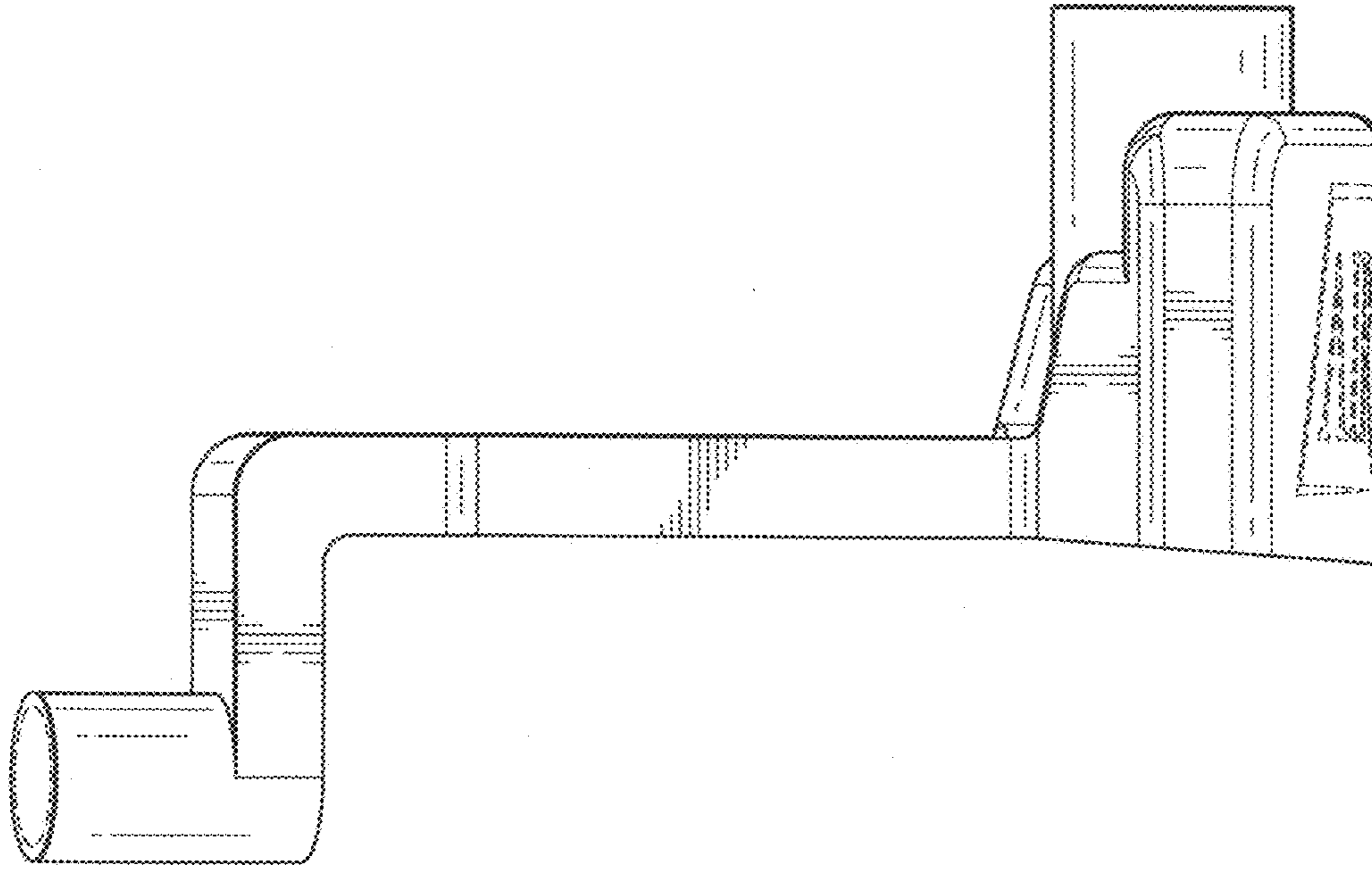


FIG. 5

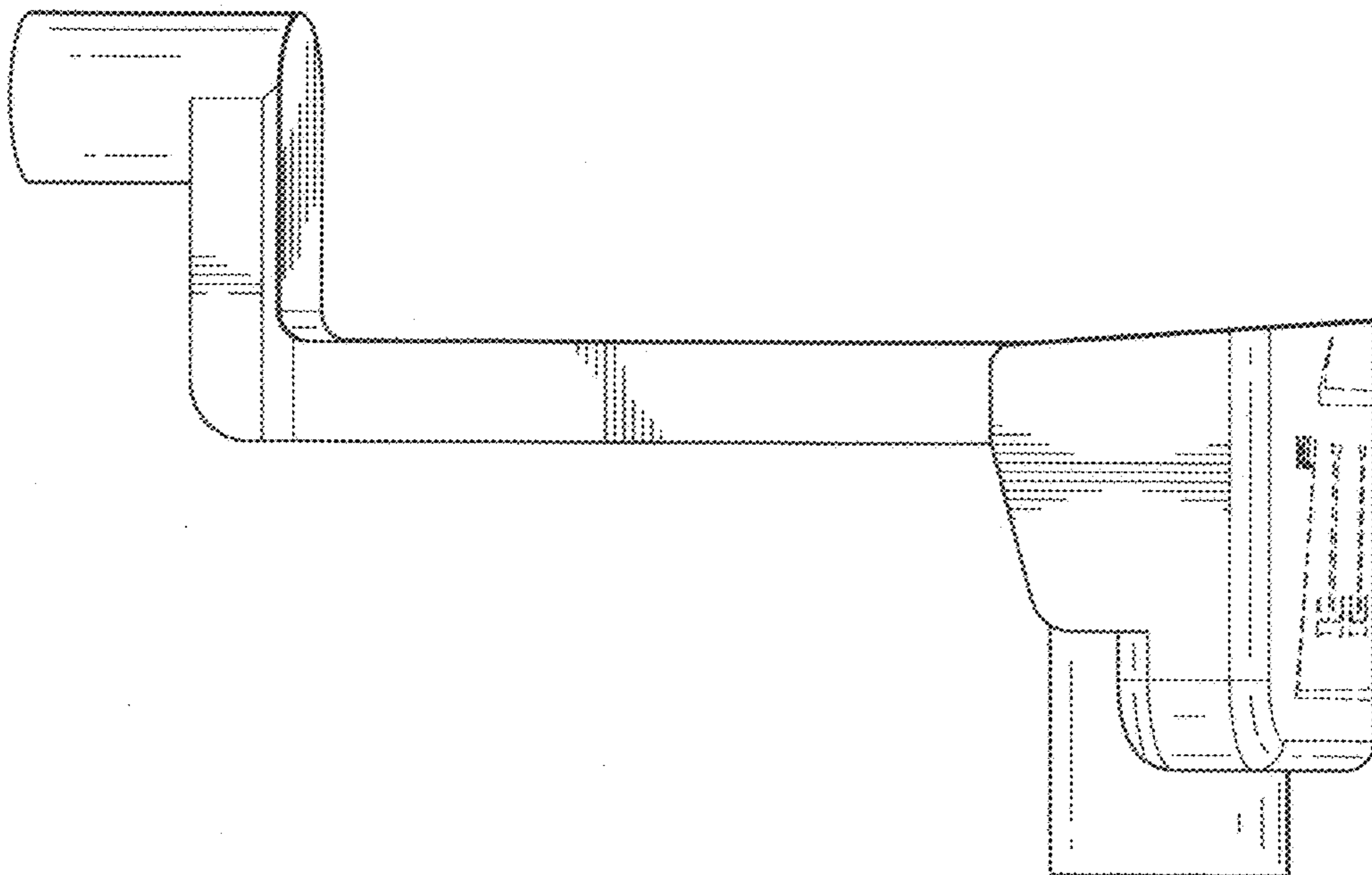


FIG. 4

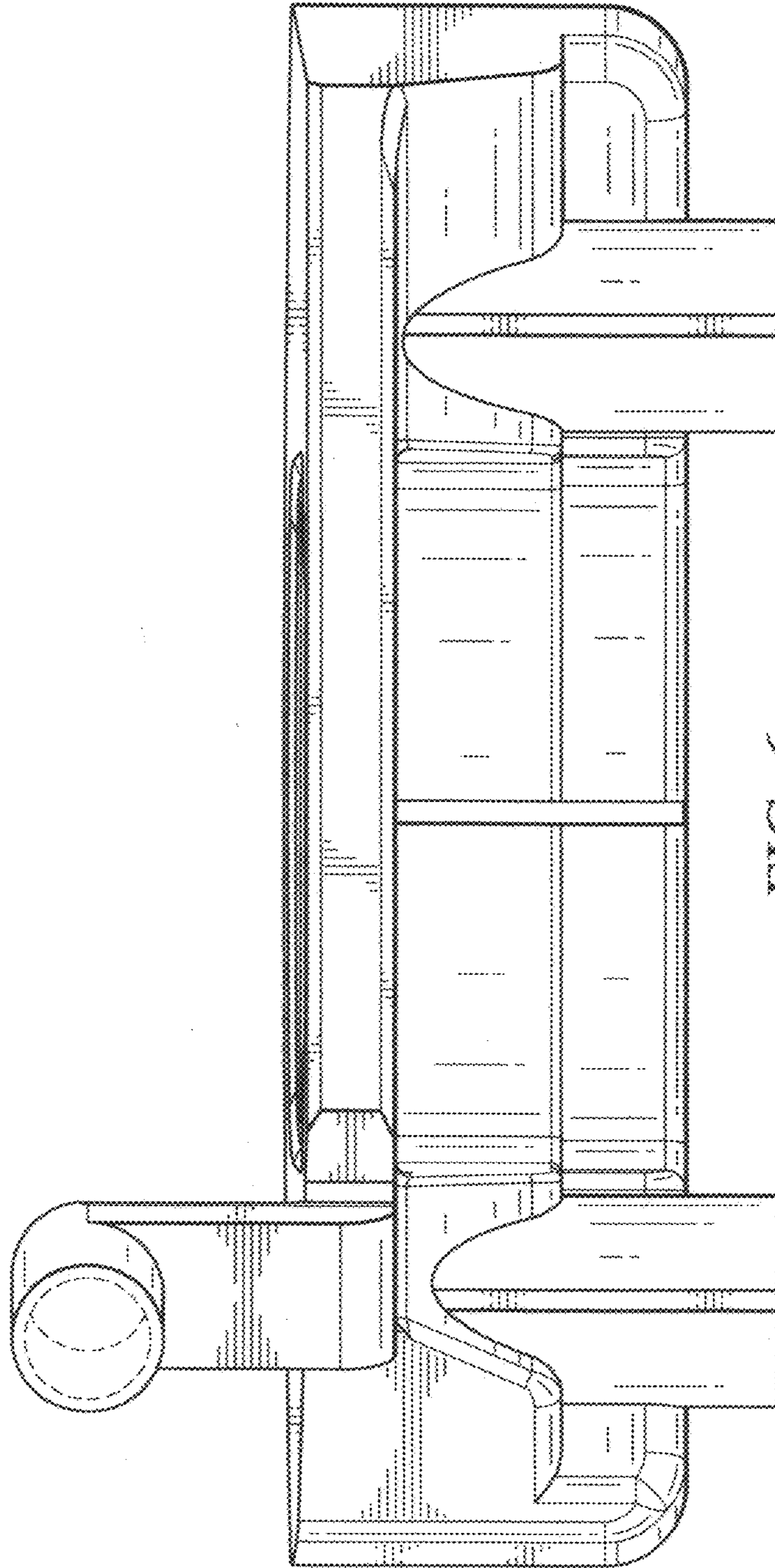


FIG. 6

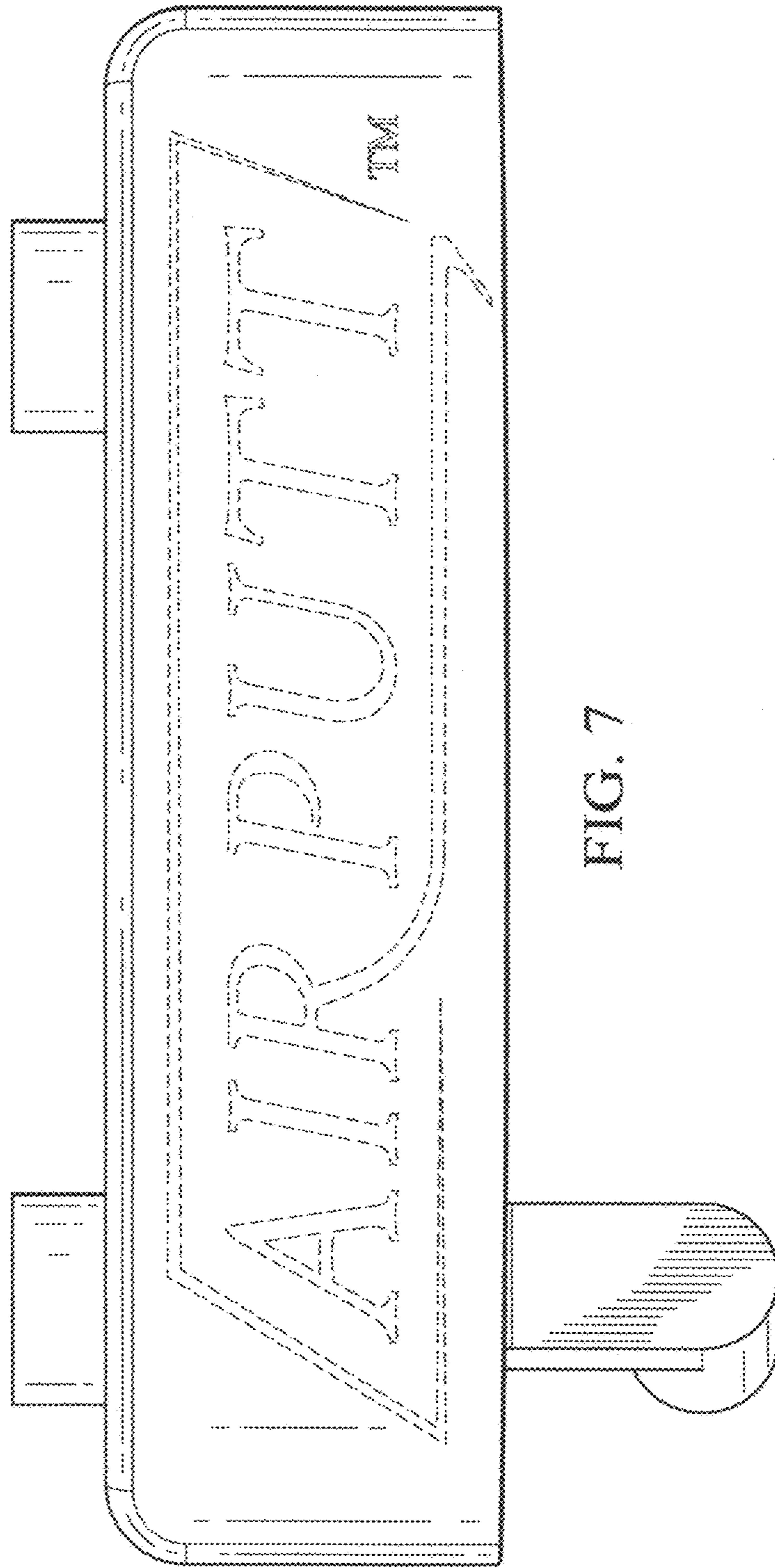


FIG. 7

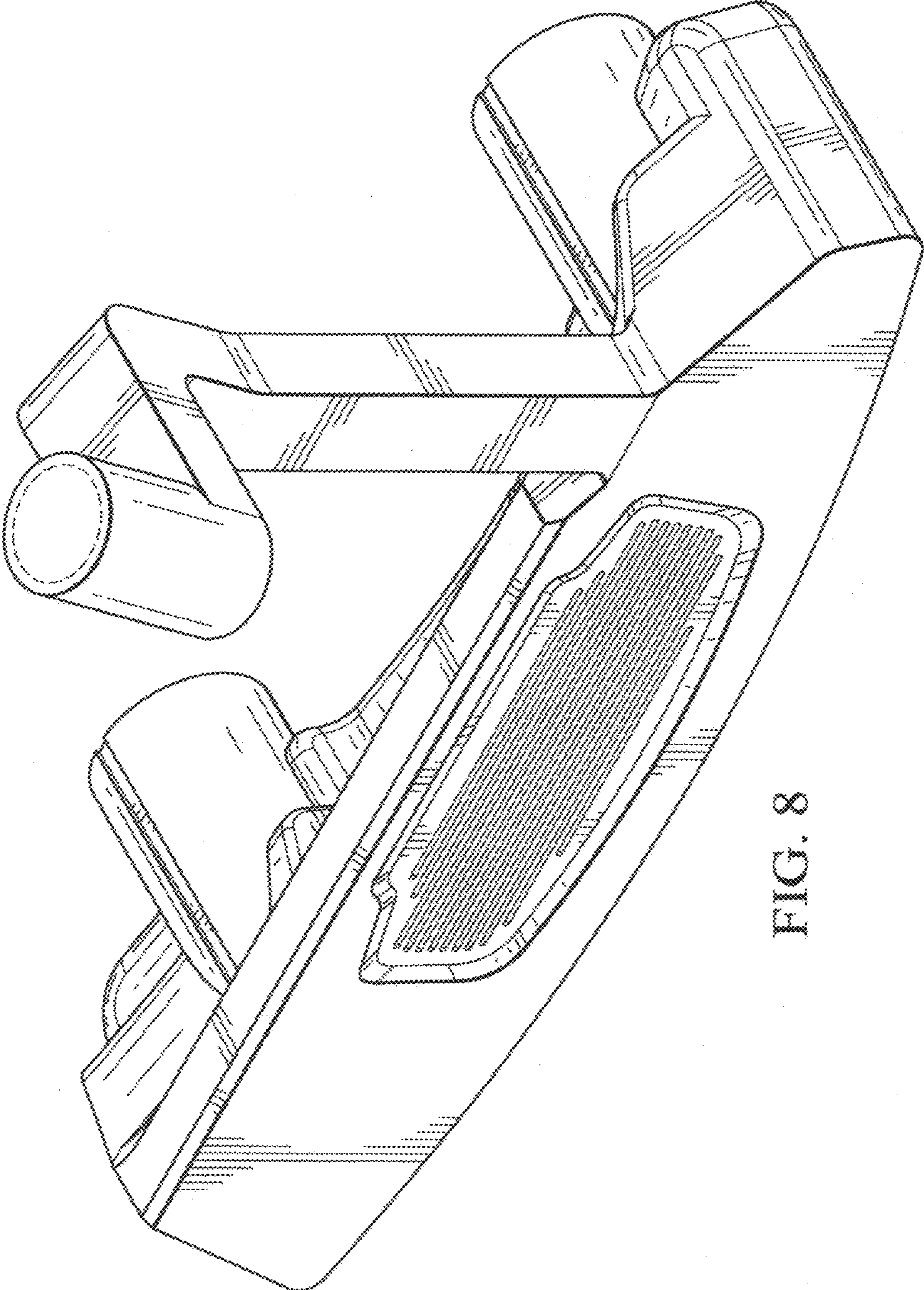


FIG. 8