



US00D783098S

(12) **United States Design Patent** (10) **Patent No.:** **US D783,098 S**
Spencer (45) **Date of Patent:** **** Apr. 4, 2017**

(54) **FIGURINE**

(71) Applicant: **Ryan Johnathan Spencer**, Brampton (CA)

(72) Inventor: **Ryan Johnathan Spencer**, Brampton (CA)

(**) Term: **15 Years**

(21) Appl. No.: **29/549,175**

(22) Filed: **Dec. 18, 2015**

(51) **LOC (10) Cl.** **21-03**

(52) **U.S. Cl.**
 USPC **D21/634**

(58) **Field of Classification Search**
 USPC D21/621, 623, 624, 625, 627, 628, 630, D21/631, 633, 634; 446/268, 360, 361, 446/376, 379, 382-384; D6/595-601
 CPC ... A63H 3/02; A63H 3/04; A63H 3/06; A63H 3/08; A63H 3/10
 See application file for complete search history.

D265,332 S 7/1982 Lucas, Jr. et al.
 D265,754 S 8/1982 Lucas, Jr. et al.
 D266,685 S 10/1982 Freeborn et al.
 D266,780 S 11/1982 Mollo
 D268,941 S 5/1983 Lucas, Jr. et al.
 D277,206 S 1/1985 Carson
 D277,207 S 1/1985 Rodis-Jamero
 D277,208 S 1/1985 Tippett
 D277,209 S 1/1985 Tippett
 D277,210 S 1/1985 Ralston
 D277,213 S 1/1985 Tippett
 D277,214 S 1/1985 Johnston
 D277,215 S 1/1985 Johnston
 D277,303 S 1/1985 Seeds
 D277,883 S 3/1985 Tippett
 D298,446 S 11/1988 Bolger
 D330,348 S * 10/1992 Roper, Jr. D11/160
 D339,391 S 9/1993 Remlinger
 D340,960 S 11/1993 Phinney et al.

(Continued)

Primary Examiner — Zenia Bennett
 (74) *Attorney, Agent, or Firm* — Richard D. Okimaw

(57) **CLAIM**

The ornamental design for the figurine, as shown and described.

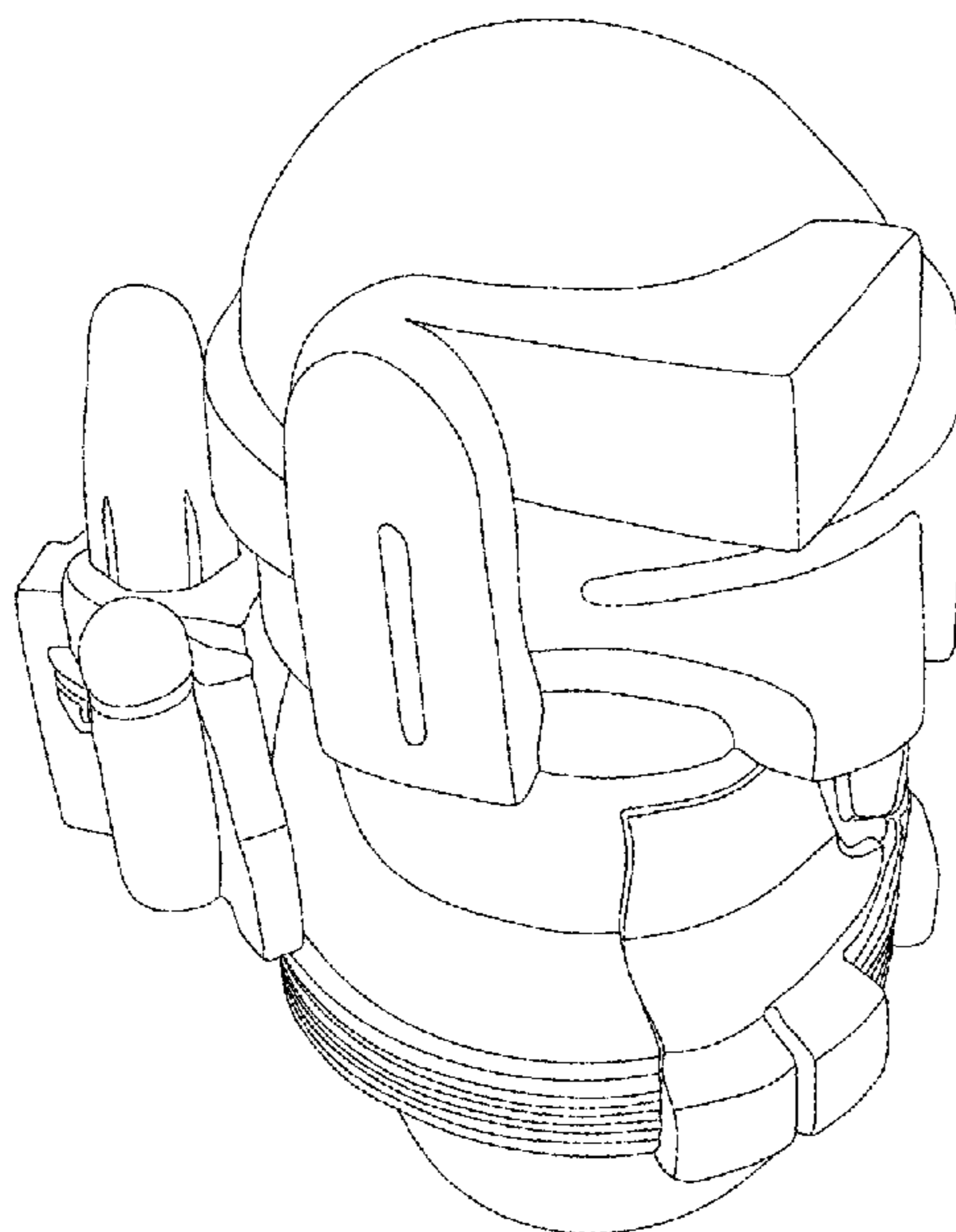
DESCRIPTION

FIG. 1 is a front perspective view of the figurine according to the present design.
 FIG. 2 is a front view of the figurine of FIG. 1.
 FIG. 3 is a back view of the figurine of FIG. 1.
 FIG. 4 is a left side view of the figurine of FIG. 1.
 FIG. 5 is a right side view of the figurine of FIG. 1.
 FIG. 6. is a top view of the figurine of FIG. 1; and,
 FIG. 7. is a bottom view of the figurine of FIG. 1.

1 Claim, 7 Drawing Sheets

(56) **References Cited**
 U.S. PATENT DOCUMENTS

D248,176 S 6/1978 Tapdrup
 D248,582 S 7/1978 Tapdrup
 D251,627 S 4/1979 McQuarrie et al.
 D251,628 S 4/1979 McQuarrie et al.
 D252,761 S 8/1979 D'Aguanno et al.
 D252,762 S 8/1979 Rossi et al.
 D254,746 S 4/1980 Ogihara
 D264,109 S 4/1982 Lucas et al.
 D265,109 S 6/1982 Freeborn et al.
 D265,330 S 7/1982 Lucas, Jr. et al.
 D265,331 S 7/1982 Lucas, Jr. et al.



(56)

References Cited

U.S. PATENT DOCUMENTS

D344,111	S	2/1994	Israel	
D352,374	S	* 11/1994	Kanedo	D21/634
D354,097	S	* 1/1995	Dye	D21/631
D416,058	S	* 11/1999	Gomez, III	D11/160
D430,239	S	8/2000	Rogers	
D444,514	S	* 7/2001	Jenkins	D21/577
D450,787	S	* 11/2001	Jenkins	D21/577
D494,642	S	8/2004	Bresciani et al.	
D495,764	S	9/2004	Bresciani et al.	
D497,400	S	* 10/2004	Dykstra	D11/160
D574,898	S	* 8/2008	Auberger	D21/621
D616,507	S	* 5/2010	Fisher	D21/621
D616,508	S	* 5/2010	Fisher	D21/621
D656,564	S	3/2012	Kratz	
2009/0075555	A1	3/2009	Barthold	
2013/0084772	A1	4/2013	Benecke et al.	
2014/0199911	A1	7/2014	Shamus	
2015/0238880	A1	8/2015	Austin	

* cited by examiner

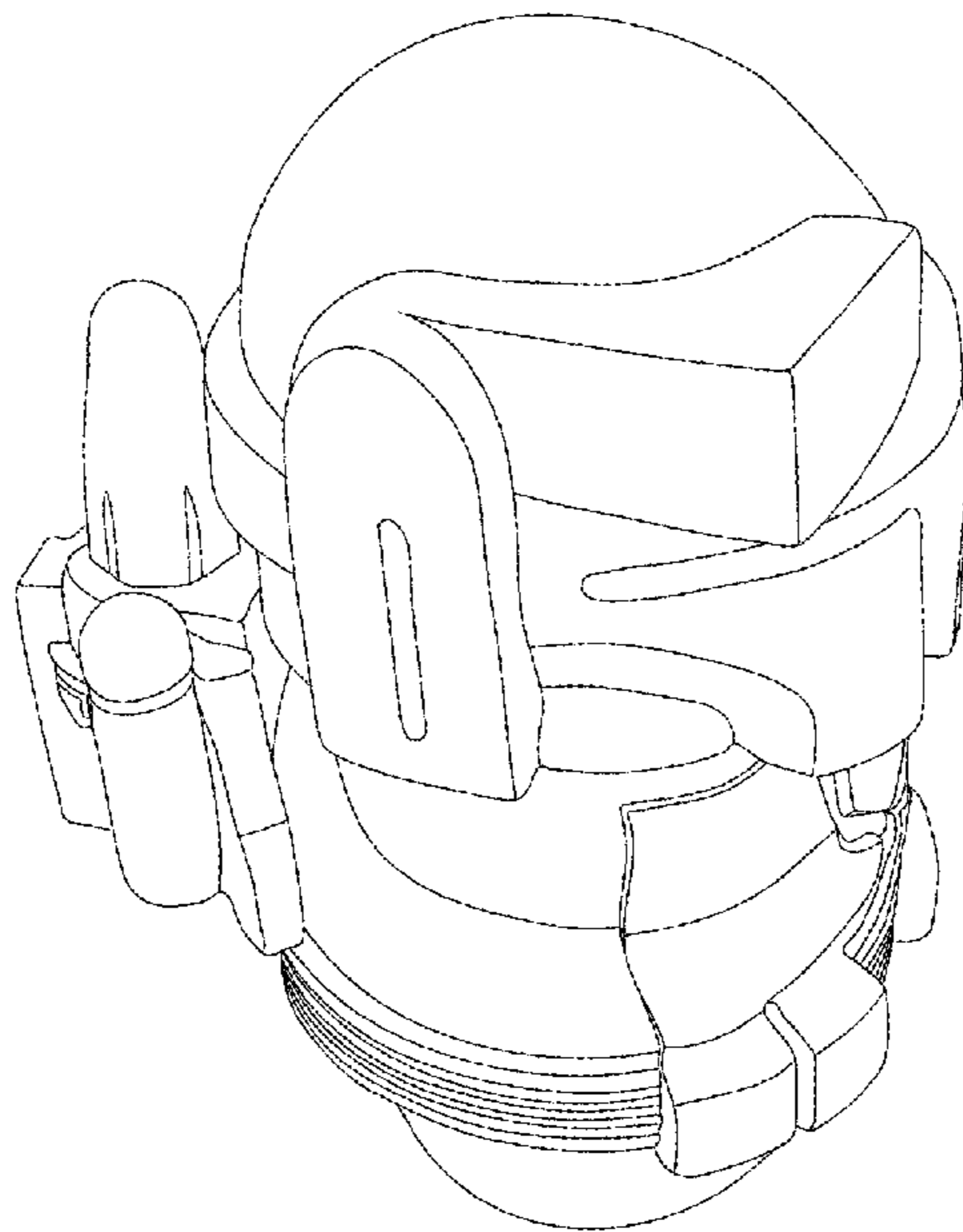


FIG 1

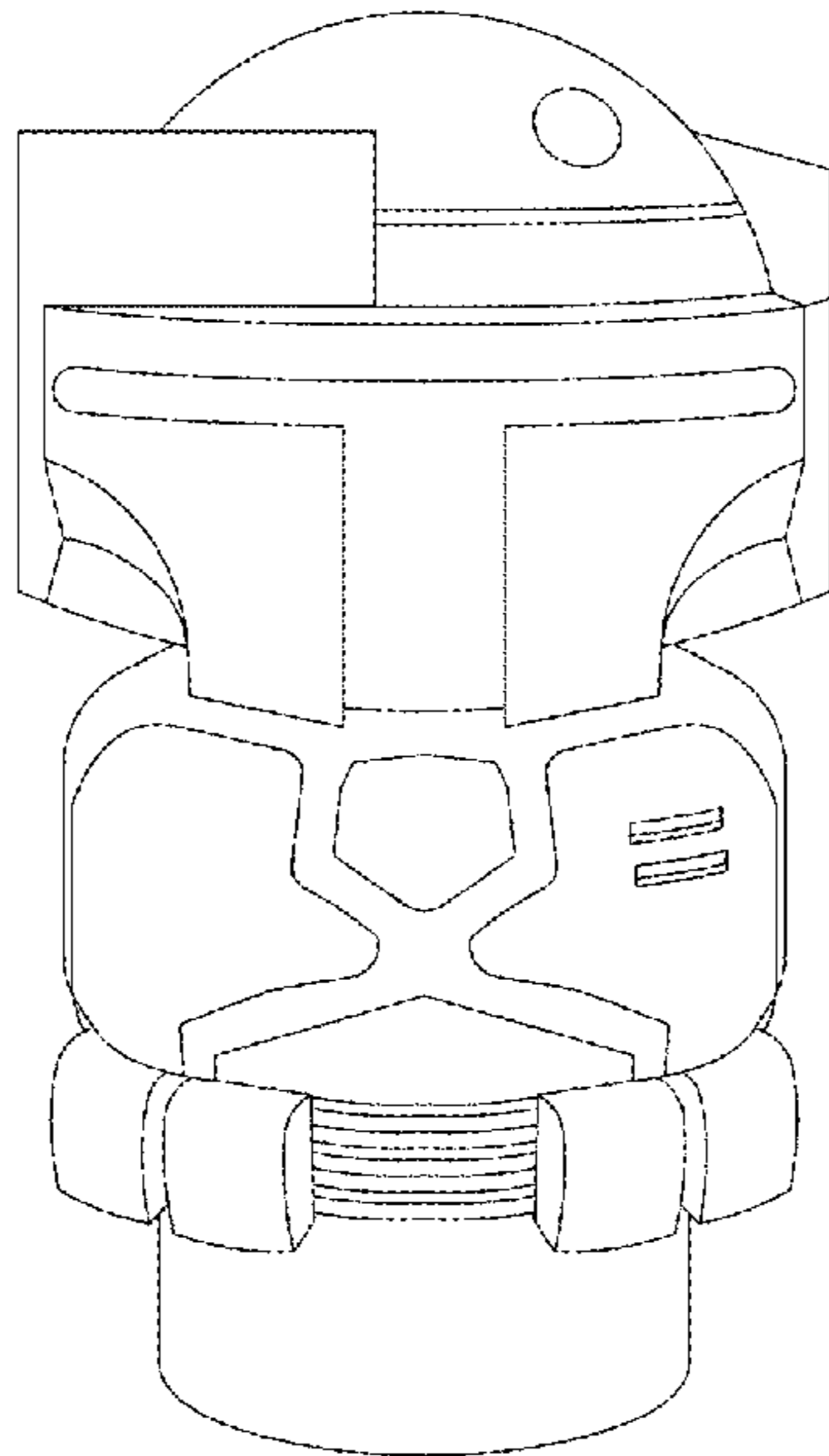


FIG 2

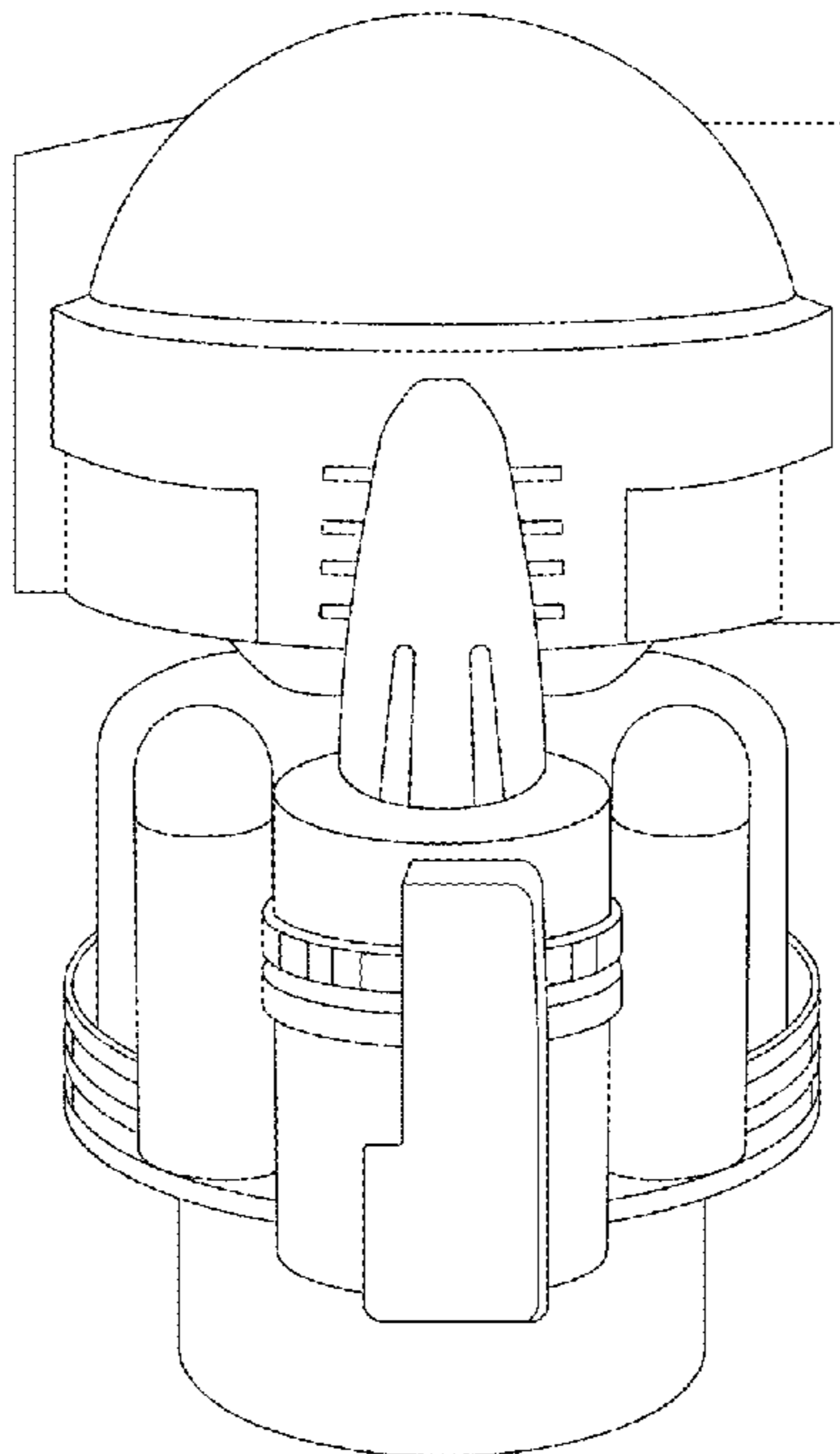


FIG 3

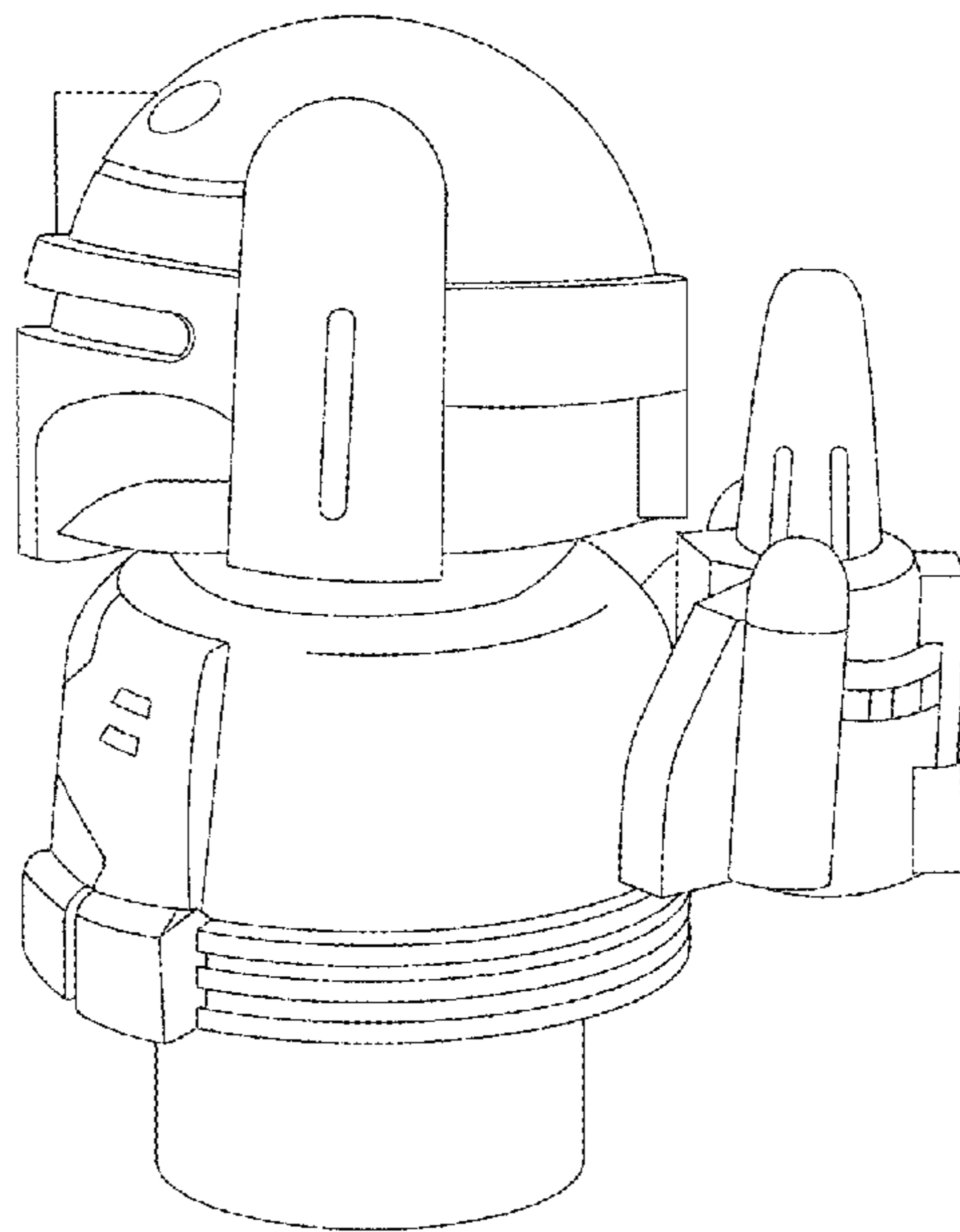


FIG 4

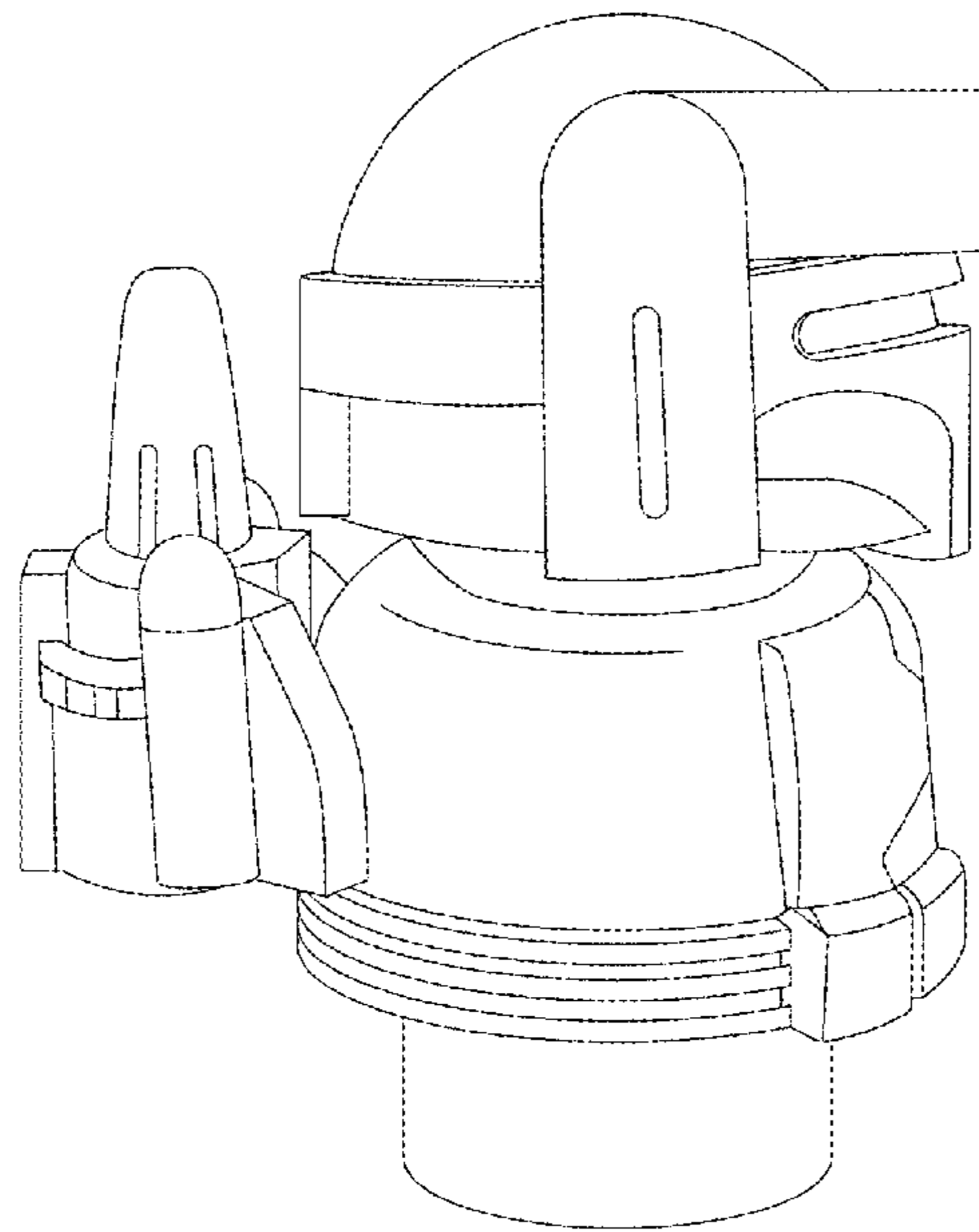


FIG 5

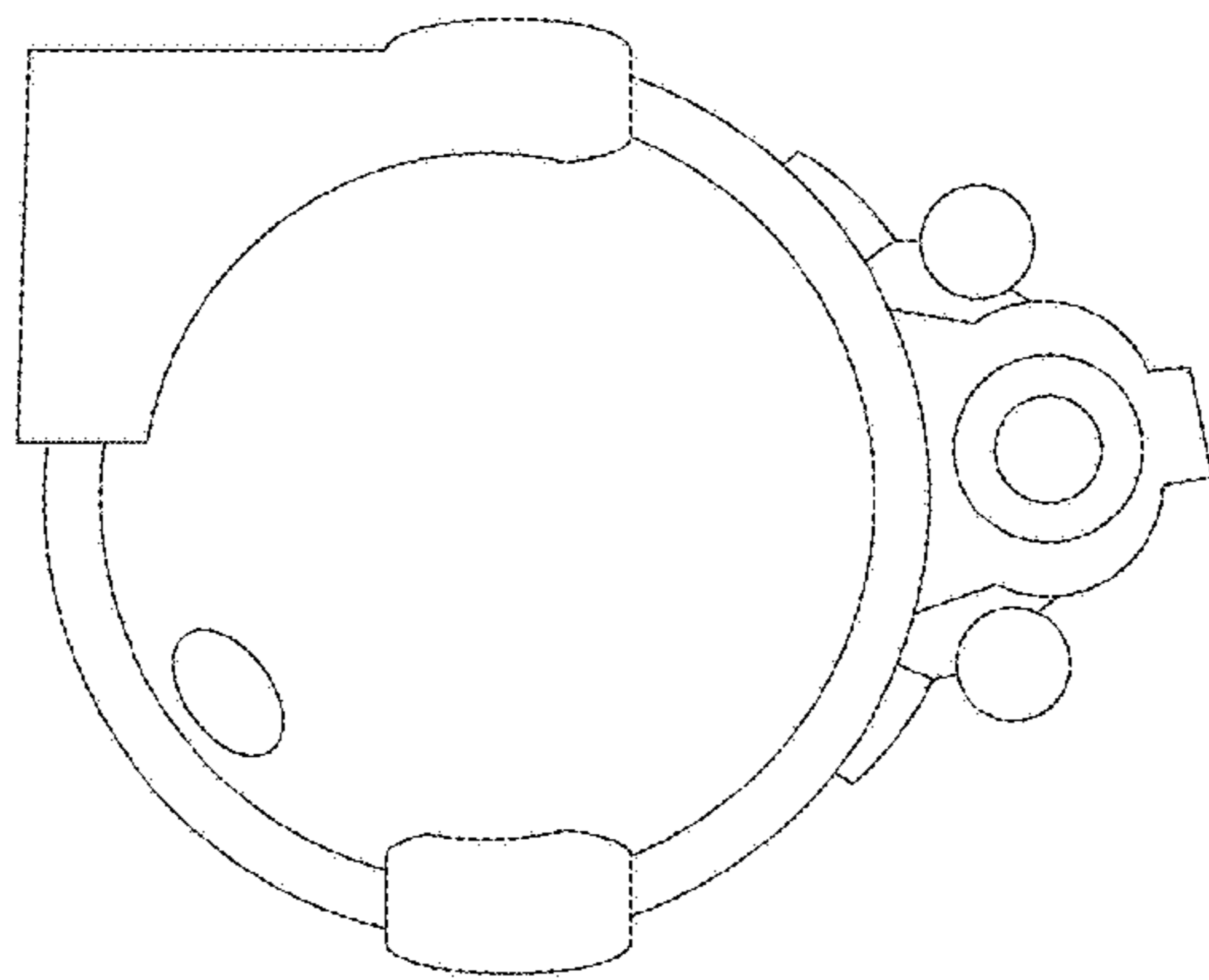


FIG 6

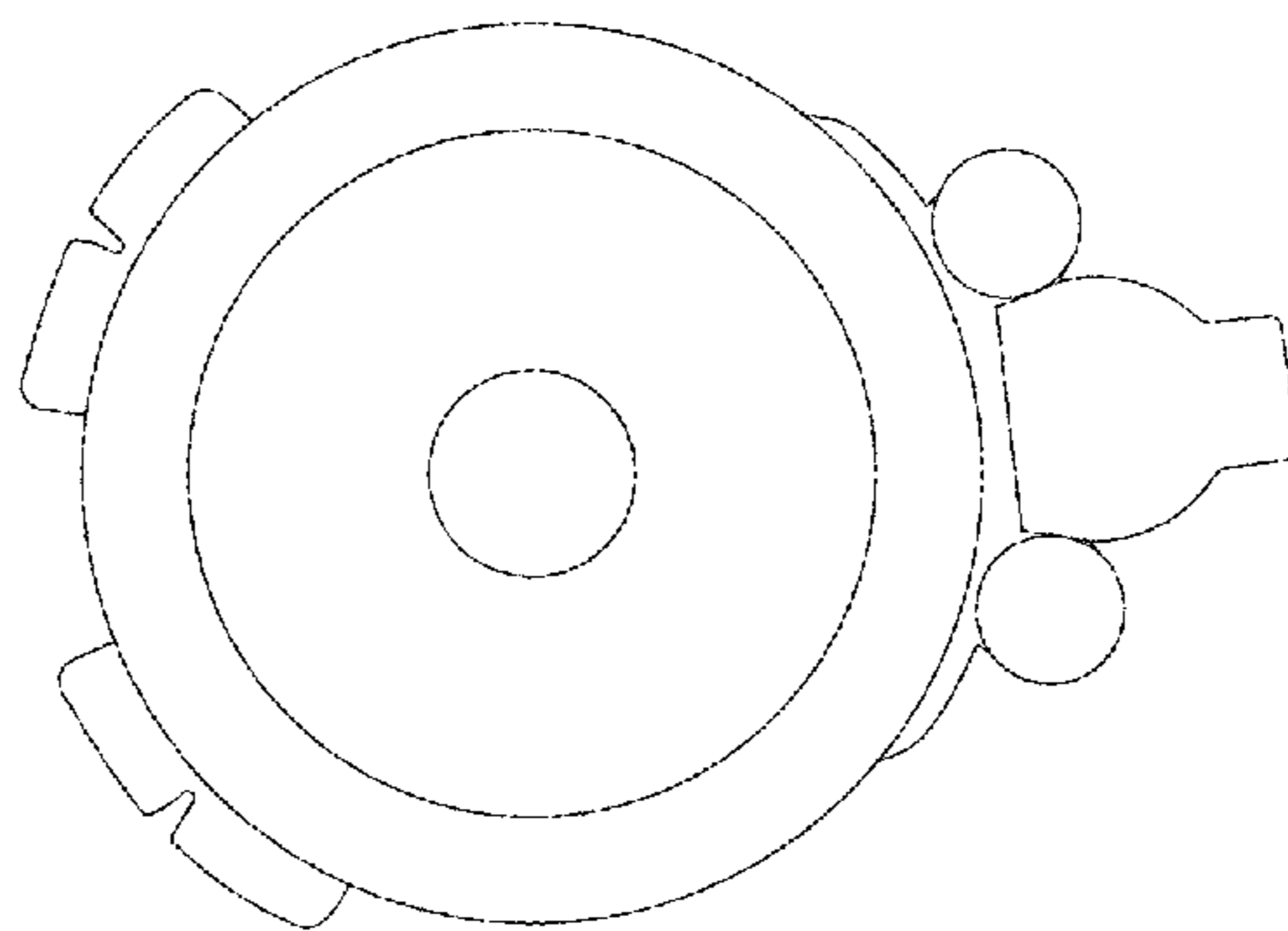


FIG 7