



US00D783094S

(12) **United States Design Patent**
Shepherd

(10) **Patent No.:** **US D783,094 S**
(45) **Date of Patent:** **** Apr. 4, 2017**

(54) **BILLIARD THEMED RING SWINGING TARGET GAME**

(71) Applicant: **Gerry Alan Shepherd**, Havelock, NC (US)

(72) Inventor: **Gerry Alan Shepherd**, Havelock, NC (US)

(**) Term: **15 Years**

(21) Appl. No.: **29/549,755**

(22) Filed: **Dec. 28, 2015**

(51) **LOC (10) Cl.** **21-01**

(52) **U.S. Cl.**
USPC **D21/304**; D21/302

(58) **Field of Classification Search**
USPC D21/300, 302, 305, 334, 335; 273/348, 273/336, 398-402, 407, 317, 371.1, 343, 273/367-369, 371, 381, 386
CPC A63F 7/06; A63F 3/02; A63F 3/06; A63F 9/02; A63B 67/00; A63B 63/08; A63B 7/00

See application file for complete search history.

(56) **References Cited**

U.S. PATENT DOCUMENTS

- 1,398,511 A * 11/1921 Hanrath A63B 67/10
273/332
- D152,821 S * 2/1949 O'Neil 248/431
- 2,942,886 A 6/1960 Ackerman
- 2,991,034 A * 7/1961 Lyon A63B 67/10
248/121
- 3,232,285 A * 2/1966 Rasner A63B 65/122
124/21
- 3,930,649 A * 1/1976 Yackel, Jr. A63B 67/10
273/331
- 4,120,498 A 10/1978 Mutschler et al.
- D257,745 S * 12/1980 Abraham D21/304
- D266,013 S * 8/1982 Perry D21/304

- 4,564,200 A * 1/1986 Loring A63B 67/10
273/332
- D285,811 S 9/1986 Donahoe
- D288,828 S * 3/1987 Romestan D21/304
- 4,739,995 A * 4/1988 Yackel, Jr. A63B 67/10
273/331
- 5,954,597 A * 9/1999 Smith A63B 69/0079
473/428
- D423,057 S * 4/2000 Mooney D21/304
- 7,896,349 B2 3/2011 Pershin et al.
- 8,011,664 B2 9/2011 Hilbert, Jr. et al.
- 2009/0206550 A1 * 8/2009 Pershin A63B 67/10
273/332
- 2014/0049007 A1 2/2014 McGetrick et al.

FOREIGN PATENT DOCUMENTS

WO WO2010126918 11/2010

* cited by examiner

Primary Examiner — Prabhakar Deshmukh

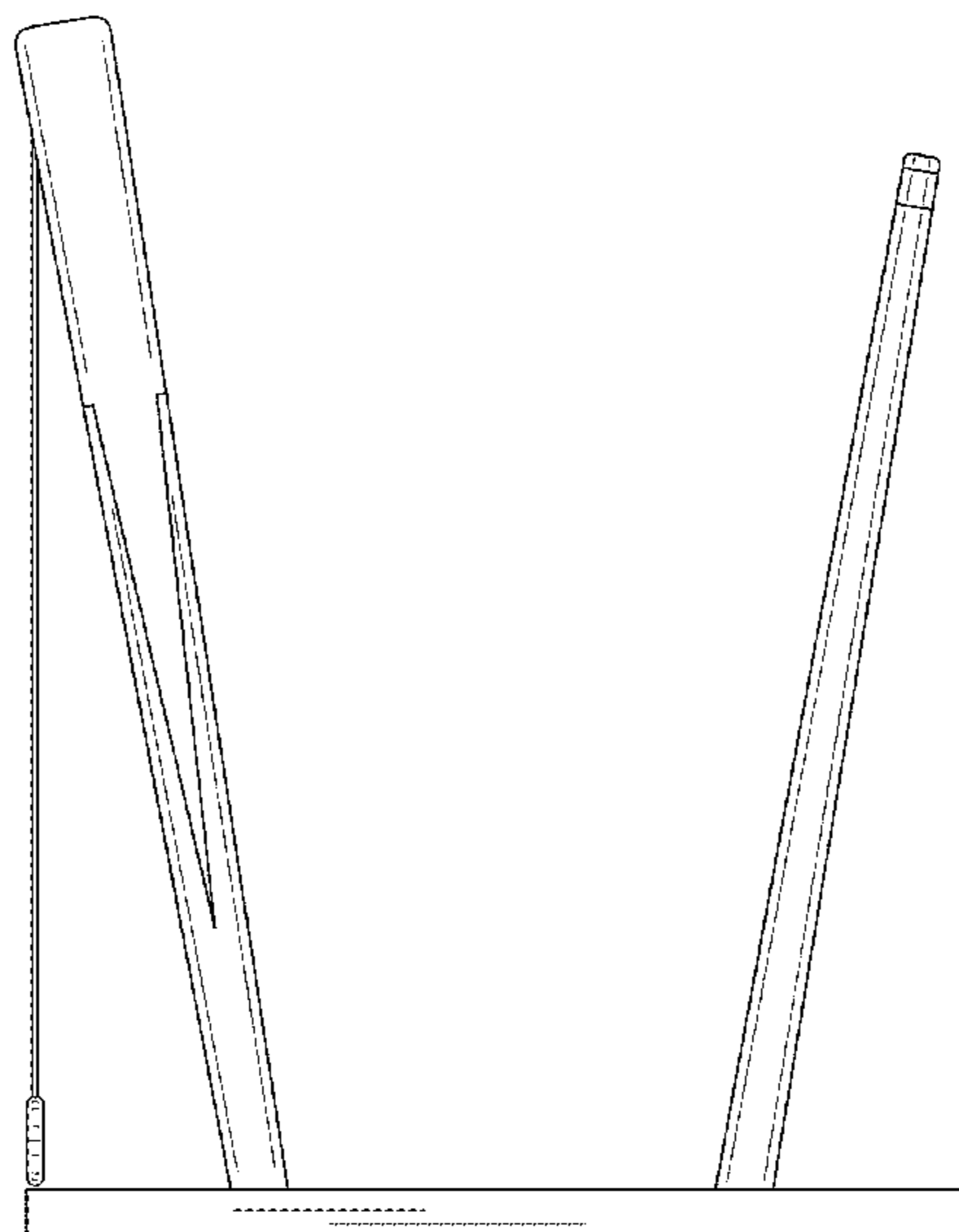
(57) **CLAIM**

The ornamental design for a billiard themed ring swinging target game, as shown and described.

DESCRIPTION

FIG. 1 is a front view of a billiard themed ring swinging target game showing my new design;
 FIG. 2 is a rear view of the billiard themed ring swinging target game;
 FIG. 3 is a left side view of the billiard themed ring swinging target game;
 FIG. 4 is a right side view of the billiard themed ring swinging target game;
 FIG. 5 is a top view of the billiard themed ring swinging target game; and,
 FIG. 6 is a bottom view of the billiard themed ring swinging target game.

1 Claim, 4 Drawing Sheets



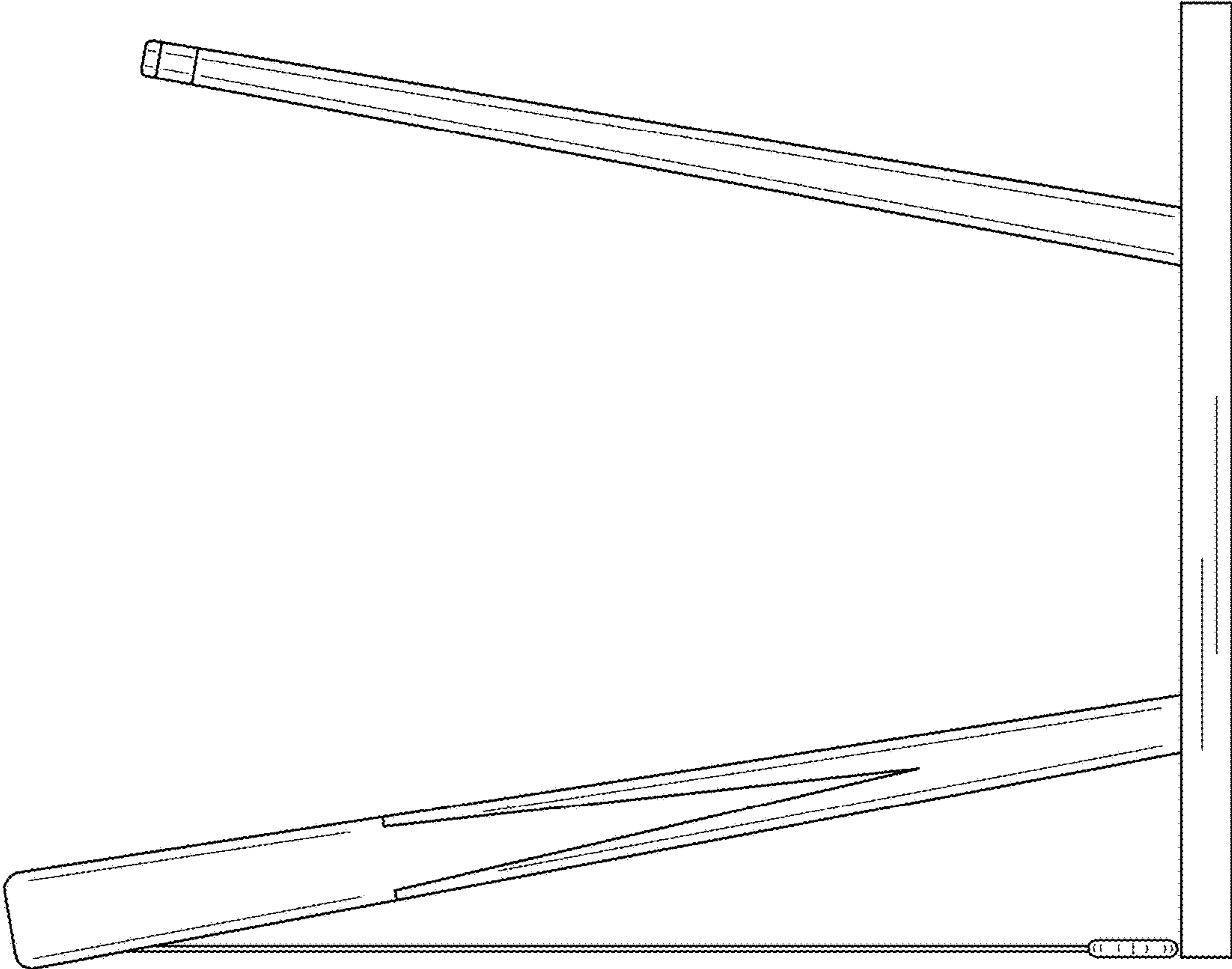


FIG. 1

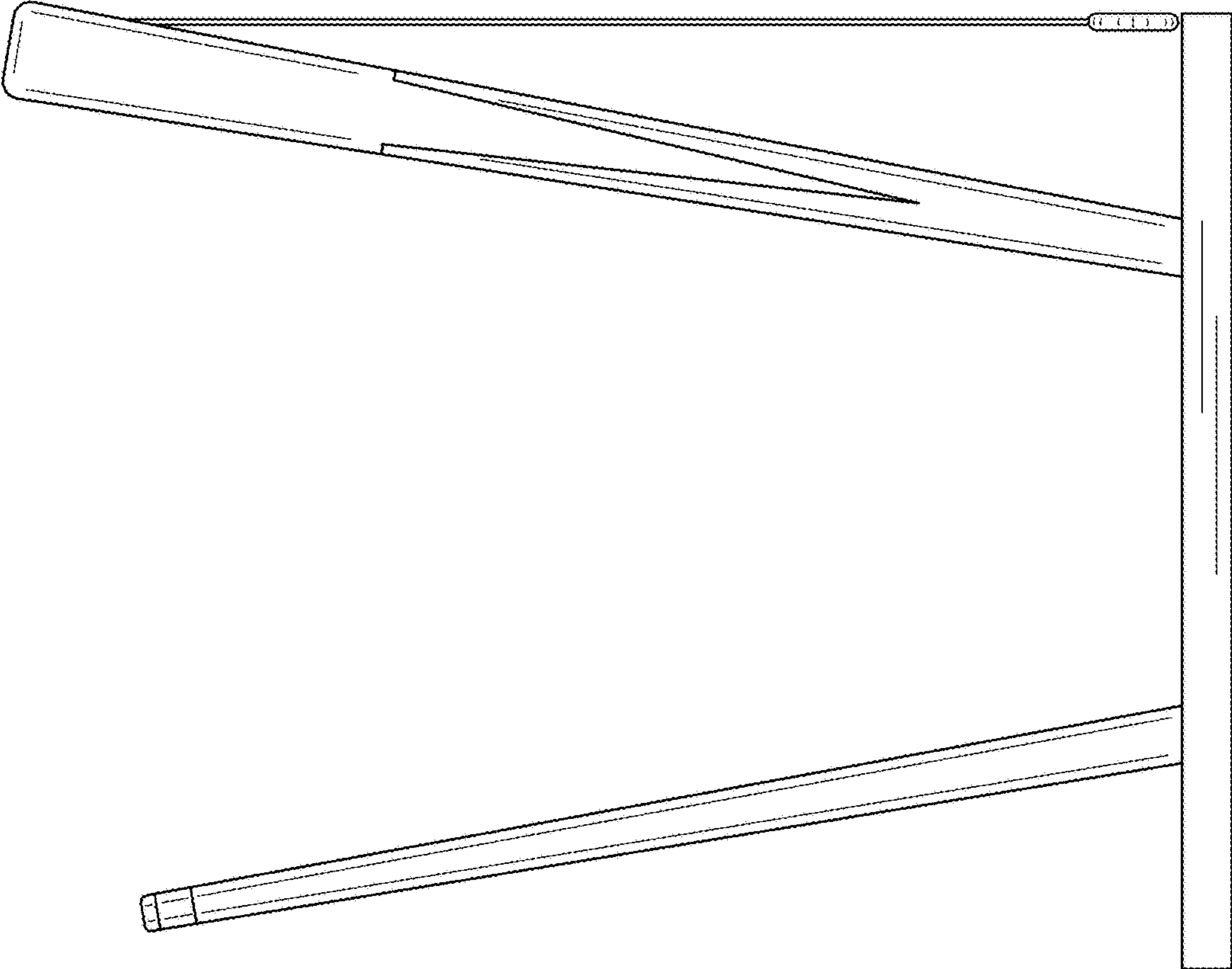


FIG. 2

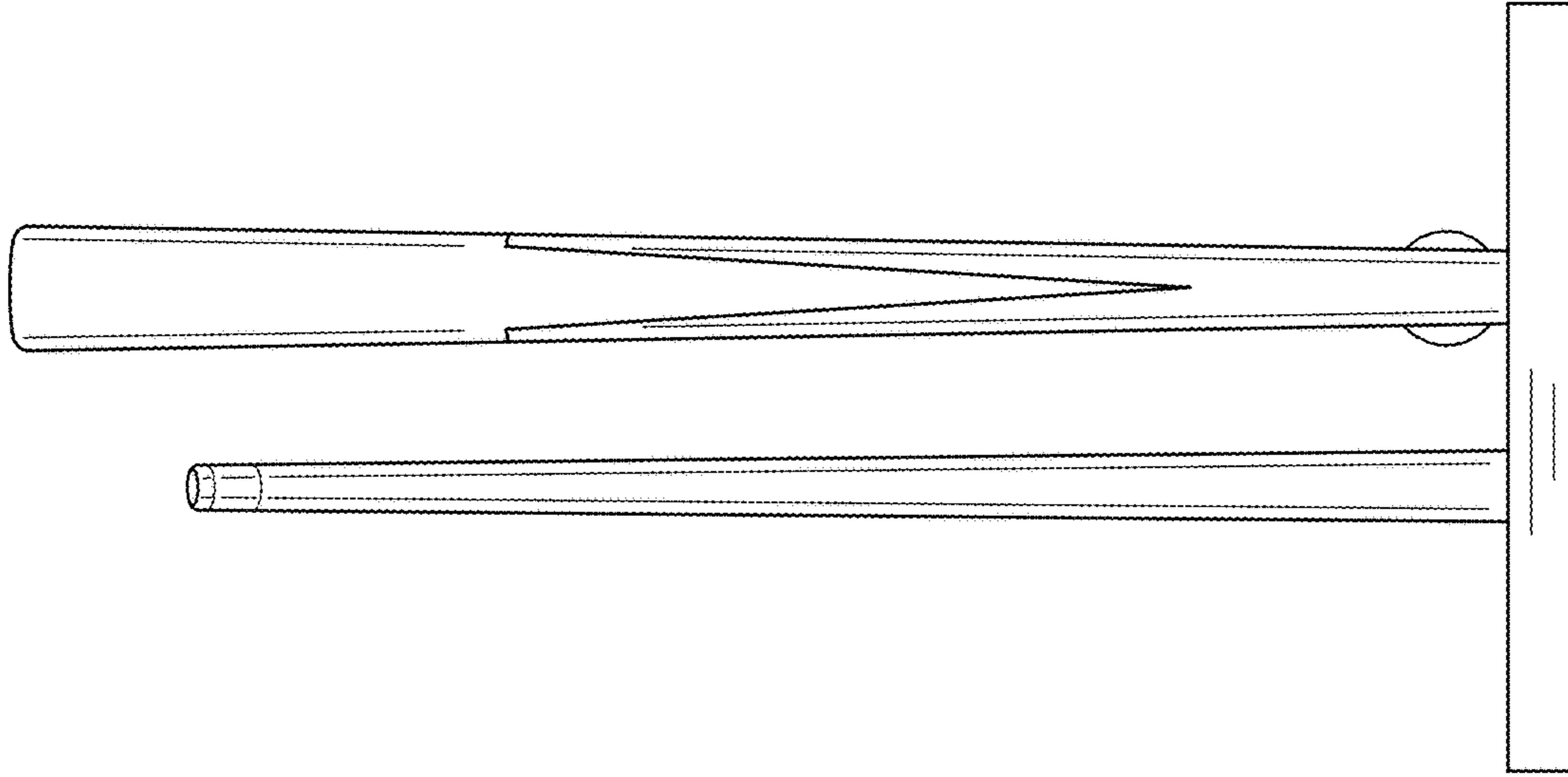


FIG. 4

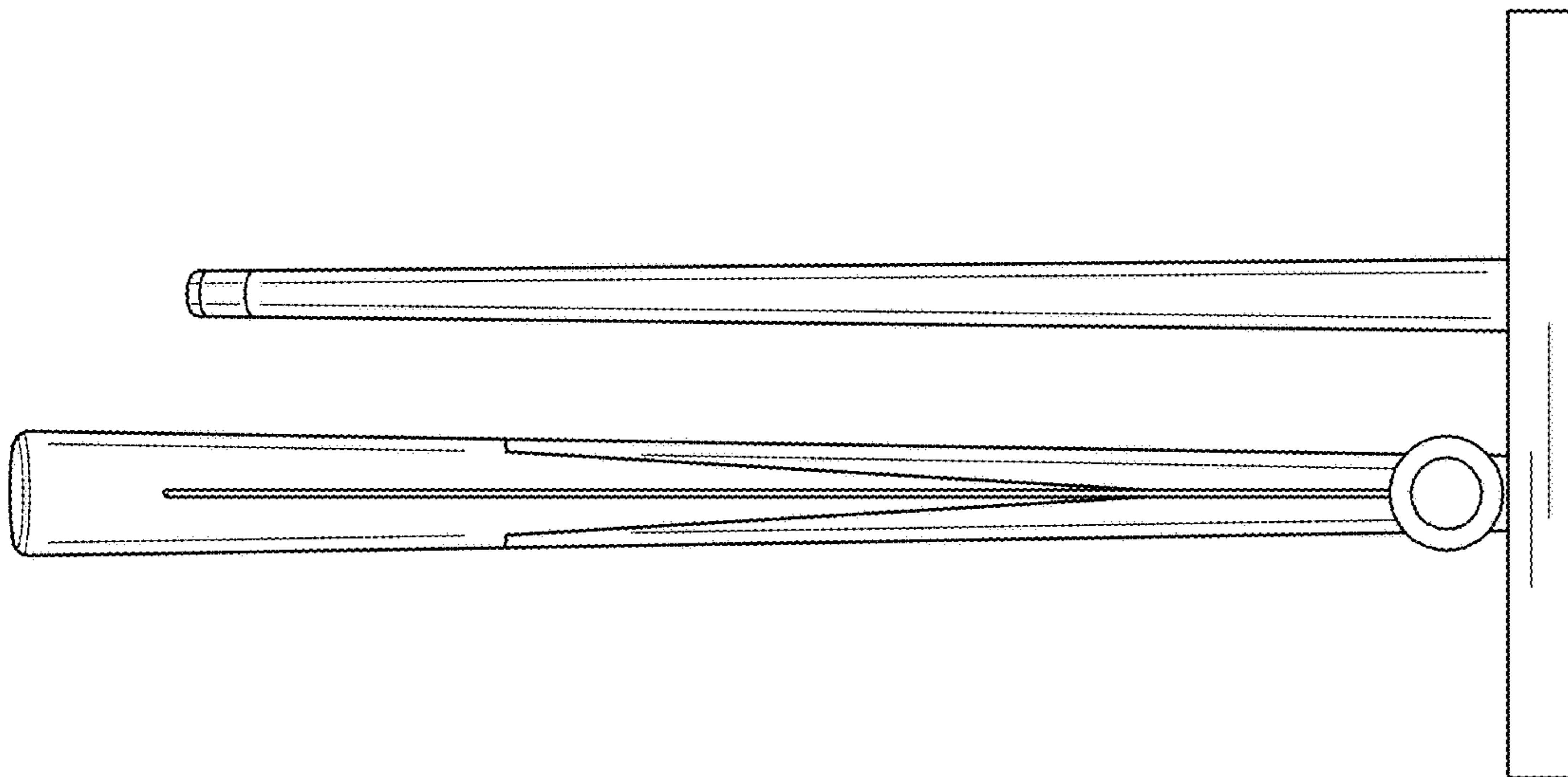


FIG. 3

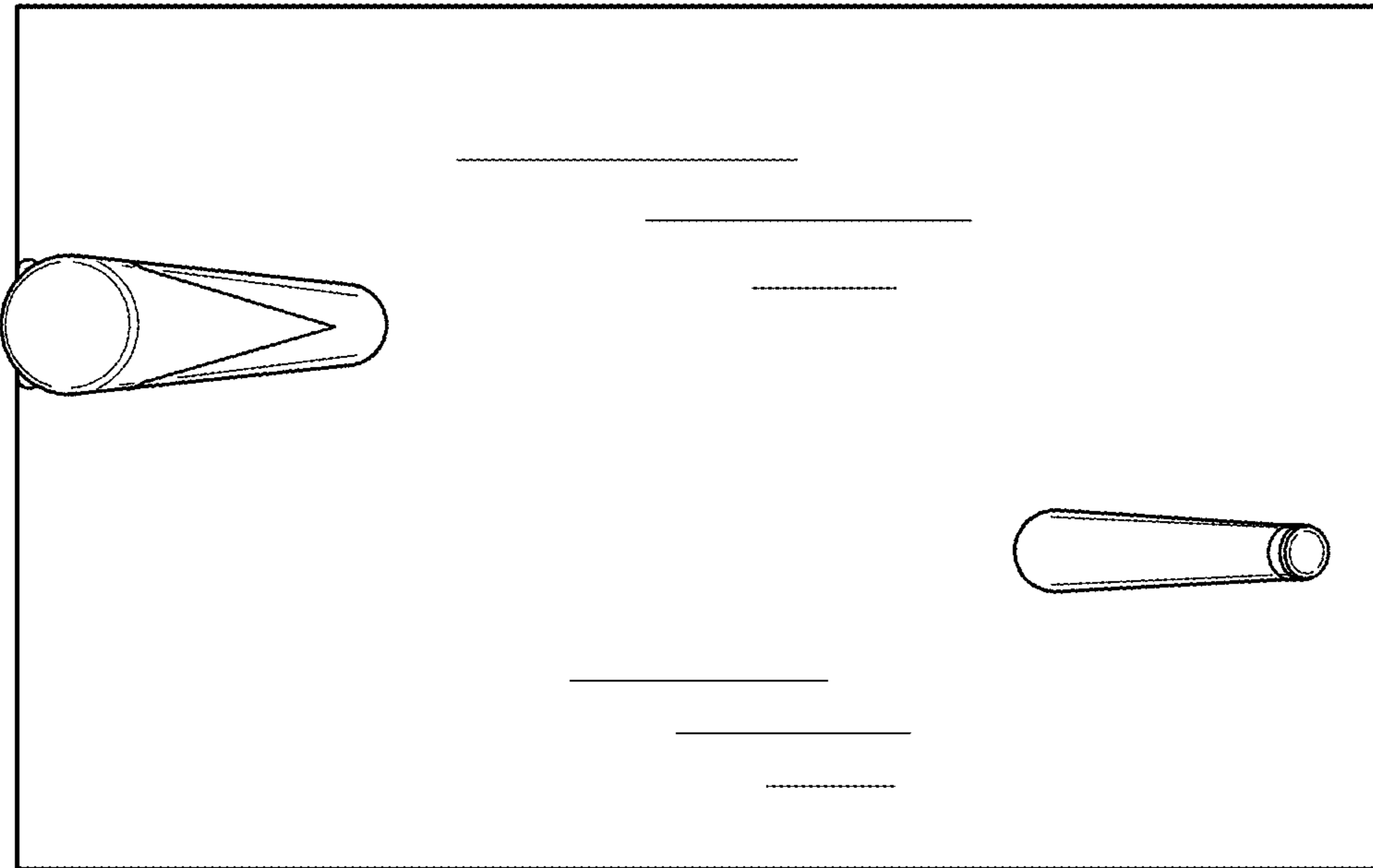


FIG. 5

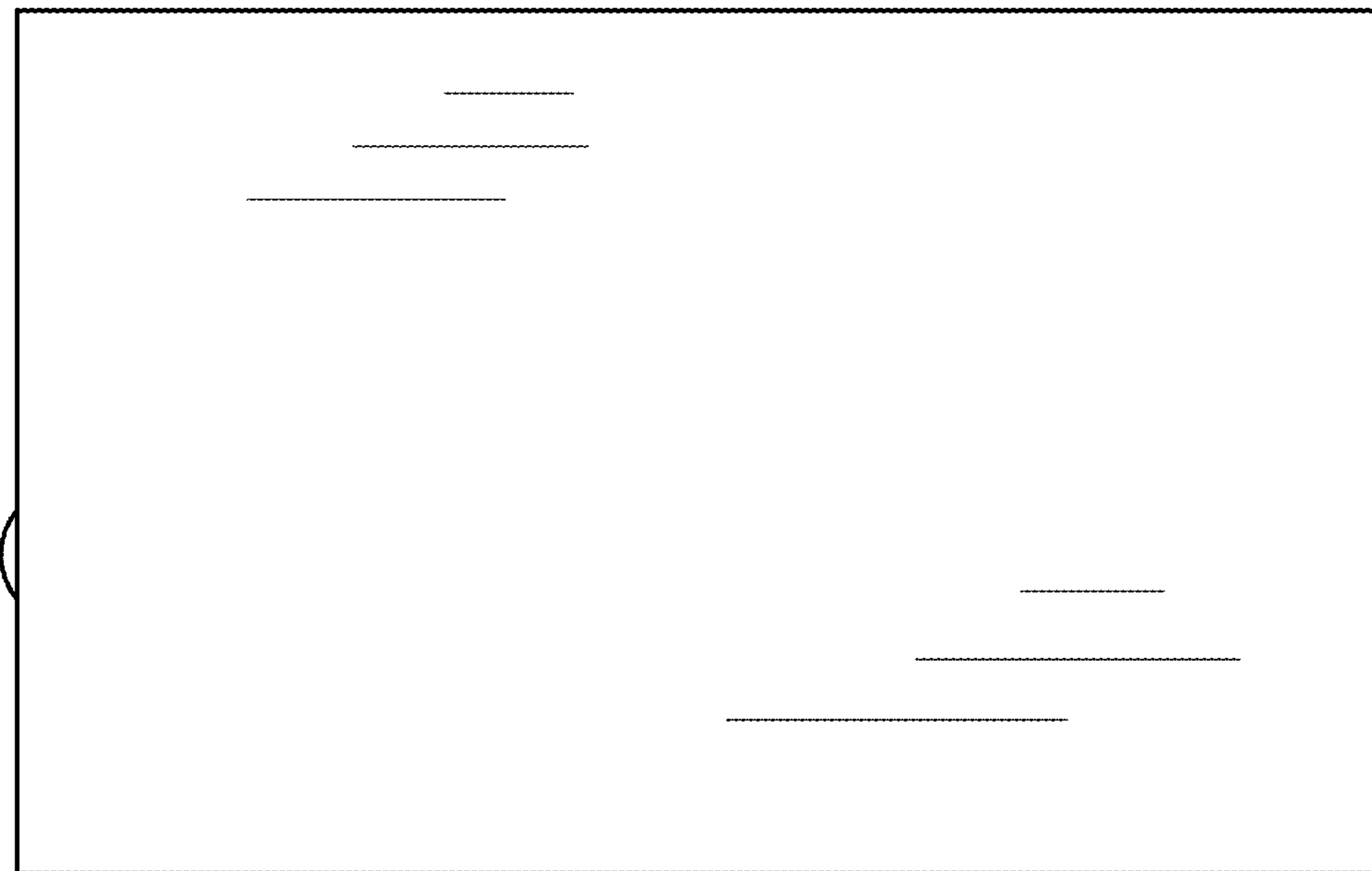


FIG. 6