



US00D783093S

(12) **United States Design Patent**
Miller et al.

(10) **Patent No.:** **US D783,093 S**
(45) **Date of Patent:** **** Apr. 4, 2017**

- (54) **PEN**
- (71) Applicant: **Poppin, Inc.**, New York, NY (US)
- (72) Inventors: **Jeffrey Frederick Miller**, New York, NY (US); **Matteo Bonacina**, New York, NY (US); **Adrian Gomez**, Edgewater, NJ (US); **Justin Daniel Dollinger**, New York, NY (US)
- (73) Assignee: **POPPIN, INC.**, New York, NY (US)
- (**) Term: **15 Years**
- (21) Appl. No.: **29/533,175**
- (22) Filed: **Jul. 15, 2015**
- (51) **LOC (10) Cl.** **19-06**
- (52) **U.S. Cl.**
USPC **D19/173; D19/929**
- (58) **Field of Classification Search**
USPC D14/411; D19/115–204
CPC ... B43K 5/00; B43K 7/00; B43K 7/10; B43K 7/12; B43K 8/04; B43K 19/00; B43K 19/02; B43K 19/14
See application file for complete search history.

- D301,487 S * 6/1989 Audet D19/131
- D312,391 S * 11/1990 Vitrac D19/166
- D416,042 S * 11/1999 Burkhardt, Jr. D19/179
- D499,448 S * 12/2004 Rommel D19/175
- D500,793 S * 1/2005 Koch D19/172

(Continued)

Primary Examiner — Elizabeth Albert
(74) *Attorney, Agent, or Firm* — K&L Gates LLP

(57) **CLAIM**

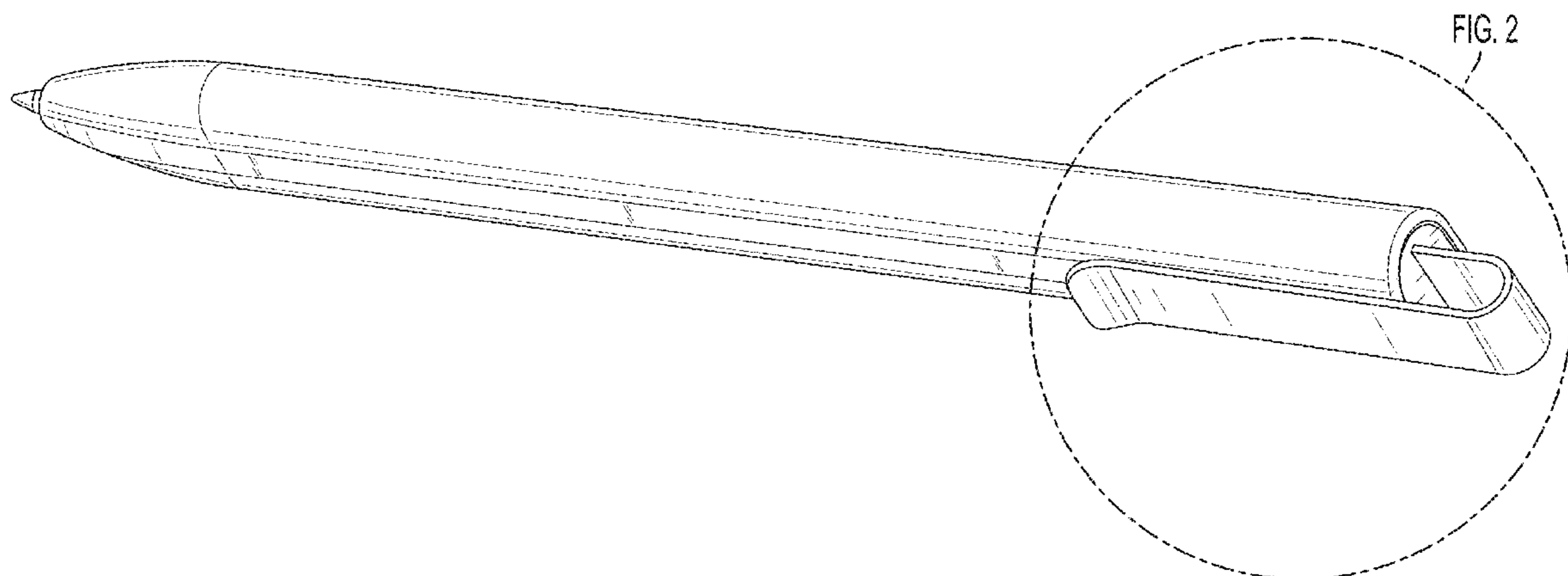
The ornamental design for a pen, as shown and described.

DESCRIPTION

FIG. 1 is a front perspective view of a pen showing our new design;
 FIG. 2 is a detailed view of the pen shown in FIG. 1;
 FIG. 3 is a back elevation view thereof;
 FIG. 4 is a front elevation view thereof;
 FIG. 5 is a detailed view of the pen shown in FIG. 4;
 FIG. 6 is a side elevation view thereof;
 FIG. 7 is a detailed view of the pen shown in FIG. 6;
 FIG. 8 is another side elevation view thereof;
 FIG. 9 is a top plan view thereof;
 FIG. 10 is a detailed view of the pen shown in FIG. 9;
 FIG. 11 is a bottom plan view thereof;
 FIG. 12 is a detailed view of the pen shown in FIG. 11;
 FIG. 13 is a front perspective view of the pen with the point retracted;
 FIG. 14 is a back elevation view thereof;
 FIG. 15 is a front elevation view thereof;
 FIG. 16 is a side elevation view thereof;
 FIG. 17 is another side elevation view thereof;
 FIG. 18 is a top plan view thereof; and,
 FIG. 19 is a bottom plan view thereof.

1 Claim, 16 Drawing Sheets

- (56) **References Cited**
U.S. PATENT DOCUMENTS
- 2,039,410 A * 5/1936 Harris B43K 25/026
15/432
- D122,132 S * 8/1940 Turet et al. 24/11 F
- 3,225,746 A * 12/1965 Hechtle B43K 24/163
401/112
- 3,315,395 A * 4/1967 Kirklen B43K 29/007
40/334
- 3,334,615 A * 8/1967 Bross B43K 24/084
401/110



(56)

References Cited

U.S. PATENT DOCUMENTS

D546,883	S	*	7/2007	Briggl	D19/170
D552,176	S	*	10/2007	Schnug	D19/170
D580,491	S	*	11/2008	Fei	D19/171
D586,398	S	*	2/2009	Cheng	D19/197
D589,559	S	*	3/2009	Slemp	D19/169
D590,883	S	*	4/2009	Dong	D19/159
D596,228	S	*	7/2009	Koch	D19/173
D598,955	S	*	8/2009	Briggl	D19/176
D644,691	S	*	9/2011	Pagani	D19/173
D656,989	S	*	4/2012	Briggl	D14/480.3
D667,879	S	*	9/2012	Li	D19/170
D716,378	S	*	10/2014	Martin	D19/170
D736,317	S	*	8/2015	Miller	D19/173
D742,967	S	*	11/2015	Lei	D19/173
D746,375	S	*	12/2015	Ossola	D19/177

* cited by examiner

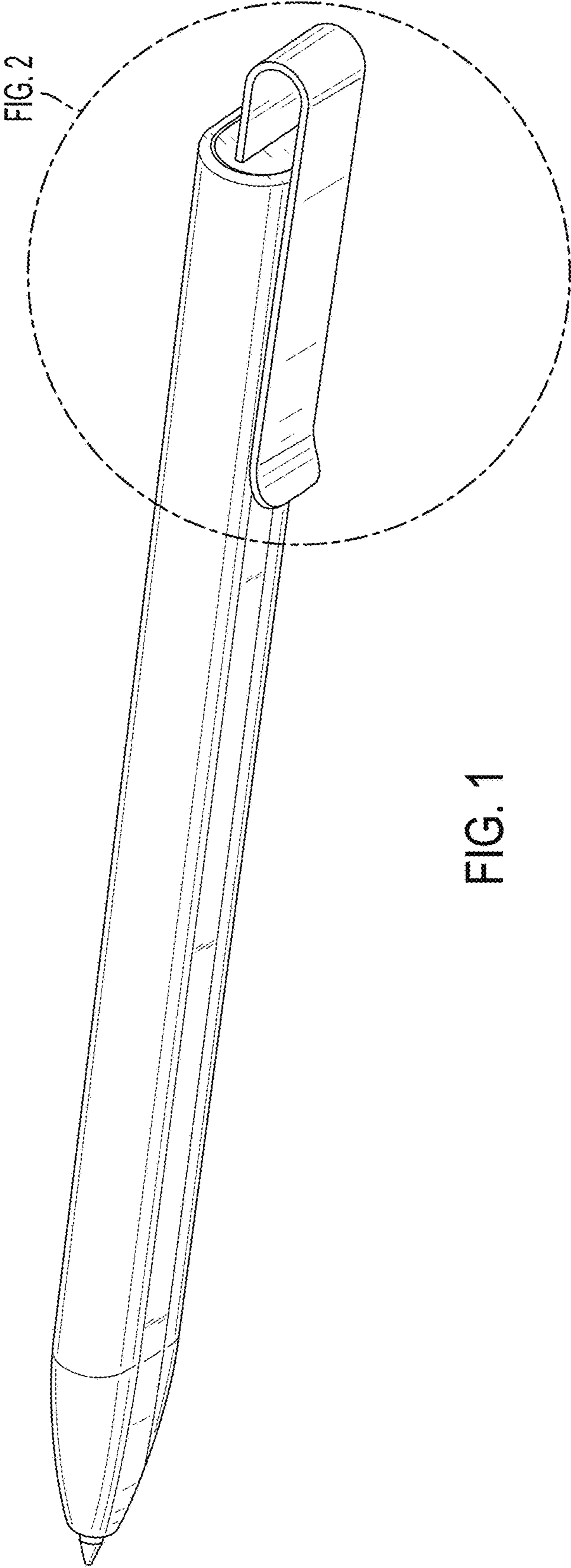


FIG. 1

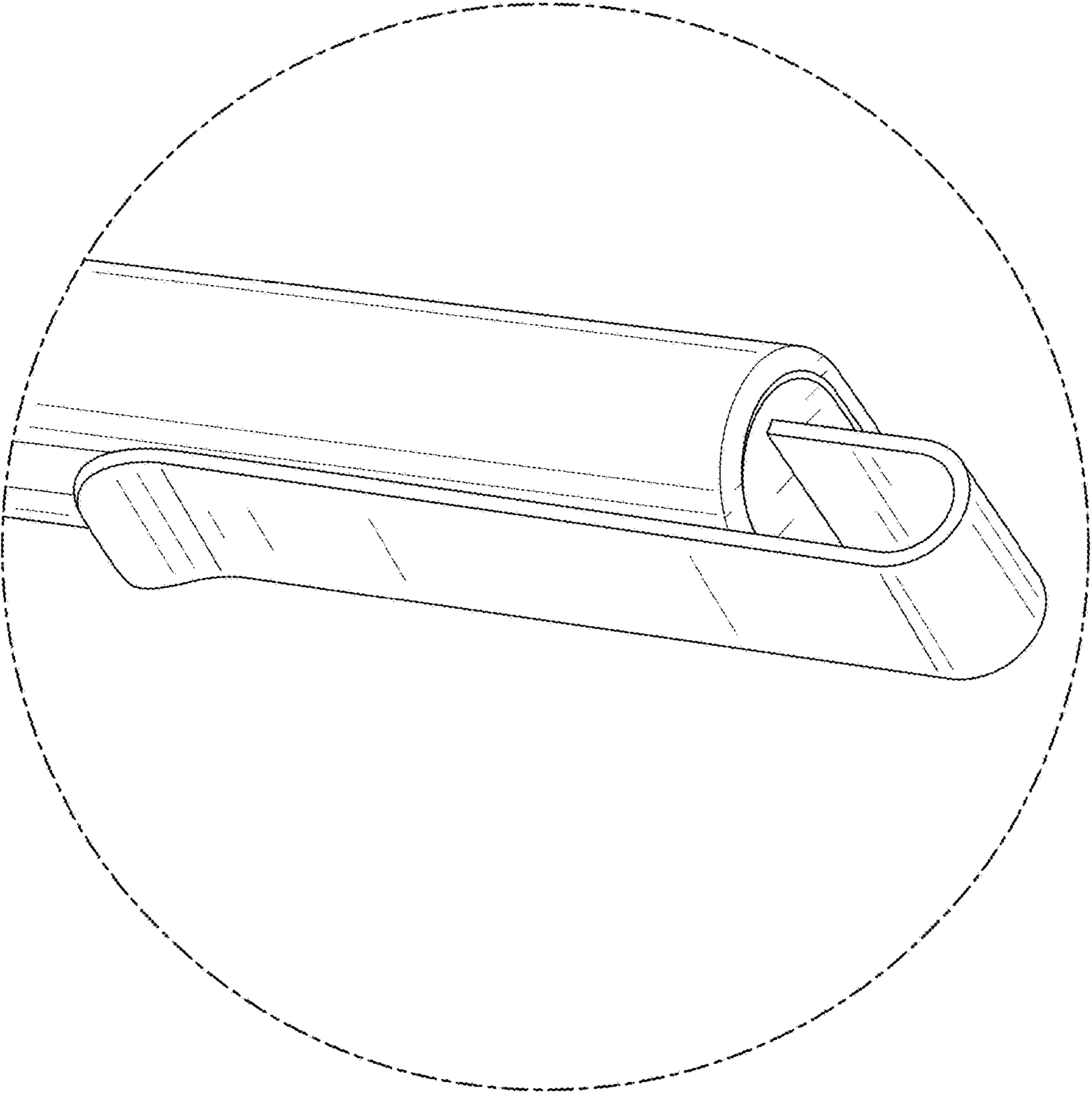


FIG. 2

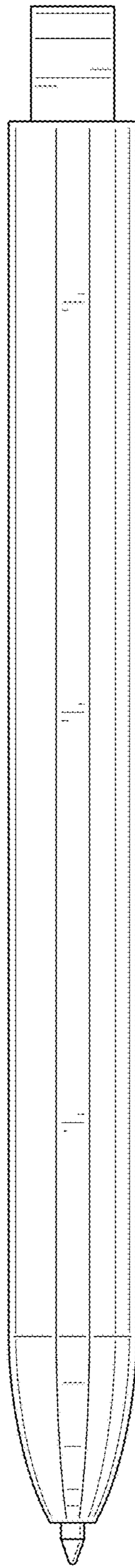


FIG. 3

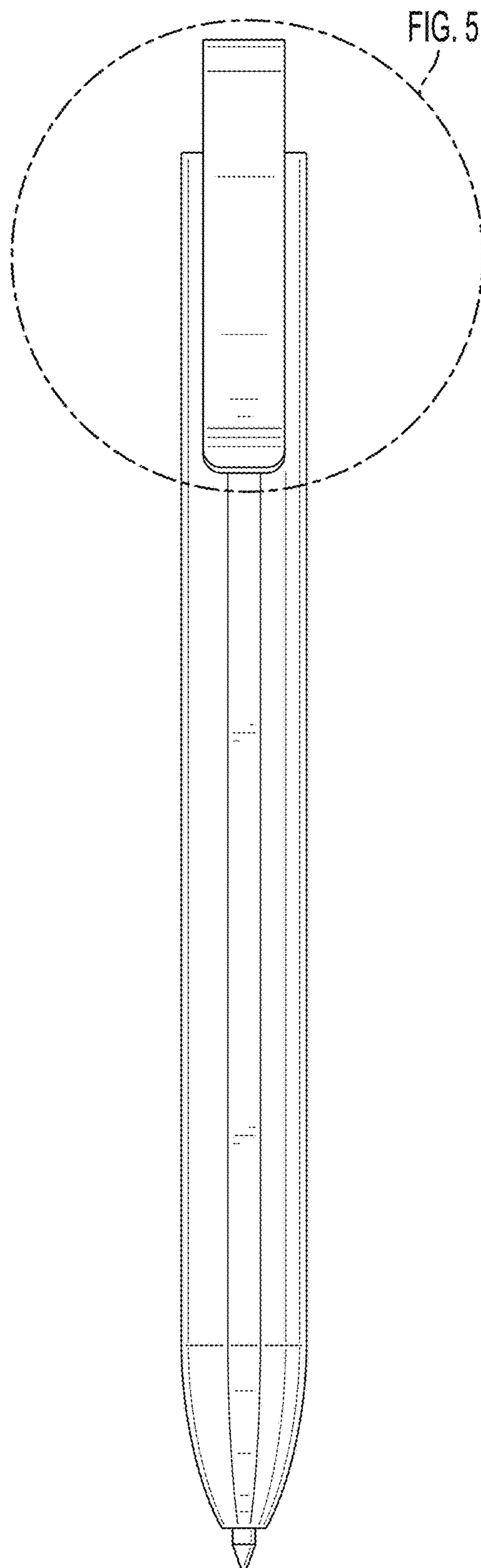


FIG. 4

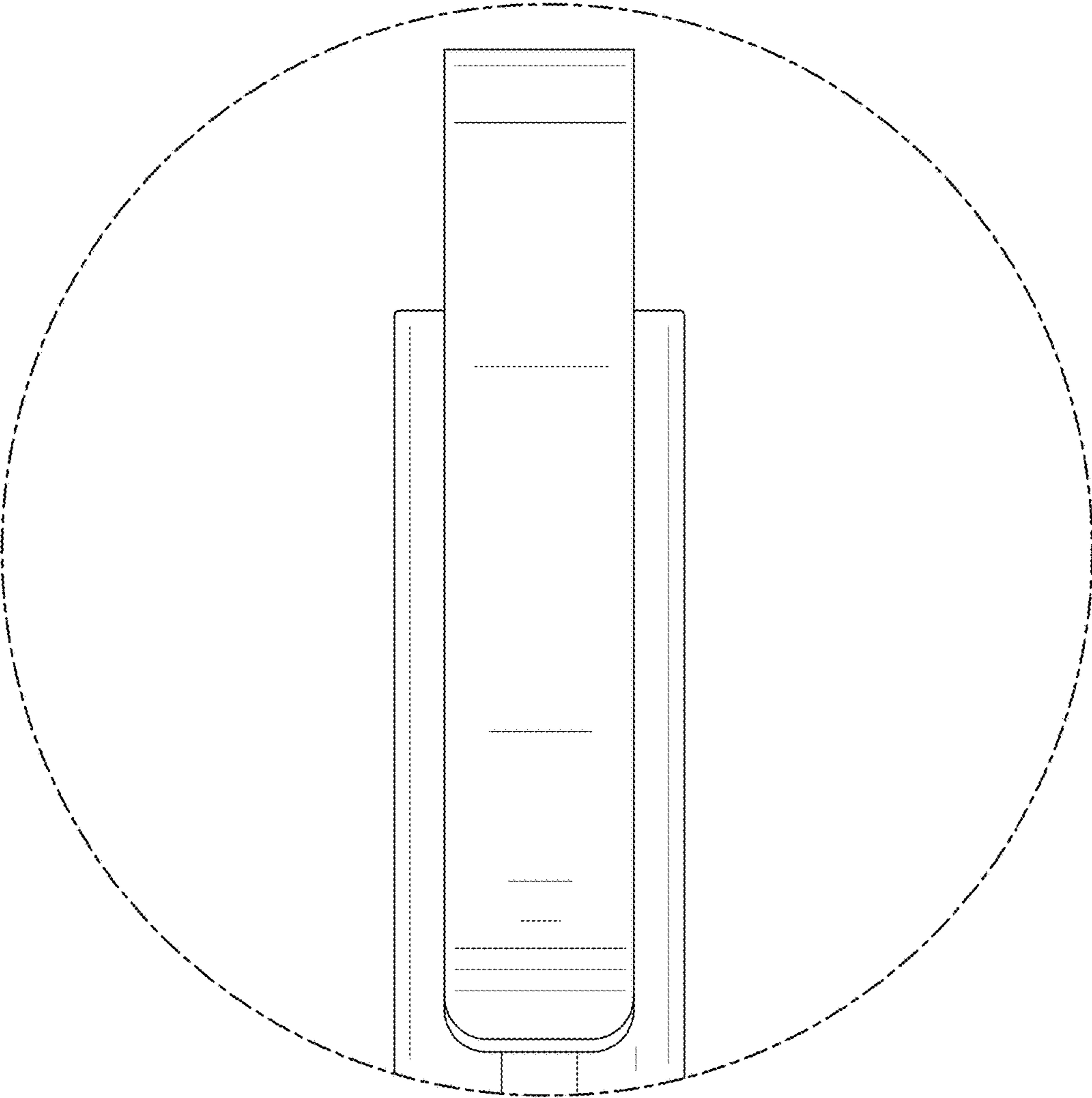


FIG. 5

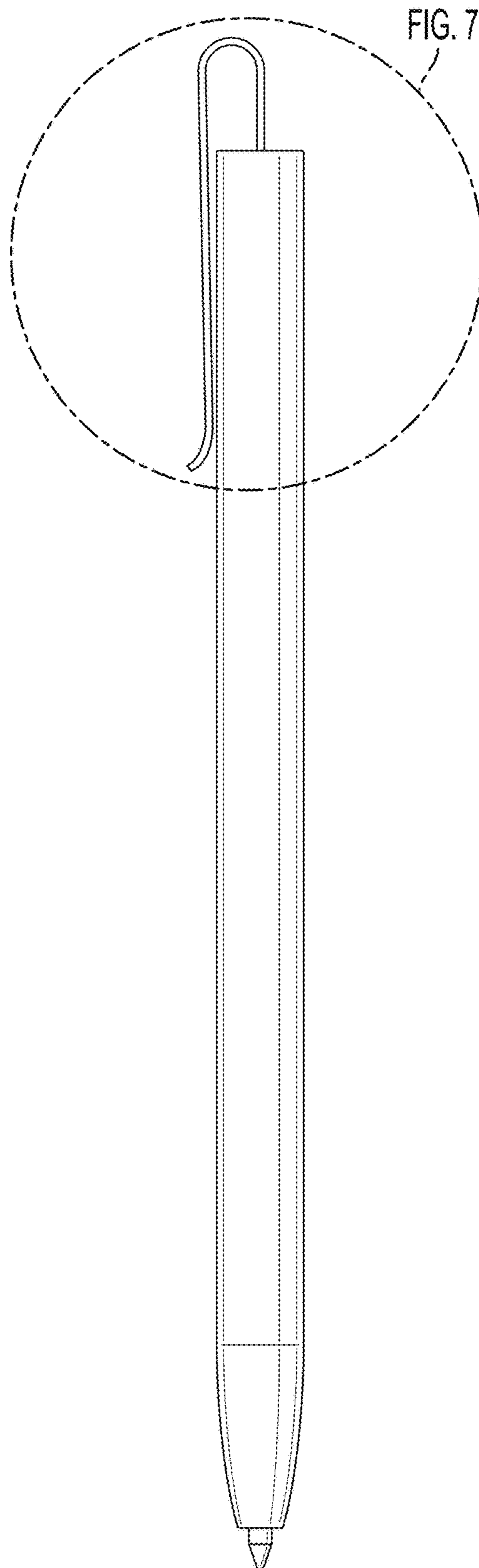


FIG. 6

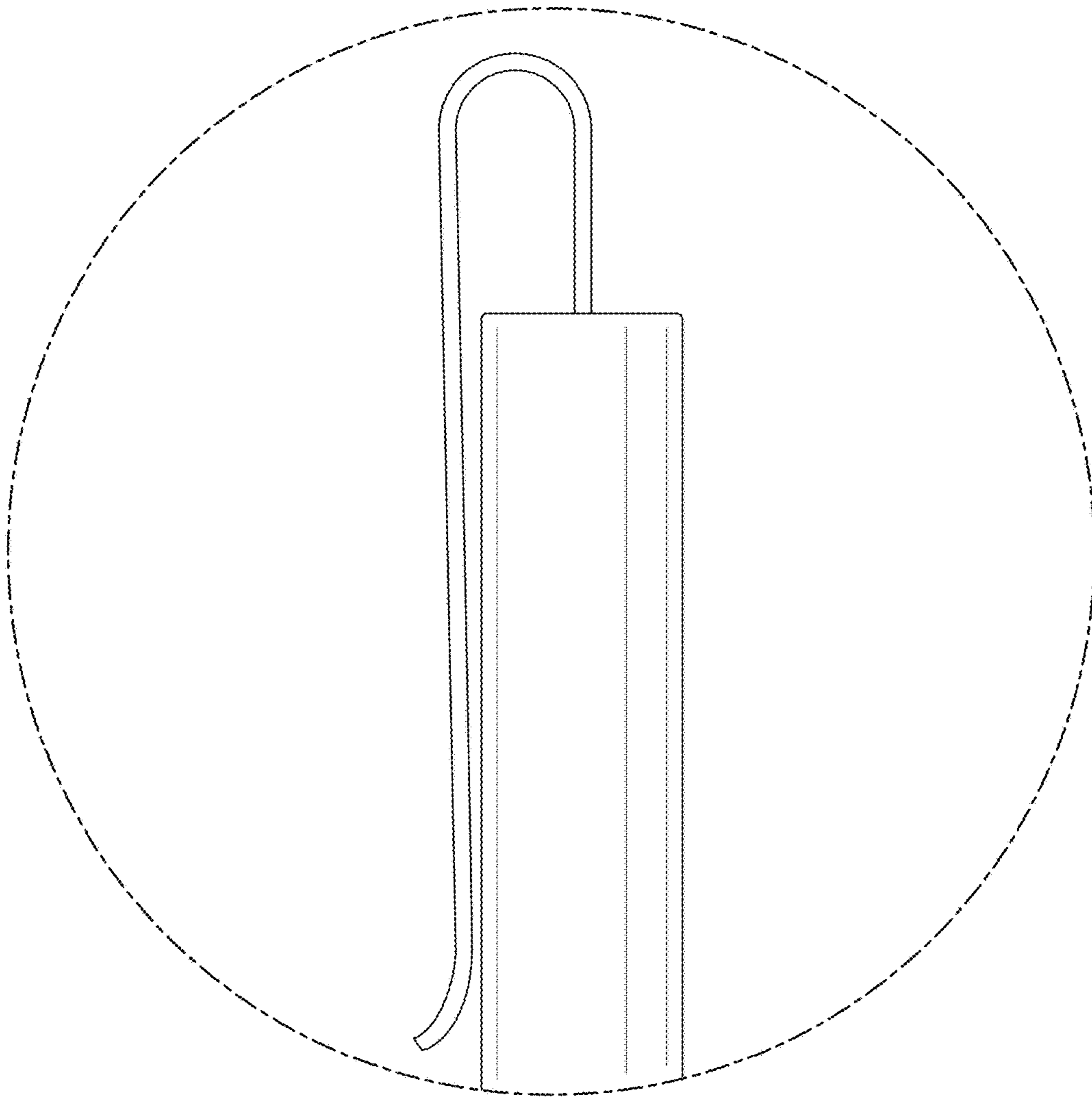


FIG. 7

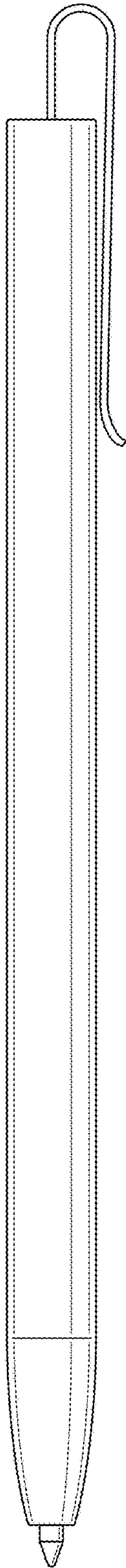


FIG. 8

FIG. 10

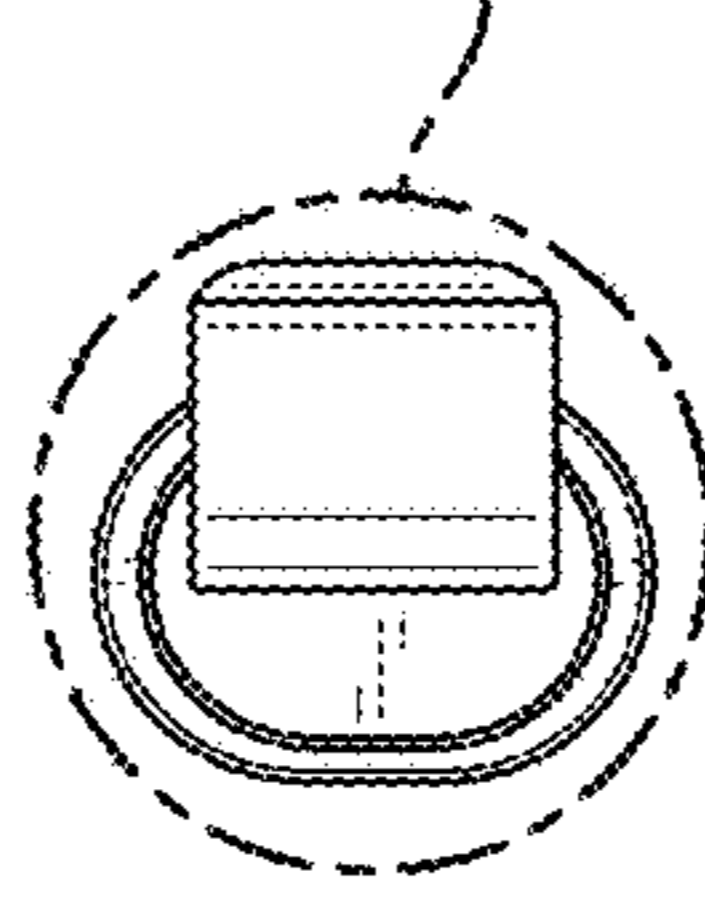


FIG. 9

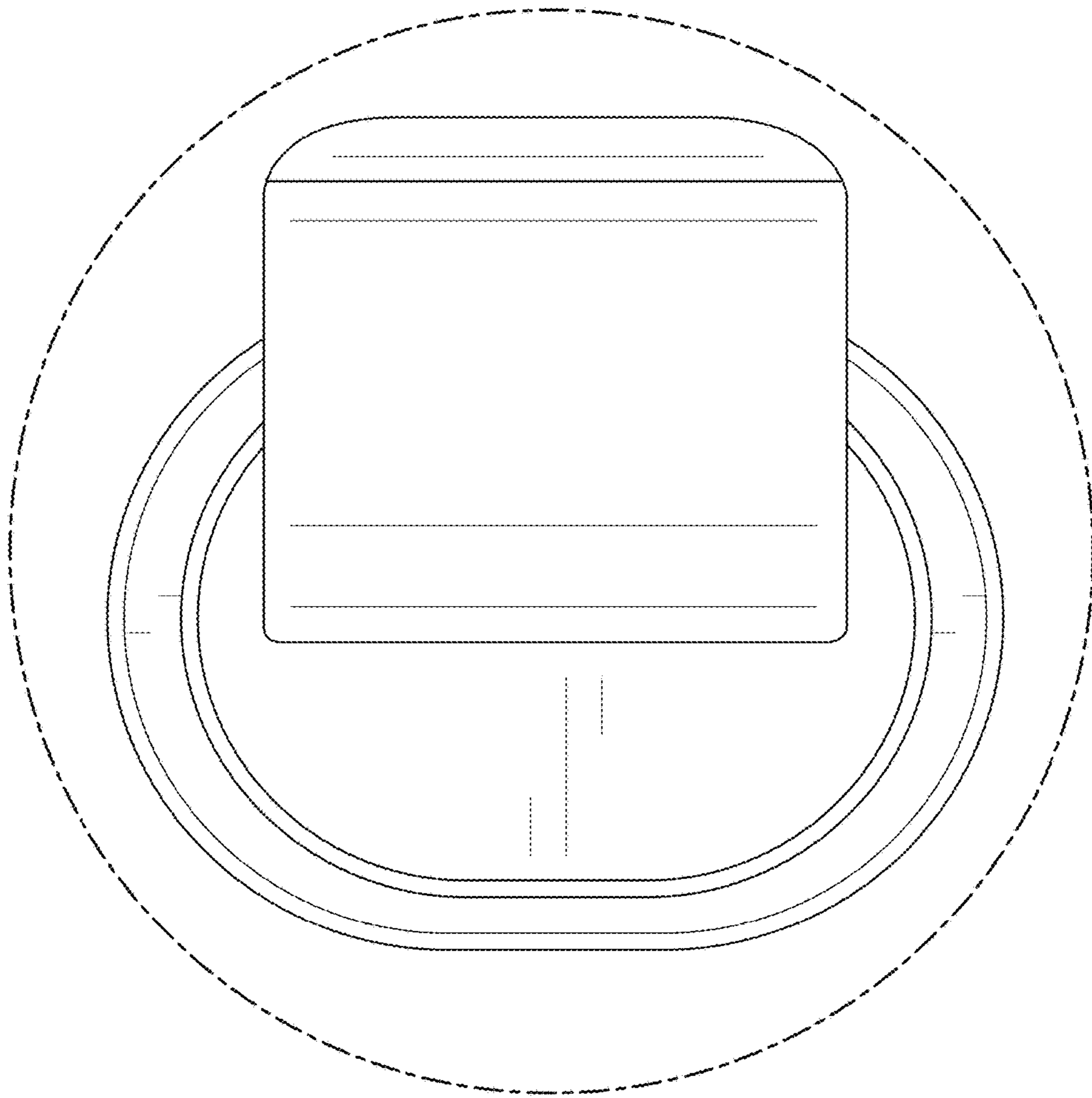


FIG. 10

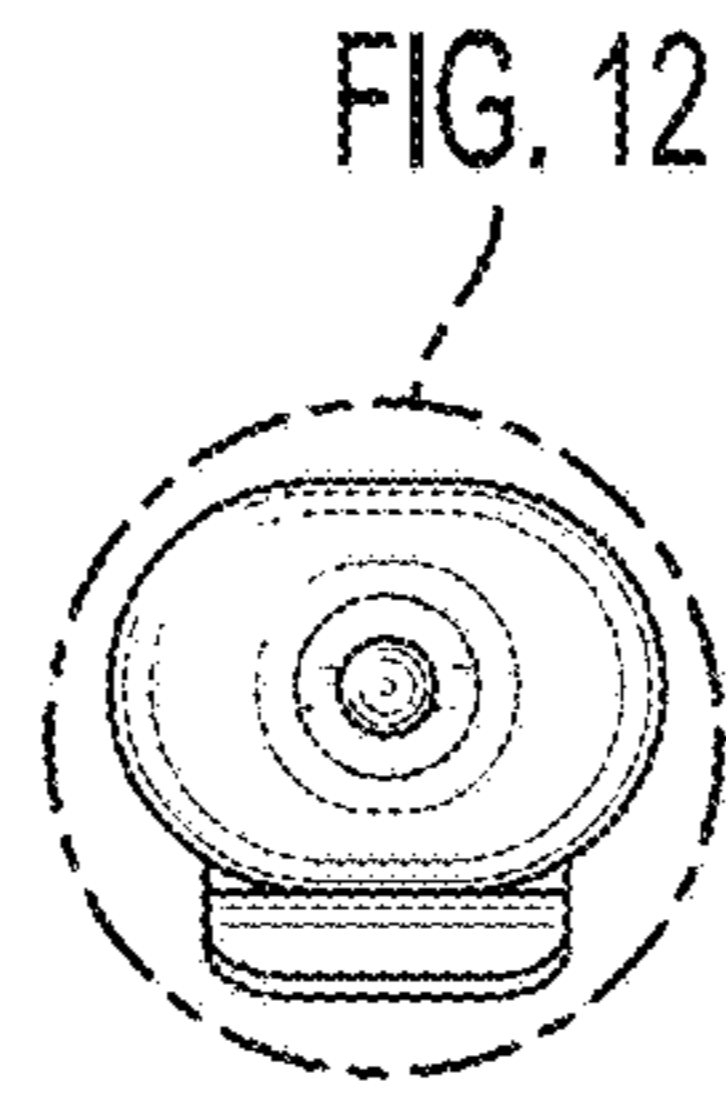


FIG. 11

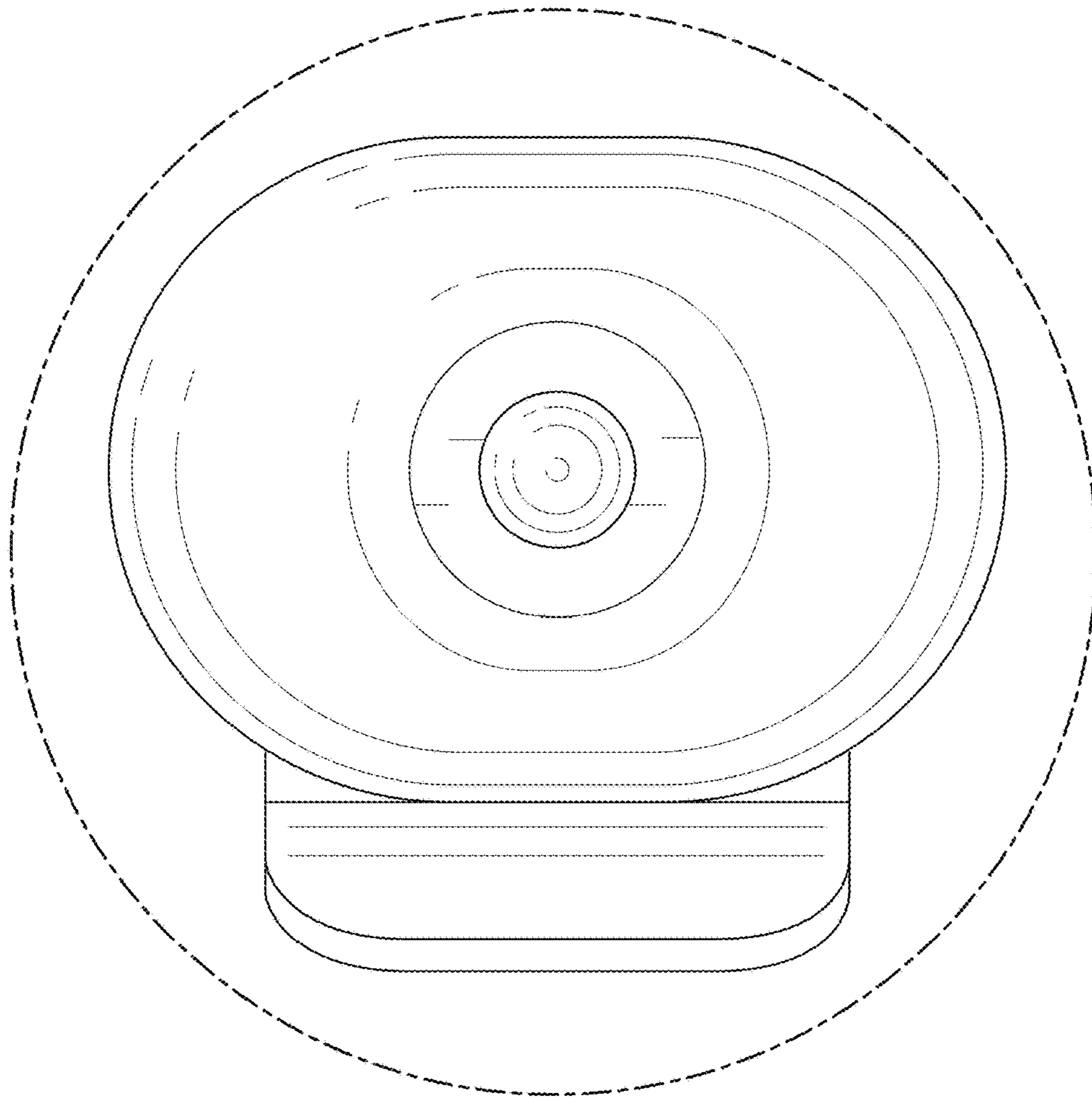


FIG. 12

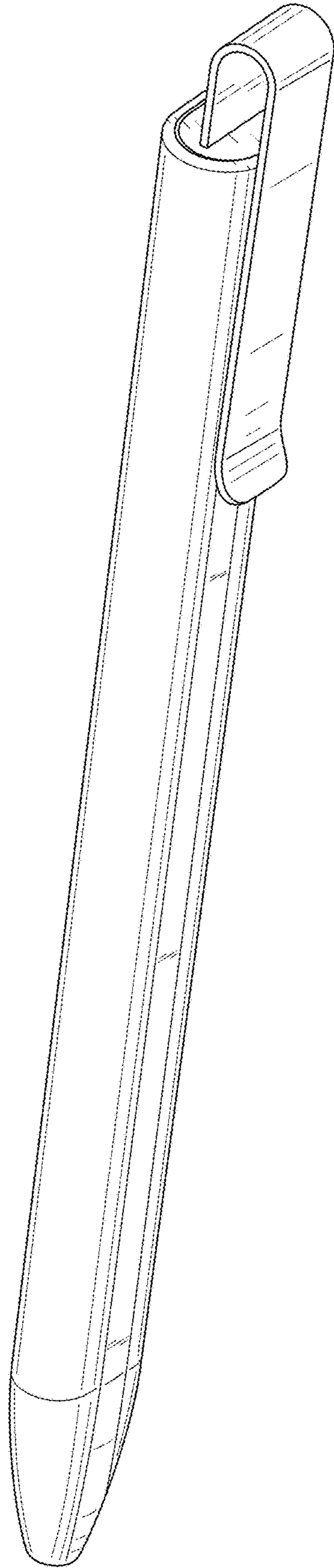


FIG. 13

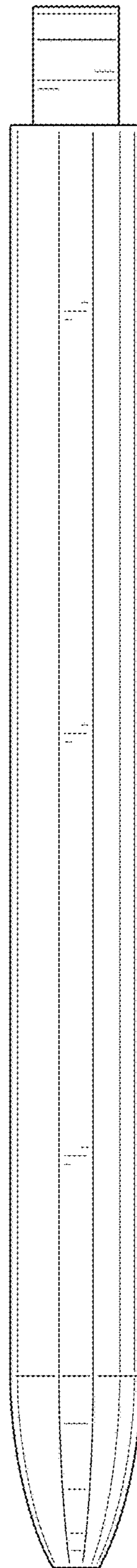


FIG. 14

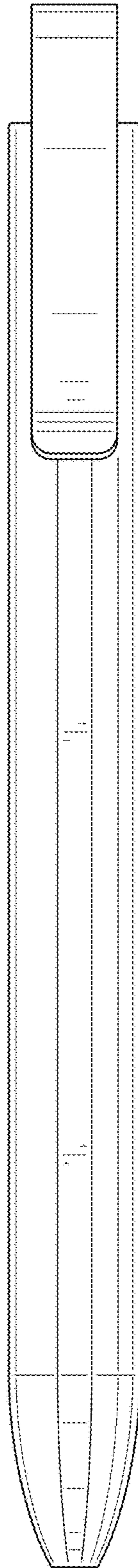


FIG. 15

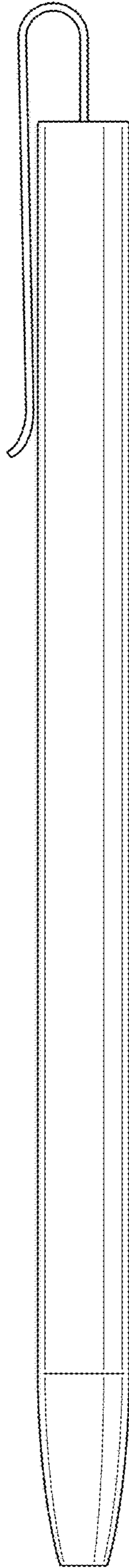


FIG. 16

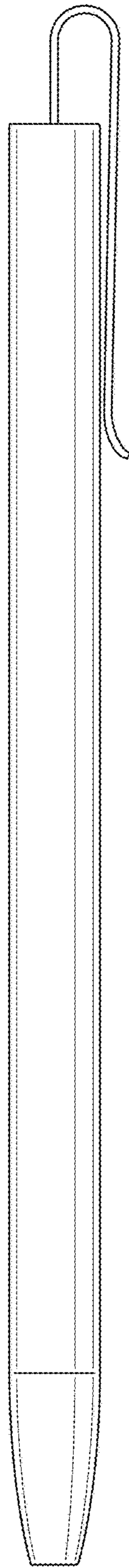


FIG. 17

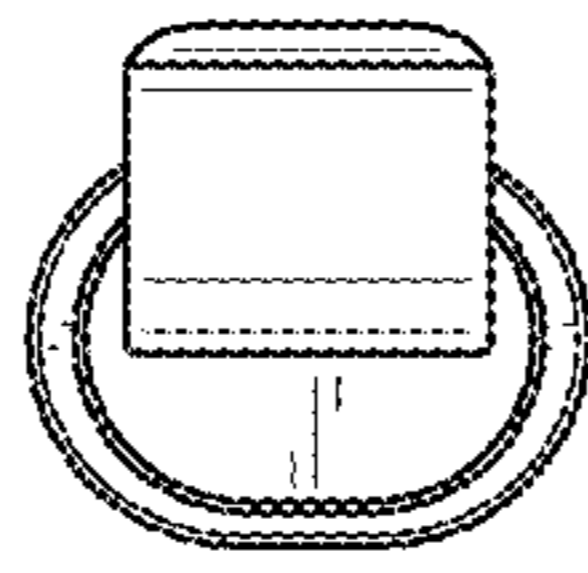


FIG. 18

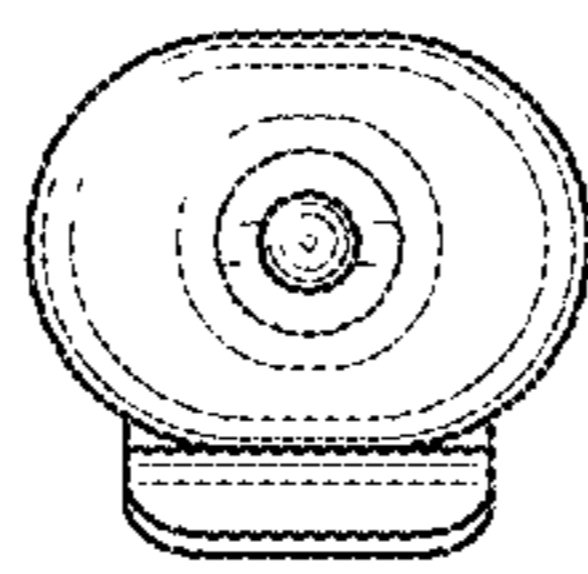


FIG. 19