



US00D783091S

(12) **United States Design Patent**  
**Okazaki**

(10) **Patent No.:** **US D783,091 S**

(45) **Date of Patent:** **\*\* Apr. 4, 2017**

(54) **INK CARTRIDGE**

(71) Applicant: **BROTHER INDUSTRIES, LTD.**,  
Nagoya-shi, Aichi-ken (JP)

(72) Inventor: **Naoya Okazaki**, Hashima-gun (JP)

(73) Assignee: **BROTHER INDUSTRIES, LTD.**,  
Nagoya (JP)

D540,857 S 4/2007 Hattori  
D541,334 S 4/2007 Hattori et al.  
D541,337 S 4/2007 Hattori  
D541,851 S 5/2007 Hattori et al.  
D541,852 S 5/2007 Hattori et al.  
D542,341 S 5/2007 Hattori et al.  
D542,342 S 5/2007 Hattori et al.  
D542,343 S 5/2007 Hattori et al.  
D542,839 S 5/2007 Hattori et al.  
D543,234 S 5/2007 Hattori et al.

(Continued)

(\*\*) Term: **15 Years**

**FOREIGN PATENT DOCUMENTS**

(21) Appl. No.: **29/556,676**

JP 1447624 S 10/2013  
JP 1456004 S 10/2013  
JP 1463223 S 10/2013

(22) Filed: **Mar. 2, 2016**

(30) **Foreign Application Priority Data**

Sep. 2, 2015 (JP) ..... 2015-19439

(51) **LOC (10) Cl.** ..... **18-02**

(52) **U.S. Cl.**  
USPC ..... **D18/56**

(58) **Field of Classification Search**  
USPC ..... D18/12, 18, 40, 43, 44, 56, 99; D14/484  
CPC . B41J 15/044; B41J 32/00; B41J 17/32; B41J  
33/52; B41J 33/56; B41J 35/36; G11B  
23/08757

See application file for complete search history.

(56) **References Cited**

**U.S. PATENT DOCUMENTS**

D423,564 S 4/2000 Canfield et al.  
D465,516 S 11/2002 Shinada et al.  
D466,151 S 11/2002 Shinada et al.  
D501,504 S \* 2/2005 Yamada ..... 347/86  
D509,531 S \* 9/2005 Geserich ..... D18/12  
D530,365 S \* 10/2006 Wakayama ..... 347/86  
D538,335 S \* 3/2007 Chang ..... D18/56  
D538,337 S 3/2007 Hattori et al.

*Primary Examiner* — Manpreet Matharu  
*Assistant Examiner* — Suzanne Tisdell  
(74) *Attorney, Agent, or Firm* — Oliff PLC

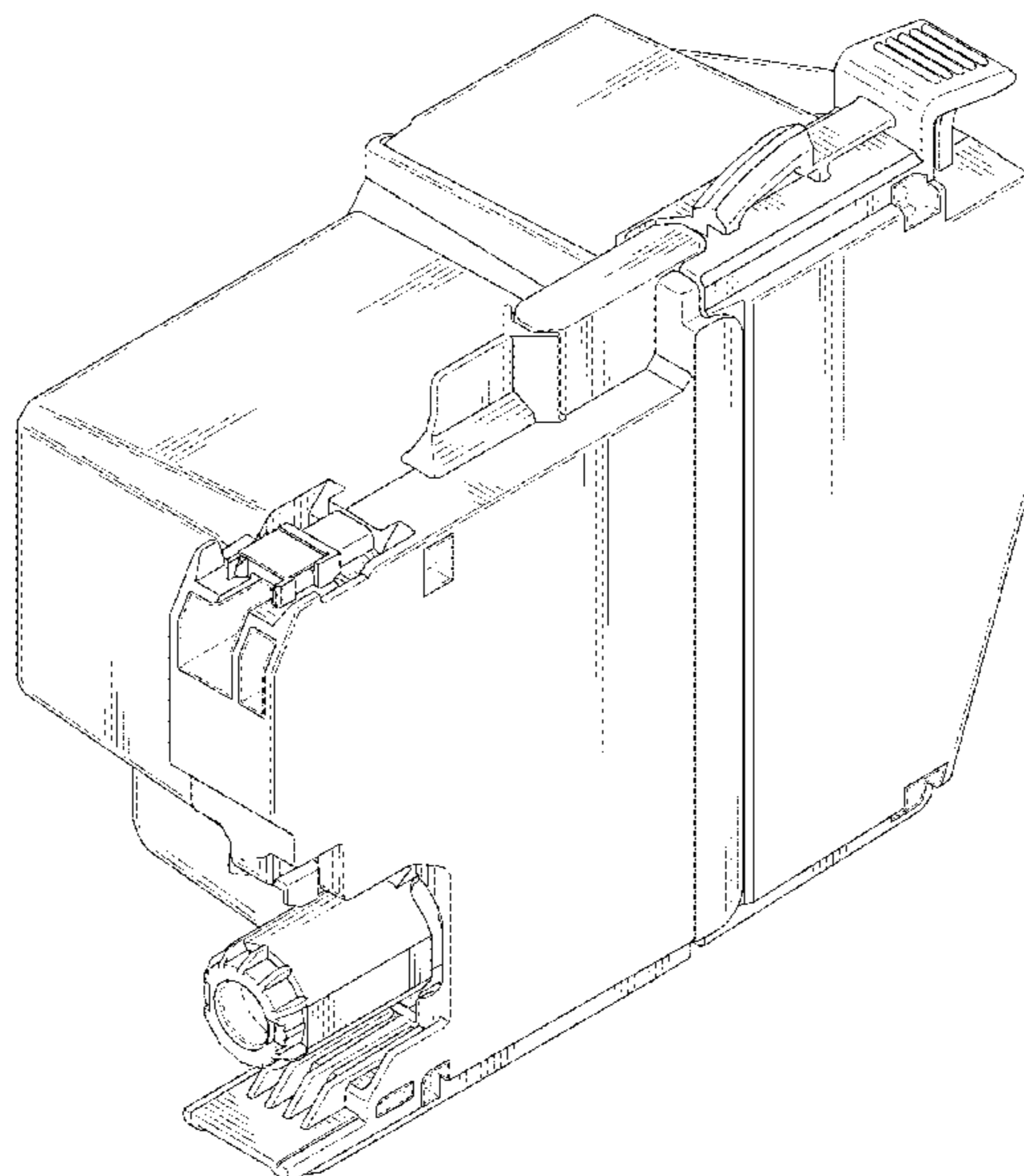
(57) **CLAIM**

The ornamental design for an ink cartridge, as shown and described.

**DESCRIPTION**

FIG. 1 is a front, top, left-side perspective view of an ink cartridge;  
FIG. 2 is a front view thereof;  
FIG. 3 is a top view thereof;  
FIG. 4 is a right-side view thereof;  
FIG. 5 is a left-side view thereof;  
FIG. 6 is a rear view thereof;  
FIG. 7 is a bottom view thereof;  
FIG. 8 is a rear, top, right-side perspective view thereof; and,  
FIG. 9 is a front, bottom, left-side perspective view thereof.  
The broken lines depict environmental subject matter only and form no part of the claimed design.

**1 Claim, 8 Drawing Sheets**



(56)

References Cited

U.S. PATENT DOCUMENTS

D543,235 S 5/2007 Hattori et al.  
 D543,236 S 5/2007 Hattori  
 D547,370 S 7/2007 Hattori et al.  
 D547,797 S 7/2007 Hattori et al.  
 D549,280 S \* 8/2007 Morino ..... 347/86  
 D557,335 S 12/2007 Morino  
 D570,408 S 6/2008 Morino  
 D570,905 S \* 6/2008 Yuen ..... 347/86  
 D597,595 S \* 8/2009 Nip ..... D18/56  
 D599,399 S 9/2009 Hattori  
 D602,076 S \* 10/2009 Saikawa ..... D18/56  
 D603,895 S \* 11/2009 Hattori ..... D18/56  
 D627,818 S \* 11/2010 Ishizawa ..... 347/86  
 D641,400 S 7/2011 Hattori  
 D647,134 S 10/2011 Hattori  
 D648,779 S \* 11/2011 Saito ..... D18/43  
 D654,112 S 2/2012 Kanbe et al.  
 D656,985 S 4/2012 Kanbe et al.  
 D656,986 S 4/2012 Kanbe et al.  
 D656,987 S 4/2012 Kanbe et al.

D659,188 S 5/2012 Kanbe et al.  
 D677,721 S \* 3/2013 Kawate ..... D18/56  
 D680,165 S 4/2013 Takagi et al.  
 D681,728 S \* 5/2013 Takagi ..... 347/86  
 D682,929 S \* 5/2013 Aoki ..... D18/56  
 D692,052 S \* 10/2013 Ishizawa ..... D18/56  
 D721,132 S 1/2015 Kobayashi  
 D741,403 S \* 10/2015 O'Reilly ..... D18/56  
 D759,154 S \* 6/2016 Williamson ..... D18/43  
 D761,353 S \* 7/2016 Oya ..... D18/56  
 D762,260 S \* 7/2016 Oya ..... D18/56  
 D762,261 S \* 7/2016 Takagiwa ..... D18/56  
 D767,672 S \* 9/2016 Nanjo ..... D18/56  
 D767,673 S \* 9/2016 Nanjo ..... D18/56  
 D767,674 S \* 9/2016 Nanjo ..... D18/56  
 2007/0212151 A1 \* 9/2007 Innocenti ..... B41J 3/4075  
 400/244  
 2008/0151425 A1 \* 6/2008 Vanderheyden . G11B 23/08728  
 360/132  
 2008/0213023 A1 \* 9/2008 Koizumi ..... B41M 5/38221  
 400/208

\* cited by examiner

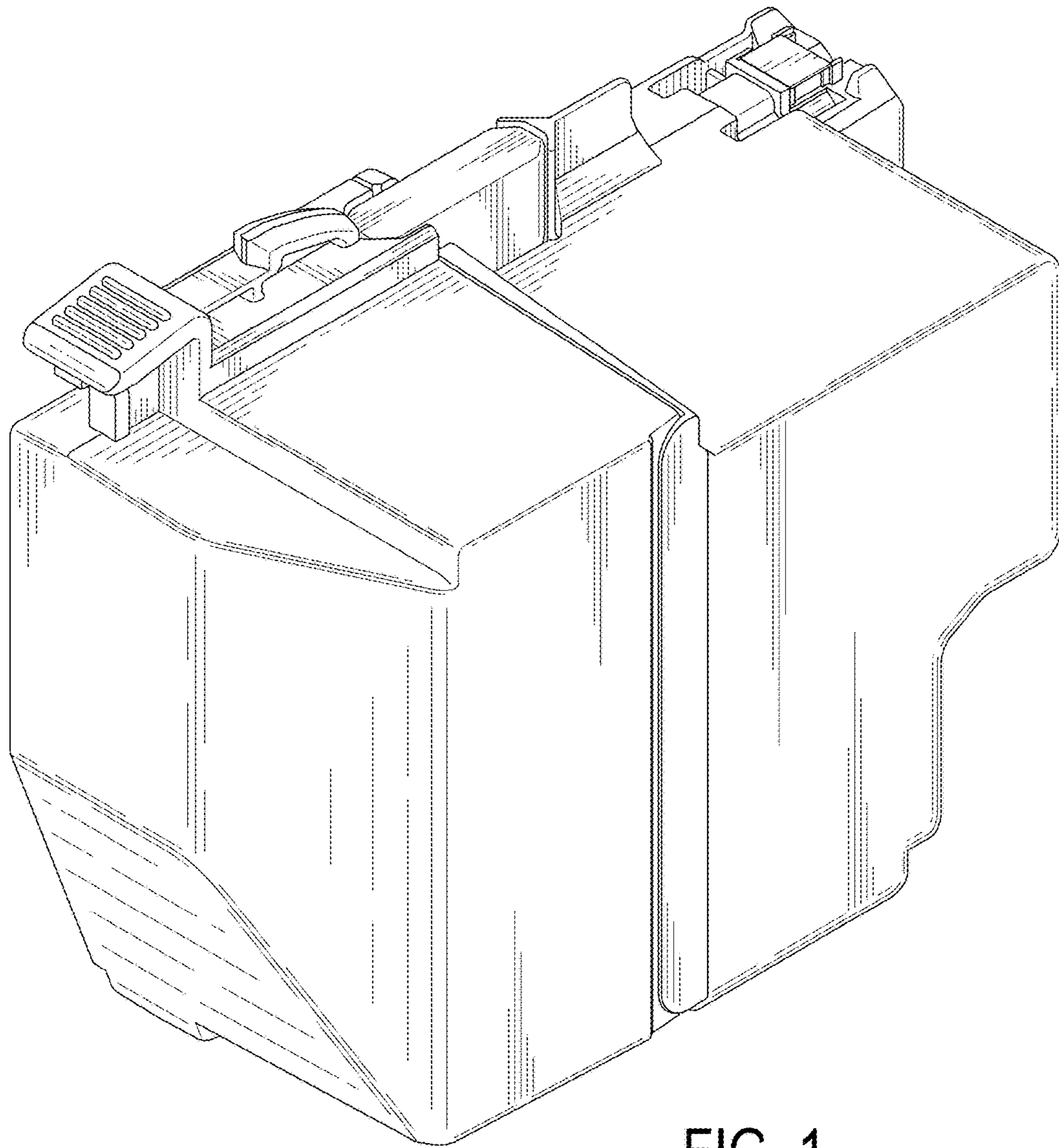


FIG. 1

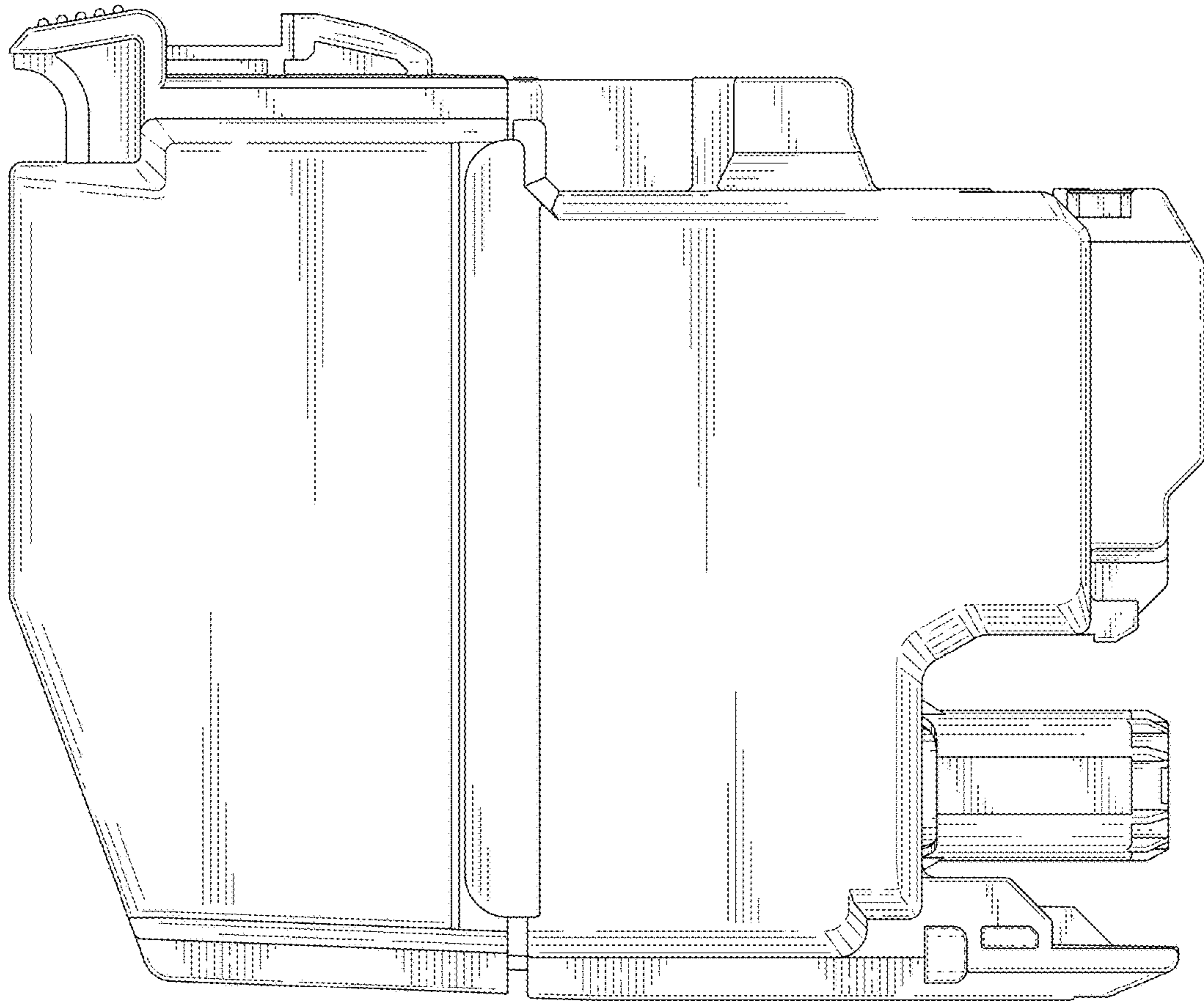


FIG. 2

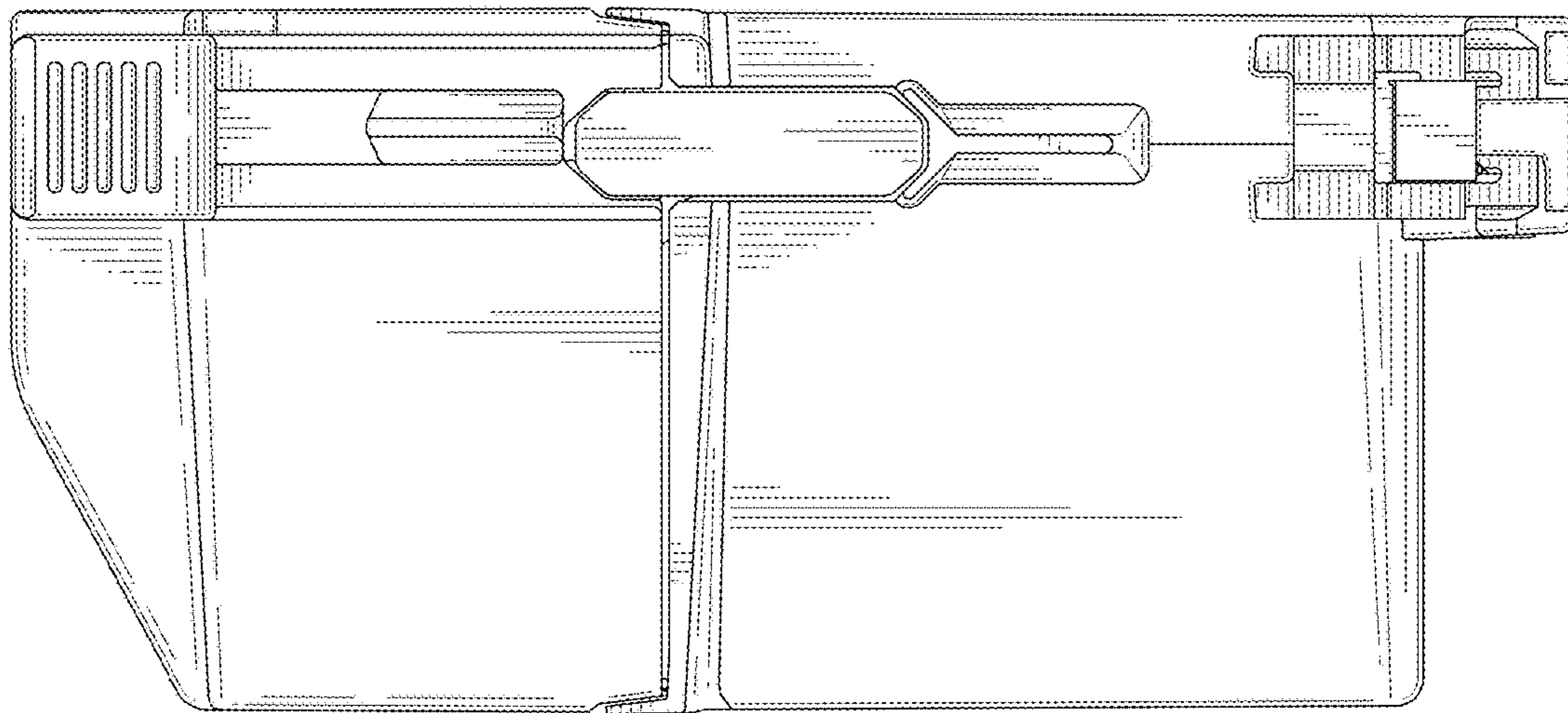


FIG. 3

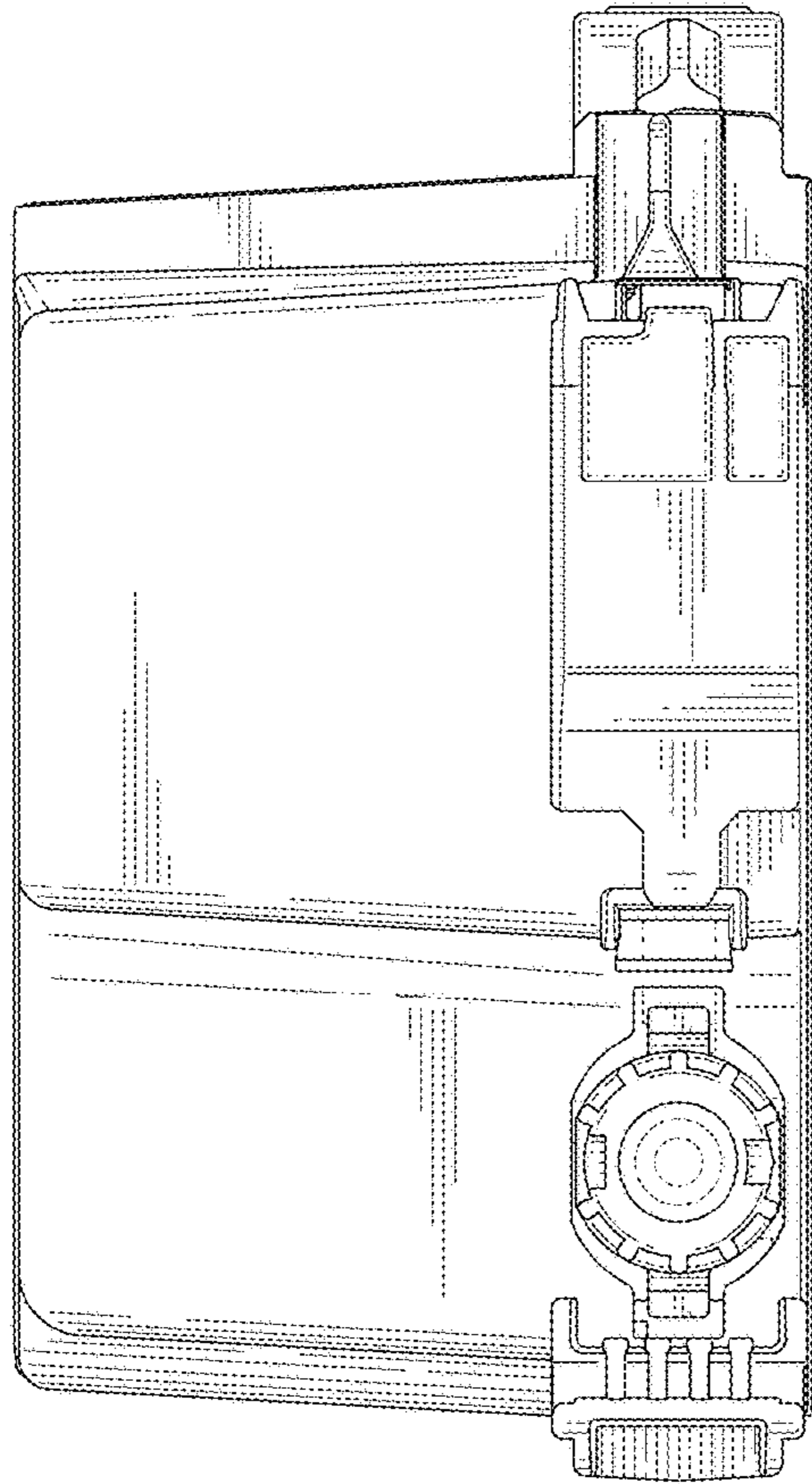


FIG. 4

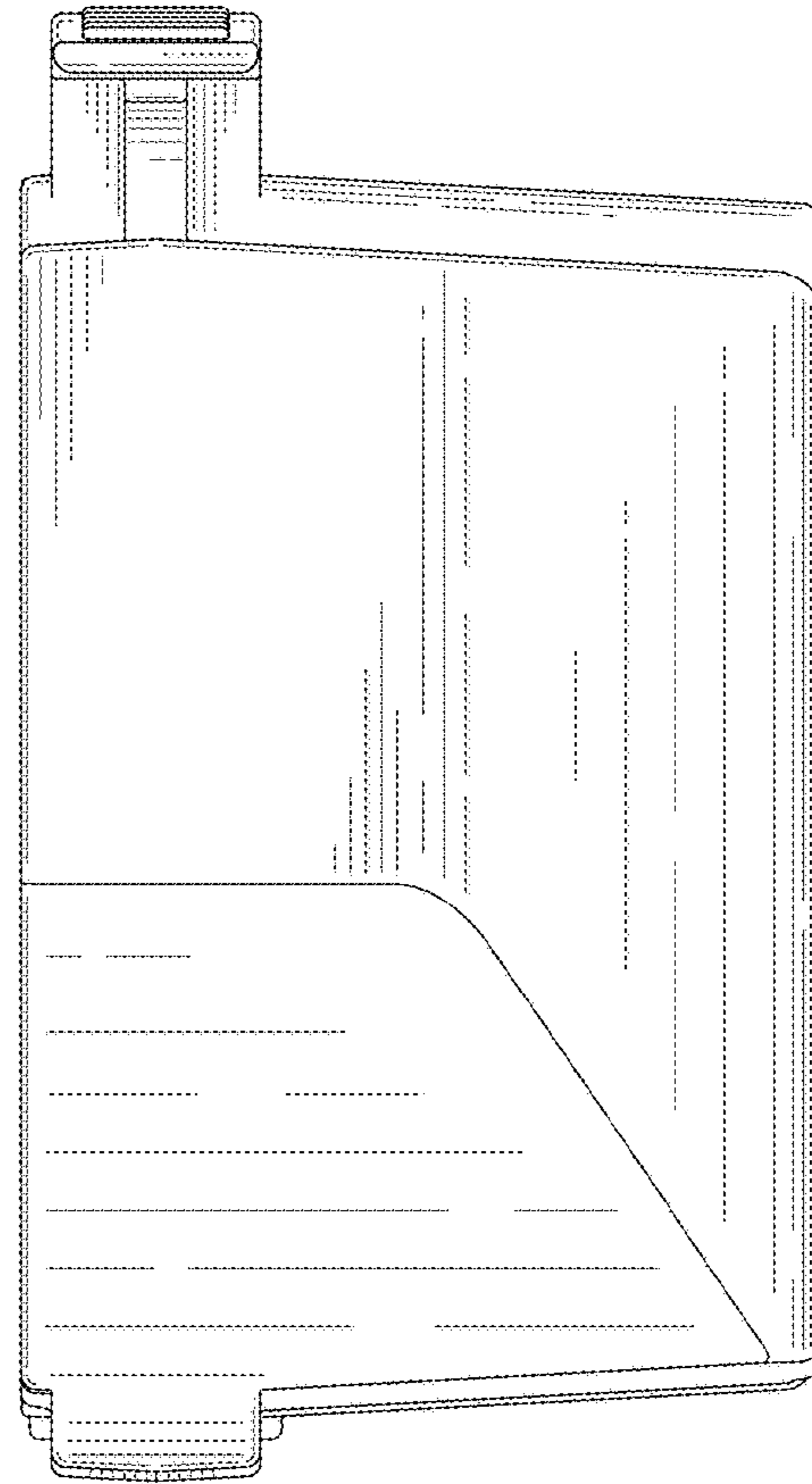


FIG. 5

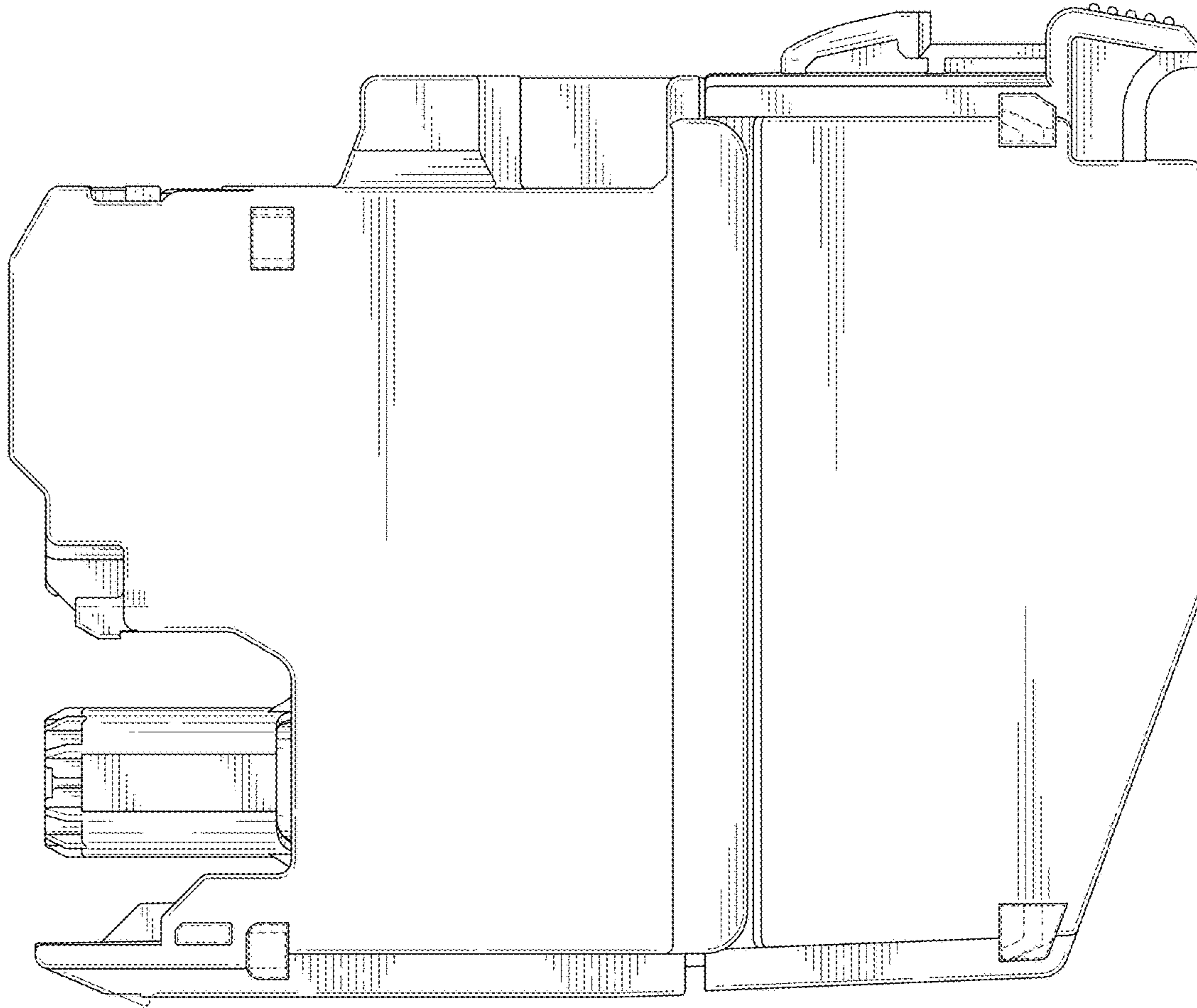


FIG. 6

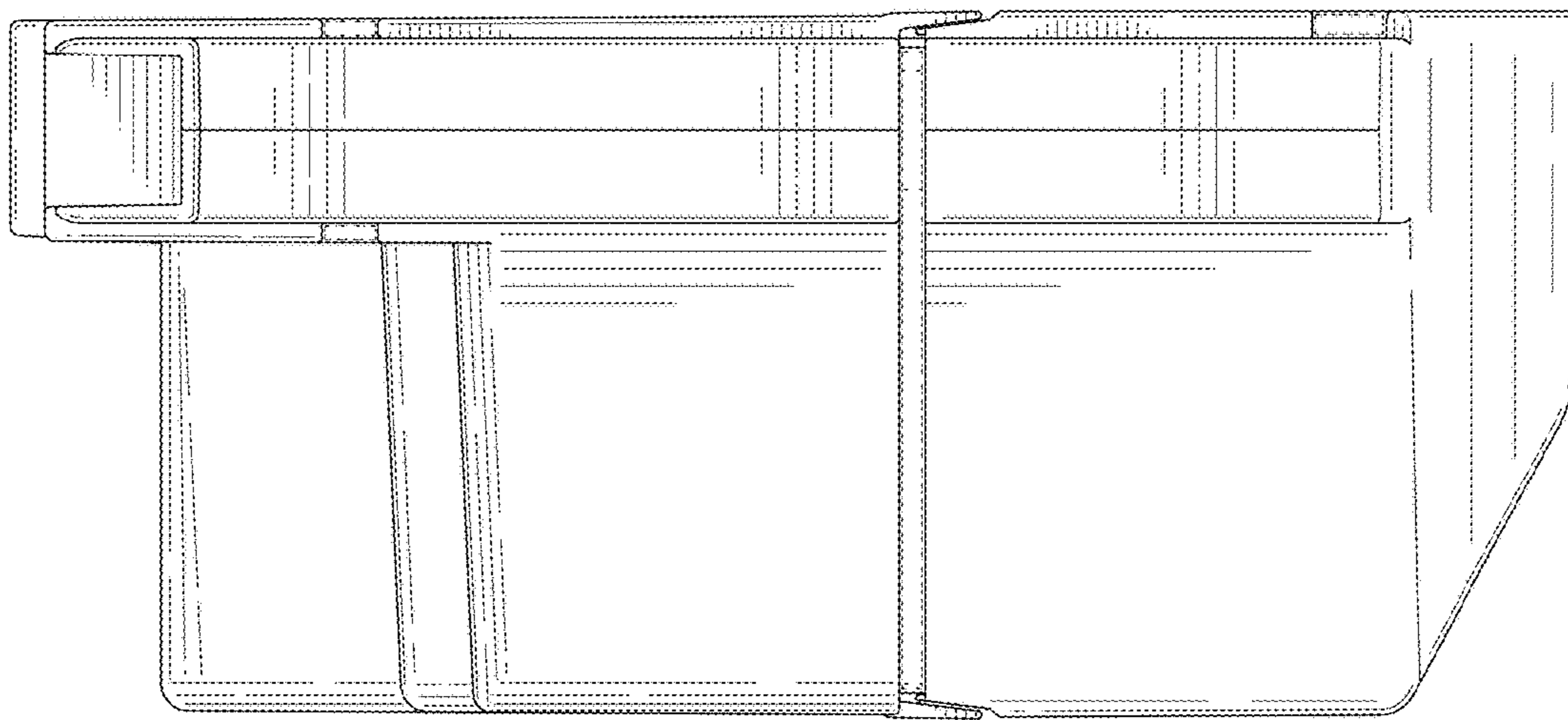


FIG. 7



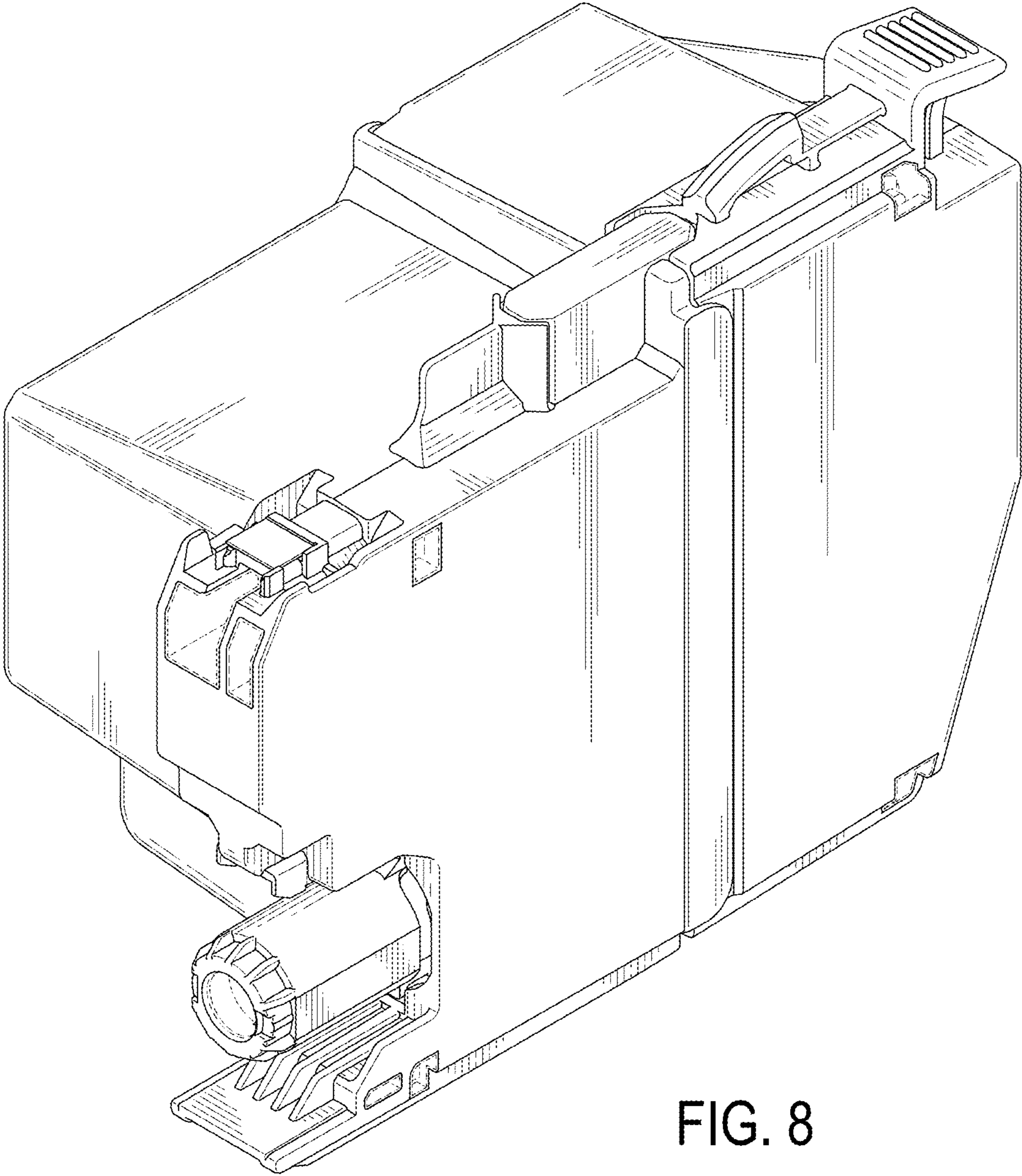


FIG. 8

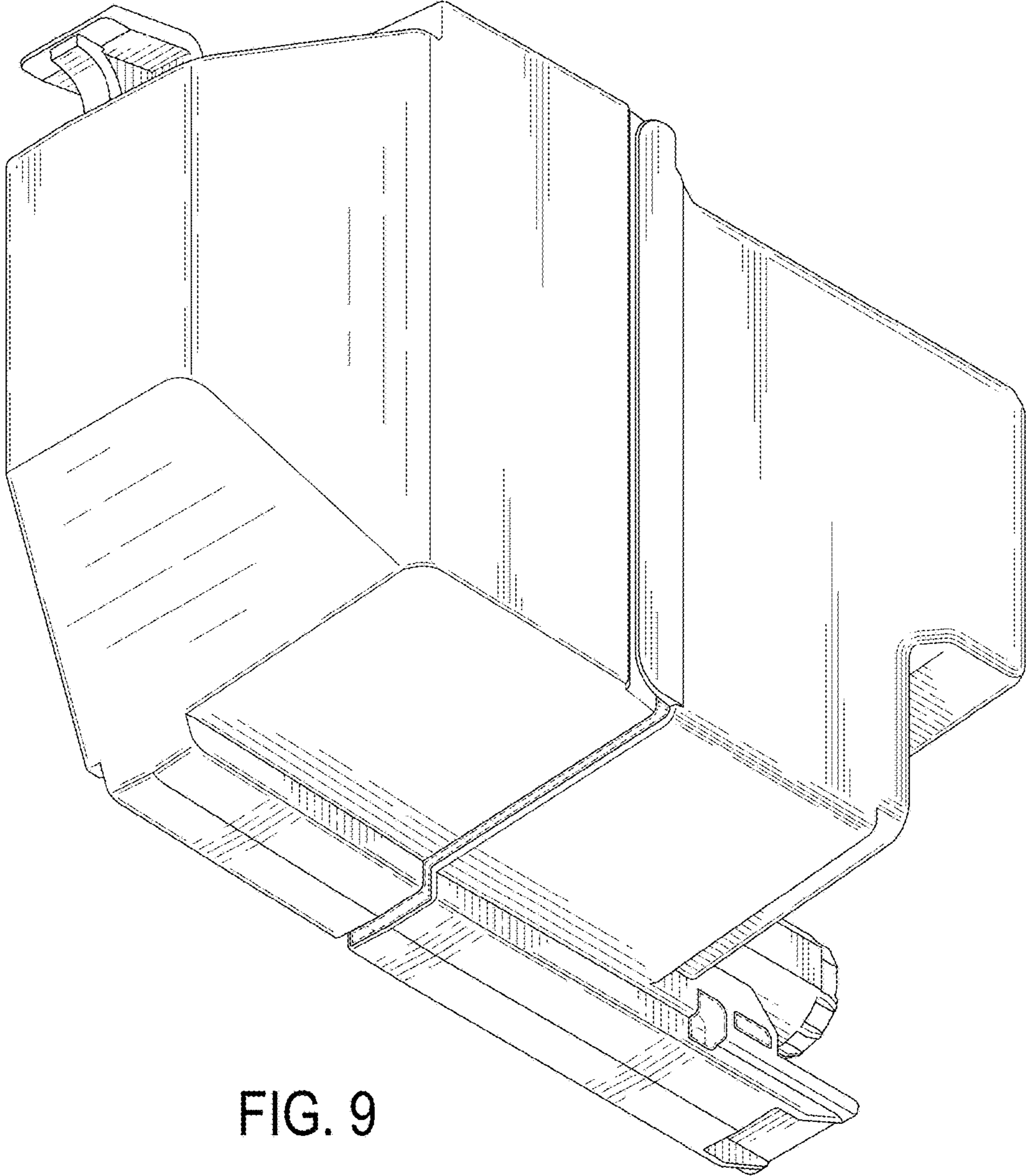


FIG. 9