



US00D783087S

(12) **United States Design Patent**  
**Fukamachi et al.**

(10) **Patent No.:** **US D783,087 S**

(45) **Date of Patent:** **\*\* Apr. 4, 2017**

(54) **PHOTOSENSITIVE DRUM UNIT**

(71) Applicant: **BROTHER INDUSTRIES, LTD.**,  
Nagoya-shi, Aichi-ken (JP)

(72) Inventors: **Yasuo Fukamachi**, Nagoya (JP);  
**Motoaki Mushika**, Hashima (JP); **Koji Abe**,  
Nagoya (JP); **Takuya Kanda**, Nagoya (JP);  
**Kazuna Taguchi**, Nagoya (JP)

(73) Assignee: **BROTHER INDUSTRIES, LTD.**,  
Nagoya (JP)

(\*\*) Term: **15 Years**

(21) Appl. No.: **29/535,550**

(22) Filed: **Aug. 7, 2015**

(30) **Foreign Application Priority Data**

Feb. 9, 2015 (JP) ..... 2015-2402

(51) **LOC (10) Cl.** ..... **16-03**

(52) **U.S. Cl.**  
USPC ..... **D18/43; D24/36; D24/40**

(58) **Field of Classification Search**  
USPC ..... D18/36, 43, 39, 46, 47, 34.3, 50  
CPC ..... G03G 15/0836; G03G 15/0837; G03G  
15/0867; G03G 15/0832; G03G 15/0834;  
G03G 15/0877; G03G 15/0868; G03G  
15/50; G03G 15/0872; G03G 15/0898;  
G03G 15/5016; G03G 15/60; G03G  
15/65

See application file for complete search history.

(56) **References Cited**

**U.S. PATENT DOCUMENTS**

D356,331 S \* 3/1995 Ishibashi ..... D18/43  
D394,450 S \* 5/1998 Katoh ..... D18/40

D471,583 S 3/2003 Okabe et al.  
D487,108 S 2/2004 Morita et al.  
D507,295 S 7/2005 Ishii et al.  
D509,239 S 9/2005 Ishii et al.  
D521,545 S 5/2006 Ishii et al.  
D522,564 S \* 6/2006 Ishii ..... D18/43  
D523,894 S 6/2006 Ishii et al.  
D523,895 S \* 6/2006 Ishii ..... D18/43  
D523,896 S \* 6/2006 Ishii ..... D18/43  
D529,541 S \* 10/2006 Kawai ..... D18/43  
D550,763 S \* 9/2007 Ishikawa ..... D18/43  
D551,285 S \* 9/2007 Ishikawa ..... D18/43

(Continued)

**OTHER PUBLICATIONS**

Brother DR-400, announced Sep. 30, 2015 [online], [site visited Sep. 22, 2016]. Available from internet, URL: <<http://resources.lasertekservices.com/brother-dr-400-the-role-of-a-drum-unit-on-laser-printer/>>.\*

(Continued)

*Primary Examiner* — Keli L Hill

*Assistant Examiner* — Karra S Johnson

(74) *Attorney, Agent, or Firm* — Oliff PLC

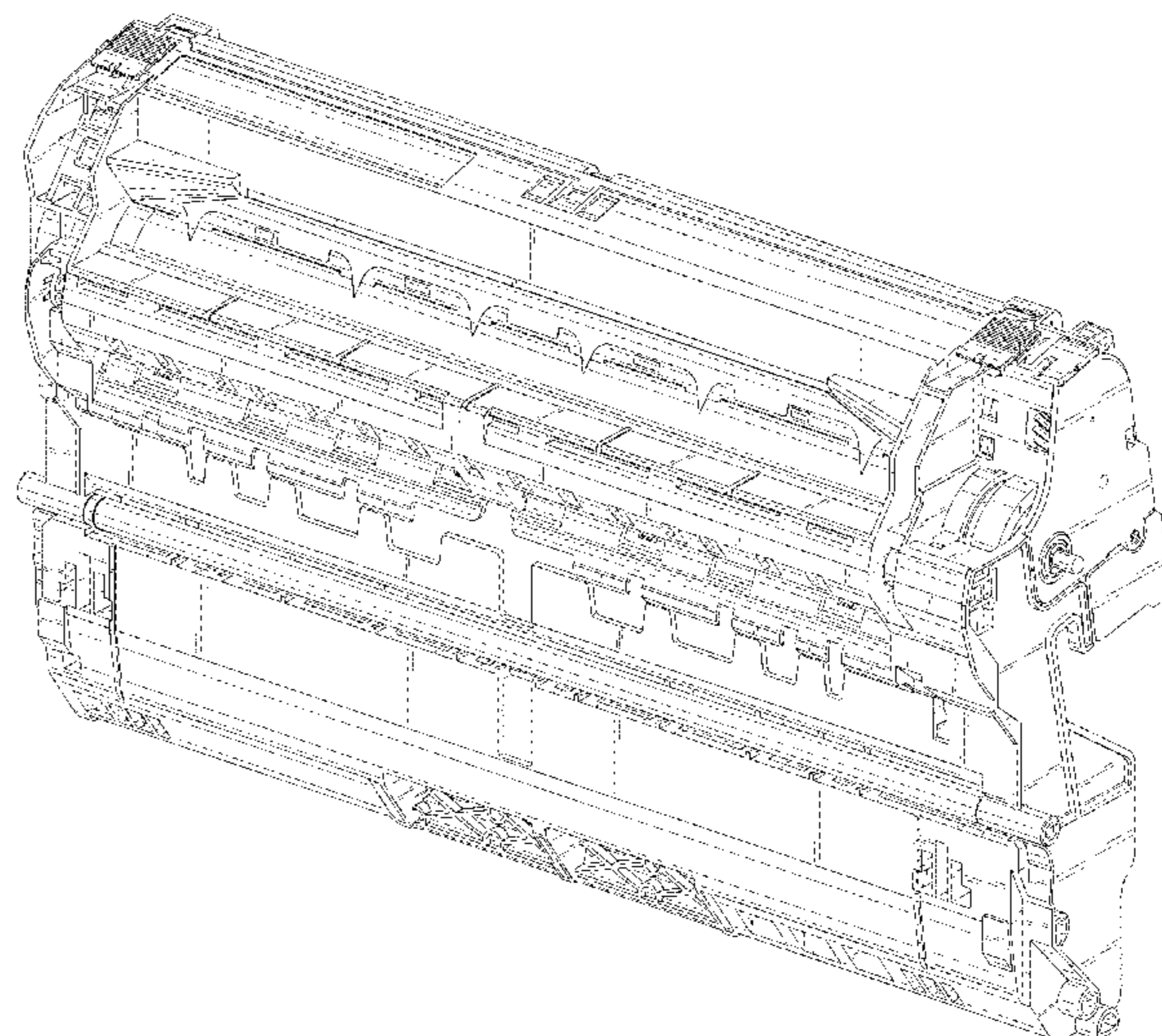
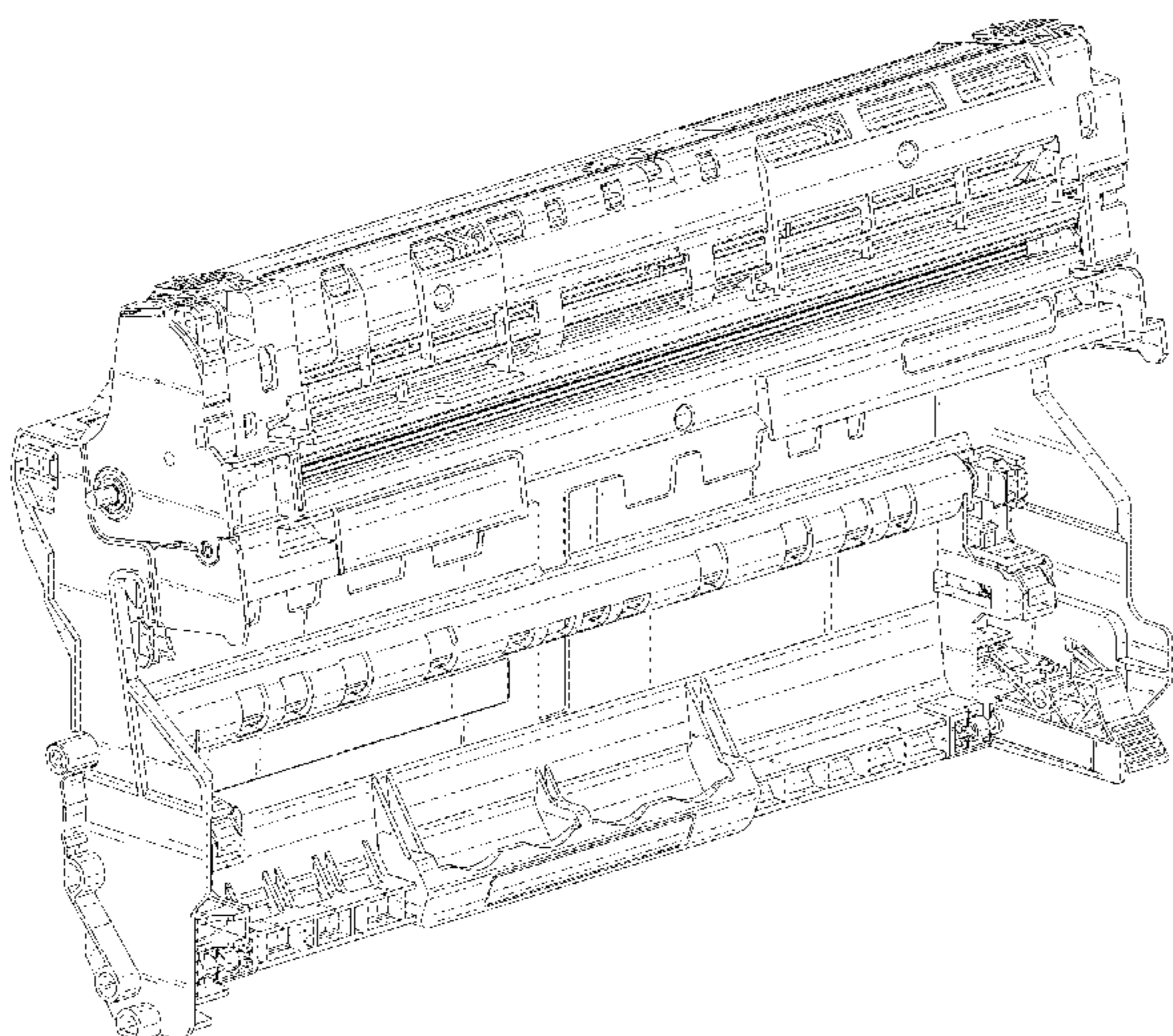
(57) **CLAIM**

The ornamental design for a photosensitive drum unit, as shown and described.

**DESCRIPTION**

FIG. 1 is a front, left-side perspective view of a photosensitive drum unit;  
FIG. 2 is a rear, left-side perspective view thereof;  
FIG. 3 is a front view thereof;  
FIG. 4 is a top view thereof;  
FIG. 5 is a right-side view thereof;  
FIG. 6 is a left-side view thereof;  
FIG. 7 is a rear view thereof; and,  
FIG. 8 is a bottom view thereof.

**1 Claim, 7 Drawing Sheets**



(56)

References Cited

U.S. PATENT DOCUMENTS

7,303,245 B2 \* 12/2007 Kunihiro ..... B41J 2/04503  
 347/19  
 D585,482 S \* 1/2009 Kubota ..... D18/43  
 D594,899 S \* 6/2009 Ogasawara et al.  
 D594,900 S \* 6/2009 Ogasawara et al.  
 D601,184 S \* 9/2009 Ogasawara et al.  
 D619,644 S \* 7/2010 Houman ..... D18/43  
 D637,225 S \* 5/2011 Kishi ..... D18/43  
 D637,226 S \* 5/2011 Sakuma ..... D18/43  
 D638,053 S \* 5/2011 Sato ..... D18/43  
 D652,862 S \* 1/2012 Mori ..... D18/43  
 D674,007 S \* 1/2013 Ushikubo ..... D18/43  
 D694,814 S \* 12/2013 Fukamachi ..... D18/40  
 D718,378 S \* 11/2014 Itabashi ..... D18/43  
 D718,379 S \* 11/2014 Sakuma ..... D18/43  
 D724,139 S \* 3/2015 Shimizu ..... D18/43  
 9,383,720 B1 \* 7/2016 Fukamachi ..... G03G 21/1821  
 D765,164 S \* 8/2016 Park ..... D18/43  
 2014/0294431 A1 \* 10/2014 Yoshizumi ..... G03G 15/0291  
 399/100  
 2015/0277360 A1 \* 10/2015 Abe ..... G03G 21/06  
 399/128

OTHER PUBLICATIONS

What is the Difference Between a Toner Cartridge and a Drum Unit?, announced Jan. 28, 2014 [online], [site visited Sep. 22, 2016]. Available from internet, URL: <<https://www.inksaver.co.za/en/blog/The-difference-between-a-toner-cartridge-and-drum-unit.php>>.\*

Brother Drum Cartridge (DR420), announced Oct. 29, 2012 [online], [site visited Sep. 22, 2016]. Available from internet, URL: <[http://www.staples.com/Brother-DR-420-Drum-Cartridge/product\\_889092](http://www.staples.com/Brother-DR-420-Drum-Cartridge/product_889092)>.\*

The Difference Between Brother Toner Cartridges and Imaging Drum Unit, announced Jan. 3, 2014 [online], [site visited Sep. 22, 2016]. Available from internet, URL: <<http://printgreen.weebly.com/1/post/2014/01/dont-be-confused-about-the-difference-between-brother-toner-cartridges-and-imaging-drum-unit.html>>.\*

\* cited by examiner



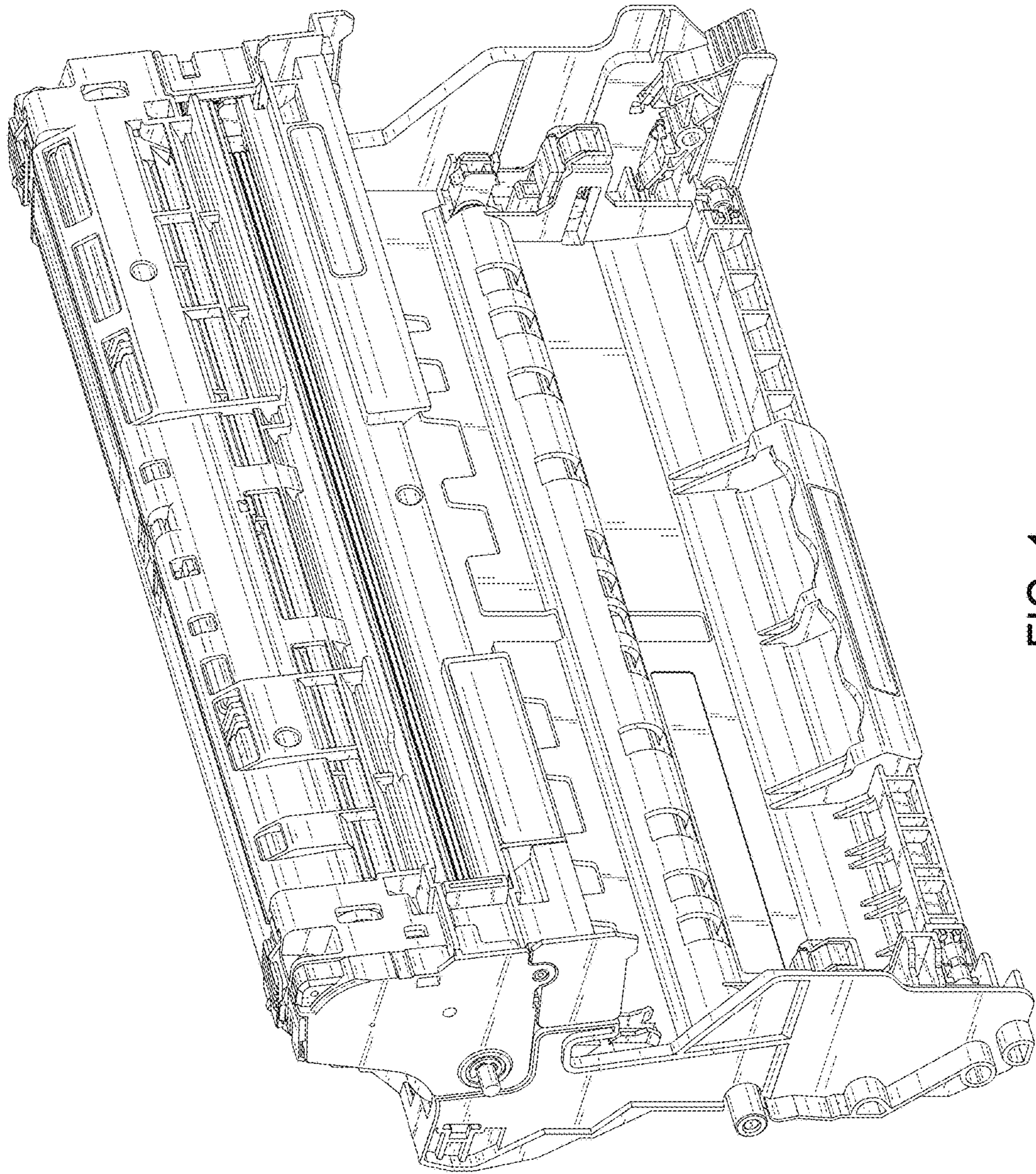


FIG. 1



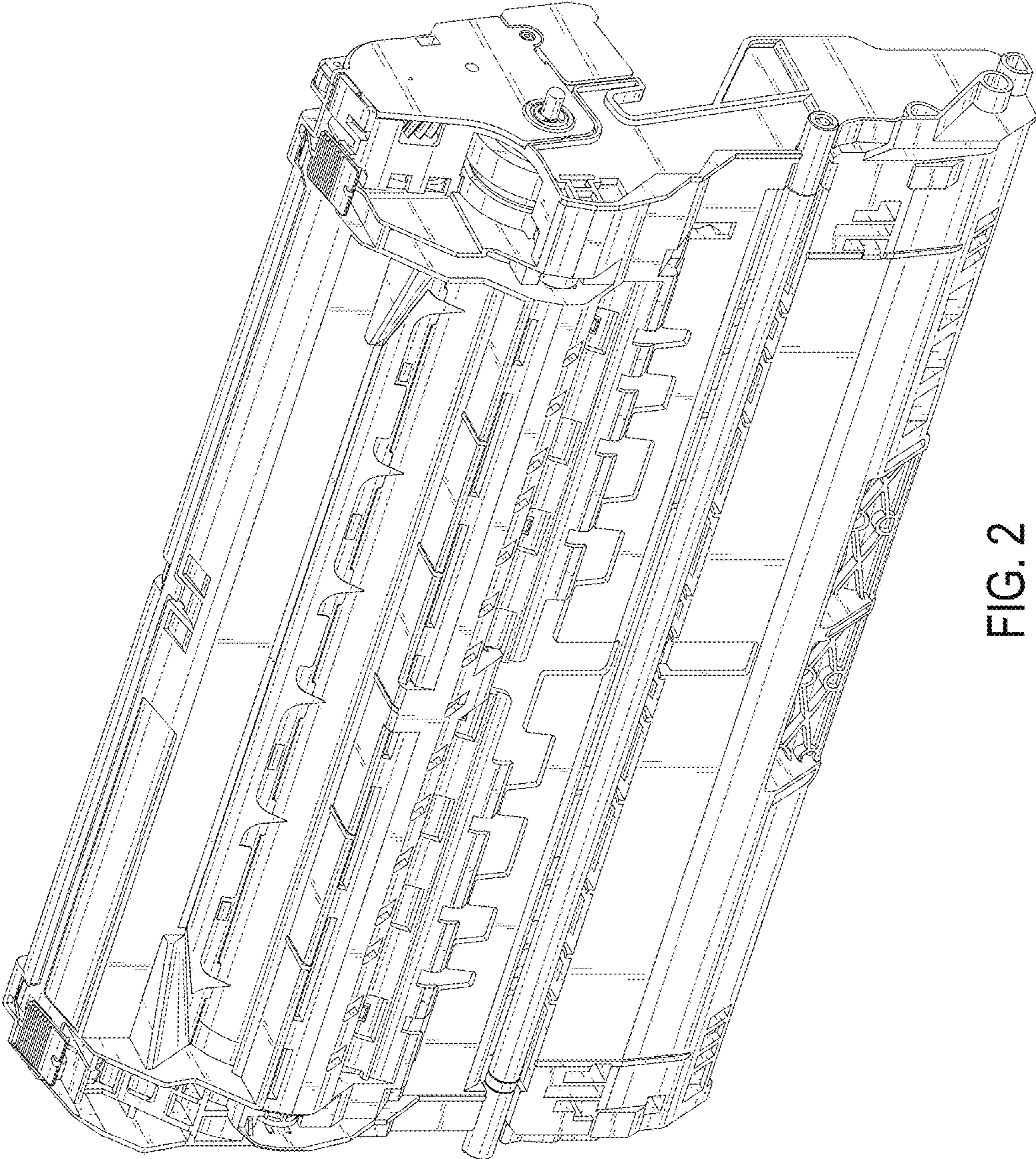


FIG. 2



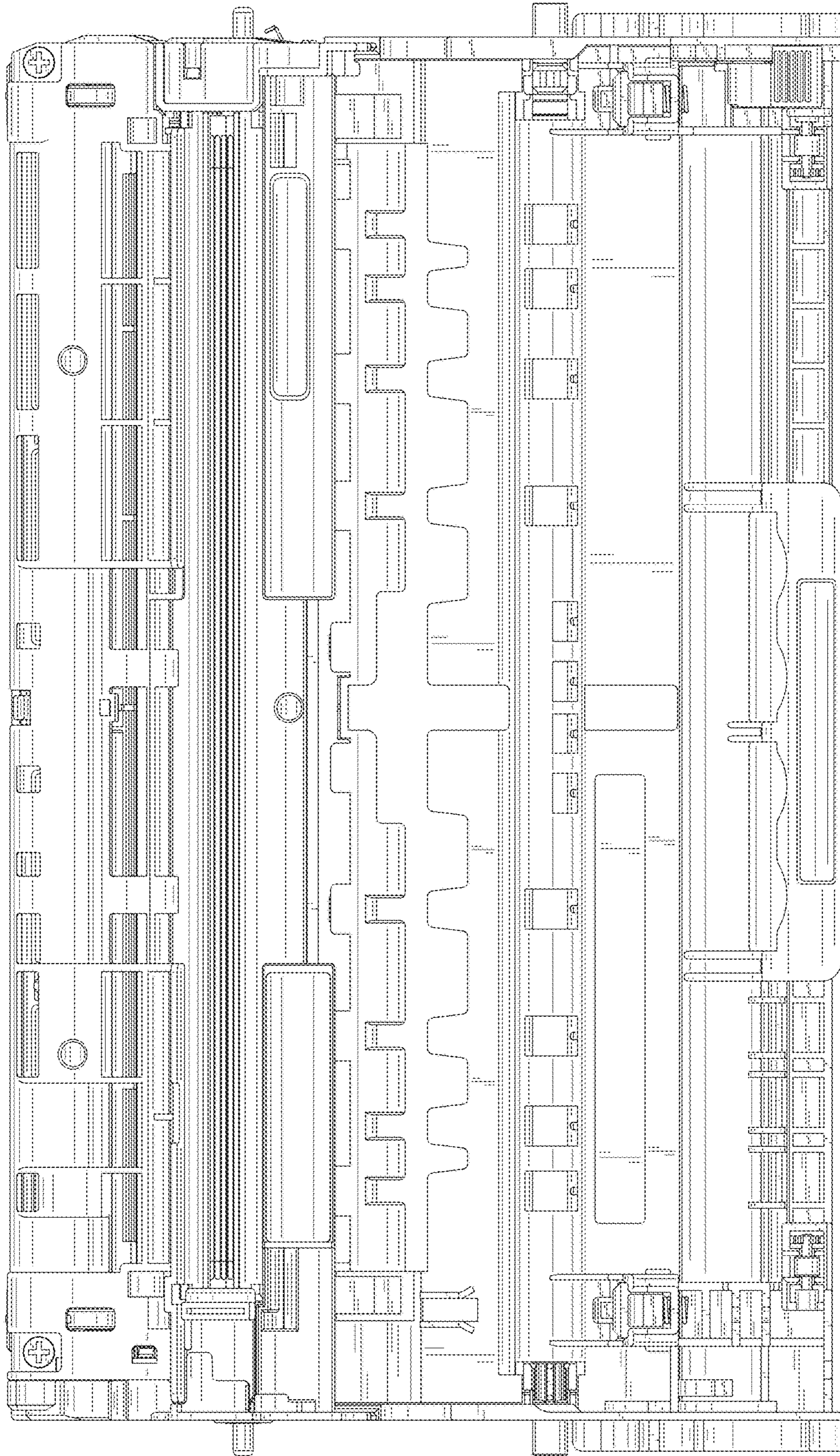


FIG. 3



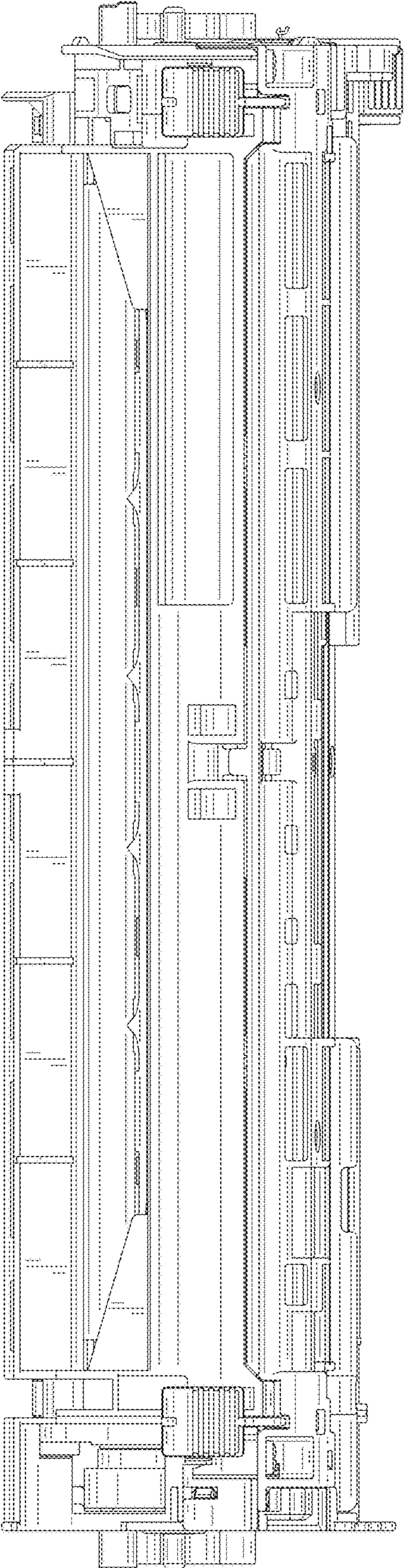


FIG. 4

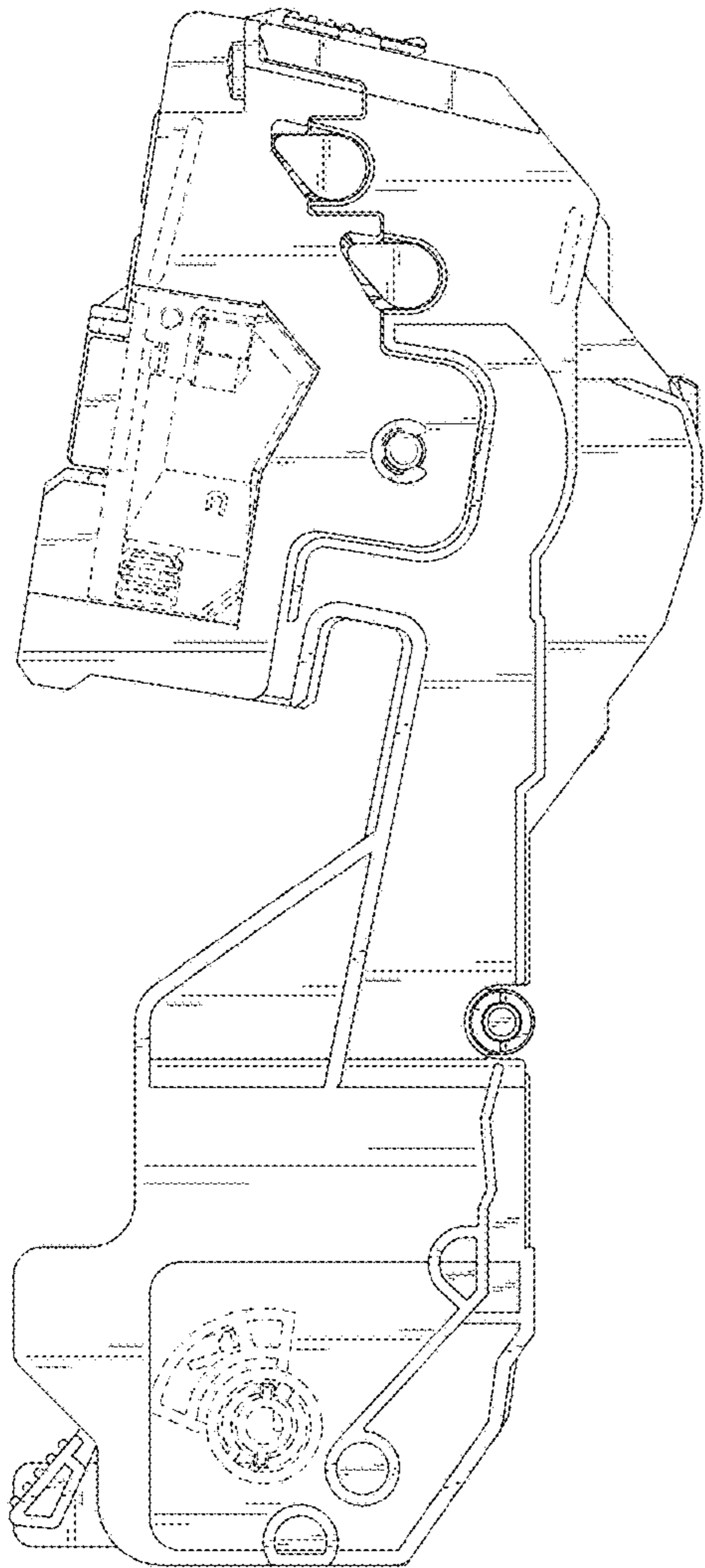


FIG. 5

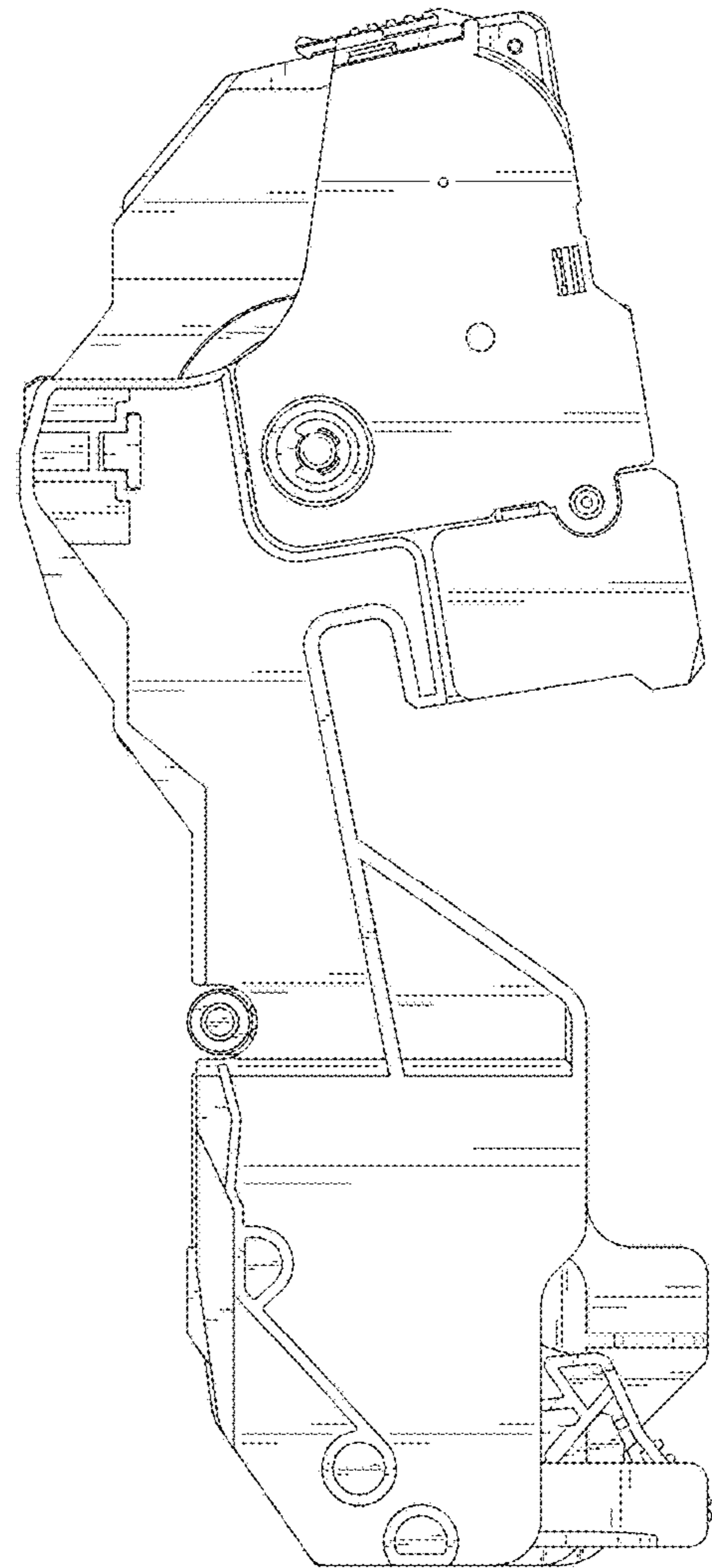


FIG. 6



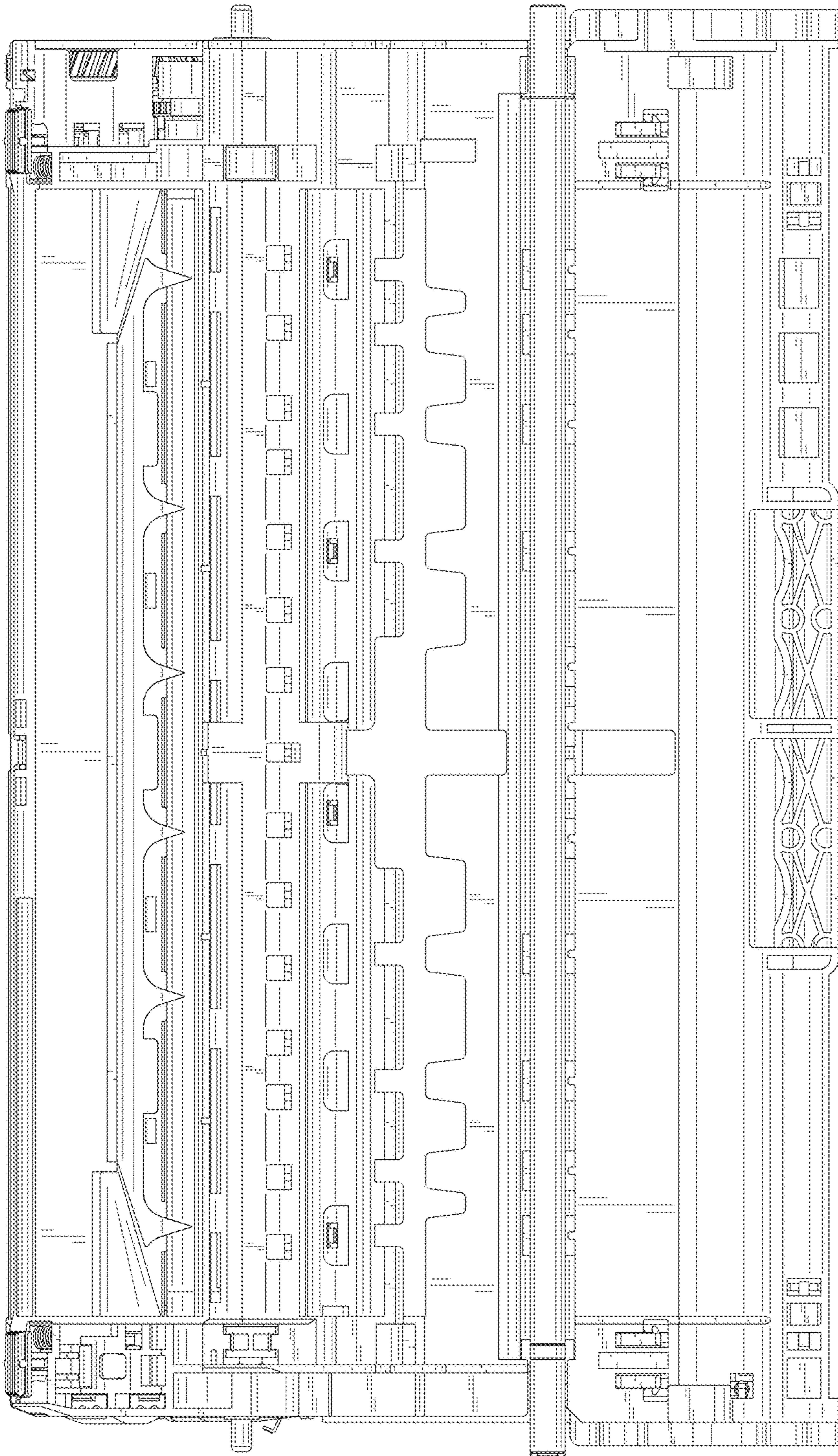


FIG. 7



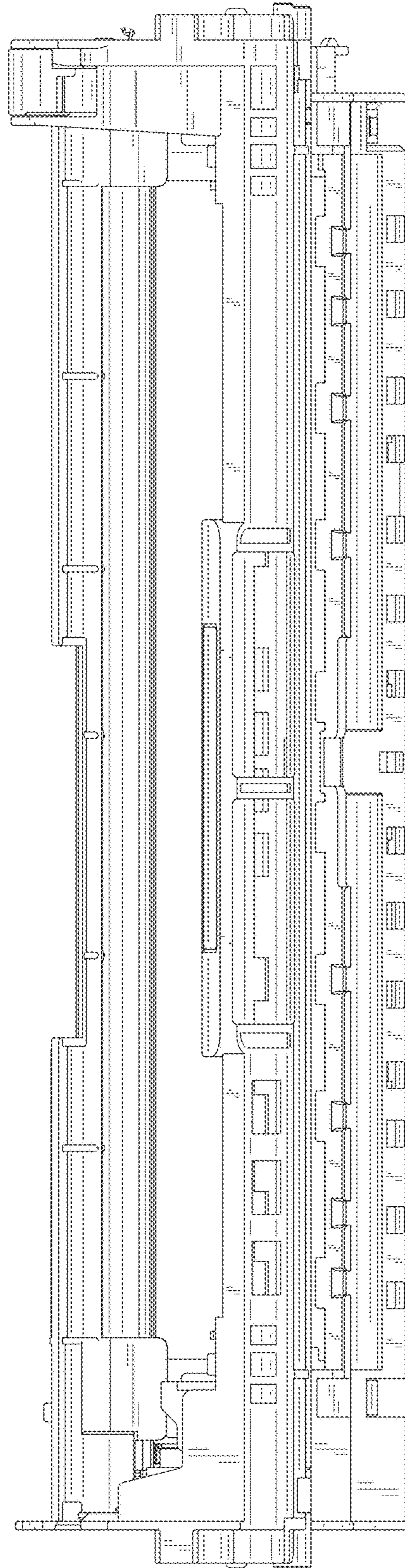


FIG. 8