



US00D783086S

(12) **United States Design Patent**  
**Yan et al.**

(10) **Patent No.:** **US D783,086 S**

(45) **Date of Patent:** **\*\* Apr. 4, 2017**

(54) **TONER CARTRIDGE**

(71) Applicant: **PRINT-RITE • UNICORN IMAGE PRODUCTS CO., LTD. OF ZHUHAI, Zhuhai (CN)**

(72) Inventors: **Yuwen Yan, Zhuhai (CN); Xiaofeng Yang, Zhuhai (CN)**

(73) Assignee: **PRINT-RITE • UNICORN IMAGE PRODUCTS CO., LTD. OF ZHUHAI (CN)**

(\*\*) Term: **14 Years**

(21) Appl. No.: **29/510,115**

(22) Filed: **Nov. 25, 2014**

(30) **Foreign Application Priority Data**

Jun. 6, 2014 (CN) ..... 2014 3 0169877

(51) **LOC (10) Cl.** ..... **16-03**

(52) **U.S. Cl.**  
USPC ..... **D18/43**

(58) **Field of Classification Search**  
USPC ..... D18/18, 40, 43, 56, 99  
CPC ..... G06K 19/07749; G06K 19/0723; G06K 19/041; G06K 19/07758; G06K 19/0775; G06K 19/07783; G06K 19/07794; G06K 19/06046; G06K 19/07722; G06K 19/07773; G06K 19/07779; G06K 19/07784; G06K 19/07786; G06K 19/0709; G06K 19/07; G06K 19/0716; G06K 19/0717; G06K 19/07336; G06K 19/07345; G06K 19/07372; G06K 19/07381; G06K 19/0739; G06K 19/077; G06K 19/07701; G06K 19/07705; G06K 19/07707; G06K 19/07709; G06K 19/07715; G06K 19/07716

See application file for complete search history.

(56) **References Cited**

**U.S. PATENT DOCUMENTS**

D245,761 S *	9/1977	Alseth .....	D18/43
D442,215 S *	5/2001	Fujita .....	D18/43
D452,264 S *	12/2001	Sato .....	D18/43
D524,848 S *	7/2006	Murata .....	D18/43
D621,871 S *	8/2010	Maeshima .....	D18/43
D674,004 S *	1/2013	Shimomura .....	D18/43
D679,750 S *	4/2013	Fujii .....	D18/43
D720,396 S *	12/2014	Torimoto .....	D18/43
D733,794 S *	7/2015	Oda .....	D18/43
D736,309 S *	8/2015	Kang .....	D18/43
D742,962 S *	11/2015	O'Reilly .....	D18/56

\* cited by examiner

*Primary Examiner* — Ian Simmons

*Assistant Examiner* — Khawaja Anwar

(74) *Attorney, Agent, or Firm* — Lerner, David, Littenberg, Krumholz & Mentlik, LLP

(57) **CLAIM**

The ornamental designs for a toner cartridge, as shown and described.

**DESCRIPTION**

FIG. 1 is a front elevational view of a toner cartridge showing our new design;  
FIG. 2 is a bottom plan view thereof;  
FIG. 3 is a top plan view thereof;  
FIG. 4 is a right side view thereof;  
FIG. 5 is a rear elevational view thereof;  
FIG. 6 is a left side view thereof;  
FIG. 7 is a first perspective view thereof; and,  
FIG. 8 is a second perspective view thereof.  
The broken line in figure drawings represents unclaimed environment only and forms no part of the claimed design.

**1 Claim, 7 Drawing Sheets**

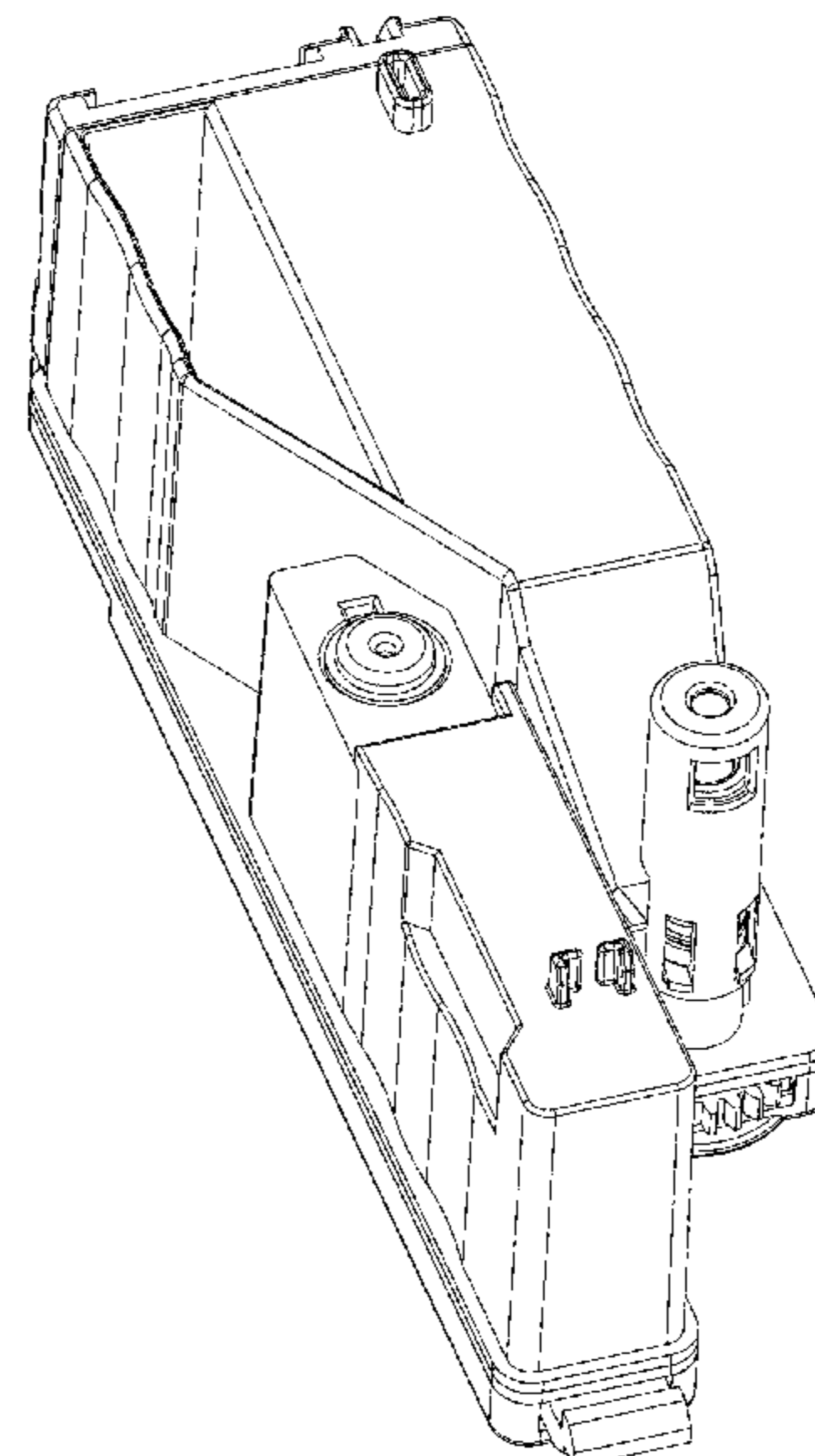
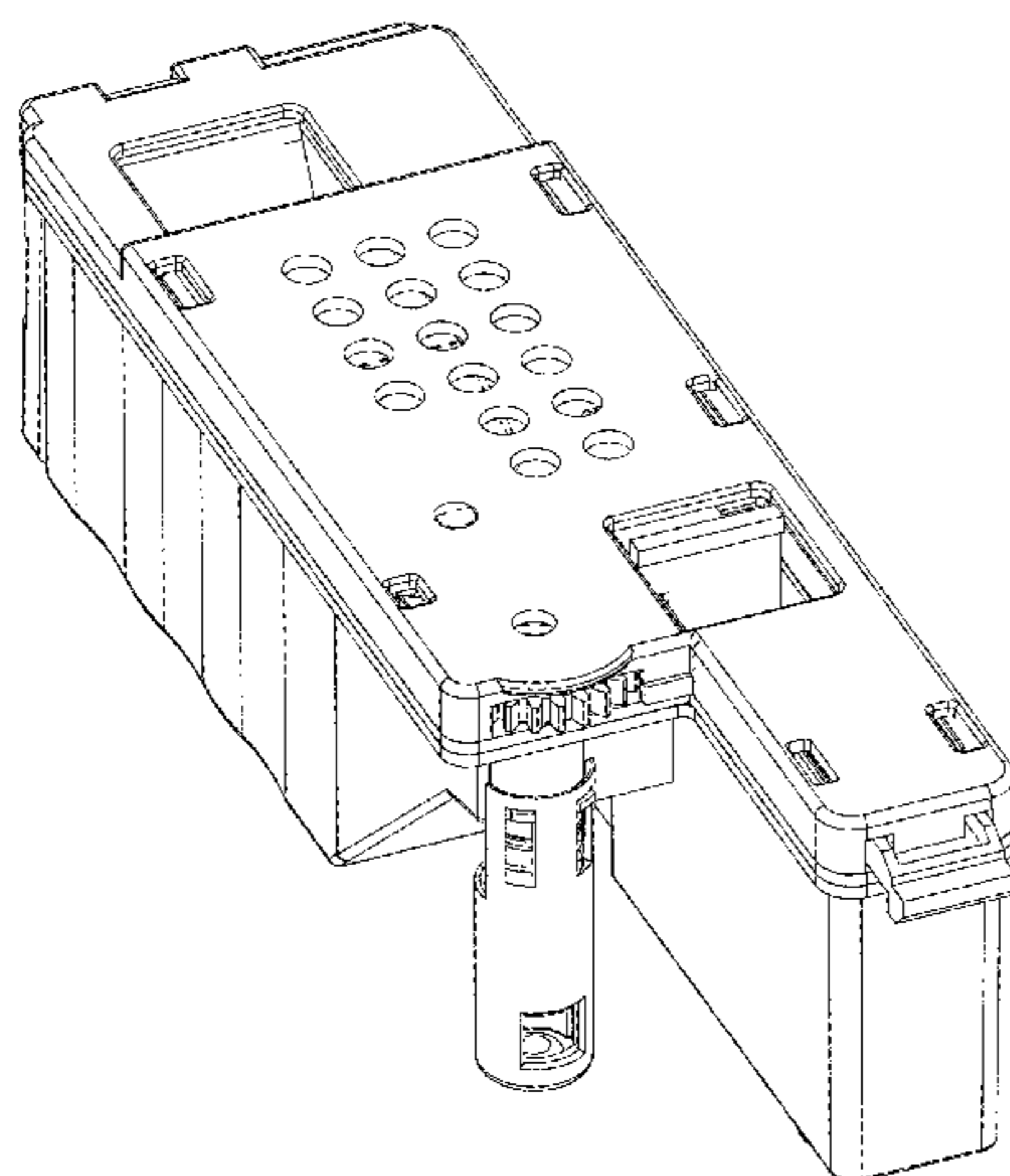


FIG. 1

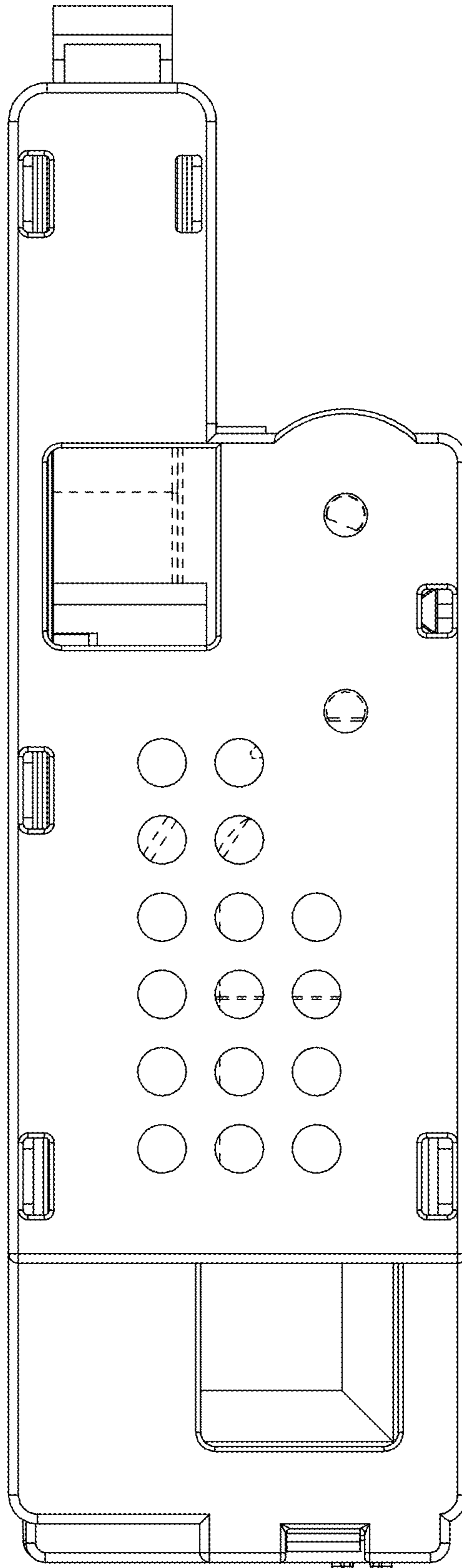


FIG. 2

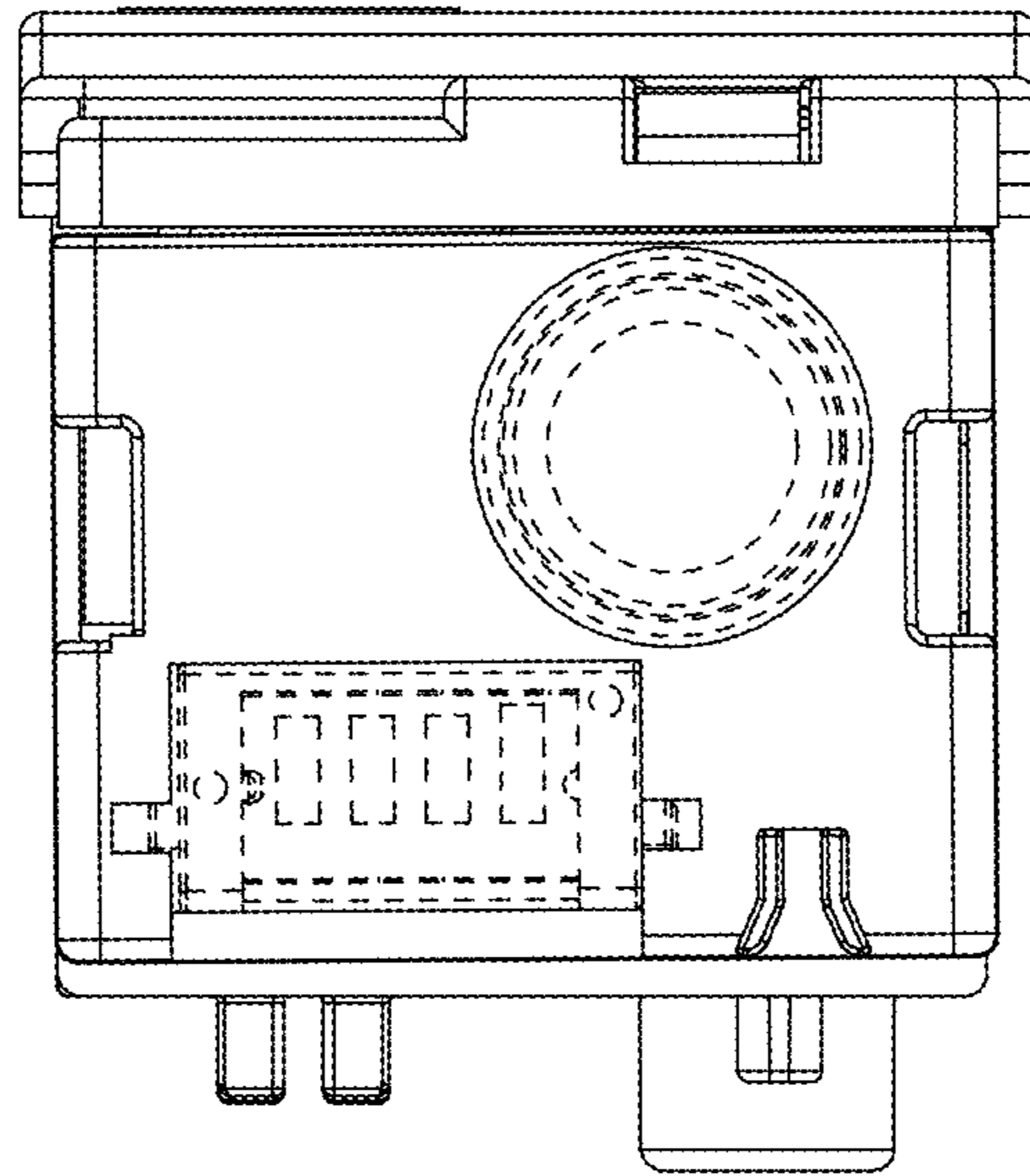


FIG. 3

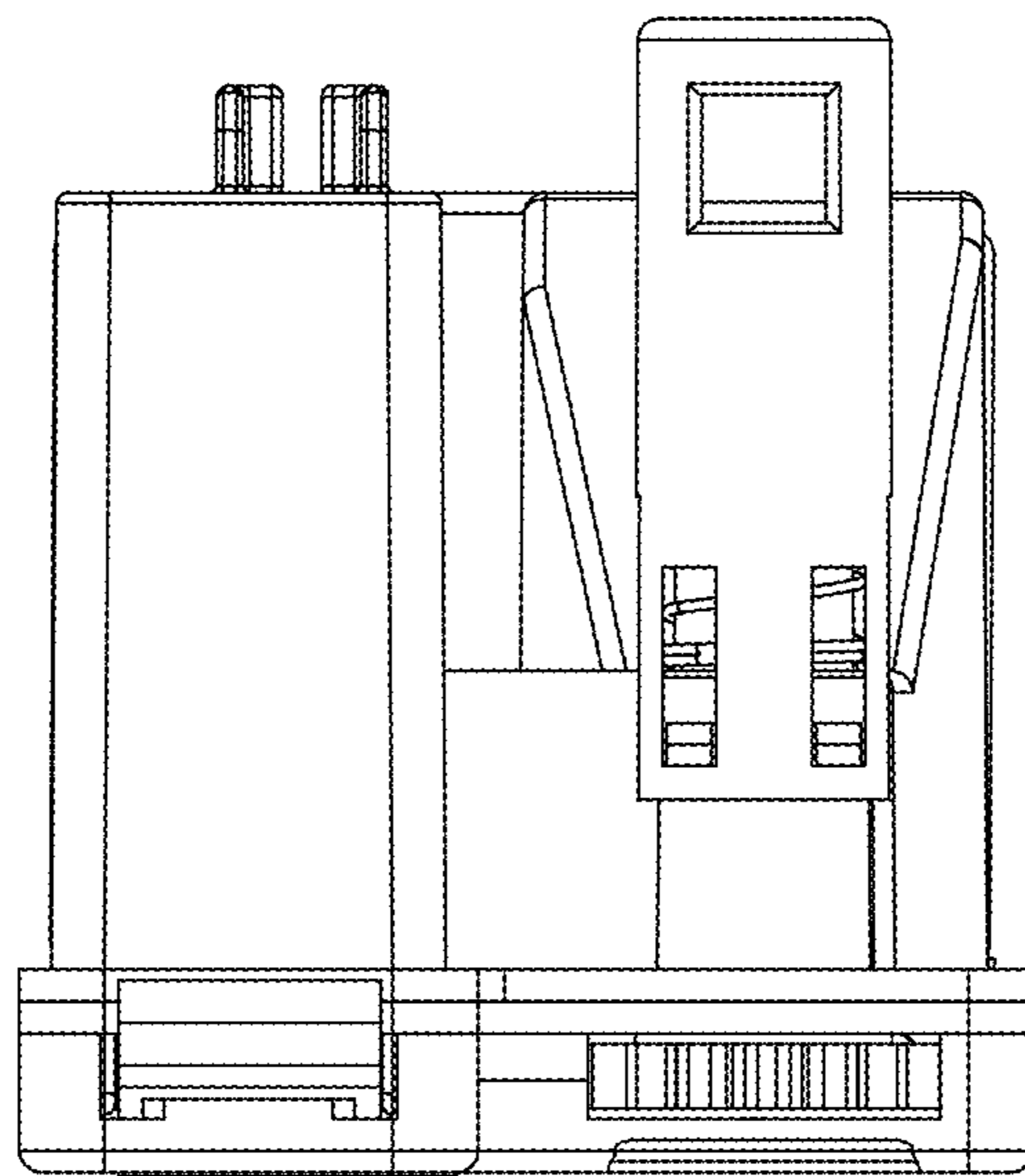


FIG. 4

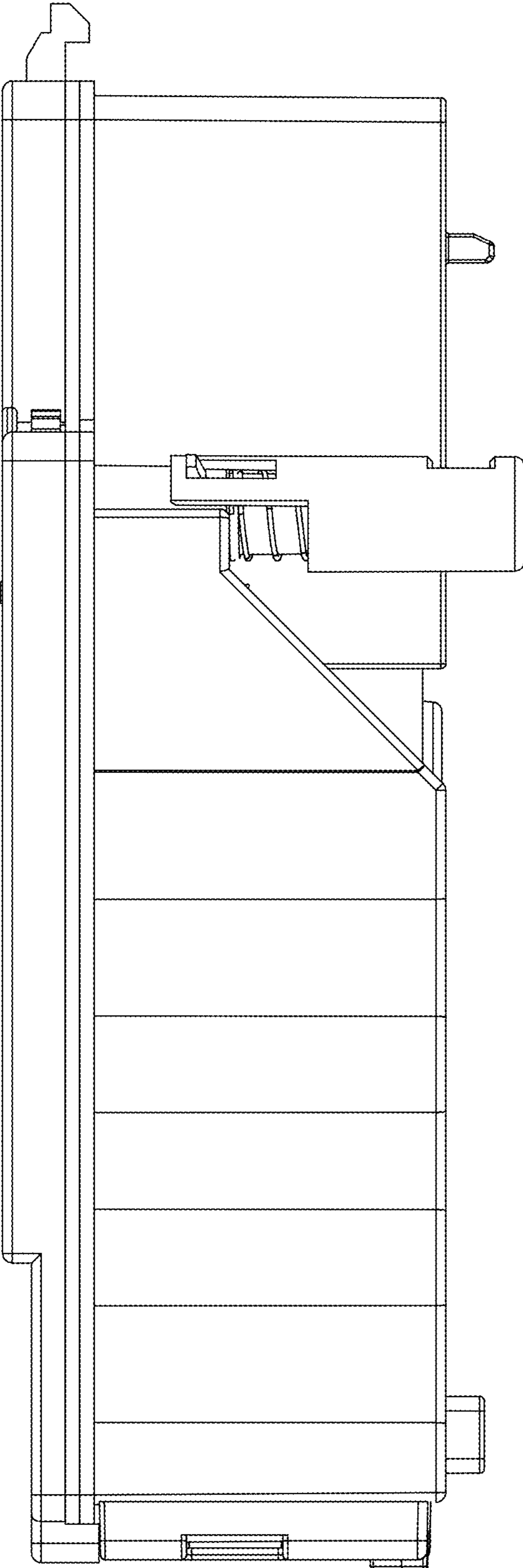


FIG. 5

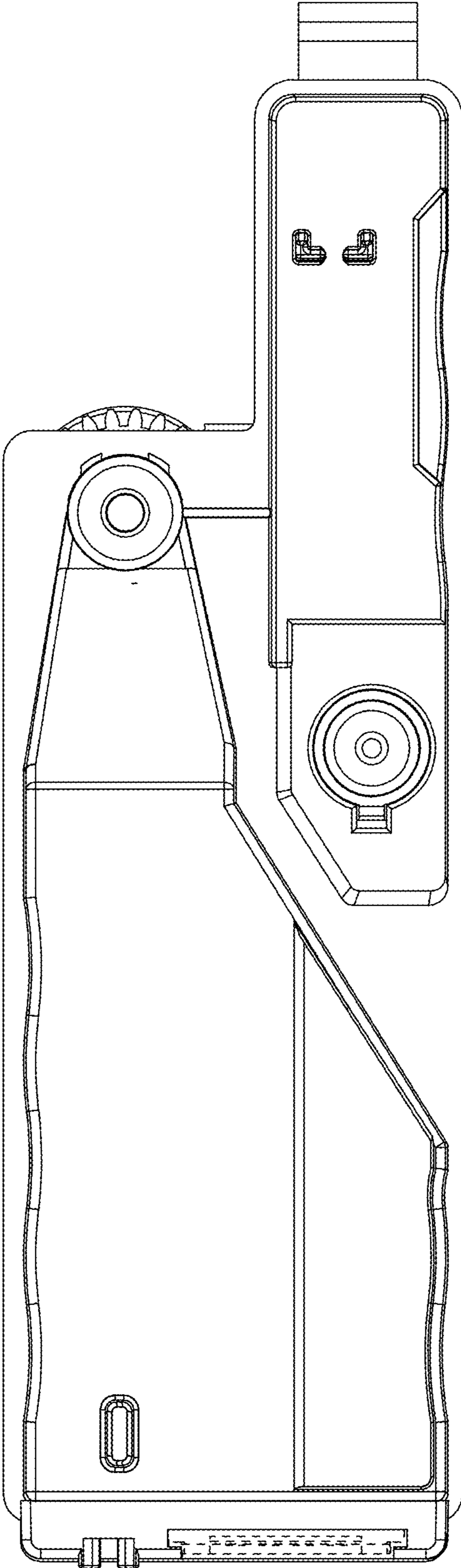




FIG. 6

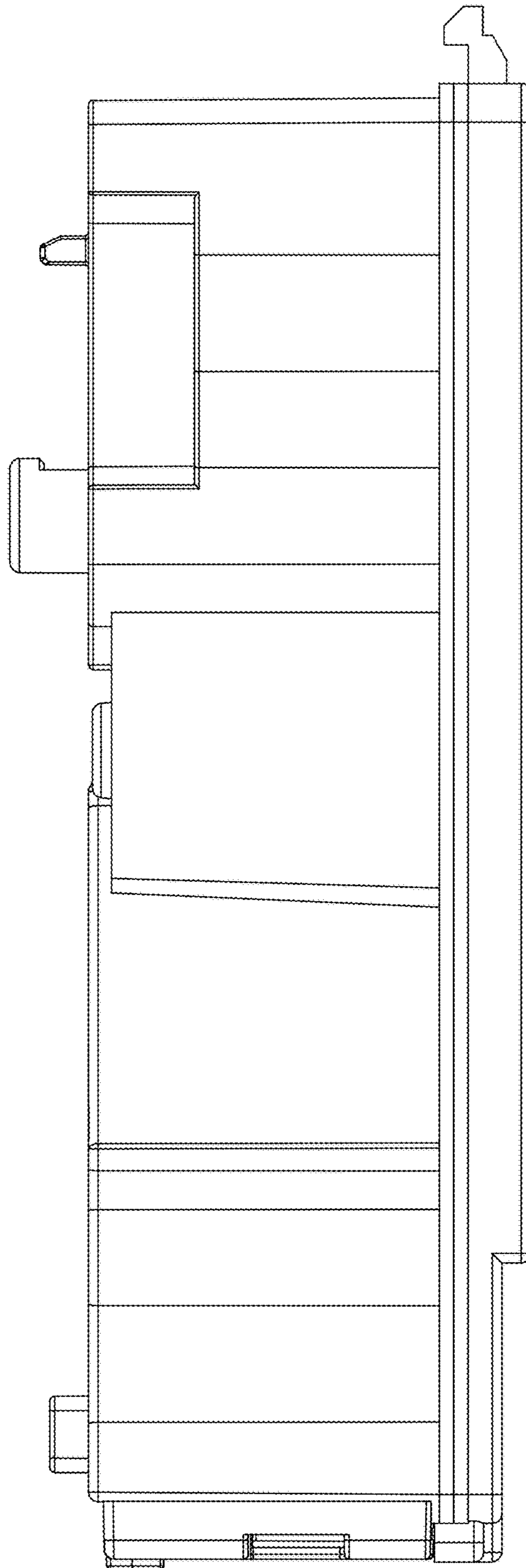


FIG. 7

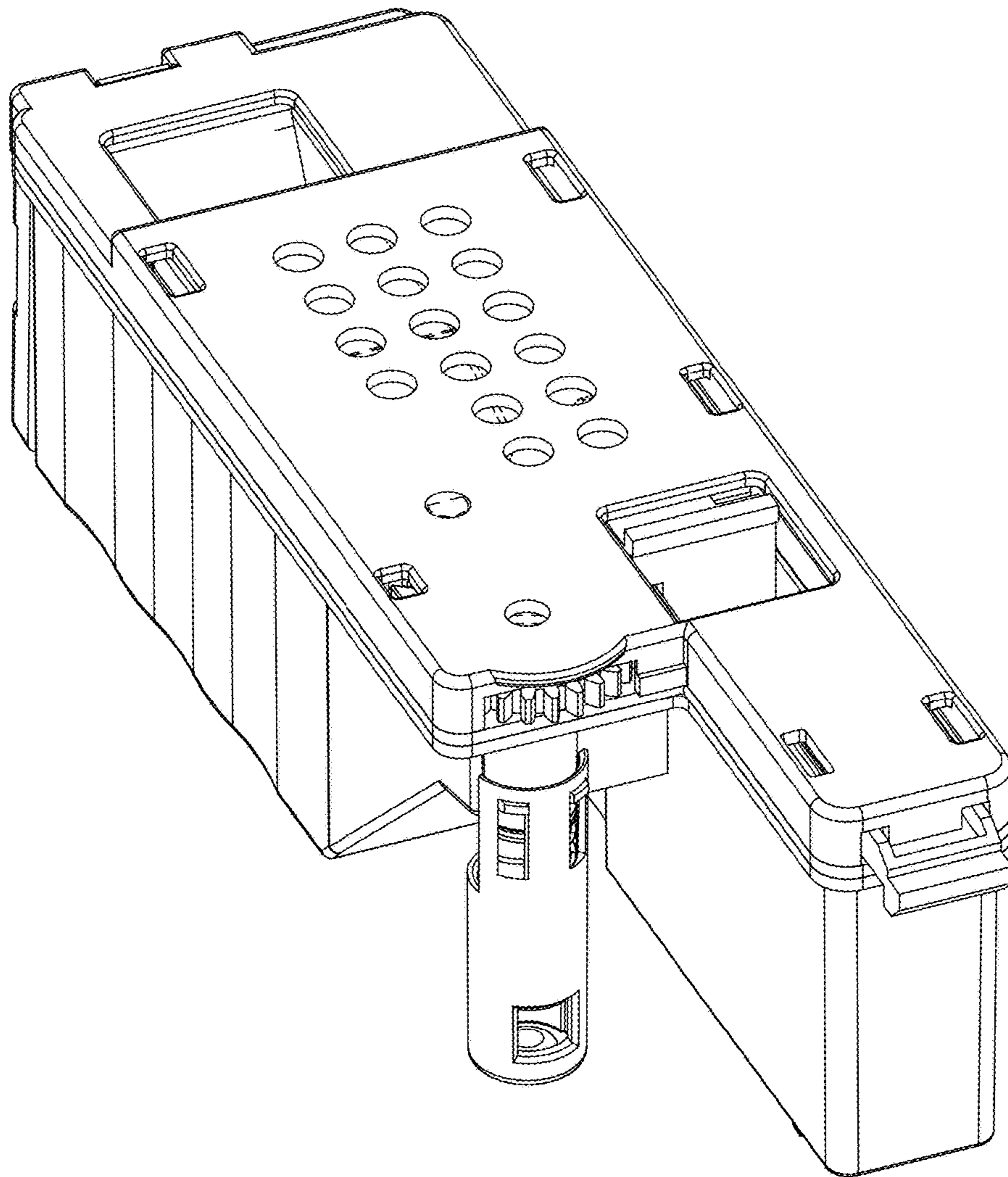


FIG. 8

