



US00D783079S

(12) **United States Design Patent** (10) **Patent No.:** **US D783,079 S**  
**Lee et al.** (45) **Date of Patent:** **\*\* Apr. 4, 2017**

(54) **CAMERA ARM MOUNT**

(71) Applicant: **GoPro, Inc.**, San Mateo, CA (US)

(72) Inventors: **Seuncheon Lee**, Cupertino, CA (US);  
**Ryan Harrison**, El Granada, CA (US)

(73) Assignee: **GoPro, Inc.**, San Mateo, CA (US)

(\*\*) Term: **15 Years**

(21) Appl. No.: **29/548,666**

(22) Filed: **Dec. 15, 2015**

(51) **LOC (10) Cl.** ..... **16-05**

(52) **U.S. Cl.**  
USPC ..... **D16/242**

(58) **Field of Classification Search**  
USPC ..... D16/200, 204, 208, 213, 219, 235,  
D16/237-250; D14/250-253; D8/313,  
D8/349, 382, 383; D15/2-6, 138, 144;  
D12/162  
CPC ..... G03B 17/56; G03B 17/561-17/568; G03B  
21/20; G02B 7/00-7/002; F16M 11/02;  
F16M 11/04; F16M 11/20; F16M 11/40  
See application file for complete search history.

(56) **References Cited**

**U.S. PATENT DOCUMENTS**

- 2,336,104 A \* 12/1943 Laube ..... F16M 11/18  
248/178.1
- 4,341,452 A \* 7/1982 Korling ..... F16M 11/105  
248/179.1
- D594,050 S \* 6/2009 Gartner ..... D16/131
- 7,621,680 B2 \* 11/2009 Frick ..... G08B 13/19619  
348/143
- D706,603 S \* 6/2014 Kokawa ..... D8/16
- D737,647 S \* 9/2015 Elder ..... D15/140
- D755,277 S \* 5/2016 Sohnholz ..... D14/226

- D758,474 S \* 6/2016 Harrison ..... D16/242
- 2008/0152337 A1 \* 6/2008 Gartner ..... G02B 21/362  
396/428
- 2014/0226055 A1 \* 8/2014 Schmidt ..... G03B 13/02  
348/333.09

(Continued)

**OTHER PUBLICATIONS**

Action Video Suction Cup. [online] Published date Oct. 23, 2014. Retrieved on Nov. 2, 2016 from <URL: [https://www.amazon.com/Suction-Locking-JOBY-Easy-Anti-Vibration-Cameras/dp/B00O8R7A72/ref=pd\\_sim\\_421\\_2?encoding=UTF8&pd\\_rd\\_i=B00O8R7A72&pd\\_rd\\_r=AGCVZH2ZHQKHT5BBX2Gz&pd\\_rd\\_w=7Jkpc&pd\\_rd\\_wg=DMkYF&psc=1&refRID=AGCVZH2ZHQKHT5BBX2GZ](https://www.amazon.com/Suction-Locking-JOBY-Easy-Anti-Vibration-Cameras/dp/B00O8R7A72/ref=pd_sim_421_2?encoding=UTF8&pd_rd_i=B00O8R7A72&pd_rd_r=AGCVZH2ZHQKHT5BBX2Gz&pd_rd_w=7Jkpc&pd_rd_wg=DMkYF&psc=1&refRID=AGCVZH2ZHQKHT5BBX2GZ)>.\*

(Continued)

*Primary Examiner* — Vy Koenig  
*Assistant Examiner* — Omeed Agilee  
(74) *Attorney, Agent, or Firm* — Fenwick & West LLP

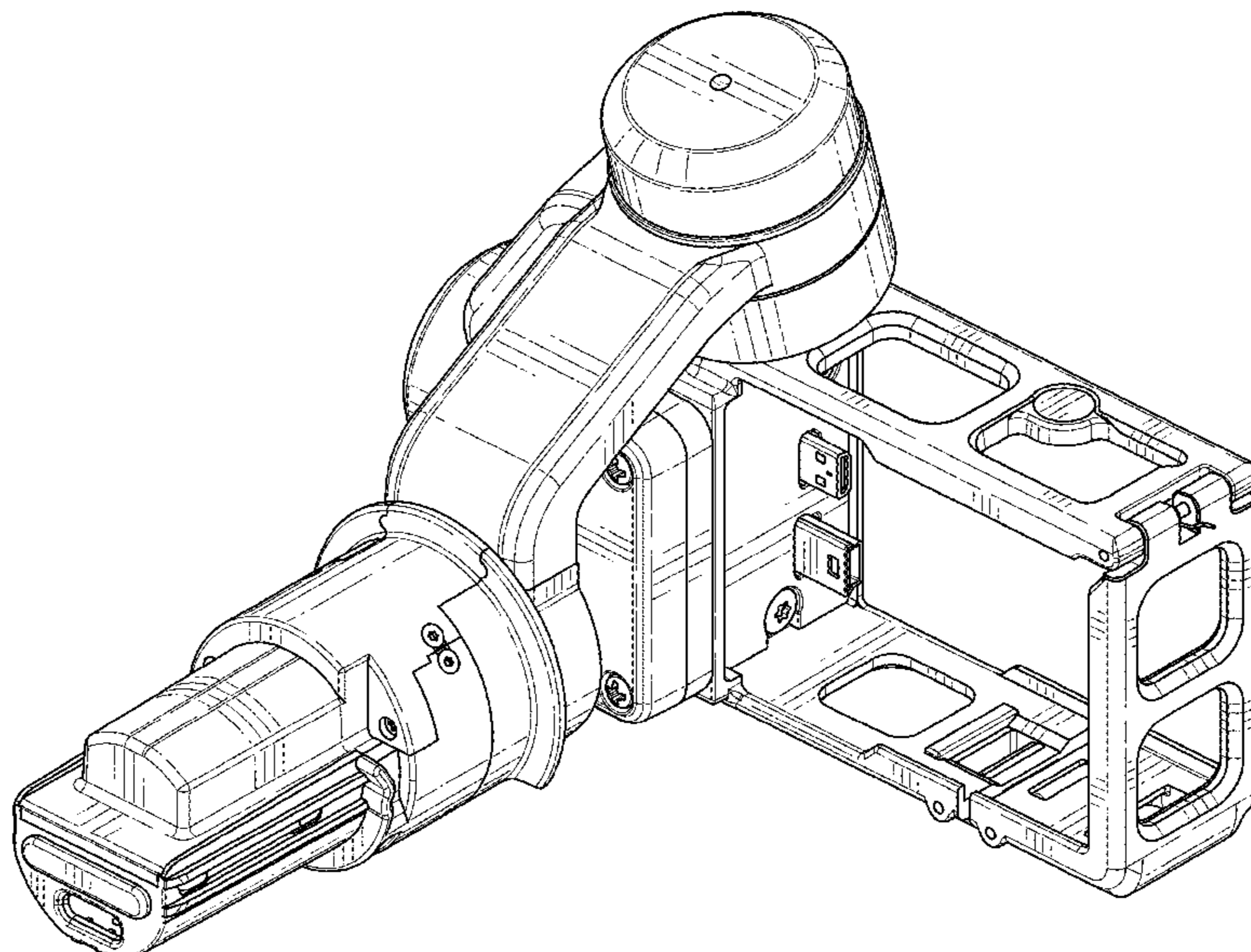
(57) **CLAIM**

The ornamental design for a camera arm mount, as shown and described.

**DESCRIPTION**

FIG. 1 is a rear, top, and left perspective view of a camera arm mount;  
FIG. 2 is a front, bottom, and right perspective view thereof;  
FIG. 3 is a rear, top, and right perspective view thereof;  
FIG. 4 is a front, bottom, and left perspective view thereof;  
FIG. 5 is a front view thereof;  
FIG. 6 is a rear view thereof;  
FIG. 7 is a right view thereof;  
FIG. 8 is a left view thereof;  
FIG. 9 is a top view thereof; and,  
FIG. 10 is a bottom view thereof.  
The broken lines in the drawings depict portions of the camera arm mount that form no part of the claimed design.

**1 Claim, 10 Drawing Sheets**



(56)

**References Cited**

U.S. PATENT DOCUMENTS

2015/0168815 A1\* 6/2015 Chen ..... G03B 17/561  
396/427

OTHER PUBLICATIONS

Karma Stabilizer. [online] Published date unknown. Retrieved on  
Nov. 10, 2016 from <URL: [http://shop.gopro.com/accessories-2/  
karma-stabilizer/AGMBL-001.html](http://shop.gopro.com/accessories-2/karma-stabilizer/AGMBL-001.html)>.\*

\* cited by examiner

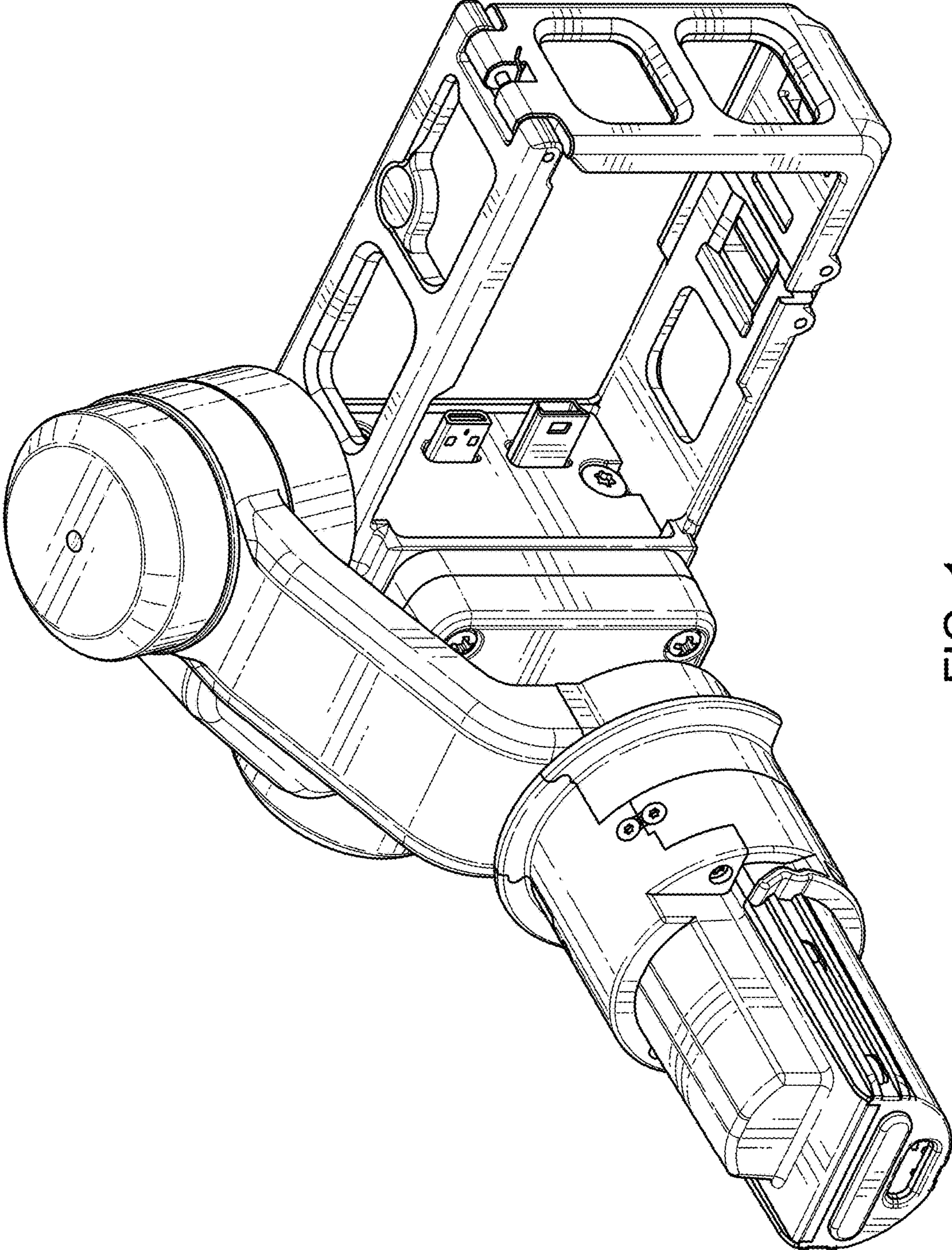


FIG. 1

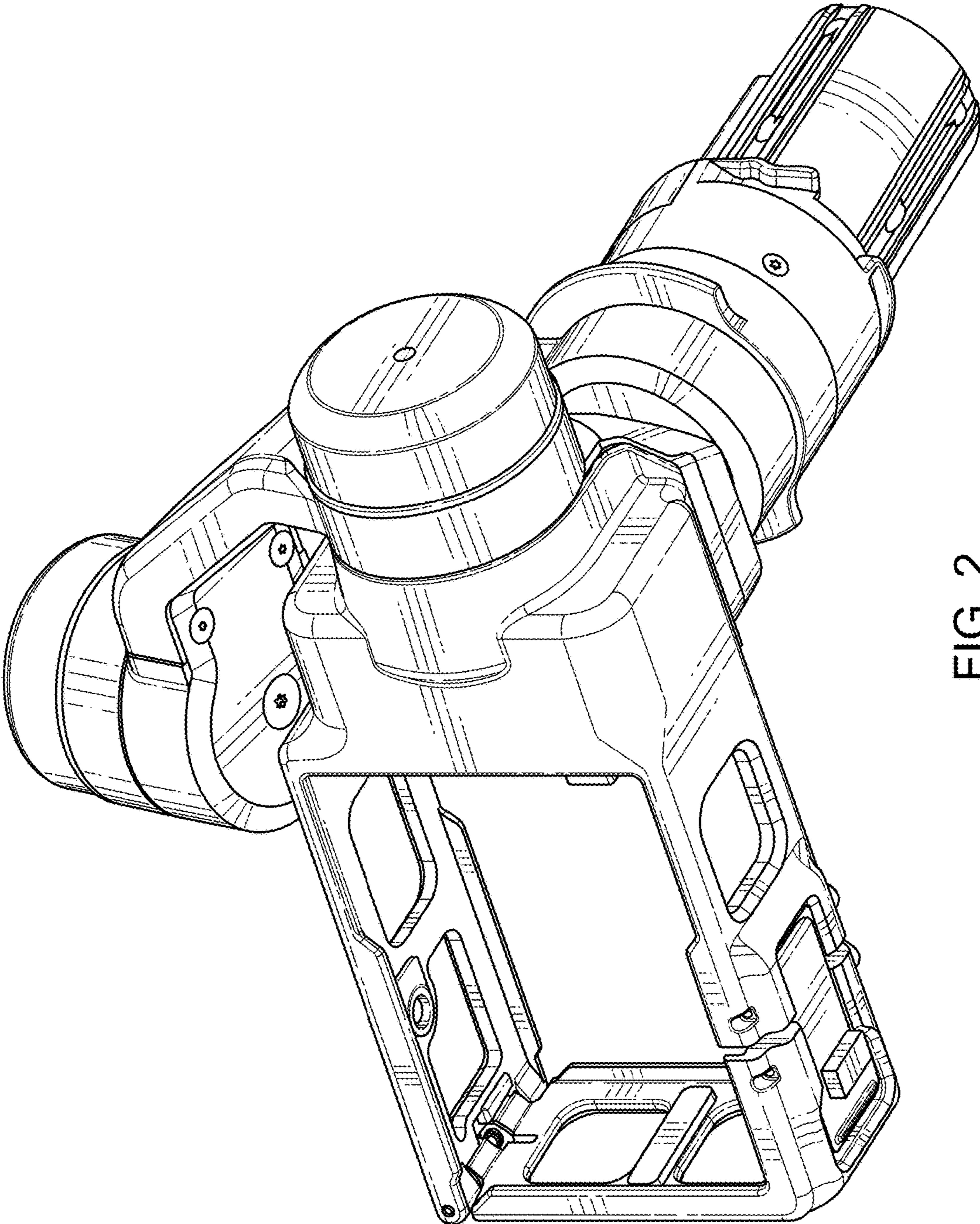


FIG. 2

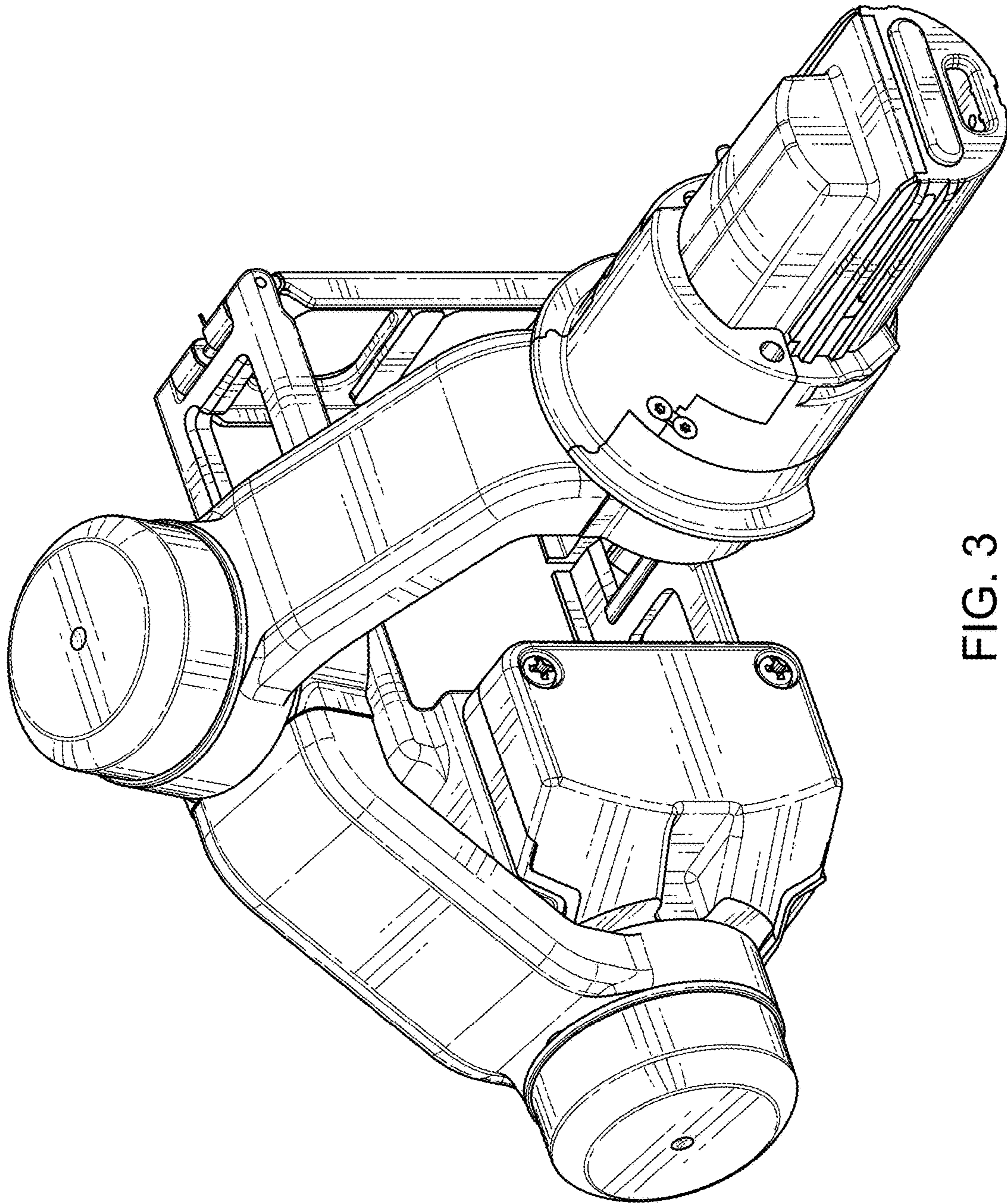


FIG. 3

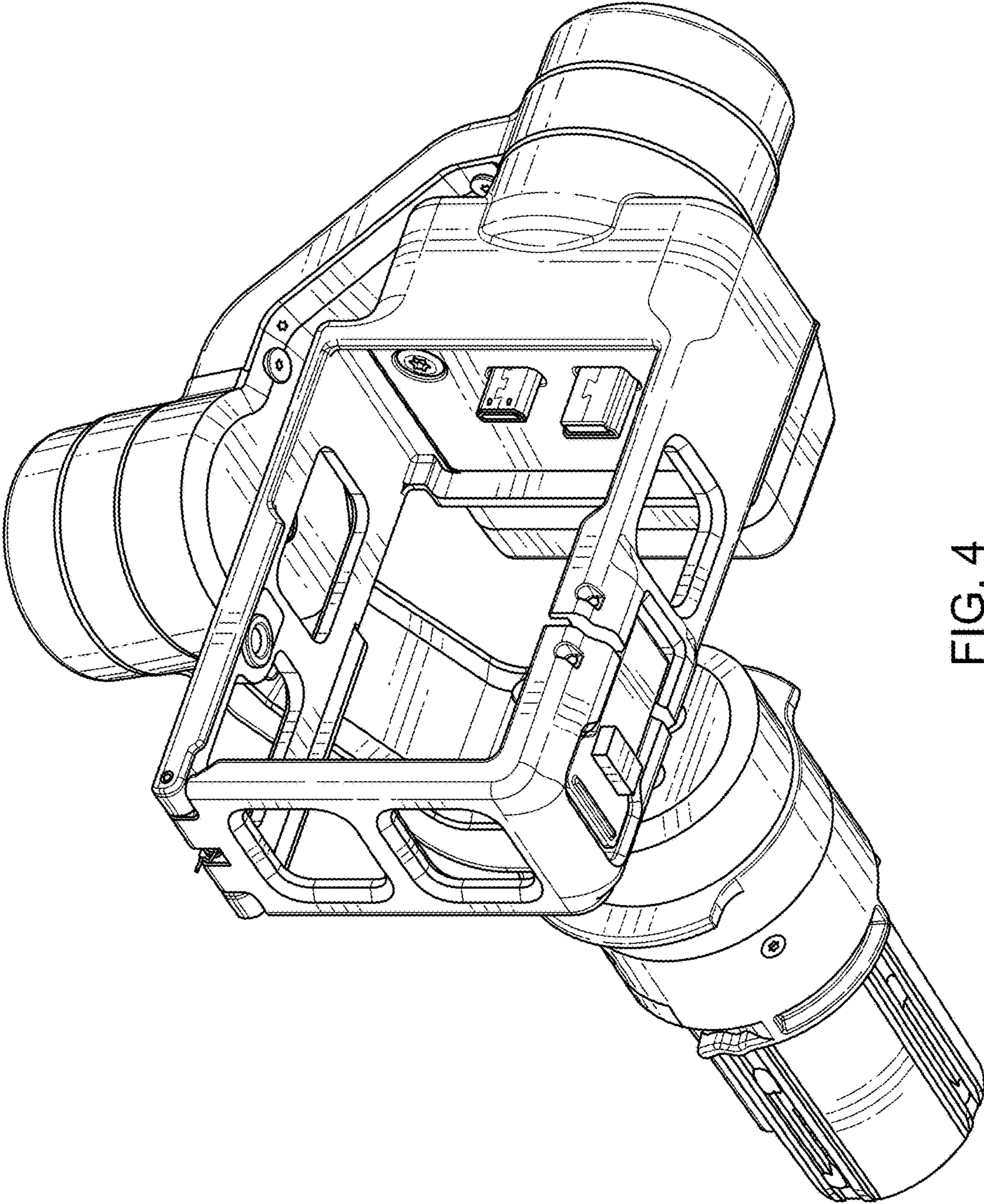


FIG. 4

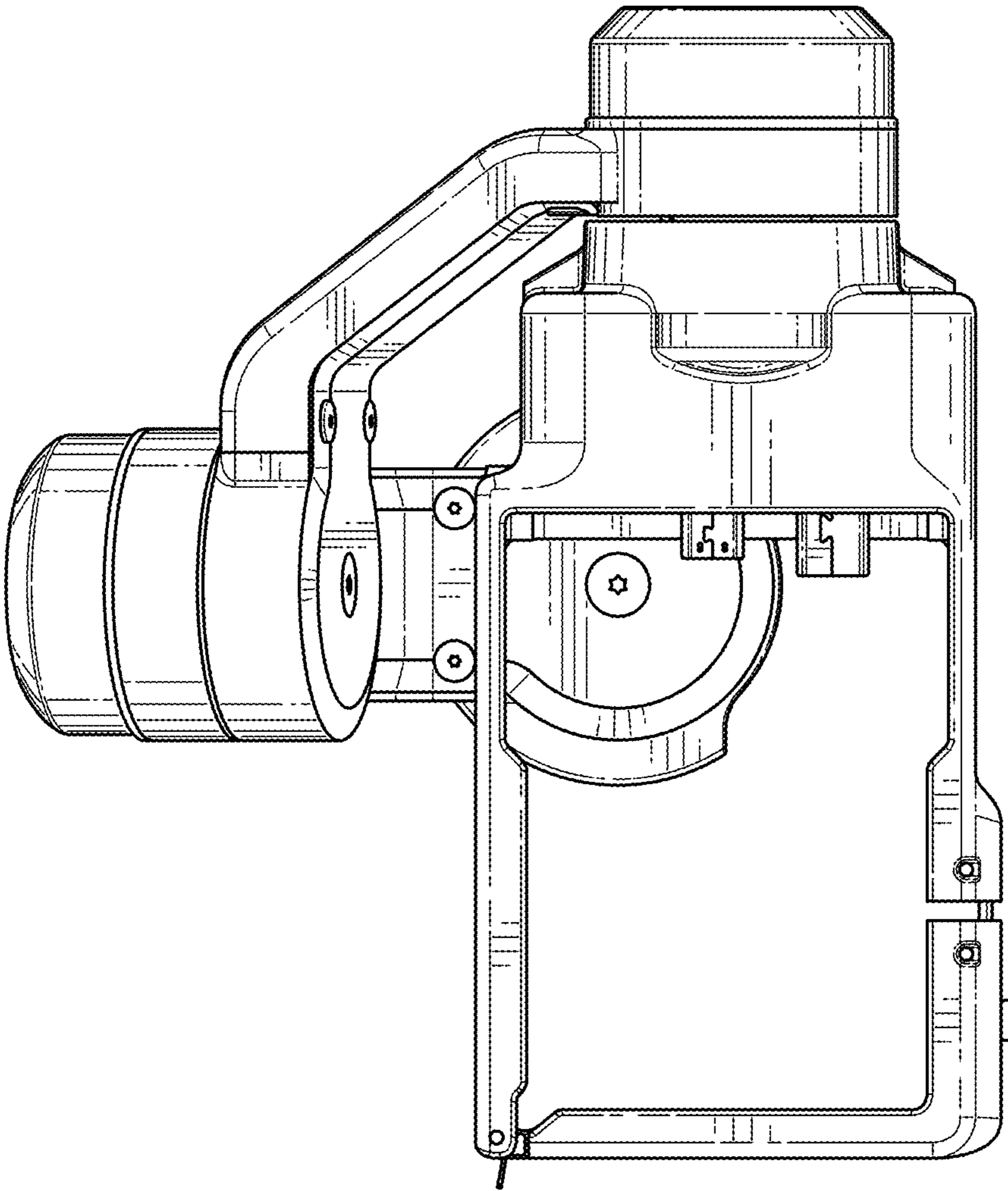


FIG. 5

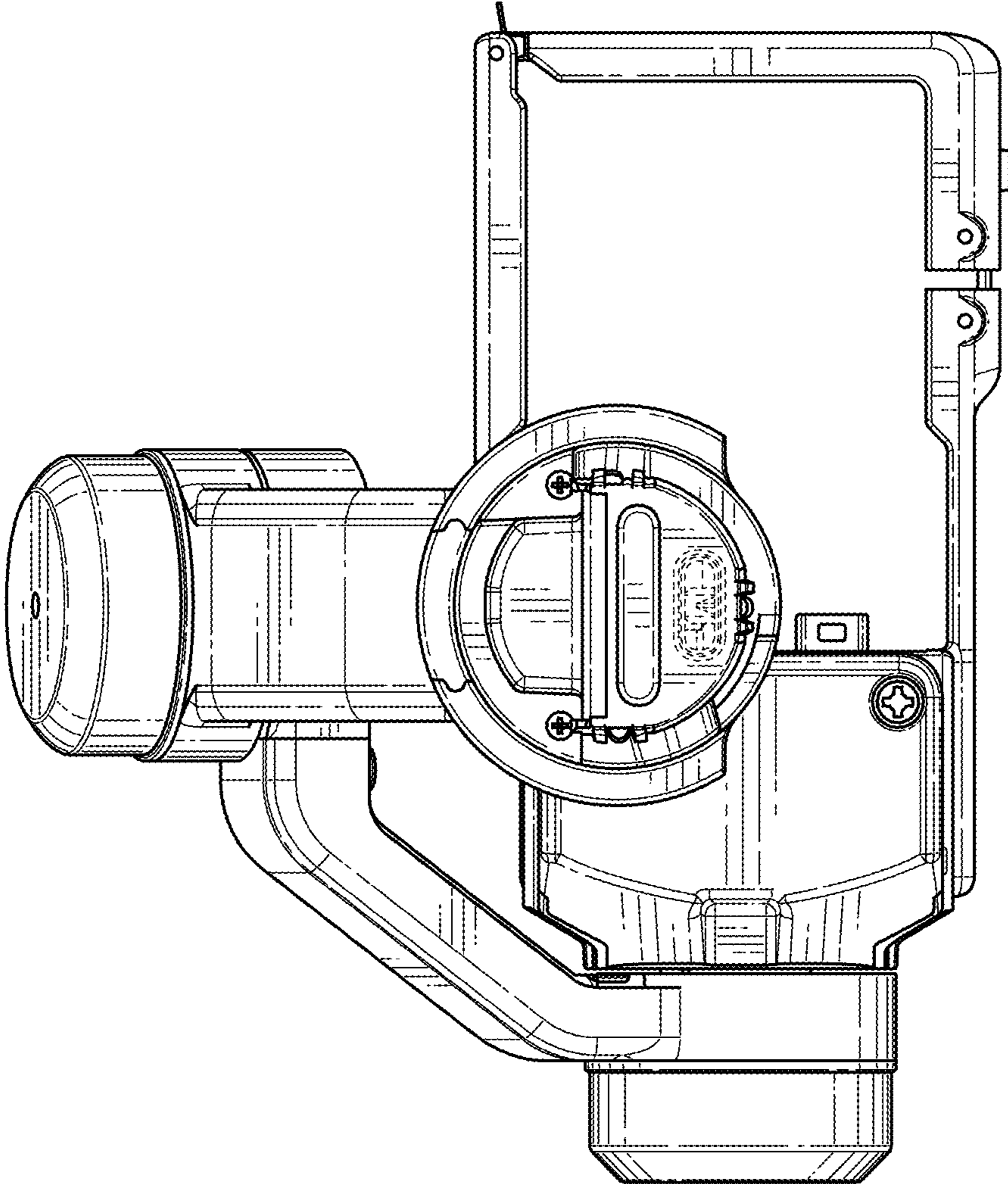


FIG. 6



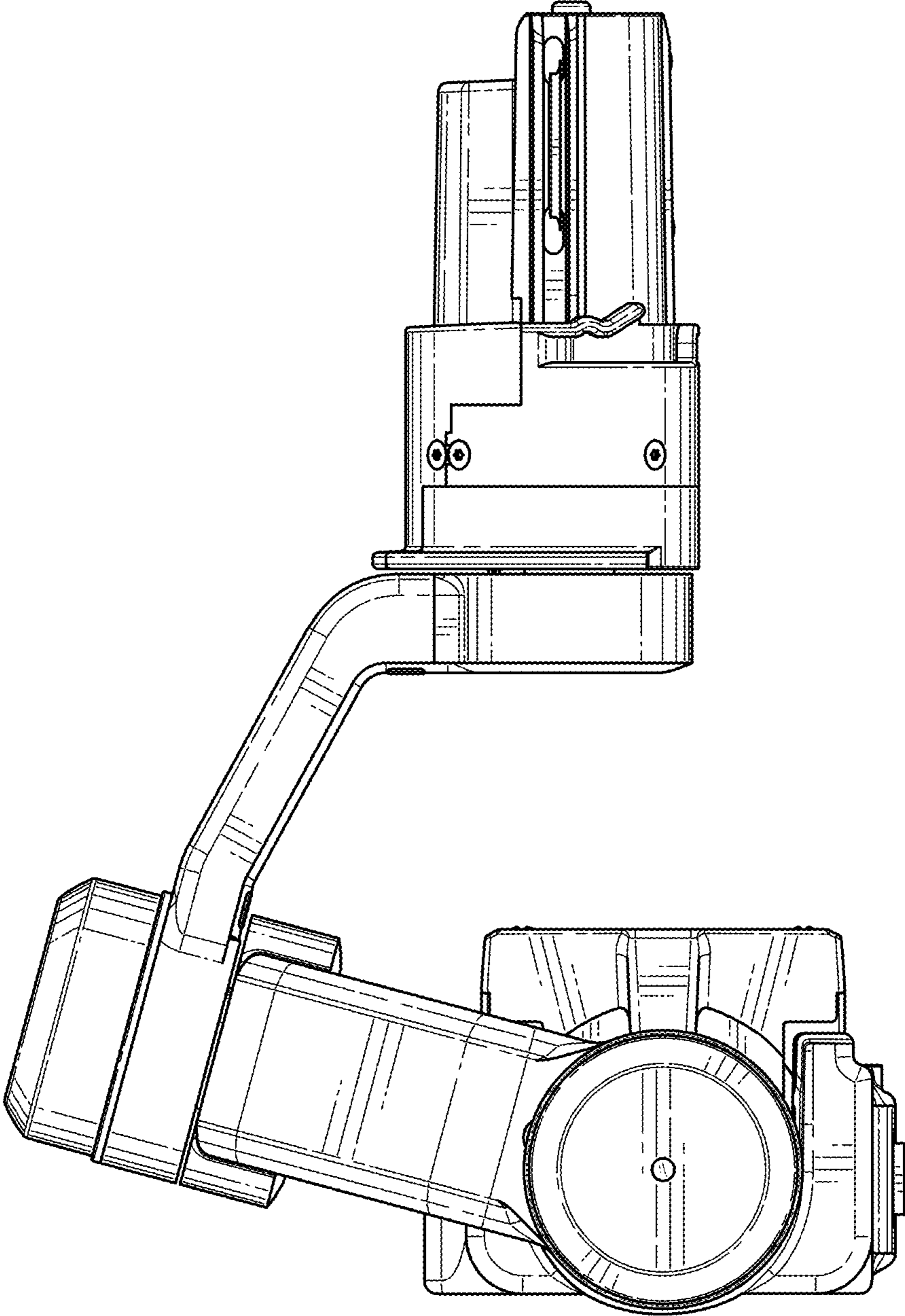


FIG. 7

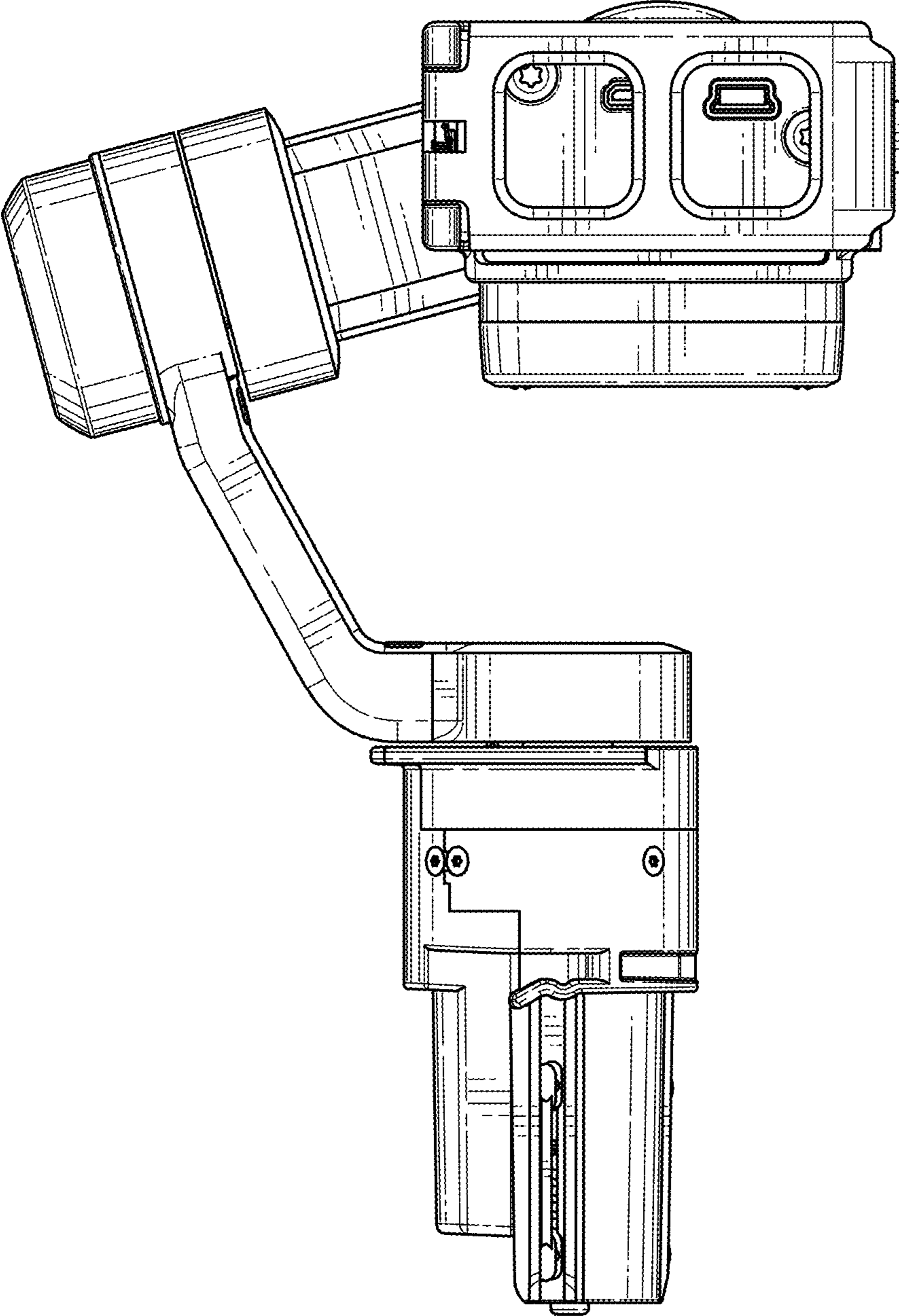


FIG. 8

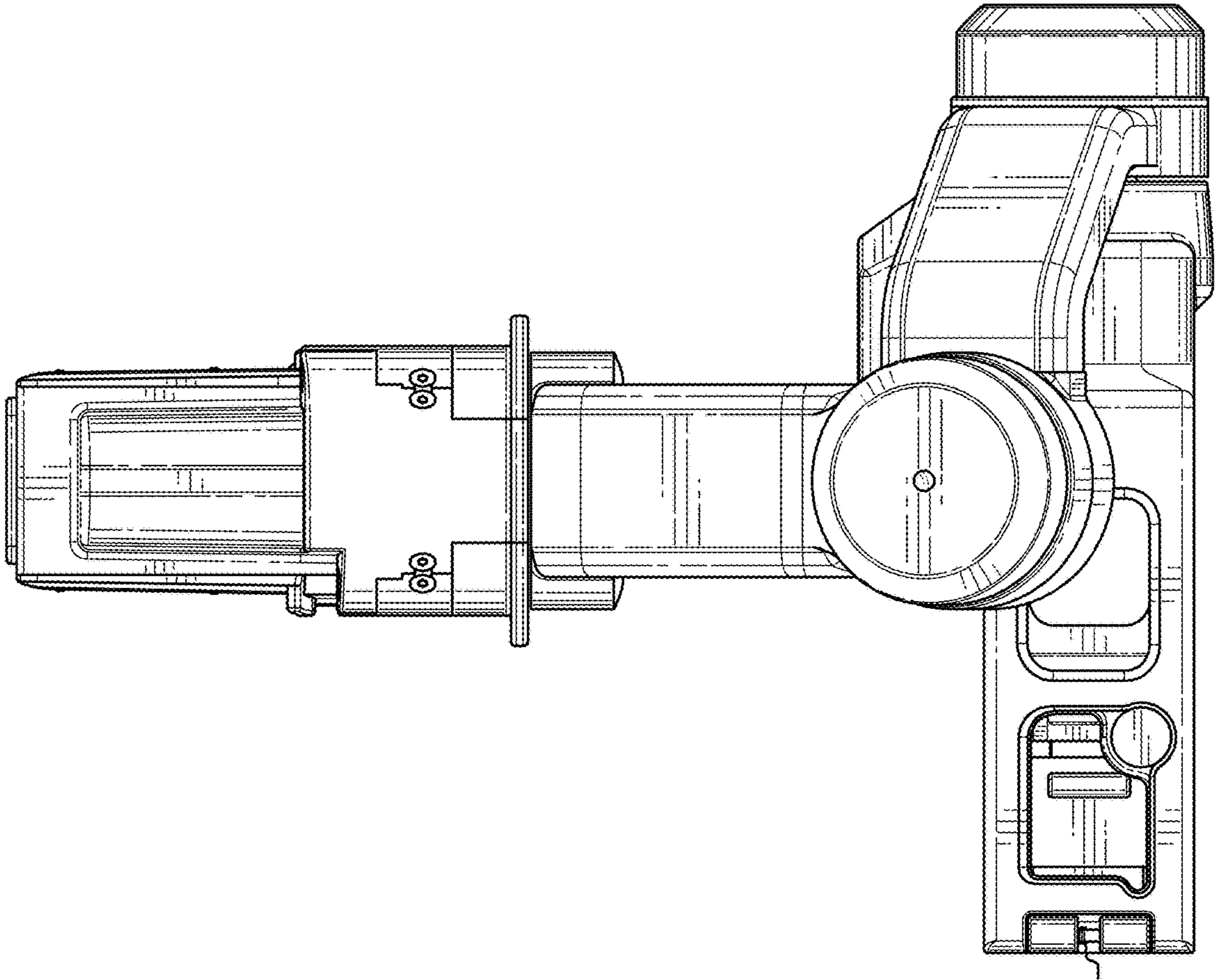


FIG. 9

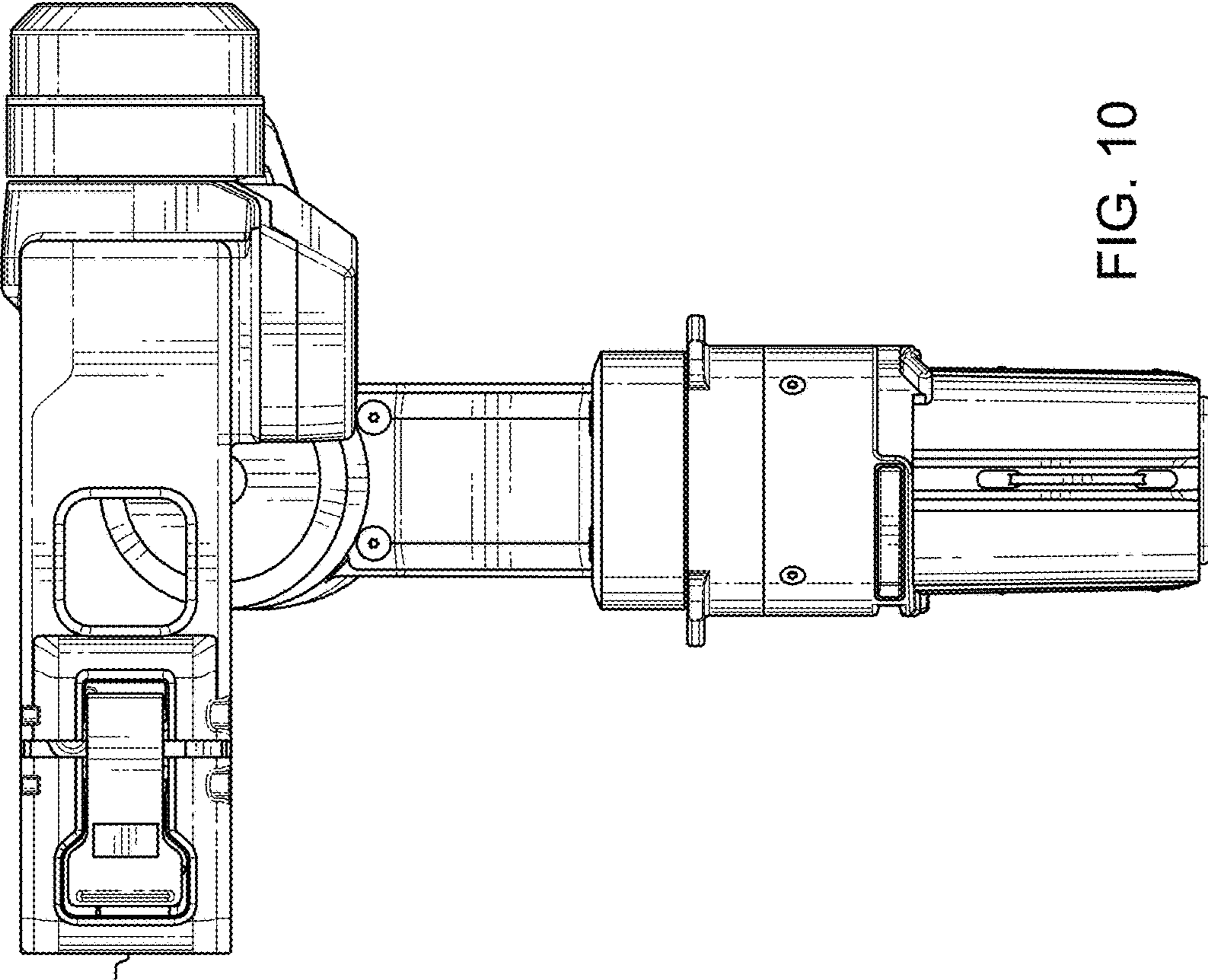


FIG. 10