



US00D783078S

(12) **United States Design Patent**  
**Kim et al.**

(10) **Patent No.:** **US D783,078 S**

(45) **Date of Patent:** **\*\* Apr. 4, 2017**

(54) **INTERCHANGEABLE LENS FOR CAMERA**

(71) Applicant: **SAMYANG OPTICS CO., LTD.**,  
Gyeongsangnam-do (KR)

(72) Inventors: **Dal Gyu Kim**, Gyeongsangnam-do  
(KR); **Eun Jin Kim**,  
Gyeongsangnam-do (KR)

(73) Assignee: **Samyang Optics Co., Ltd.**,  
Gyeongsangnam-do (KR)

(\*\*) Term: **15 Years**

(21) Appl. No.: **29/542,482**

(22) Filed: **Oct. 14, 2015**

(30) **Foreign Application Priority Data**

Sep. 3, 2015 (KR) ..... 30-2015-0044662

(51) **LOC (10) Cl.** ..... **16-05**

(52) **U.S. Cl.**  
USPC ..... **D16/219**

(58) **Field of Classification Search**  
USPC ..... D16/200, 210, 211, 218, 219, 202–206,  
D16/208, 201, 217; D9/414, 418, 427,  
D9/430, 432; D6/517, 524, 527, 528,  
D6/531, 535, 559; D14/174, 194, 204,  
D14/221; 348/148, 372–376; 396/529,  
396/535, 539–541

CPC ..... G03B 15/03; G03B 17/02; G03B 17/04;  
G03B 17/56; G03B 19/04; G03B 1/00;  
G03B 7/00; G03B 13/02; G03B 13/04;  
G03B 13/1963; H04N 5/2251; H04N  
5/2252; H04N 5/2253; H04N 5/2254

See application file for complete search history.

(56) **References Cited**

**U.S. PATENT DOCUMENTS**

D412,922 S \* 8/1999 Sekine ..... D16/134  
D433,044 S \* 10/2000 Nagaoka ..... D16/134

D441,382 S \* 5/2001 Konno ..... D16/134  
D449,322 S \* 10/2001 Ono ..... D16/134  
D575,319 S \* 8/2008 Tajima ..... D16/134  
D583,847 S \* 12/2008 Watanabe ..... D16/134  
D684,208 S \* 6/2013 Lee ..... D16/219  
D696,709 S \* 12/2013 Sato ..... D16/219  
D718,361 S \* 11/2014 Noh ..... D16/219  
D724,644 S \* 3/2015 Tainaka ..... D16/219  
D726,239 S \* 4/2015 So ..... D16/219  
D737,357 S \* 8/2015 Park ..... D16/219  
D737,358 S \* 8/2015 Park ..... D16/219  
D737,359 S \* 8/2015 Jung ..... D16/219  
D737,360 S \* 8/2015 Jung ..... D16/219  
D743,471 S \* 11/2015 Oh ..... D16/134  
D744,025 S \* 11/2015 Oh ..... D16/134  
D745,590 S \* 12/2015 Oh ..... D16/134  
D754,236 S \* 4/2016 Oh ..... D16/134

(Continued)

*Primary Examiner* — Robin V Webster

*Assistant Examiner* — Rachel Voorhies

(74) *Attorney, Agent, or Firm* — SoCal IP Law Group  
LLP; M. Kala Sarvaiya; Steven C. Sereboff

(57) **CLAIM**

The ornamental design for the interchangeable lens for camera, as shown and described.

**DESCRIPTION**

FIG. 1 is a perspective view of the interchangeable lens for camera.

FIG. 2 is a front view thereof;

FIG. 3 is a rear view thereof;

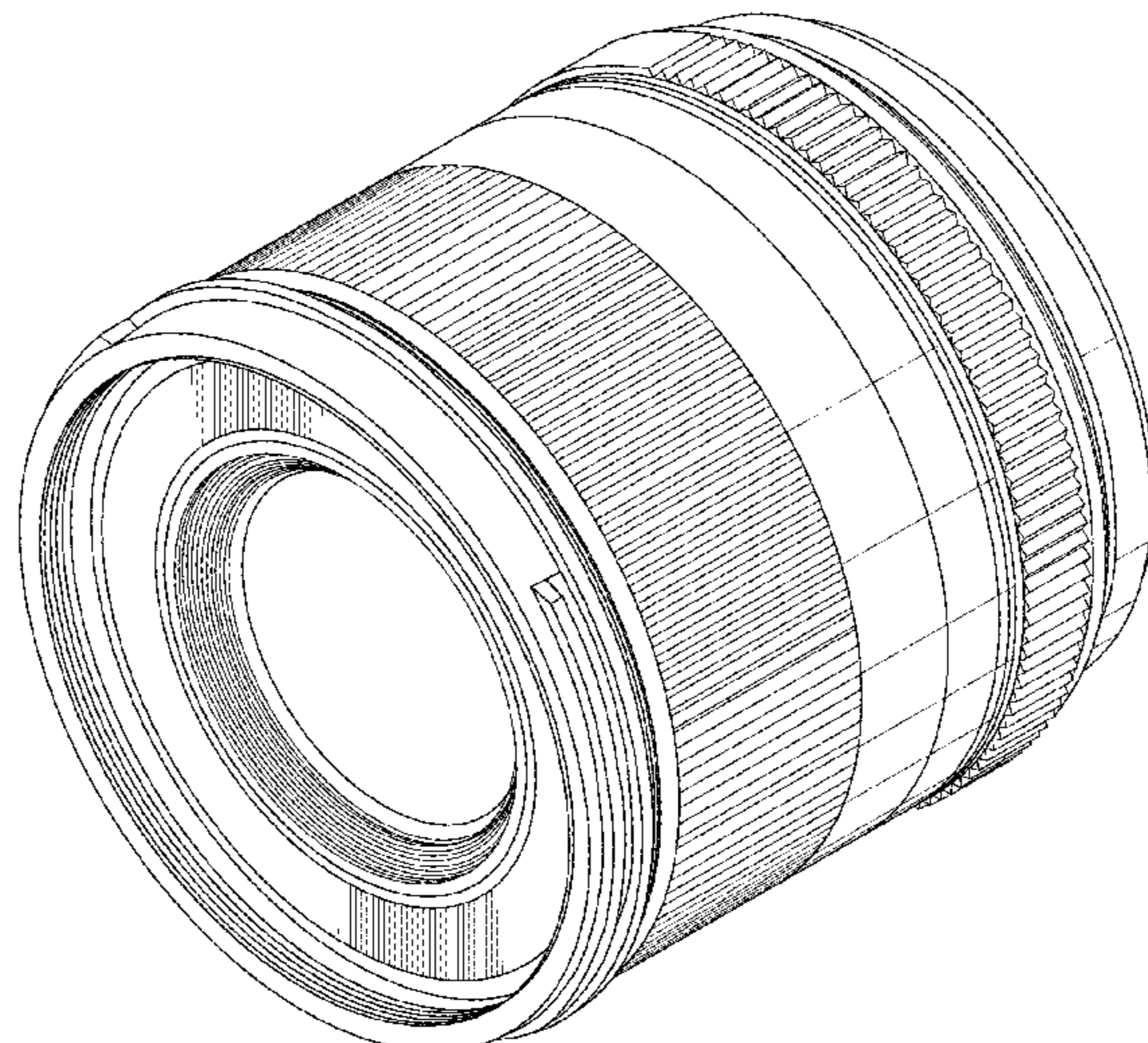
FIG. 4 is a left side view thereof;

FIG. 5 is a right side view thereof;

FIG. 6 is a top plan view thereof; and,

FIG. 7 is a bottom view thereof.

**1 Claim, 7 Drawing Sheets**



(56)

**References Cited**

U.S. PATENT DOCUMENTS

2005/0031338 A1\* 2/2005 Koyama ..... G03B 17/14  
396/531  
2013/0028590 A1\* 1/2013 Hasuda ..... G03B 17/14  
396/530  
2014/0211083 A1\* 7/2014 Wakikawa ..... H04N 5/2254  
348/373  
2015/0286111 A1\* 10/2015 Lenhof ..... G03B 13/34  
348/357  
2016/0006923 A1\* 1/2016 Imamura ..... H04N 5/23209  
348/208.11

\* cited by examiner

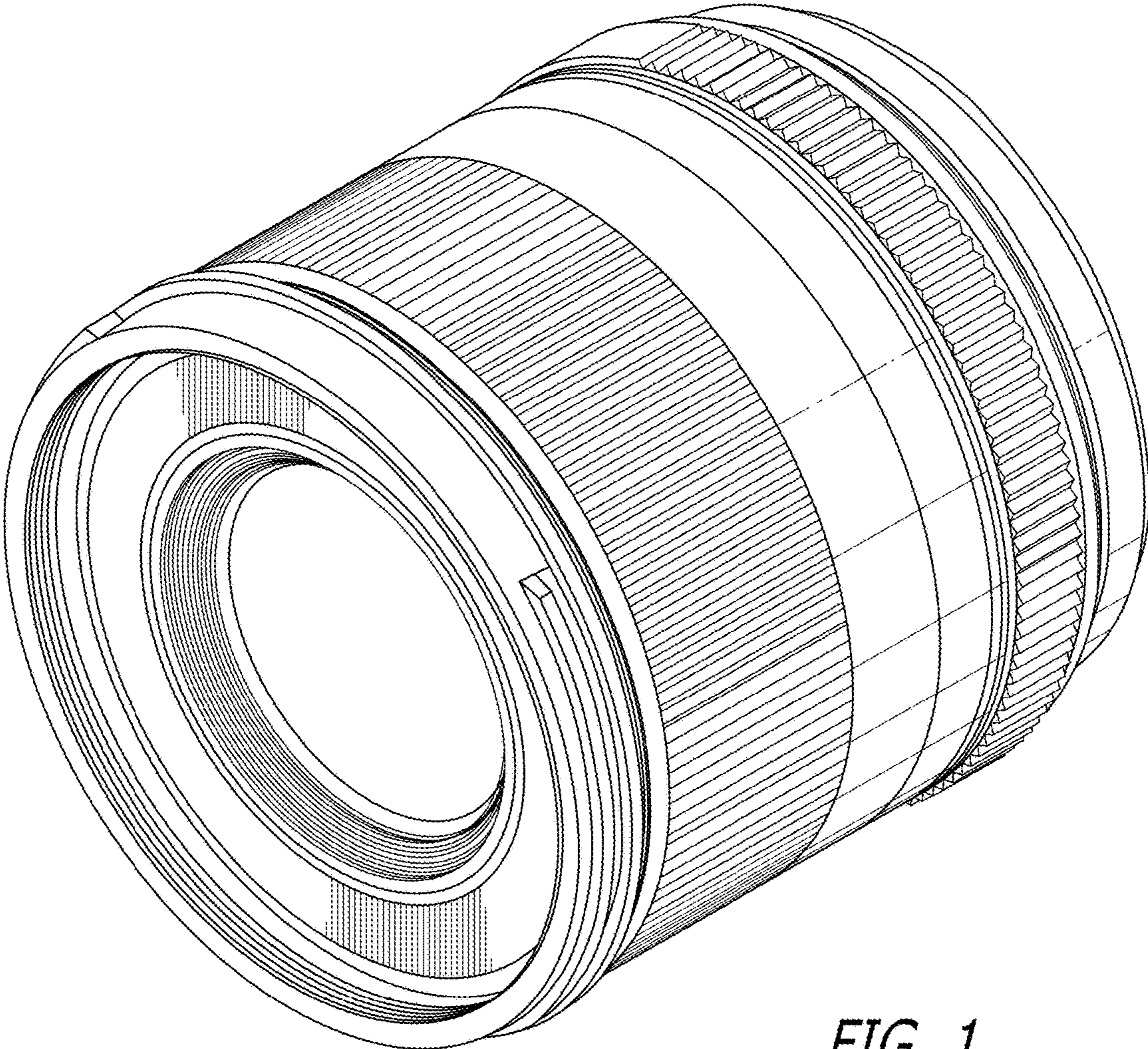
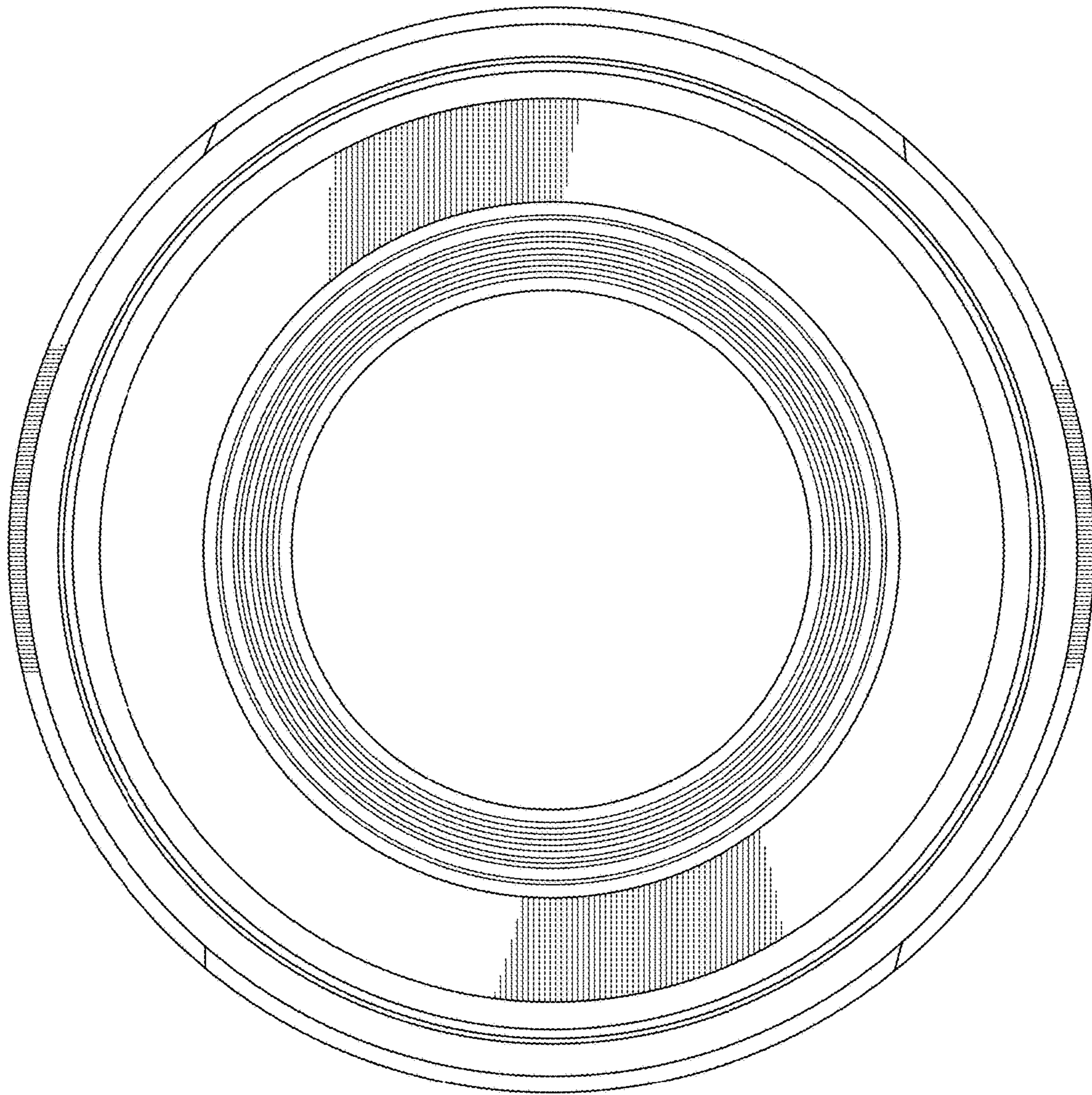


FIG. 1



*FIG. 2*

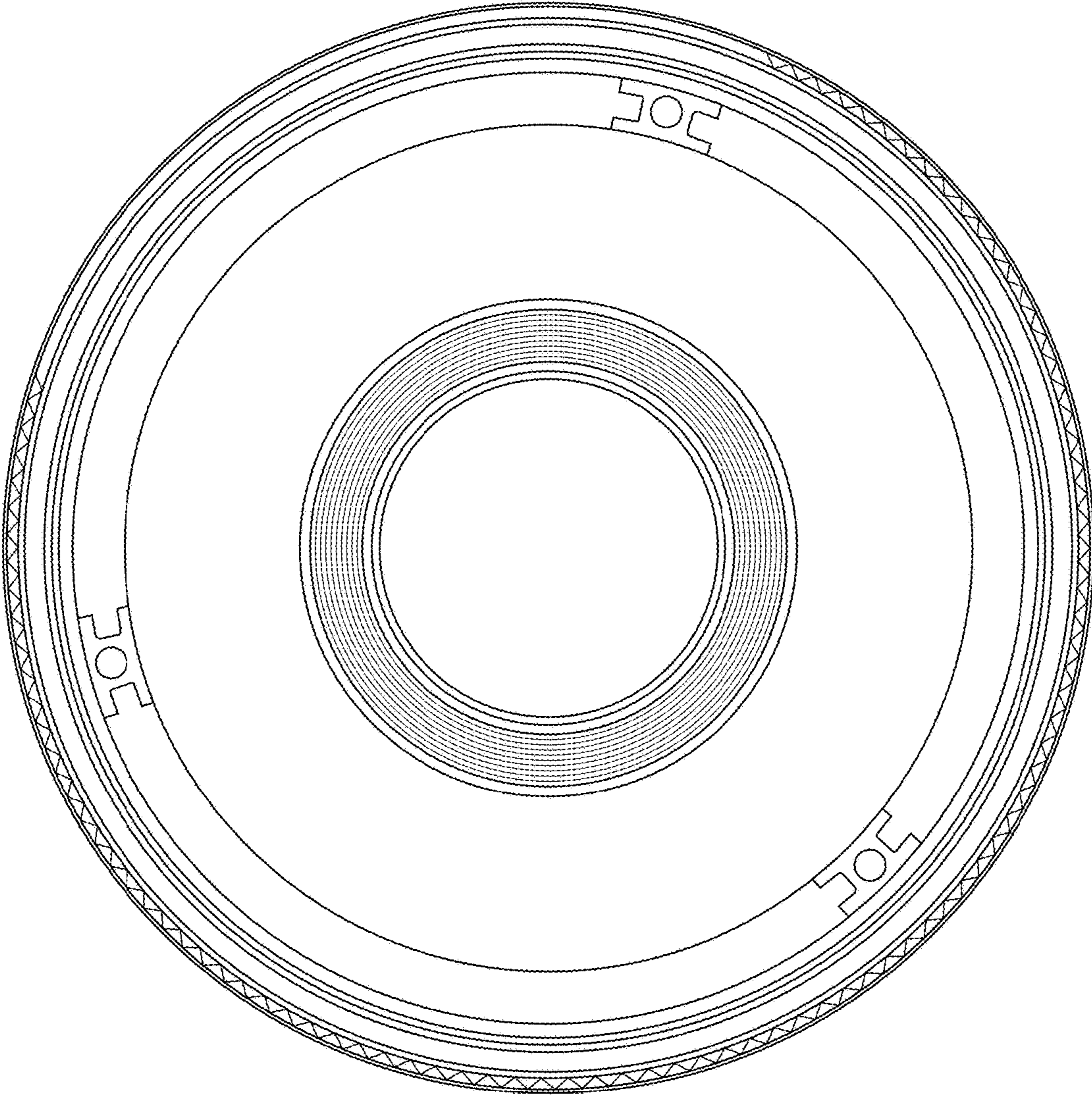


FIG. 3

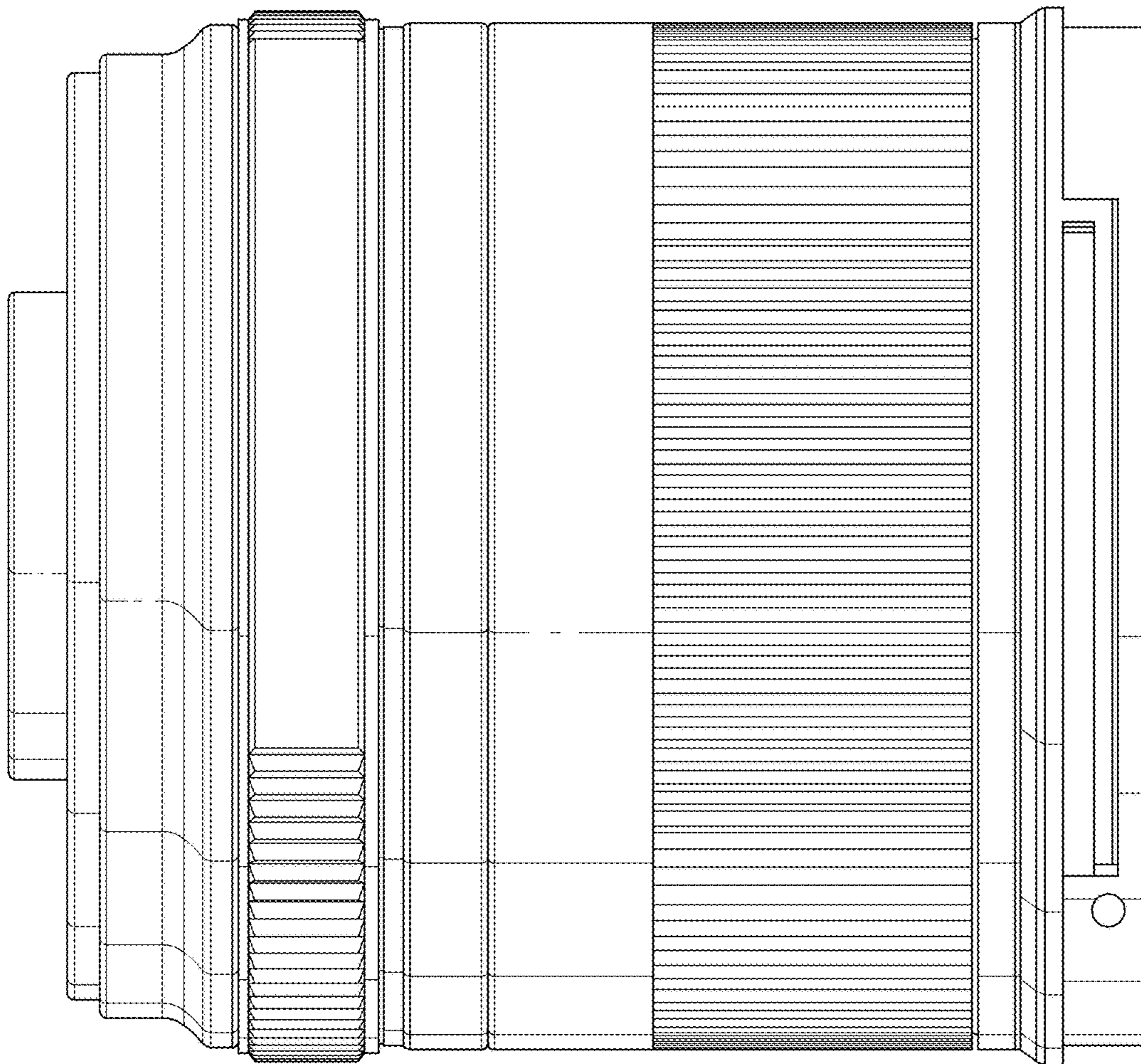


FIG. 4

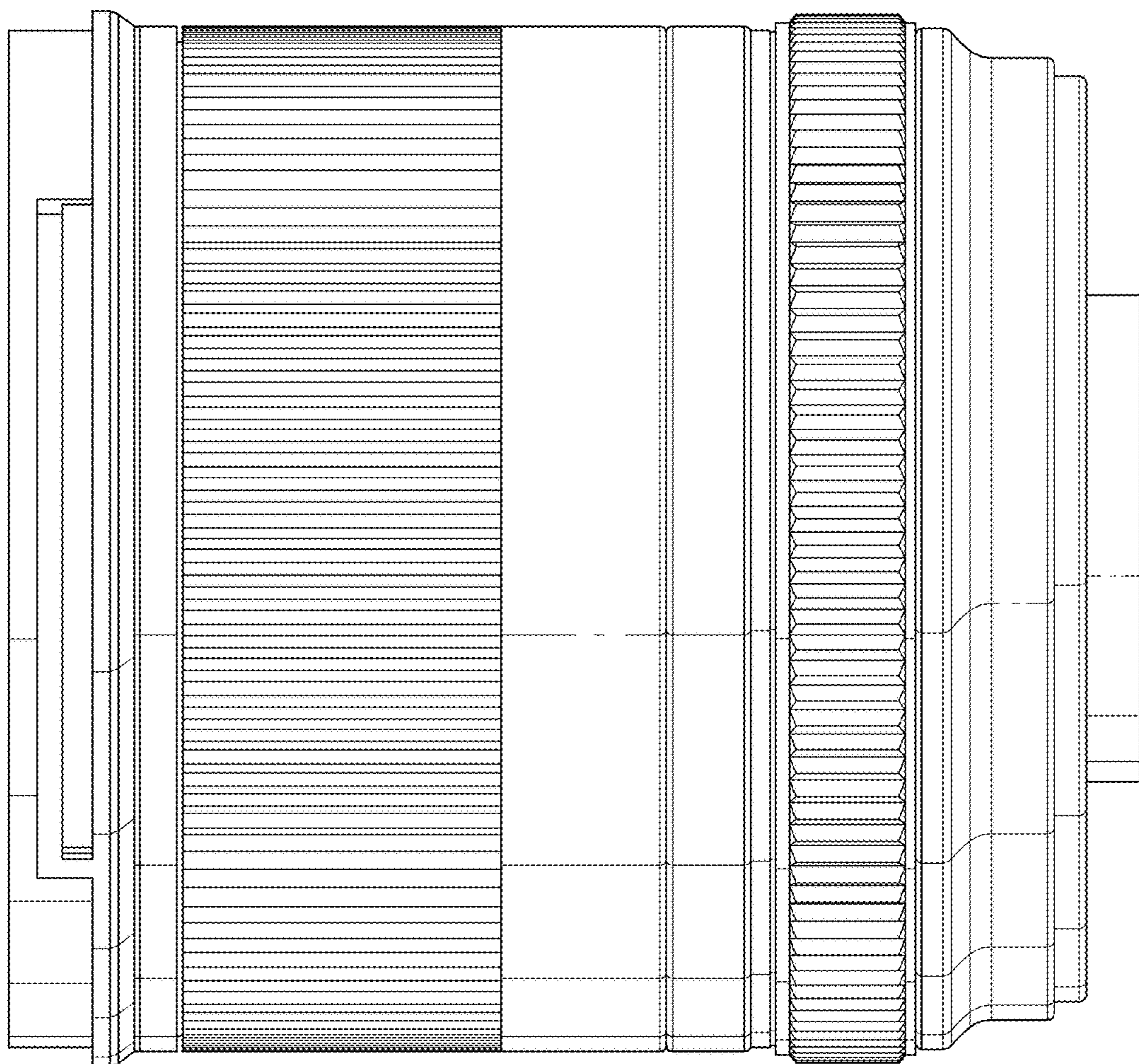


FIG. 5

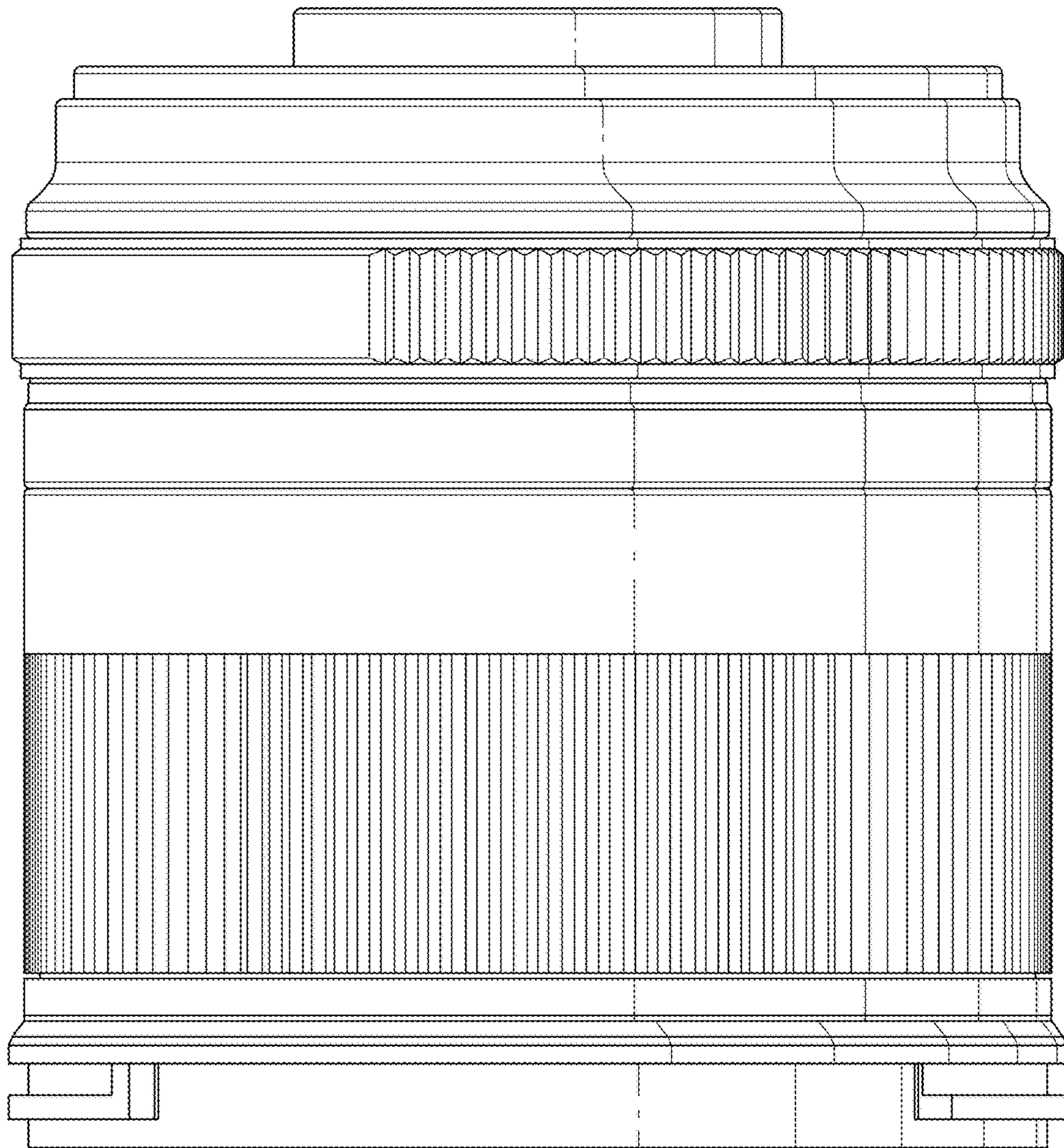


FIG. 6



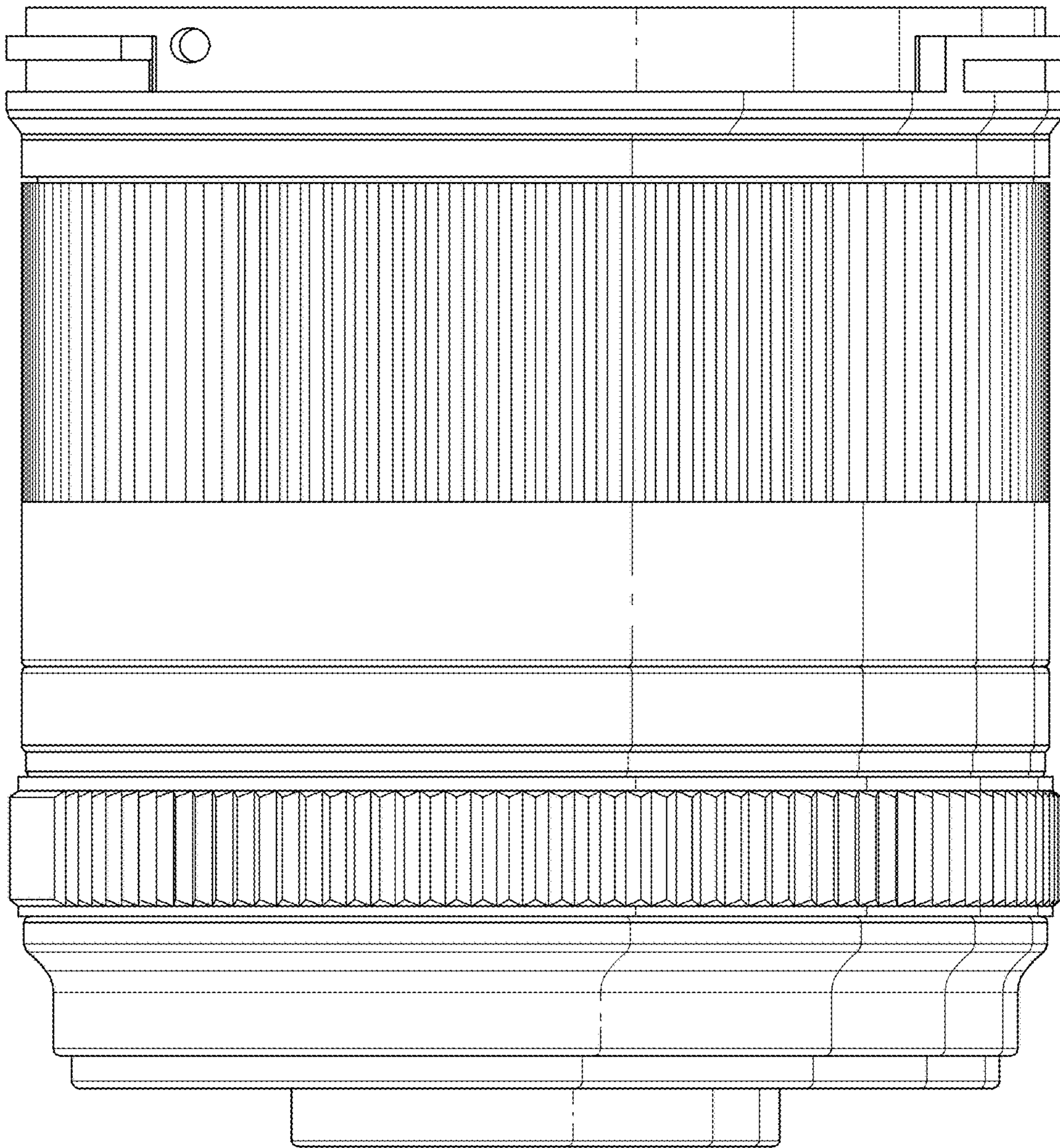


FIG. 7