



US00D783077S

(12) **United States Design Patent** (10) **Patent No.:** **US D783,077 S**  
**Lee et al.** (45) **Date of Patent:** **\*\* Apr. 4, 2017**

(54) **VIBRATION ARRESTOR FOR COMPACT CAMERA**

(71) Applicant: **LG ELECTRONICS INC.**, Seoul (KR)

(72) Inventors: **Hophil Lee**, Seoul (KR); **Euiseok Lee**, Seoul (KR); **Jaoboem Im**, Seoul (KR); **Seunghee Ha**, Seoul (KR)

(73) Assignee: **LG ELECTRONICS INC.**, Seoul (KR)

(\*\*) Term: **15 Years**

(21) Appl. No.: **29/539,499**

(22) Filed: **Sep. 15, 2015**

(30) **Foreign Application Priority Data**

Mar. 16, 2015 (KR) ..... 30-2015-0013196

(51) **LOC (10) Cl.** ..... **16-05**

(52) **U.S. Cl.**  
USPC ..... **D16/219**

(58) **Field of Classification Search**  
USPC ..... D16/219, 205–206, 237, 242–243, 200, D16/208, 134, 202, 204, 218; 396/55, 396/176, 241, 275, 534–541; 348/373, 348/374–376; 358/909.1

CPC ..... G03B 17/561; G03B 17/02; G03B 11/04; G03B 11/045; G03B 2217/00–2217/002

See application file for complete search history.

(56) **References Cited**

**U.S. PATENT DOCUMENTS**

5,266,988 A \* 11/1993 Washisu ..... B82Y 15/00 396/13  
6,260,971 B1 \* 7/2001 Cardellini ..... F16M 11/04 248/177.1

D447,549 S \* 9/2001 Gieseke ..... D23/365  
7,202,903 B2 \* 4/2007 Lin ..... F16M 13/02 248/177.1  
7,387,453 B2 \* 6/2008 Arbuckle ..... F16M 11/10 348/143  
D575,321 S \* 8/2008 van Kuijk ..... D16/235  
7,985,030 B1 \* 7/2011 Chou ..... G03B 37/02 248/187.1  
D659,177 S \* 5/2012 Chan ..... D16/242  
D756,504 S \* 5/2016 Sonderegger ..... D24/108  
2008/0145046 A1 \* 6/2008 Ho ..... G03B 13/18 396/428  
2008/0187301 A1 \* 8/2008 Takahashi ..... G03B 5/00 396/55  
2009/0060485 A1 \* 3/2009 Takahashi ..... G03B 5/00 396/55

(Continued)

*Primary Examiner* — Robin V Webster

*Assistant Examiner* — Rachel Voorhies

(74) *Attorney, Agent, or Firm* — KED & Associates, LLP

(57) **CLAIM**

The ornamental design for a vibration arrestor for compact camera, as shown and described.

**DESCRIPTION**

FIG. 1 is a front, right side, perspective view of as vibration arrestor for compact camera showing our new design;

FIG. 2 is a front view thereof;

FIG. 3 is a rear view thereof;

FIG. 4 is a left side view thereof;

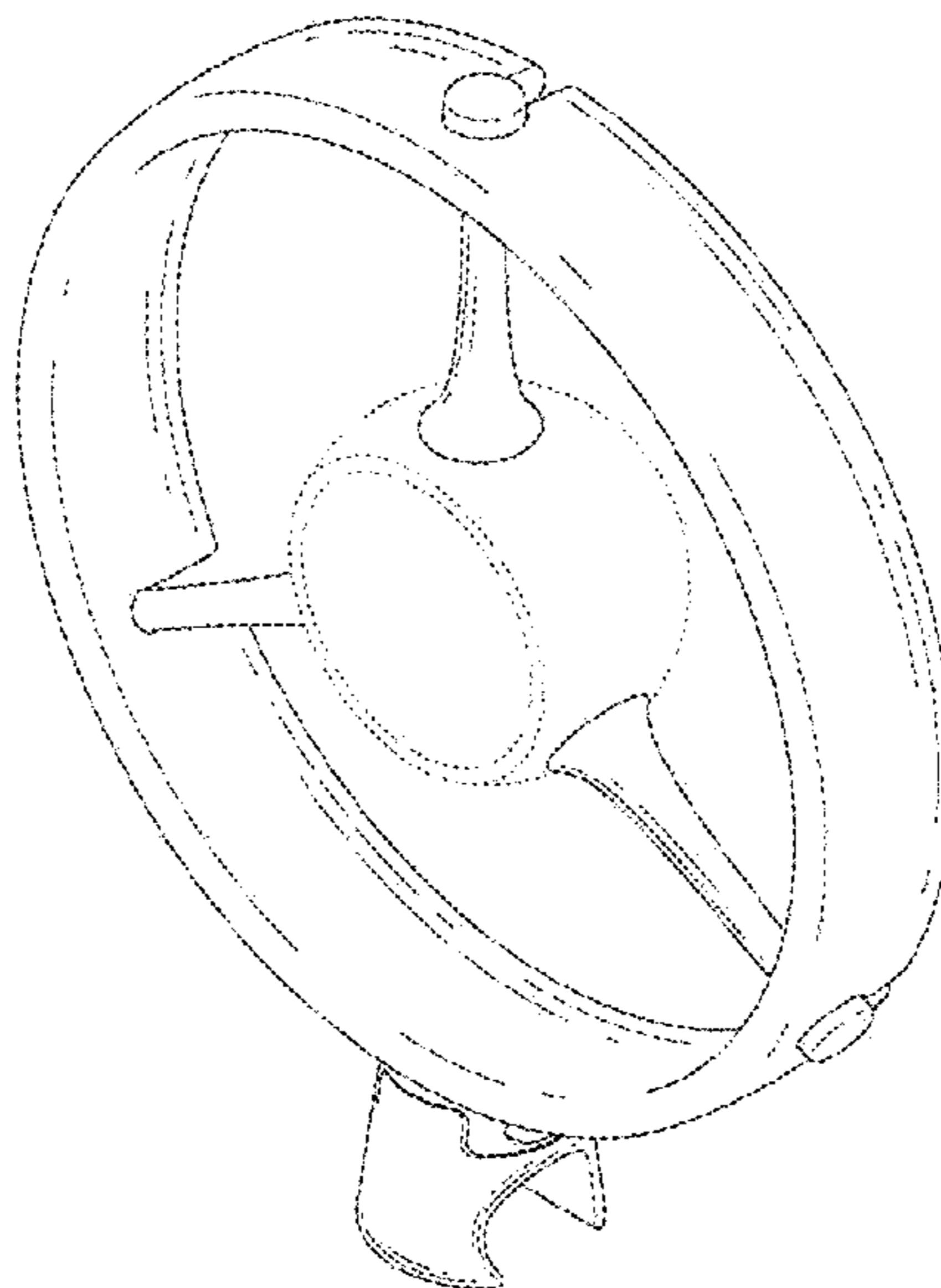
FIG. 5 is a right side view thereof;

FIG. 6 is a top view thereof; and,

FIG. 7 is a bottom view thereof.

The broken lines illustrate portions of the vibration arrestor for compact camera which form no part of the claimed design.

**1 Claim, 6 Drawing Sheets**



(56)

**References Cited**

U.S. PATENT DOCUMENTS

2009/0080875 A1\* 3/2009 Ishikawa ..... G02B 27/646  
396/55  
2010/0150545 A1\* 6/2010 Imai ..... G02B 7/102  
396/535  
2010/0178044 A1\* 7/2010 Ohno ..... G03B 5/00  
396/55  
2012/0155843 A1\* 6/2012 Takizawa ..... G03B 5/00  
396/55  
2013/0223829 A1\* 8/2013 Nakayama ..... H02K 5/04  
396/55  
2013/0223833 A1\* 8/2013 Tenenbaum ..... G03B 17/02  
396/419  
2014/0119717 A1\* 5/2014 Yasuda ..... G02B 27/646  
396/55  
2014/0226963 A1\* 8/2014 Ryan ..... F16M 11/041  
396/428  
2015/0078738 A1\* 3/2015 Brooke ..... G02B 27/648  
396/53  
2016/0050373 A1\* 2/2016 Nakamura ..... H04N 5/2254  
348/208.11  
2016/0083110 A1\* 3/2016 Pan ..... G03B 17/561  
348/144  
2016/0105592 A1\* 4/2016 Dispenza ..... H04N 5/2251  
348/373

\* cited by examiner

FIG. 1

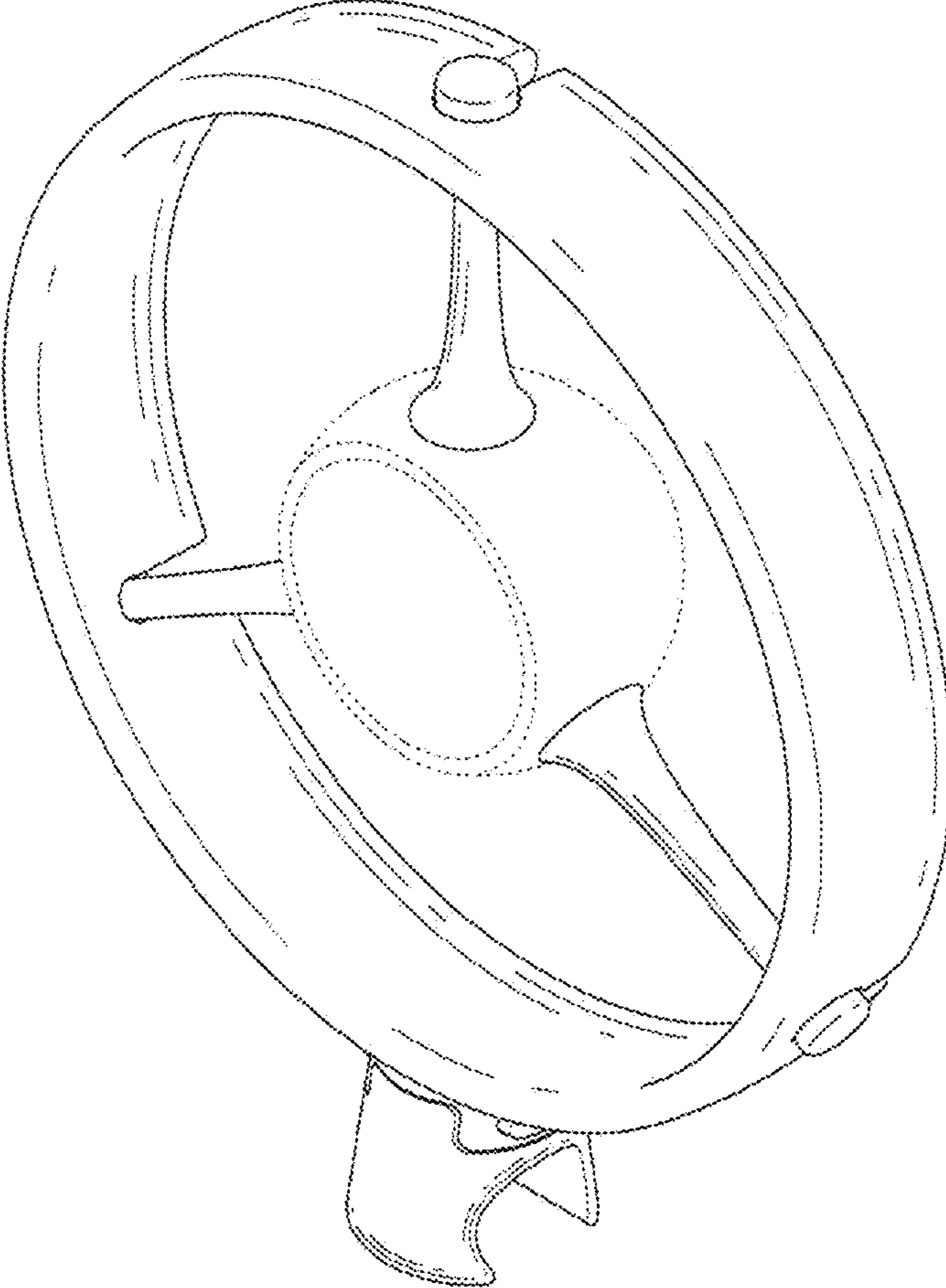


FIG. 2

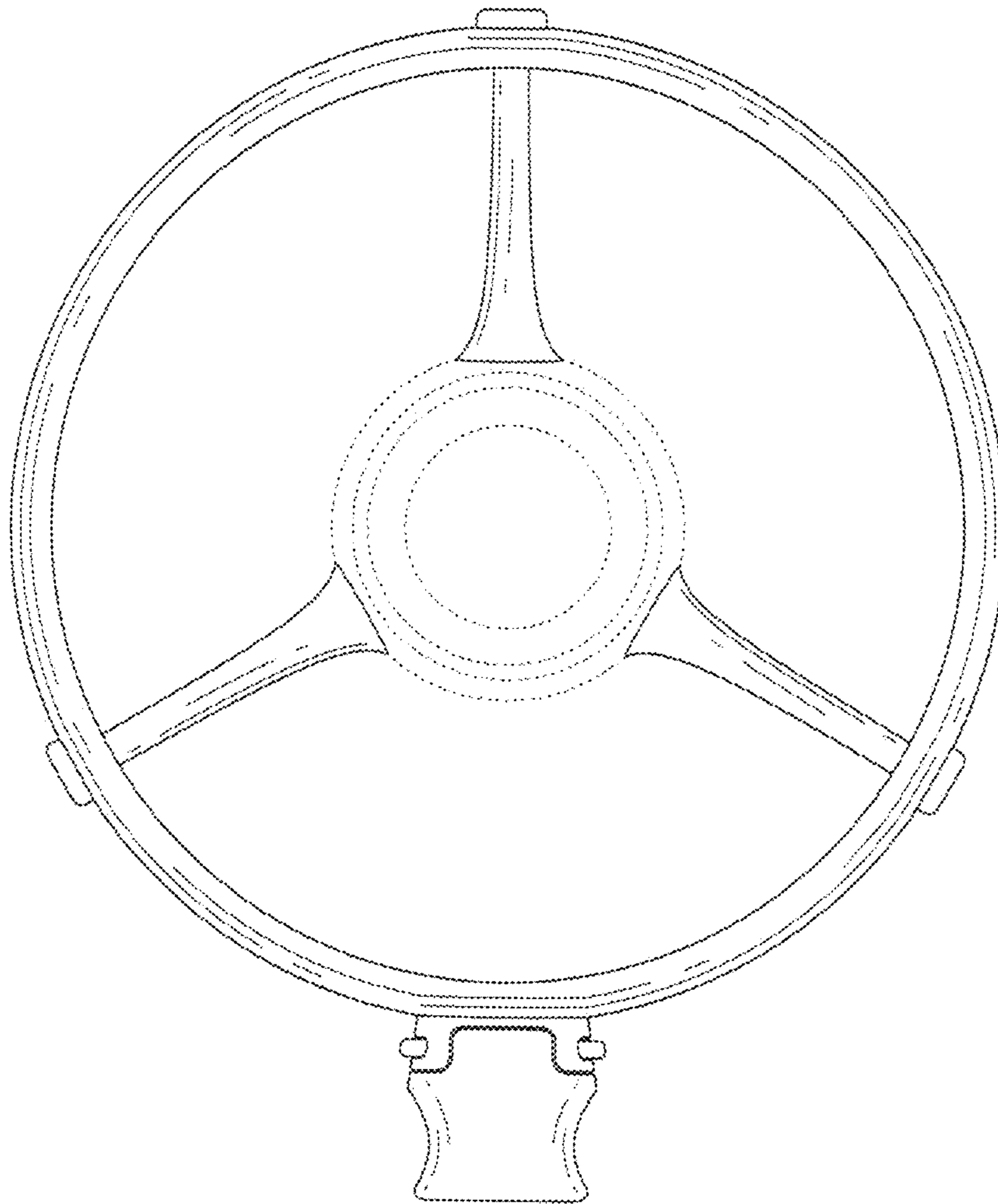


FIG. 3

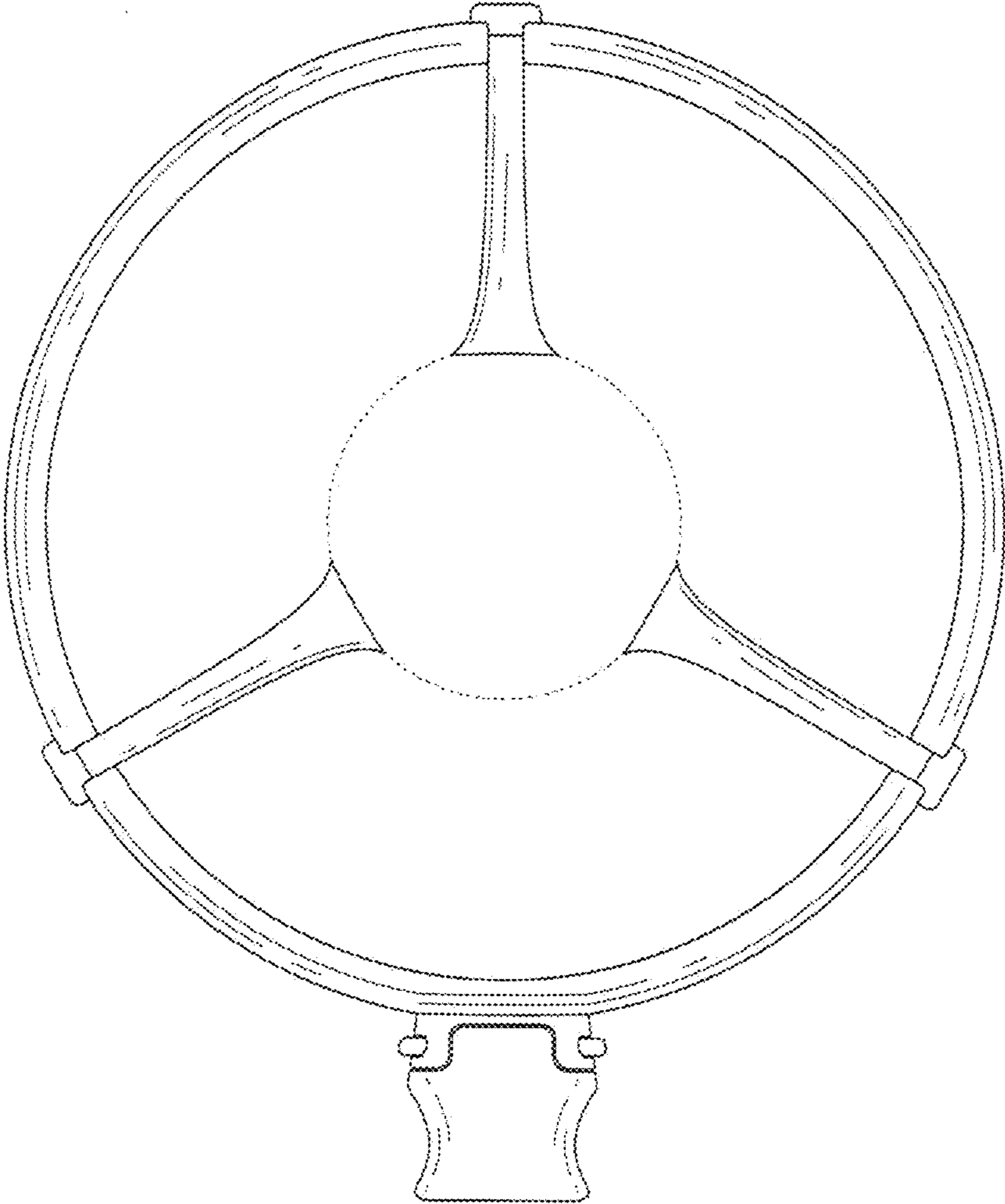


FIG. 4

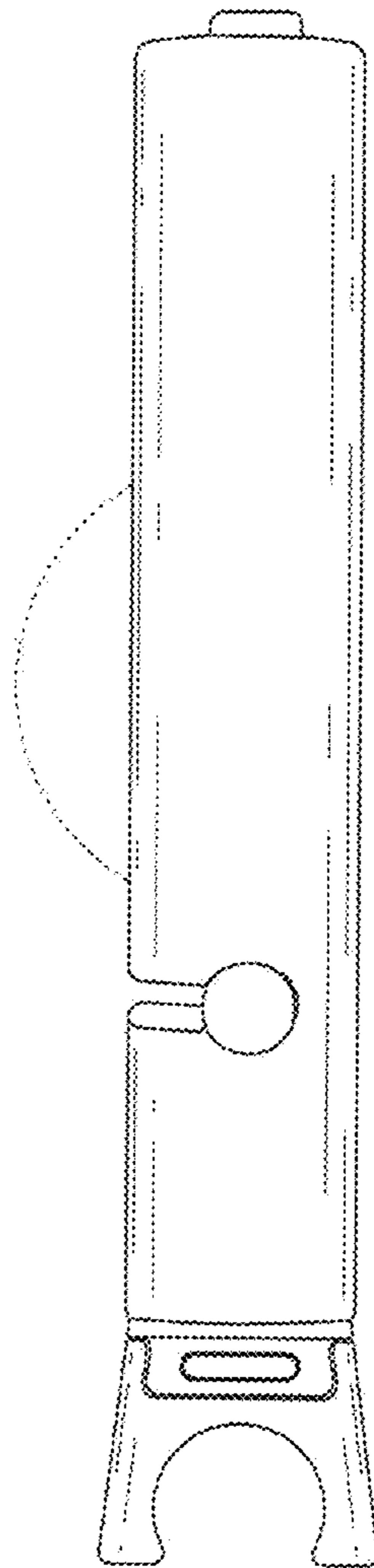


FIG. 5

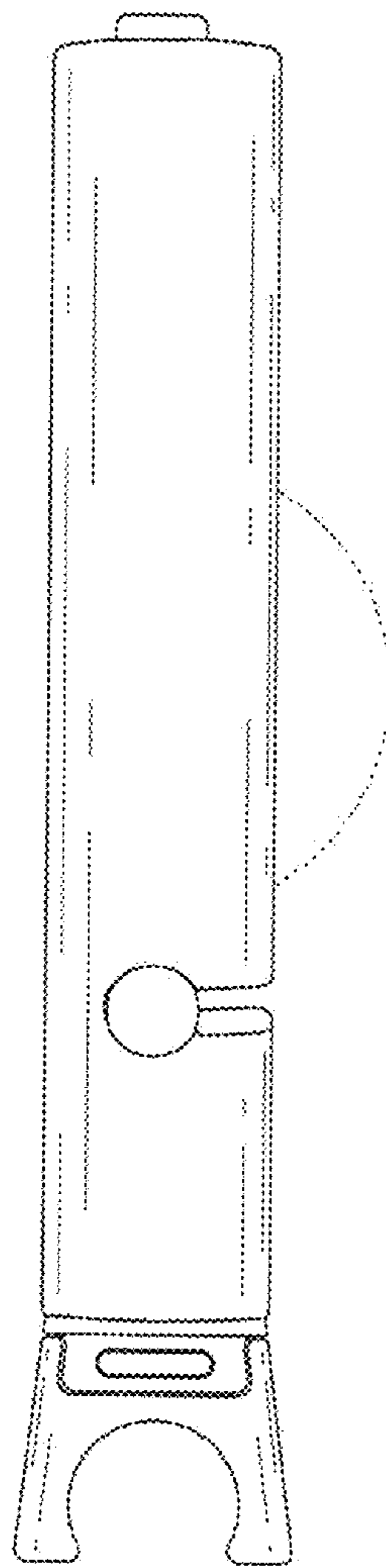


FIG. 6

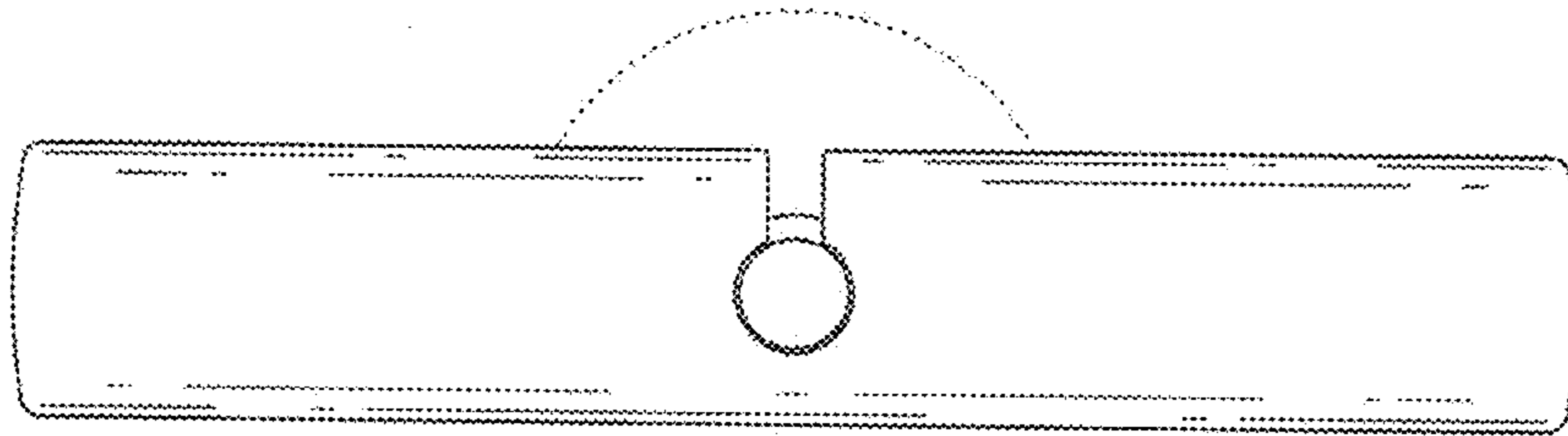


FIG. 7

