



US00D783075S

(12) **United States Design Patent** (10) **Patent No.:** **US D783,075 S**  
**Maxwell et al.** (45) **Date of Patent:** **\*\* Apr. 4, 2017**

(54) **CAMERA ASSEMBLY OF A VIDEO COMMUNICATION SET**

(71) Applicant: **Sorenson Communications, Inc.**, Salt Lake City, UT (US)

(72) Inventors: **Conrad Arlo Maxwell**, Herriman, UT (US); **Eric V. Winsor**, West Jordan, UT (US); **Mark David Nelson**, West Jordan, UT (US); **Merle L. Walker**, Sandy, UT (US); **Brent C. Giles**, Salt Lake City, UT (US); **Elie M. Monge**, San Francisco, CA (US); **Sean P. Murphy**, San Francisco, CA (US); **Shannon C. Fong**, San Francisco, CA (US); **Alice Viola Pintus**, Milan (IT); **Thomas M. Dair**, Lafayette, CA (US)

(73) Assignee: **SORENSEN IP HOLDINGS, LLC**, Salt Lake City, UT (US)

(\*\*) Term: **15 Years**

(21) Appl. No.: **29/565,057**

(22) Filed: **May 17, 2016**

**Related U.S. Application Data**

(62) Division of application No. 29/518,645, filed on Feb. 25, 2015, now Pat. No. Des. 759,621.

(51) **LOC (10) Cl.** ..... **16-01**

(52) **U.S. Cl.**  
USPC ..... **D16/202**

(58) **Field of Classification Search**  
USPC ... D14/125, 126, 129, 130, 140, 140.2, 142, D14/144, 145, 148, 149, 151, 240, 248,

(Continued)

(56) **References Cited**

**U.S. PATENT DOCUMENTS**

D421,619 S 3/2000 Eto et al.  
D487,262 S \* 3/2004 van Engelen ..... D14/240

(Continued)

*Primary Examiner* — Susan Bennett Hattan

*Assistant Examiner* — Marie Fast Horse

(74) *Attorney, Agent, or Firm* — TraskBritt

(57) **CLAIM**

The ornamental design for a camera assembly of a video communication set, substantially as shown and described.

**DESCRIPTION**

FIG. 1 is a perspective view of a camera assembly of a video communication set showing our new design.

FIG. 2 is a front view of the camera assembly of the video communication set of FIG. 1.

FIG. 3 is a back view of the camera assembly of the video communication set of FIG. 1.

FIG. 4 is a left side view of the camera assembly of the video communication set of FIG. 1.

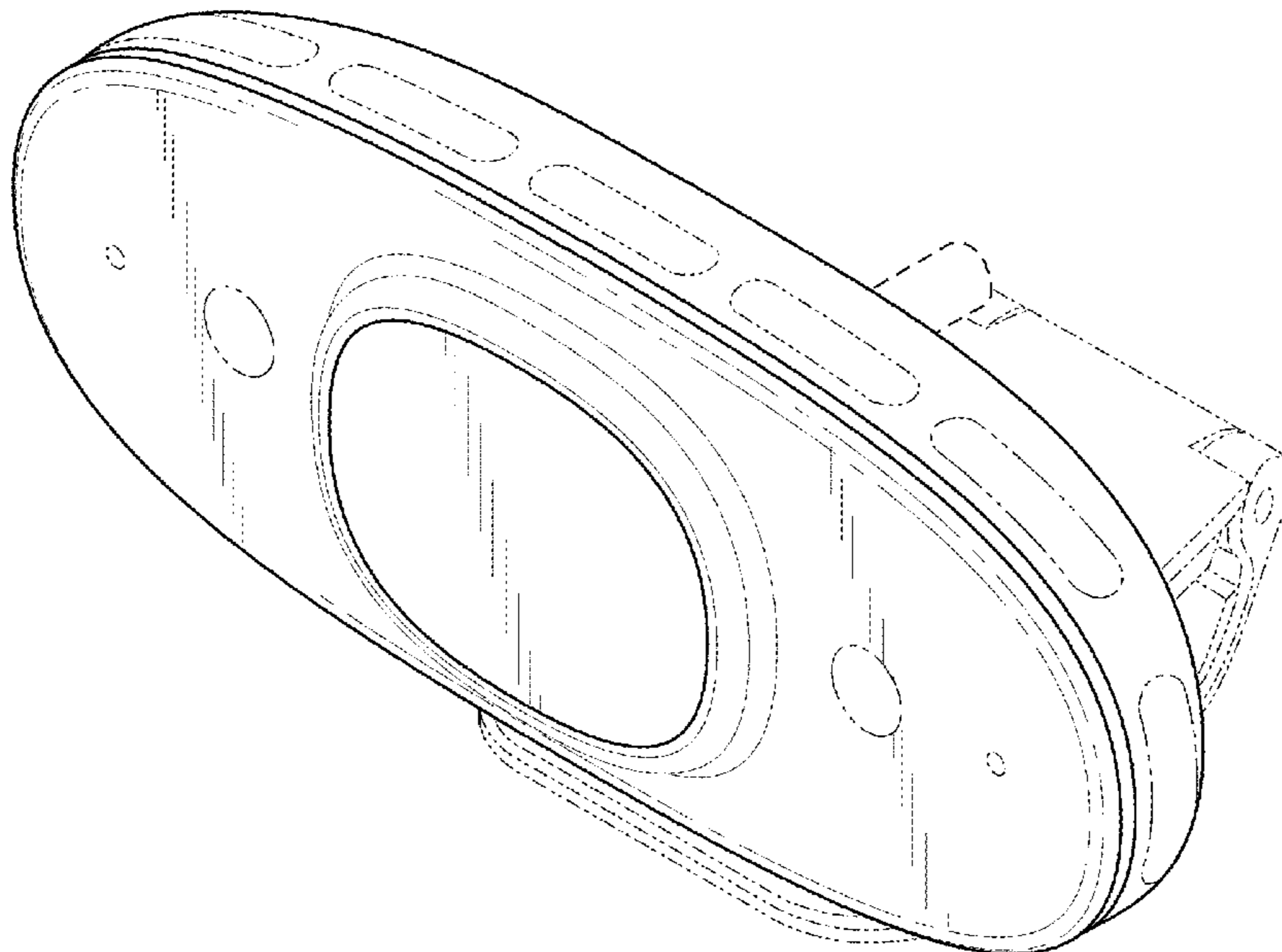
FIG. 5 is a right side view of the camera assembly of the video communication set of FIG. 1.

FIG. 6 is a top view of the camera assembly of the video communication set of FIG. 1; and,

FIG. 7 is a bottom view of the camera assembly of the video communication set of FIG. 1.

The broken lines in the drawings consisting of uniform large dashes showing a connecting cord depict environment only and form no part of the claimed design; the broken lines consisting of a long dash and two short dashes depict portions of the camera assembly of a video communication set that form no part of the claim.

**1 Claim, 4 Drawing Sheets**



(58) **Field of Classification Search**

USPC ..... D14/300, 301, 314, 341, 356–358, 362,  
 D14/365, 383–388, 467, 502; D24/127,  
 D24/128, 158, 160, 161, 185, 186;  
 D16/202, 203, 208, 241, 242; D13/107,  
 D13/108  
 CPC ..... H04M 1/274525; H04M 1/27455; H04M  
 1/02; H04M 1/0202; H04M 1/0264;  
 H04M 1/0266; H04M 1/0295; H04M  
 1/72527; H04M 2201/50; H04M 2250/20;  
 H04N 1/00106; H04N 1/00302; H04N  
 1/00305; H04N 1/00307; H04N  
 2007/145; H04N 5/2253; H04N 7/14;  
 H04N 7/142

See application file for complete search history.

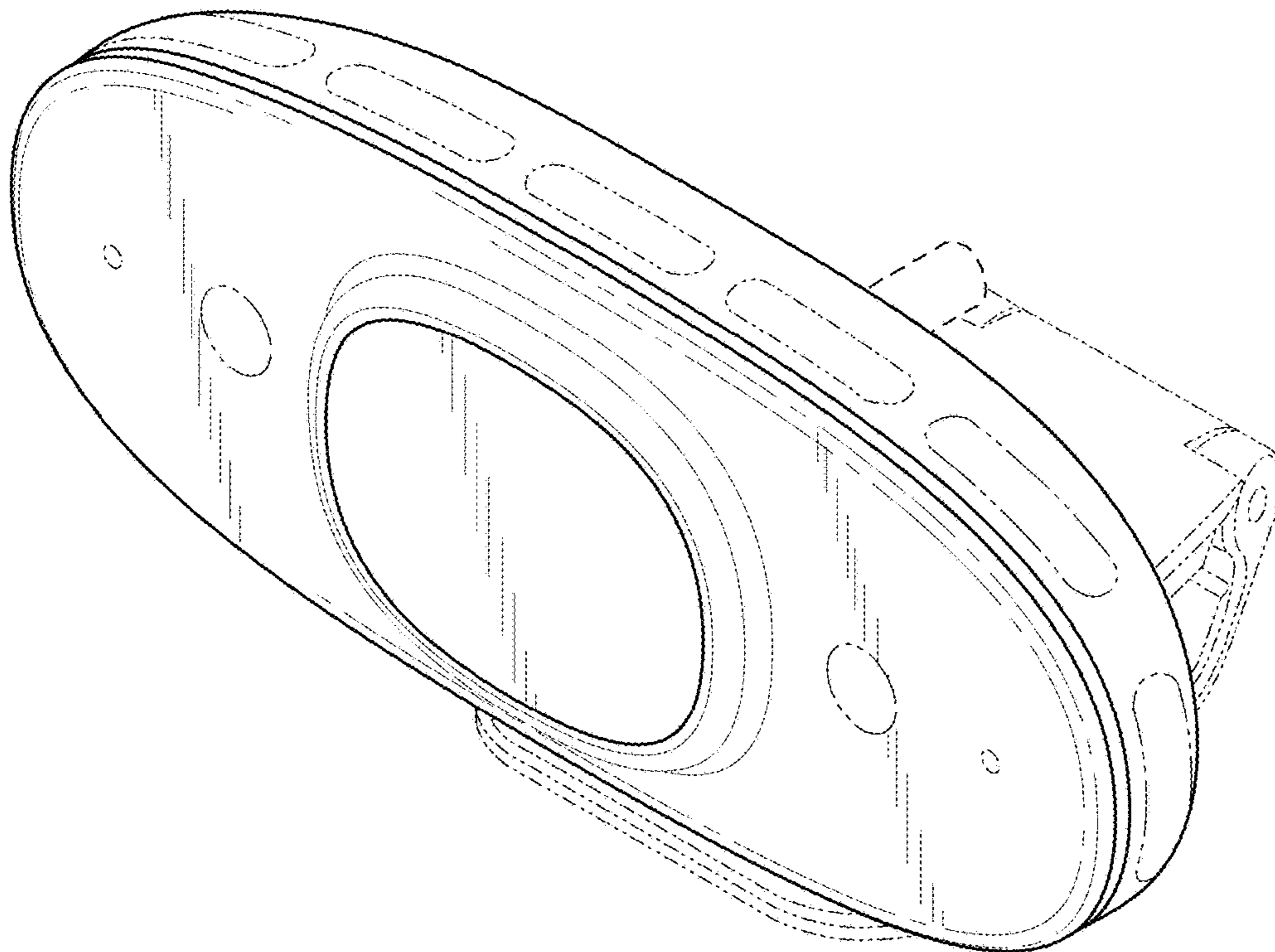
(56) **References Cited**

U.S. PATENT DOCUMENTS

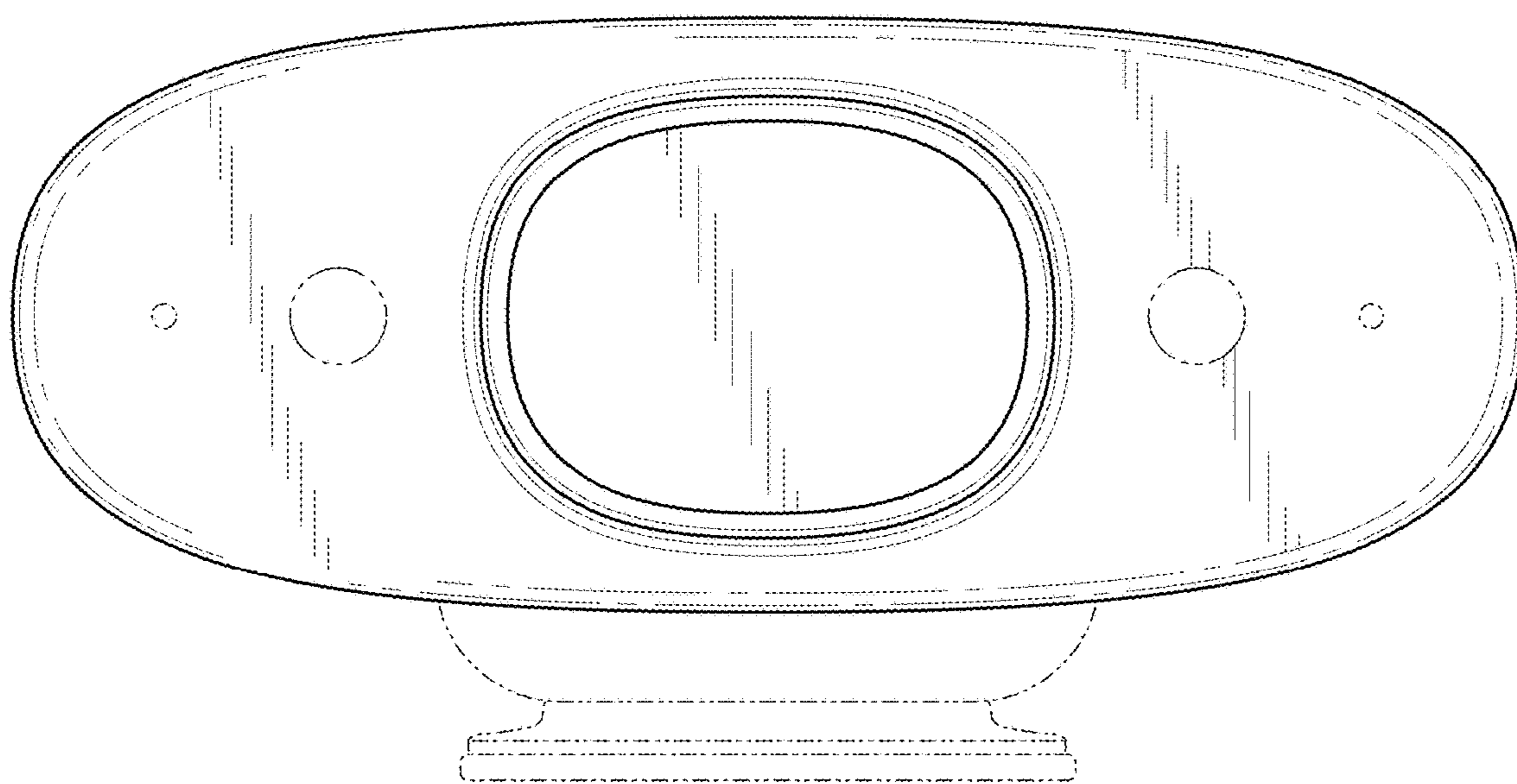
D534,509 S 1/2007 Rashid  
 D548,763 S 8/2007 Boris  
 D552,053 S \* 10/2007 Kim ..... D14/168  
 D576,581 S \* 9/2008 Son ..... D14/502  
 D585,395 S 1/2009 Cho et al.  
 D595,736 S 7/2009 Son et al.  
 D600,730 S 9/2009 Su  
 D611,408 S 3/2010 Ferber et al.  
 7,736,071 B2 6/2010 Wahl et al.  
 D620,514 S \* 7/2010 Kim ..... D16/208  
 D626,099 S 10/2010 Huang  
 D627,813 S 11/2010 Chen et al.  
 D627,815 S \* 11/2010 Oba ..... D16/202  
 D629,031 S 12/2010 Su et al.  
 D630,505 S 1/2011 Westemeyer et al.  
 D631,079 S 1/2011 Tzeng  
 D631,497 S 1/2011 Han et al.  
 D632,719 S 2/2011 Tsai  
 D635,940 S 4/2011 Cho et al.  
 D636,371 S 4/2011 Spielvogel et al.  
 D637,951 S 5/2011 Perez  
 D638,426 S \* 5/2011 Ikeda ..... D14/240  
 D640,692 S 6/2011 Waisman-Diamond  
 D641,388 S 7/2011 Shih et al.  
 D641,770 S 7/2011 Hoehn et al.  
 D644,222 S 8/2011 Woo et al.

D645,466 S 9/2011 Woo et al.  
 D647,866 S 11/2011 Chen  
 D649,945 S 12/2011 Kim et al.  
 D649,946 S 12/2011 Do et al.  
 D651,229 S 12/2011 Tan et al.  
 D651,230 S 12/2011 Tan et al.  
 D655,263 S 3/2012 Tsai  
 D659,690 S 5/2012 Huang  
 D662,532 S 6/2012 Chang  
 D664,579 S 7/2012 Tzeng  
 D665,347 S \* 8/2012 Chen ..... D13/108  
 D665,439 S 8/2012 Khamsepoor et al.  
 D671,157 S \* 11/2012 Richardson ..... D16/202  
 D675,602 S \* 2/2013 Ikeda ..... D14/240  
 D675,660 S 2/2013 Su  
 D676,005 S 2/2013 Wood et al.  
 D680,569 S 4/2013 Lee et al.  
 D685,355 S 7/2013 Holleman et al.  
 8,475,059 B2 7/2013 Khamsepoor et al.  
 D687,817 S \* 8/2013 Petersen ..... D14/240  
 D688,725 S 8/2013 Tsai  
 D694,205 S 11/2013 Lim et al.  
 8,593,567 B2 11/2013 Xiao  
 D695,281 S \* 12/2013 Petersen ..... D14/240  
 D708,249 S 7/2014 Kim et al.  
 D709,117 S 7/2014 Gan et al.  
 D709,506 S \* 7/2014 Lee ..... D14/217  
 D712,951 S \* 9/2014 Chou ..... D16/202  
 D719,153 S 12/2014 Lim et al.  
 D722,941 S \* 2/2015 Oh ..... D12/400  
 D725,171 S 3/2015 Mita  
 D740,262 S \* 10/2015 Hasegawa ..... D14/240  
 D745,010 S \* 12/2015 Kim ..... D14/433  
 D745,586 S 12/2015 Chou et al.  
 9,217,911 B1 12/2015 Von Winsor et al.  
 D747,386 S \* 1/2016 Li ..... D16/208  
 D750,681 S \* 3/2016 Takami ..... D16/202  
 D752,531 S \* 3/2016 Xu ..... D14/125  
 D756,991 S \* 5/2016 Day ..... D14/314  
 D759,621 S \* 6/2016 Maxwell ..... D14/130  
 D768,587 S \* 10/2016 Xu ..... D14/125  
 2003/0227563 A1 12/2003 Ting  
 2011/0243547 A1 \* 10/2011 Khamsepoor ..... F16M 11/08  
 396/428  
 2011/0243548 A1 \* 10/2011 Khamsepoor ..... G03B 17/04  
 396/428

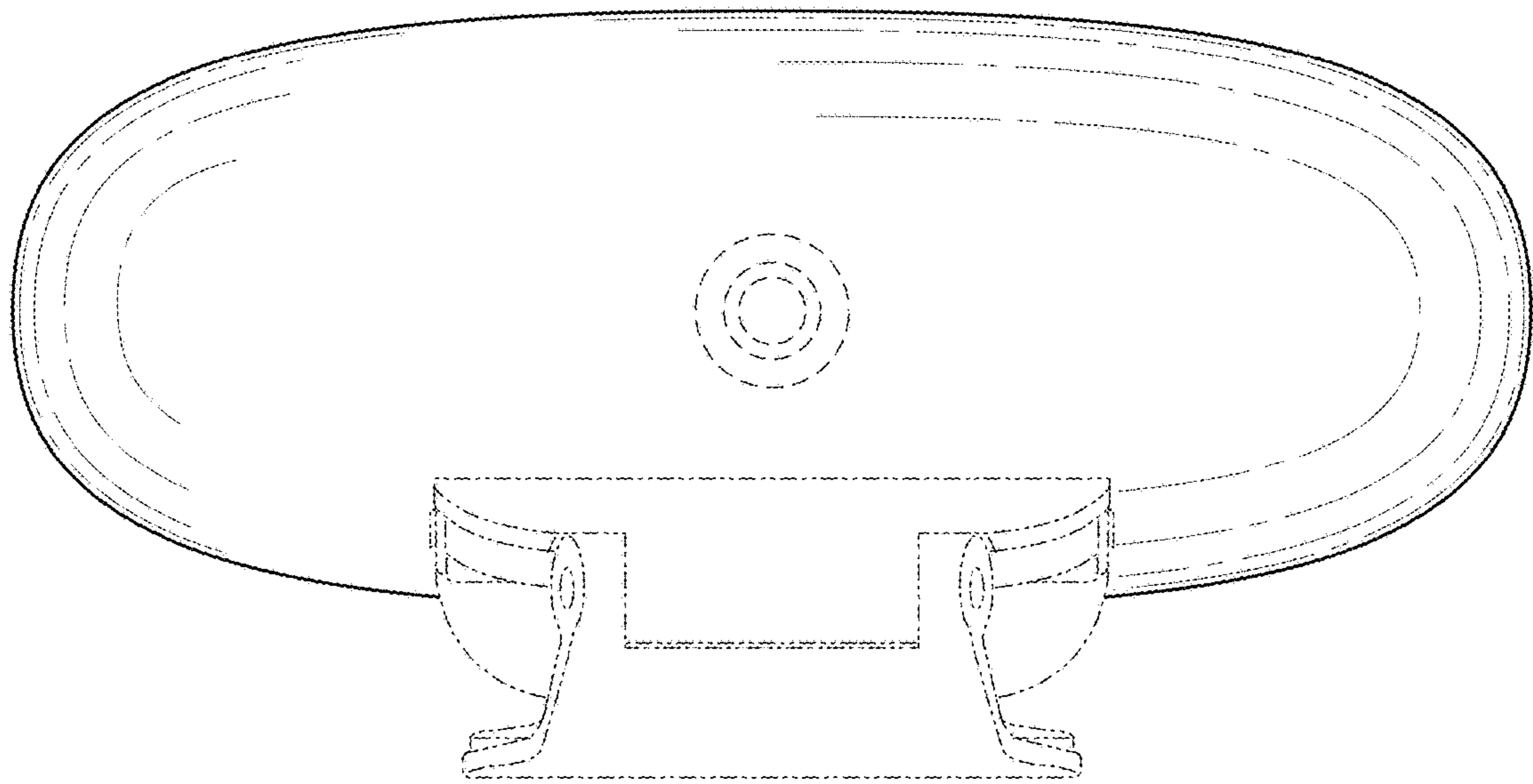
\* cited by examiner



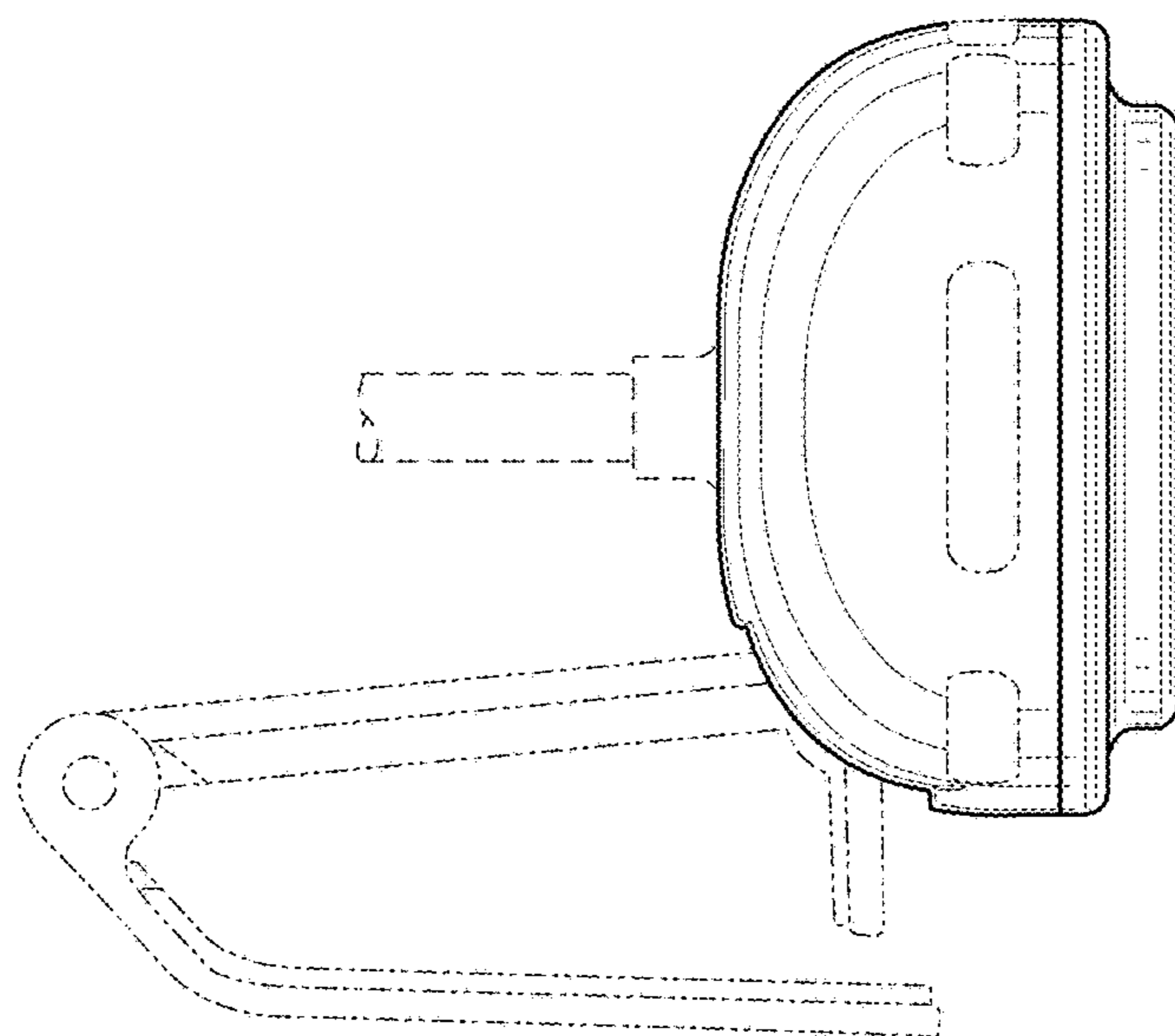
**FIG. 1**



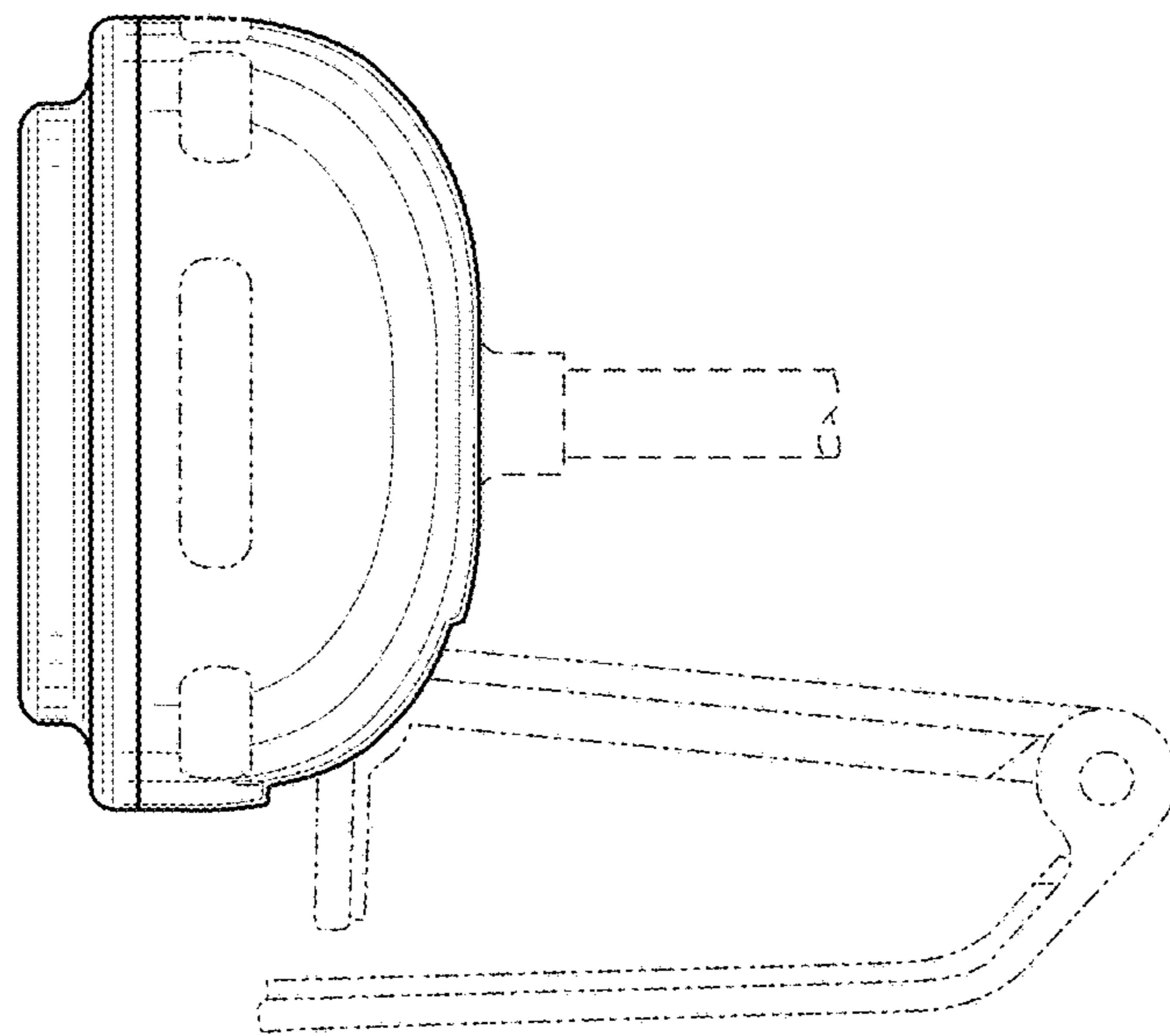
**FIG. 2**



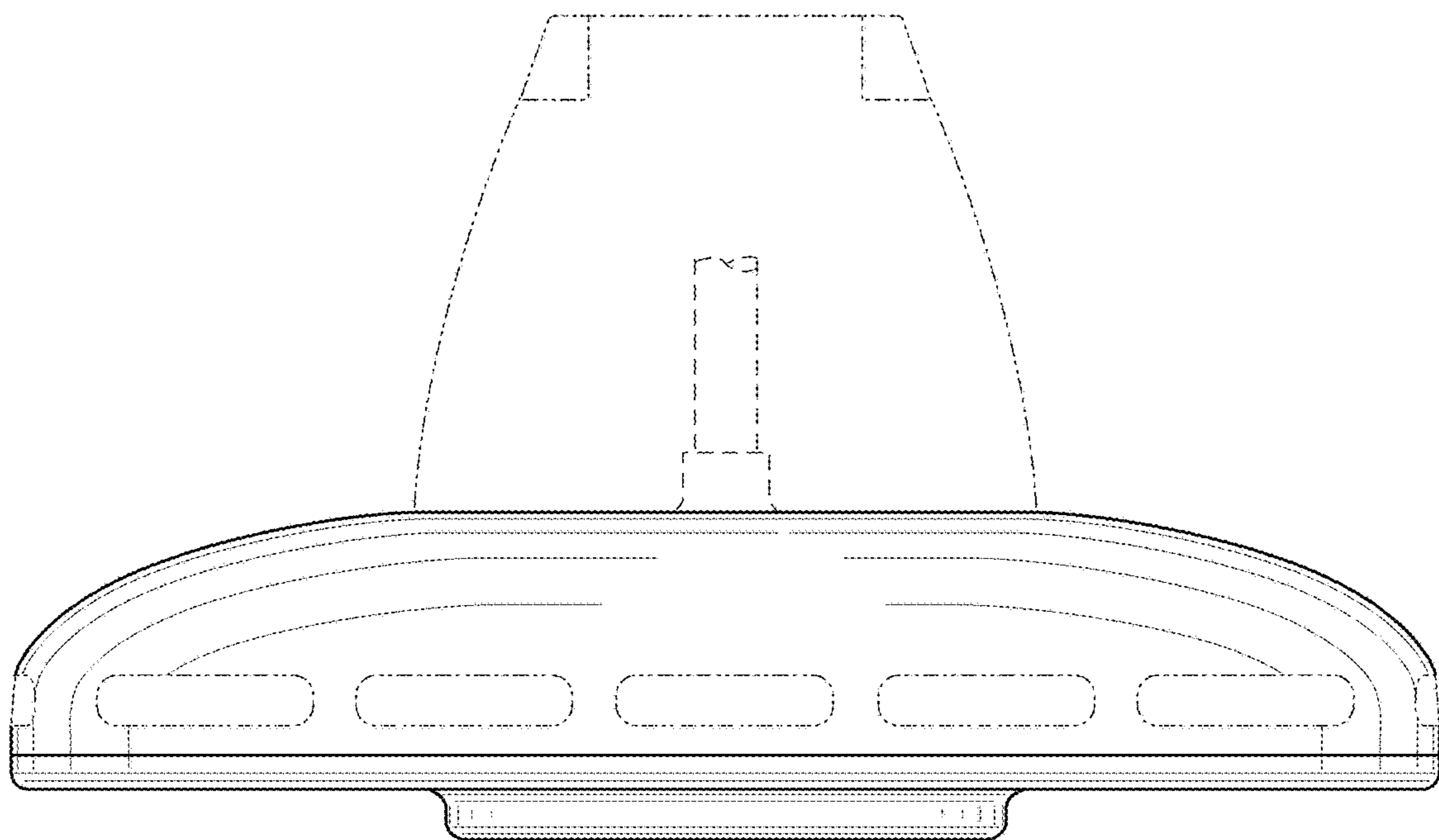
**FIG. 3**



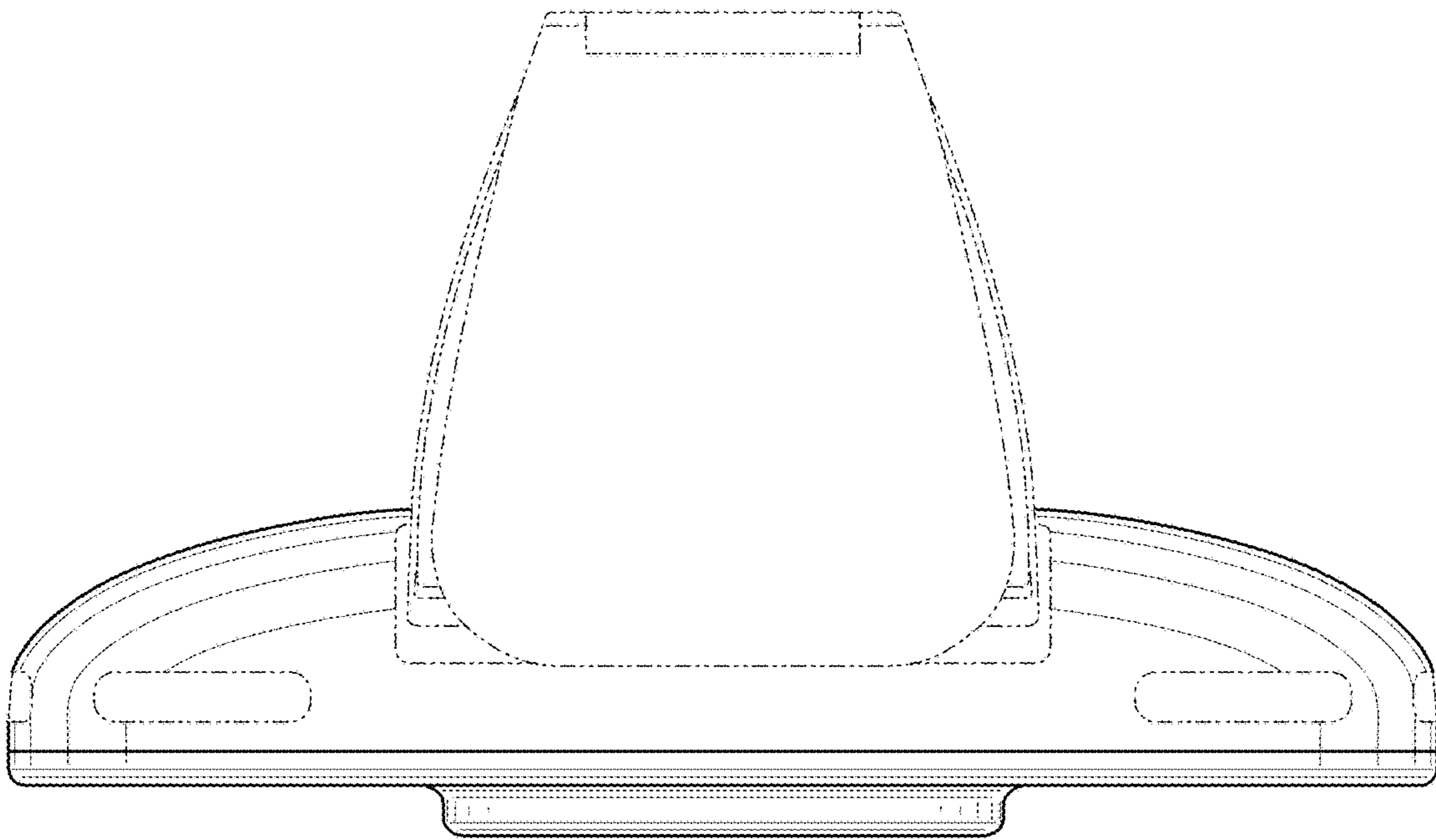
**FIG. 4**



**FIG. 5**



**FIG. 6**



**FIG. 7**