



US00D783074S

(12) **United States Design Patent**
Ham et al.

(10) **Patent No.:** **US D783,074 S**
(45) **Date of Patent:** **** Apr. 4, 2017**

(54) **CAMERA**

(71) Applicant: **Samsung Electronics Co., Ltd.**,
Suwon-si, Gyeonggi-do (KR)

(72) Inventors: **Minki Ham**, Seoul (KR); **Sanhui Oh**,
Seoul (KR)

(73) Assignee: **SAMSUNG ELECTRONICS CO.,
LTD**, Gyeonggi-Do (KR)

(**) Term: **15 Years**

(21) Appl. No.: **29/544,692**

(22) Filed: **Nov. 5, 2015**

(30) **Foreign Application Priority Data**

May 26, 2015 (KR) 30-2015-0026361

(51) **LOC (10) Cl.** **16-01**

(52) **U.S. Cl.**
USPC **D16/202**

(58) **Field of Classification Search**

USPC D16/200, 202-206, 208, 218, 219;
348/373-376; 396/535, 539-541

CPC G03B 15/03; G03B 17/02; G03B 17/04;
G03B 17/56; G03B 19/04; H04N 5/2251;
H04N 5/2252; H04N 5/2253; H04N
5/2254; H04N 2101/00

See application file for complete search history.

(56) **References Cited**

U.S. PATENT DOCUMENTS

7,646,426 B2 * 1/2010 Saiki G06F 1/1626
348/373
D689,914 S * 9/2013 Uemachi D16/202
D692,044 S * 10/2013 Uemachi D16/219

D698,848 S * 2/2014 Uemachi D16/219
D700,924 S * 3/2014 Sasaki D16/202
D711,450 S * 8/2014 Yamauchi D16/202
8,810,724 B2 * 8/2014 Ikezawa H04N 5/247
348/207.99
D712,950 S * 9/2014 Kwon D16/202
D717,353 S * 11/2014 Kobayashi D16/202
D721,751 S * 1/2015 Fujita D16/202
D722,332 S * 2/2015 Kobayashi D16/202
D729,297 S * 5/2015 Ikegame D16/202

* cited by examiner

Primary Examiner — Philip S Hyder

Assistant Examiner — Ramzi Almatrahi

(74) *Attorney, Agent, or Firm* — Cantor Colburn LLP

(57) **CLAIM**

The ornamental design for a camera, as shown and described.

DESCRIPTION

FIG. 1 is a front perspective view of a camera showing our new design;

FIG. 2 is a front view thereof;

FIG. 3 is a rear view thereof;

FIG. 4 is a left side elevation view thereof;

FIG. 5 is a right side elevation view thereof;

FIG. 6 is a top view thereof;

FIG. 7 is a bottom view thereof;

FIG. 8 is a rear perspective view thereof;

FIG. 9 is a front perspective view thereof, showing the display screen in a raised position; and,

FIG. 10 is a rear perspective view thereof, showing the display screen in a raised position.

The broken lines illustrating portions of the camera form no part of the claimed design.

1 Claim, 10 Drawing Sheets

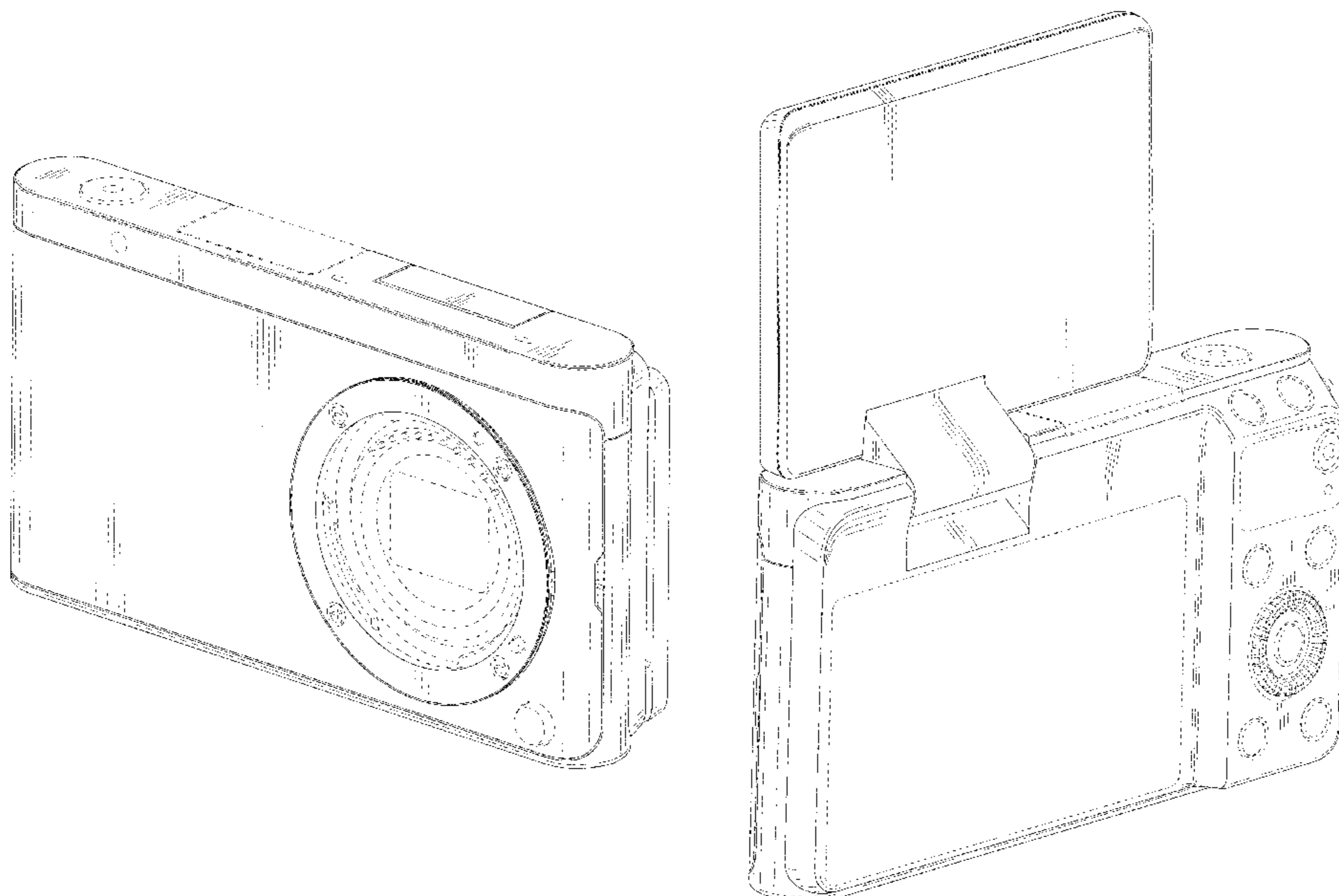


FIG. 1

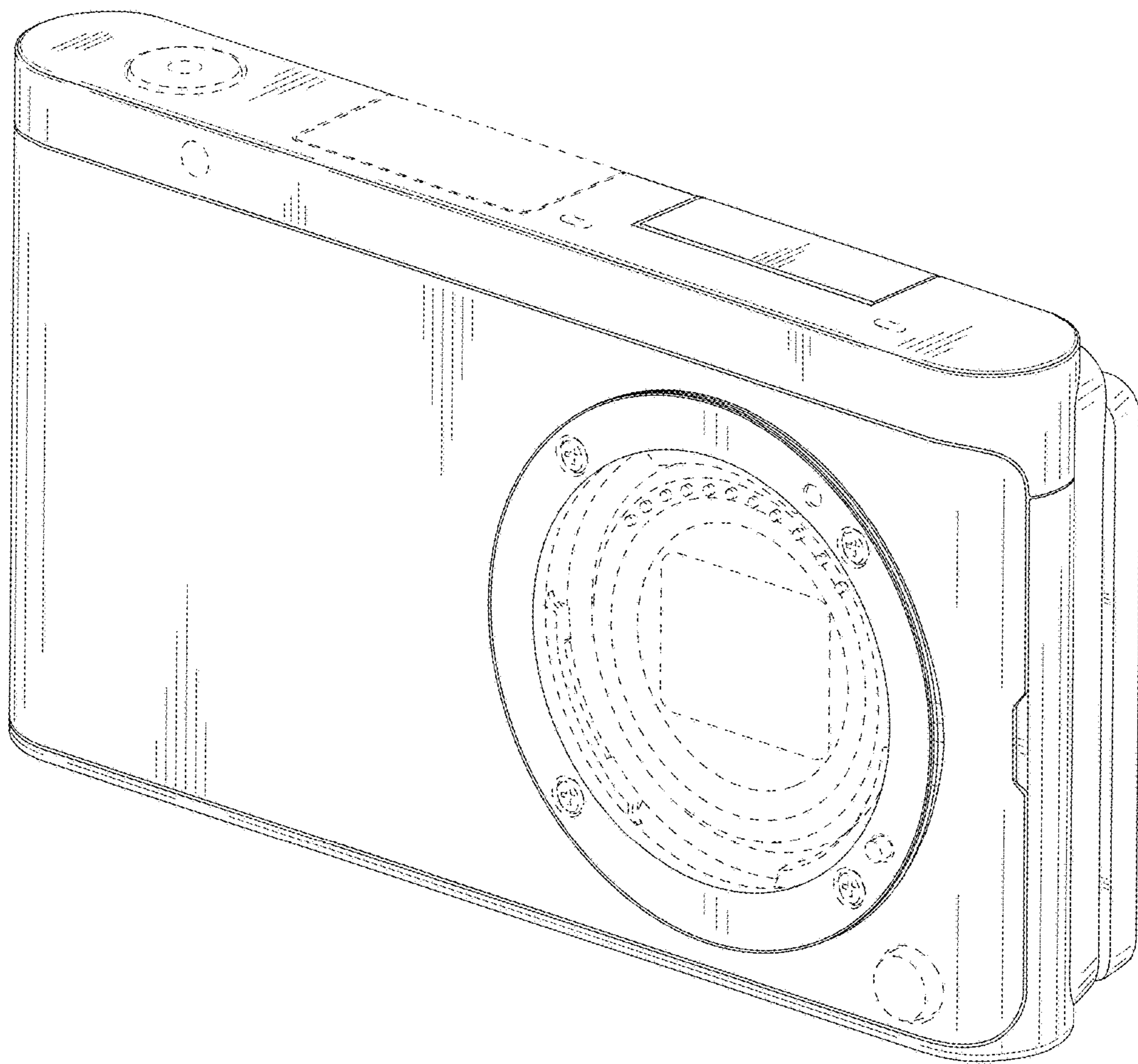


FIG. 2

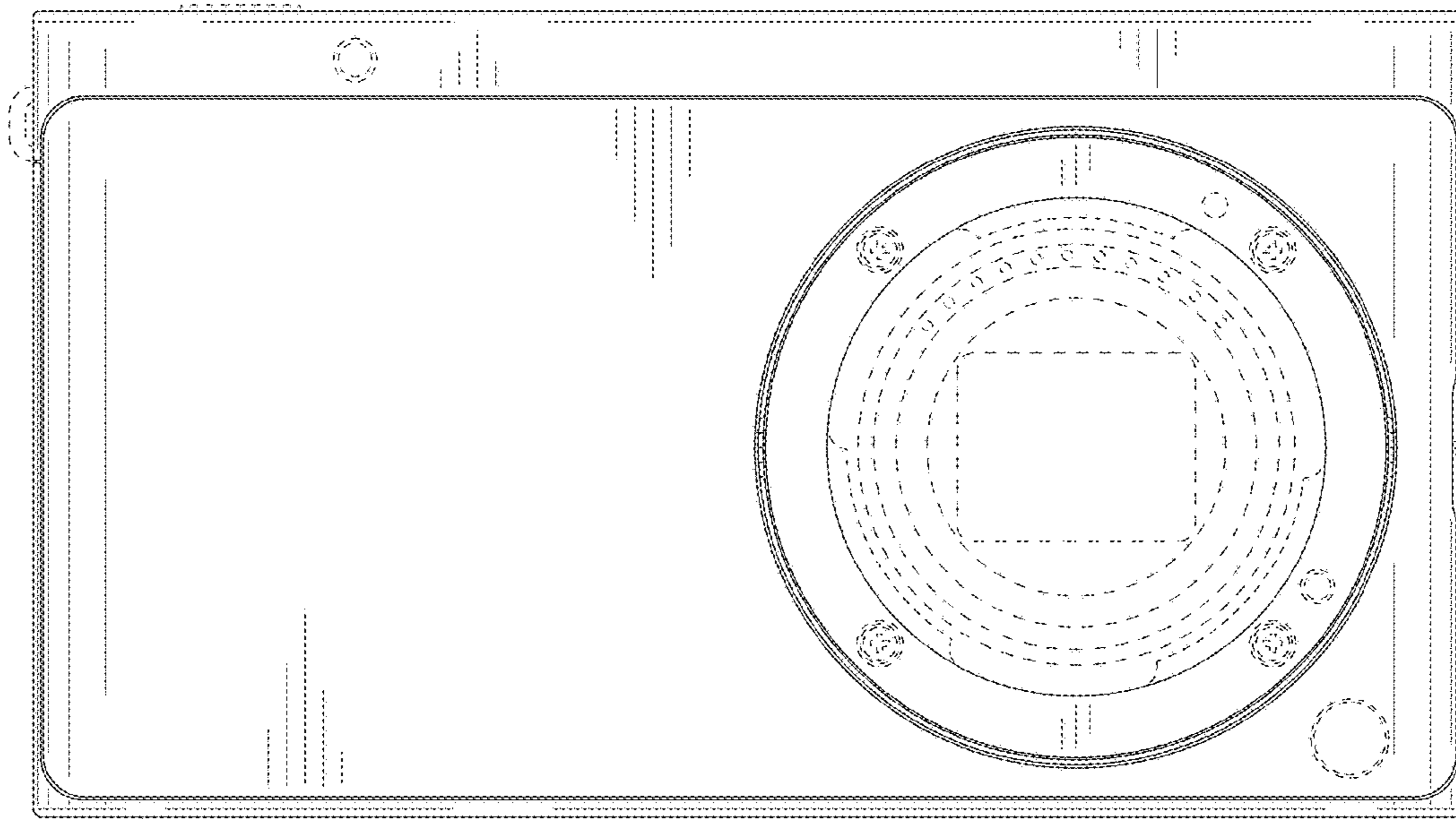


FIG. 3

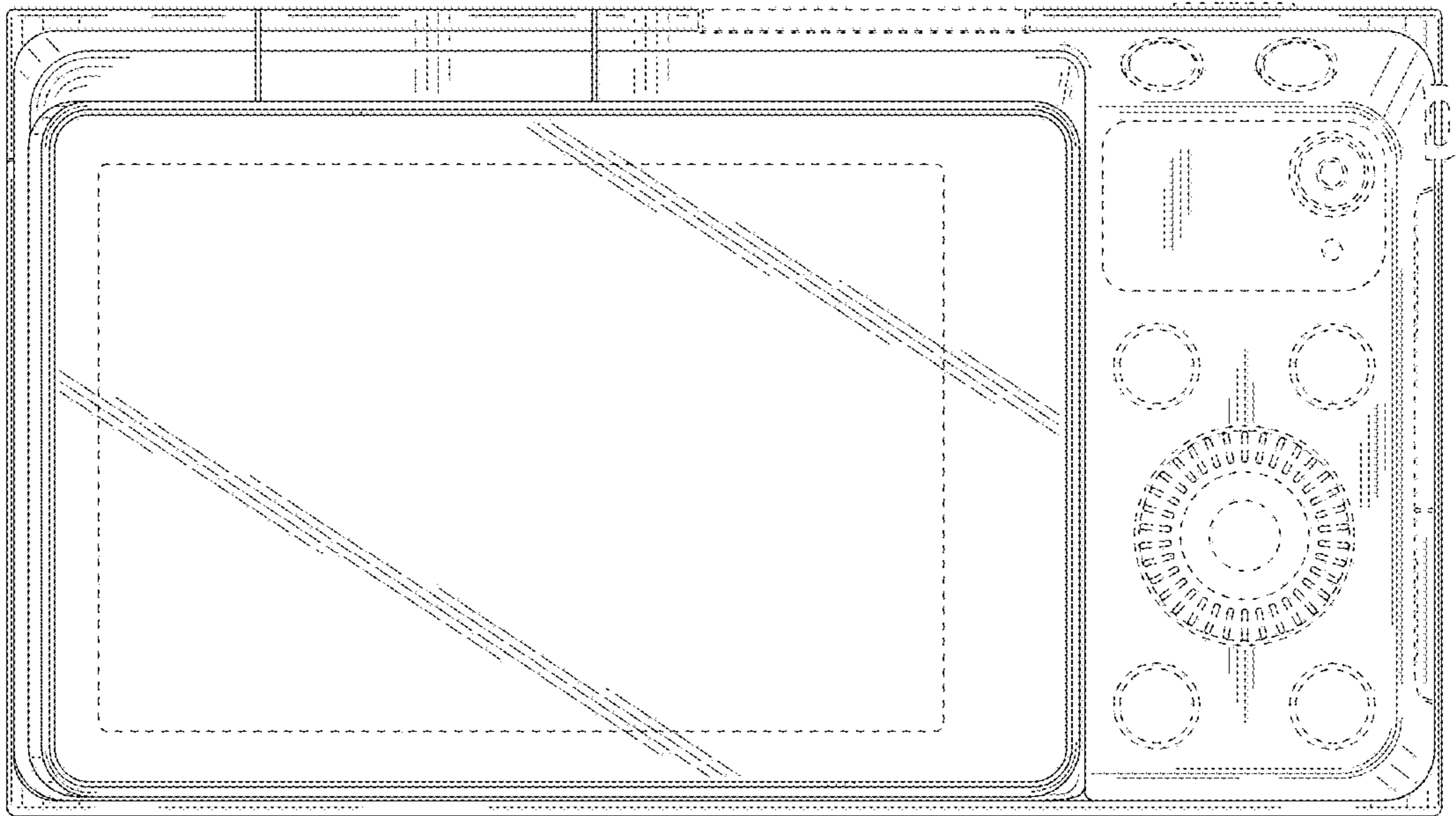


FIG. 4

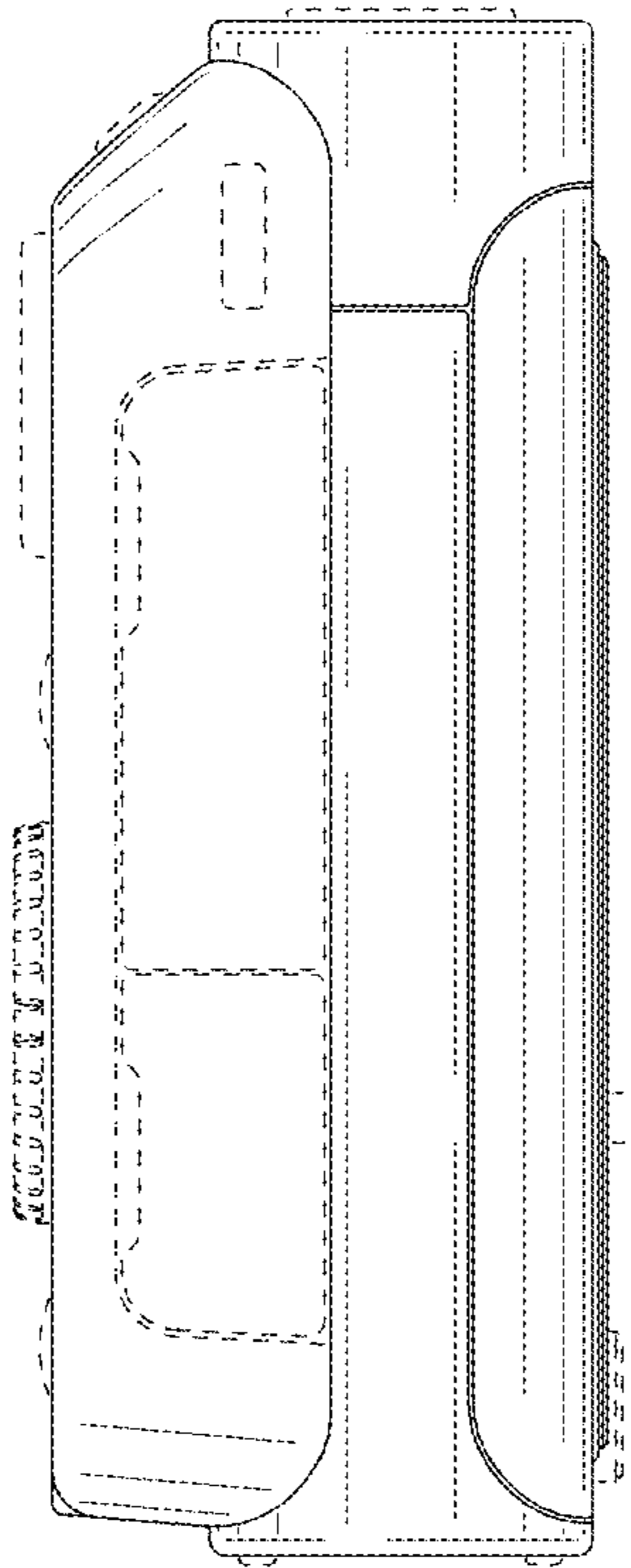


FIG. 5

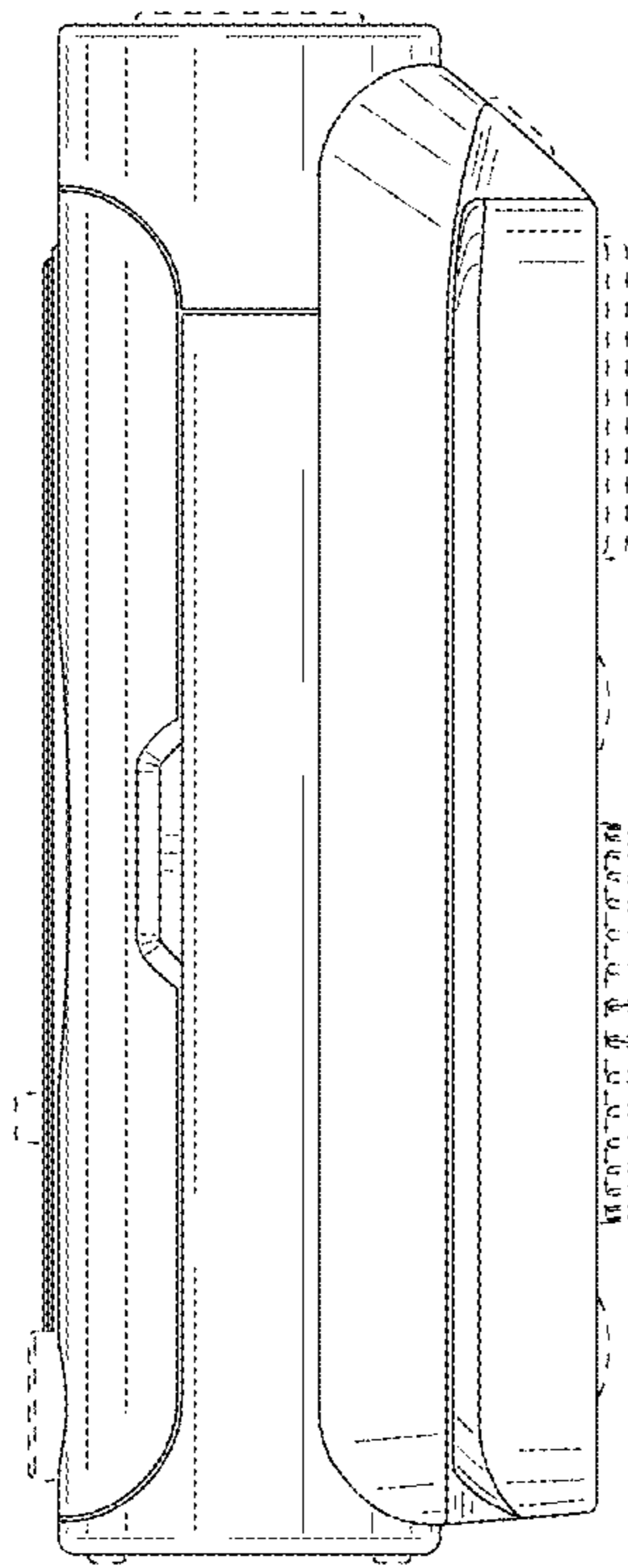


FIG. 6

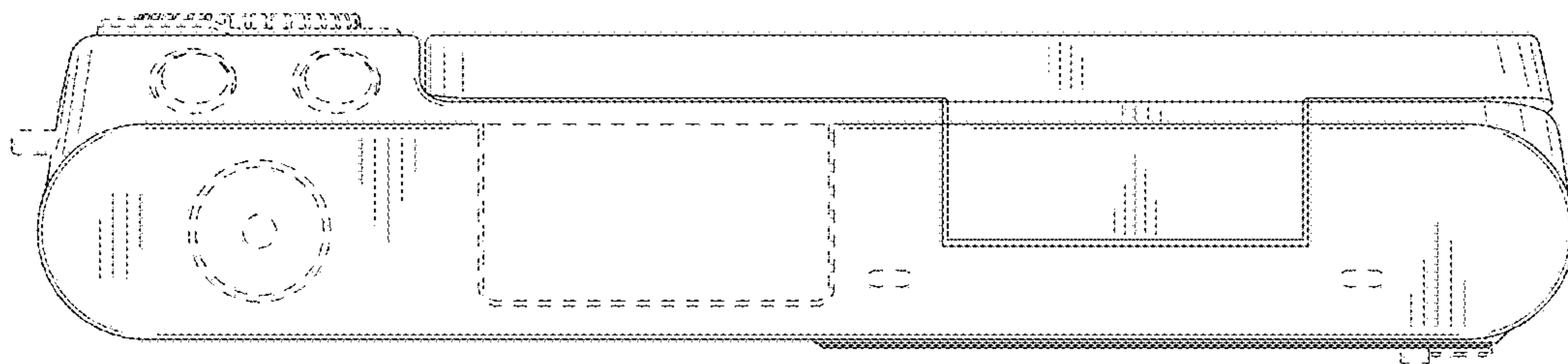


FIG. 7

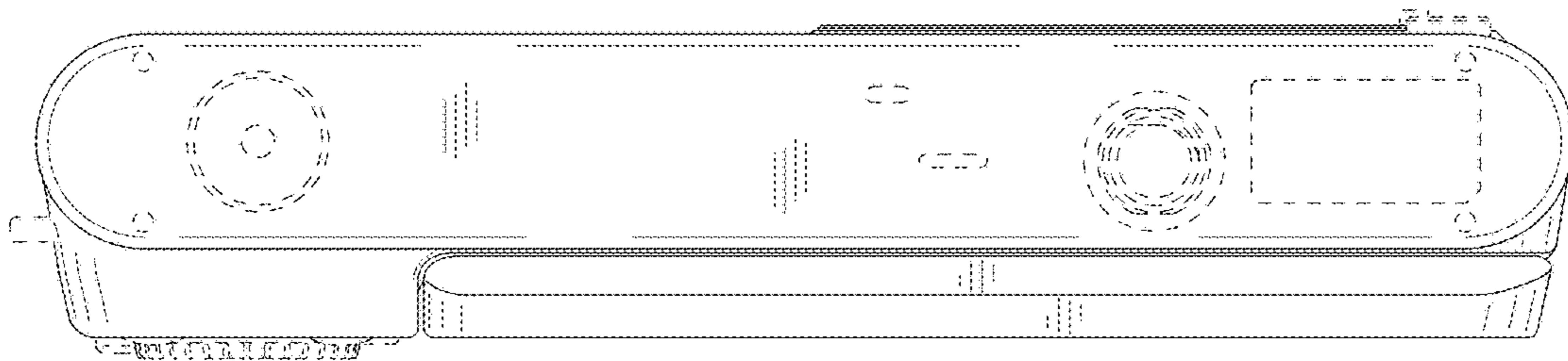


FIG. 8

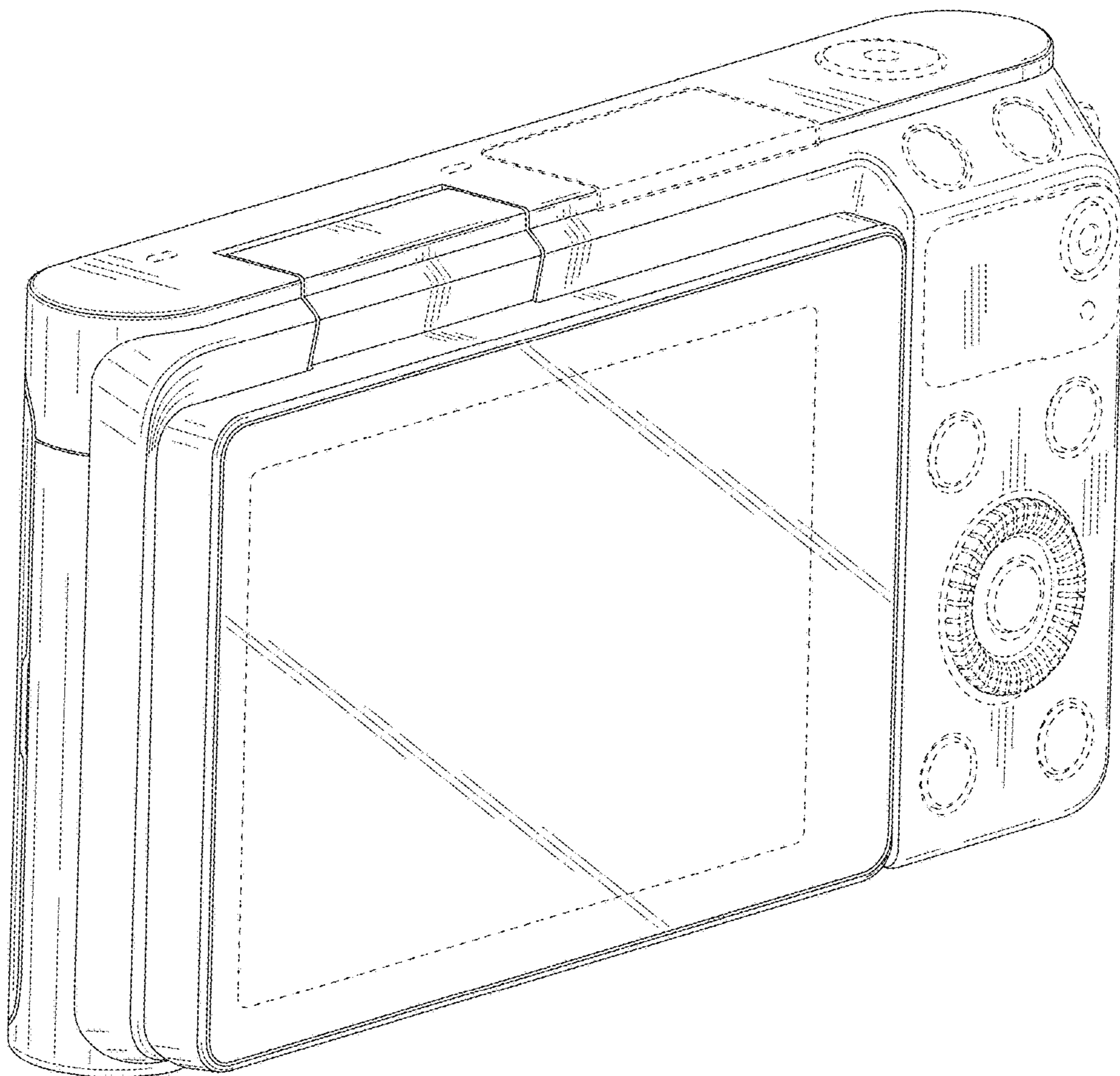


FIG. 9

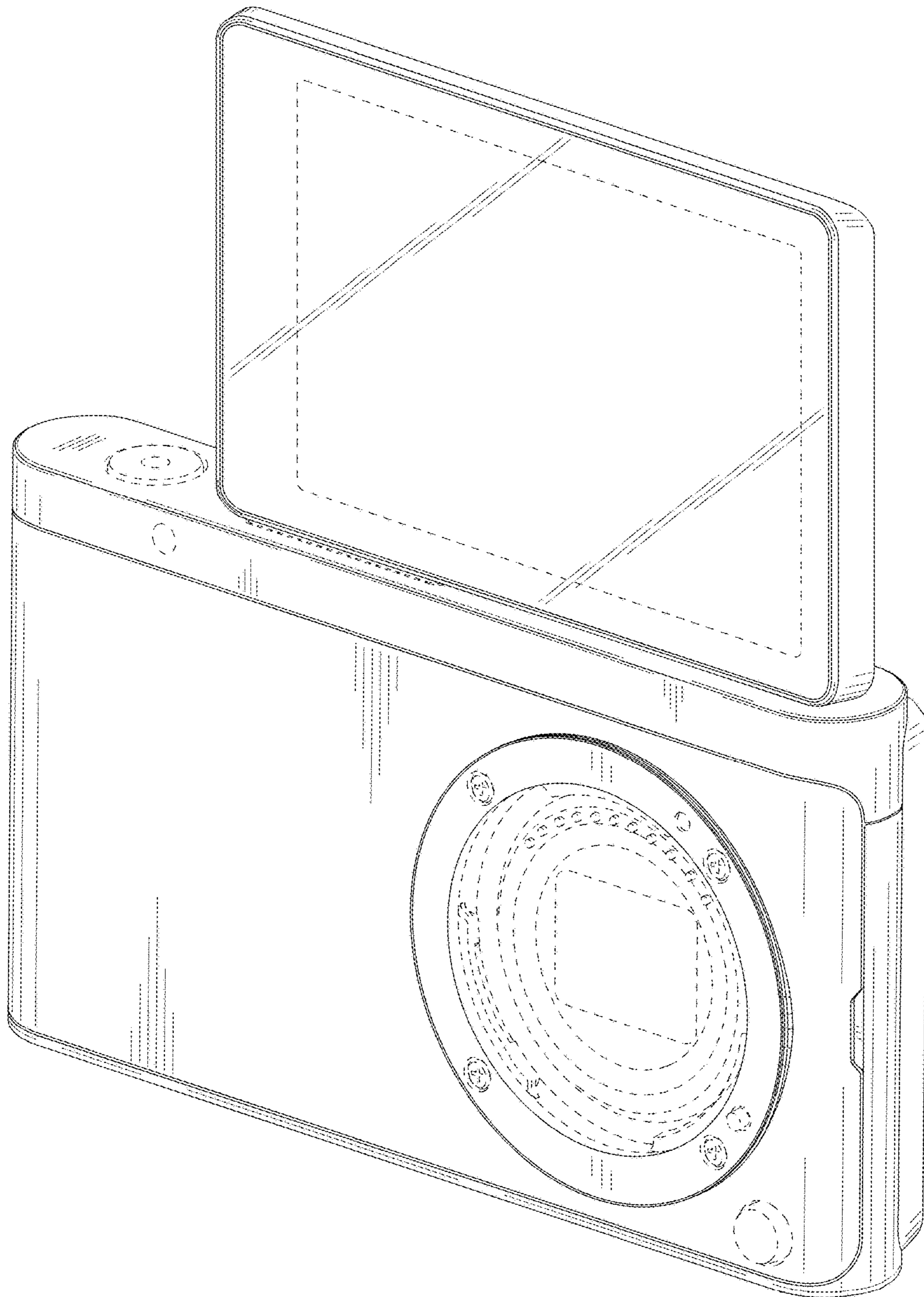


FIG. 10

