



US00D783072S

(12) **United States Design Patent** (10) **Patent No.:** **US D783,072 S**
Yanagisawa et al. (45) **Date of Patent:** **** Apr. 4, 2017**

(54) **MICROSCOPE**

(71) Applicant: **Nikon Corporation**, Tokyo (JP)

(72) Inventors: **Masaaki Yanagisawa**, Chigasaki (JP);
Tatsuya Kobayashi, Tokyo (JP)

(73) Assignee: **Nikon Corporation**, Tokyo (JP)

(**) Term: **15 Years**

(21) Appl. No.: **29/561,114**

(22) Filed: **Apr. 13, 2016**

(30) **Foreign Application Priority Data**

Oct. 13, 2015 (JP) 2015-022597

(51) **LOC (10) Cl.** **16-01**

(52) **U.S. Cl.**
USPC **D16/131**

(58) **Field of Classification Search**

USPC D16/130, 131, 134, 136, 137, 219, 235,
D16/237; D26/120, 124

CPC G02B 21/004; G02B 21/008; G02B 21/0088;
G02B 21/20; G02B 21/22; G02B 21/24;
G02B 21/241; G02B 21/26

See application file for complete search history.

(56) **References Cited**

U.S. PATENT DOCUMENTS

D354,299 S *	1/1995	Hofmann-Igl	D16/131
D356,804 S *	3/1995	Hofmann-Igl	D16/131
D369,611 S *	5/1996	Hasegawa	D16/130
D690,342 S *	9/2013	Funakoshi	D16/131

2003/0107800 A1*	6/2003	Doering	G02B 21/00 359/388
2004/0027654 A1*	2/2004	Gonschor	G02B 21/00 359/368
2010/0195199 A1*	8/2010	Tamura	G02B 21/24 359/391

OTHER PUBLICATIONS

Catalog of "Eclipse Tr", published by Nikon Corporation, Dec. 2014.

Catalog of "Eclipse TS100", published by Nikon Corporation, Mar. 2015.

* cited by examiner

Primary Examiner — Sheryl Lane

Assistant Examiner — Calvin E Vansant

(74) *Attorney, Agent, or Firm* — Wolf, Greenfield & Sacks, P.C.

(57) **CLAIM**

The ornamental design for a microscope, as shown and described.

DESCRIPTION

FIG. 1 is a front, top, and left side perspective view of a microscope showing our new design;

FIG. 2 is a rear, top, and right side perspective view thereof;

FIG. 3 is a front view thereof;

FIG. 4 is a rear view thereof;

FIG. 5 is a top plan view thereof;

FIG. 6 is a bottom plan view thereof;

FIG. 7 is a right side view thereof; and,

FIG. 8 is a left side view thereof.

The features shown in broken lines in the drawings depict portions of the article that form no part of the claimed design. The dash-dotted lines denote the boundary of the claim and form no part of the claimed design.

1 Claim, 8 Drawing Sheets

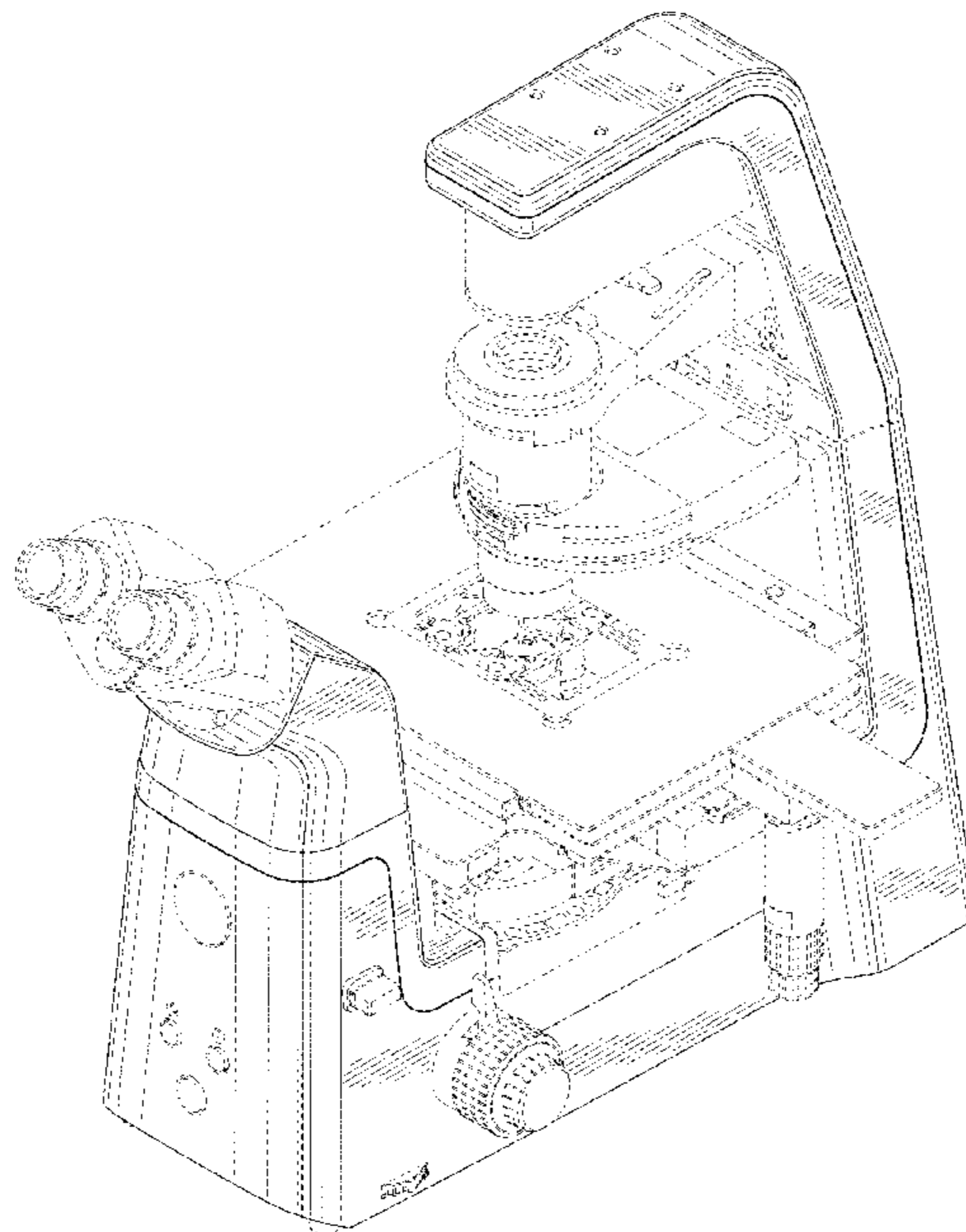


FIG. 1

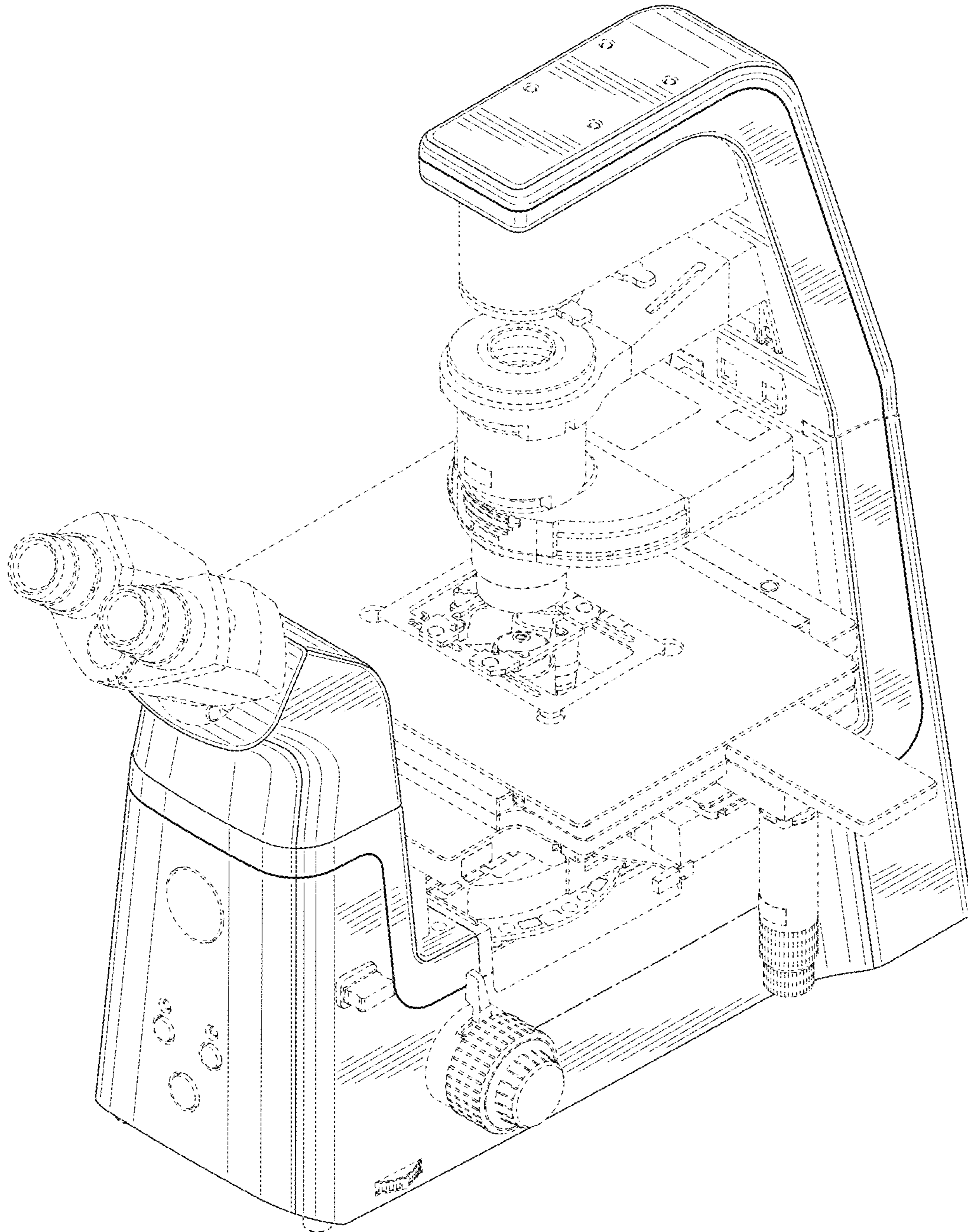


FIG. 2

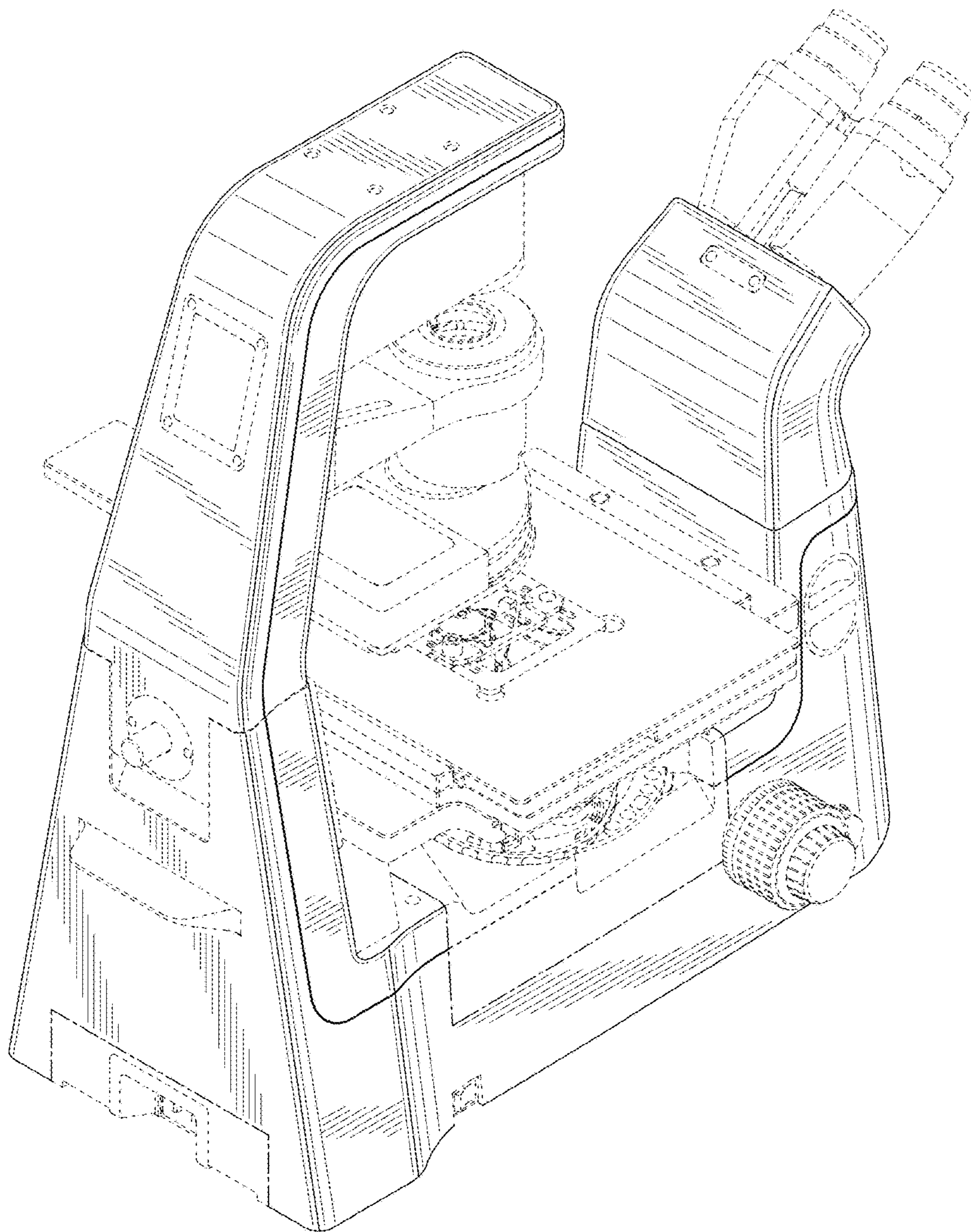


FIG. 3

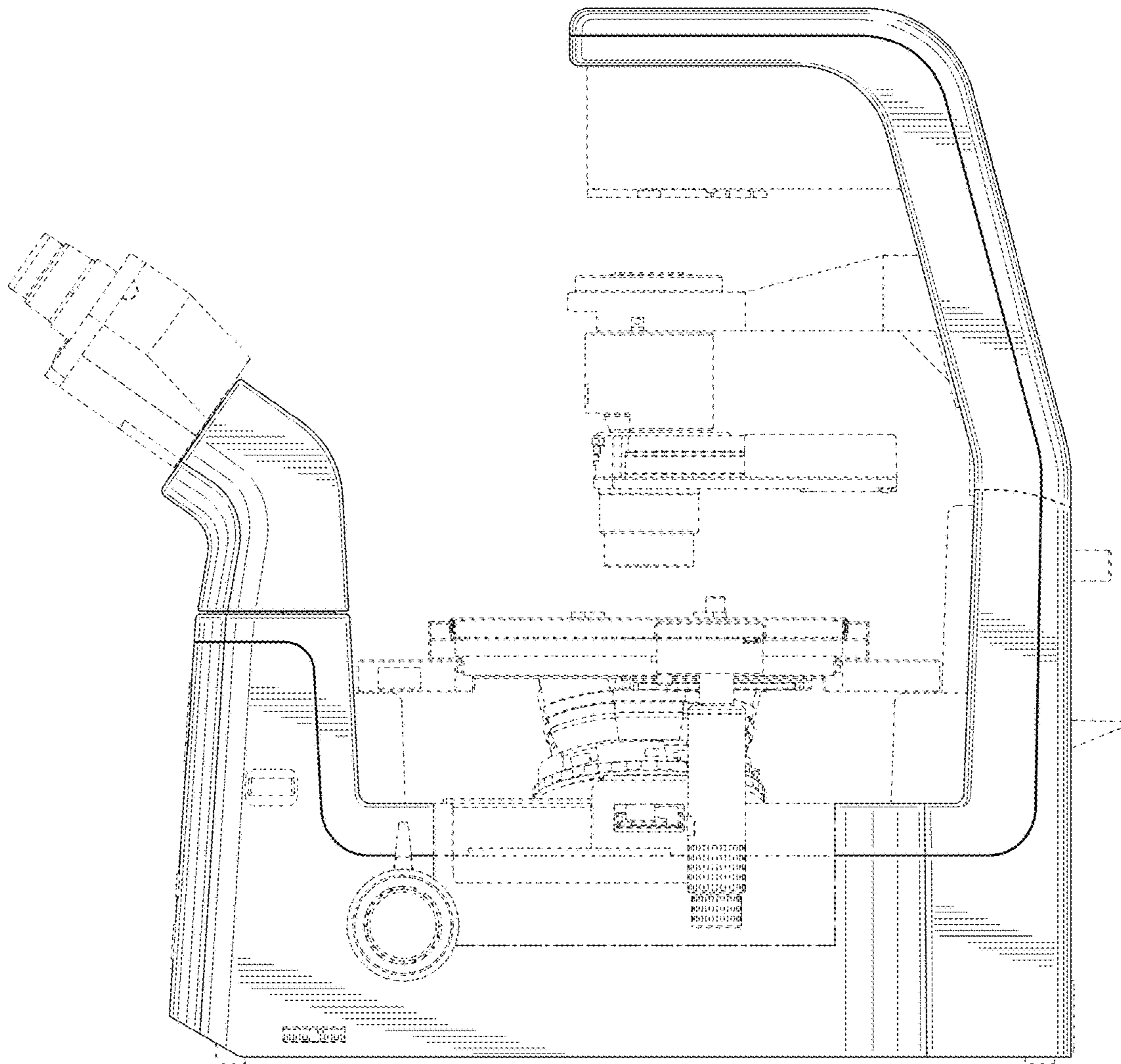


FIG. 4

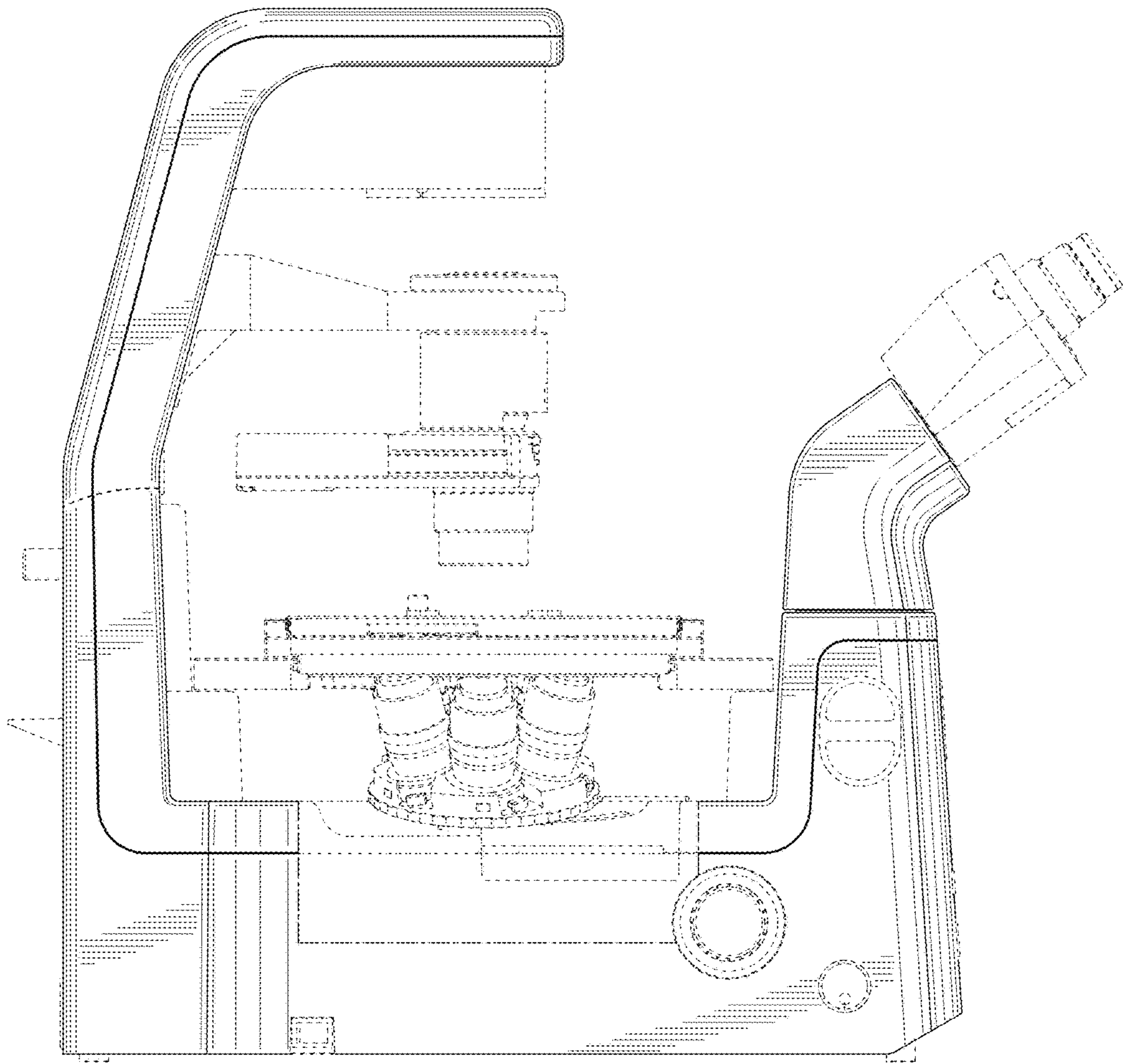


FIG. 5

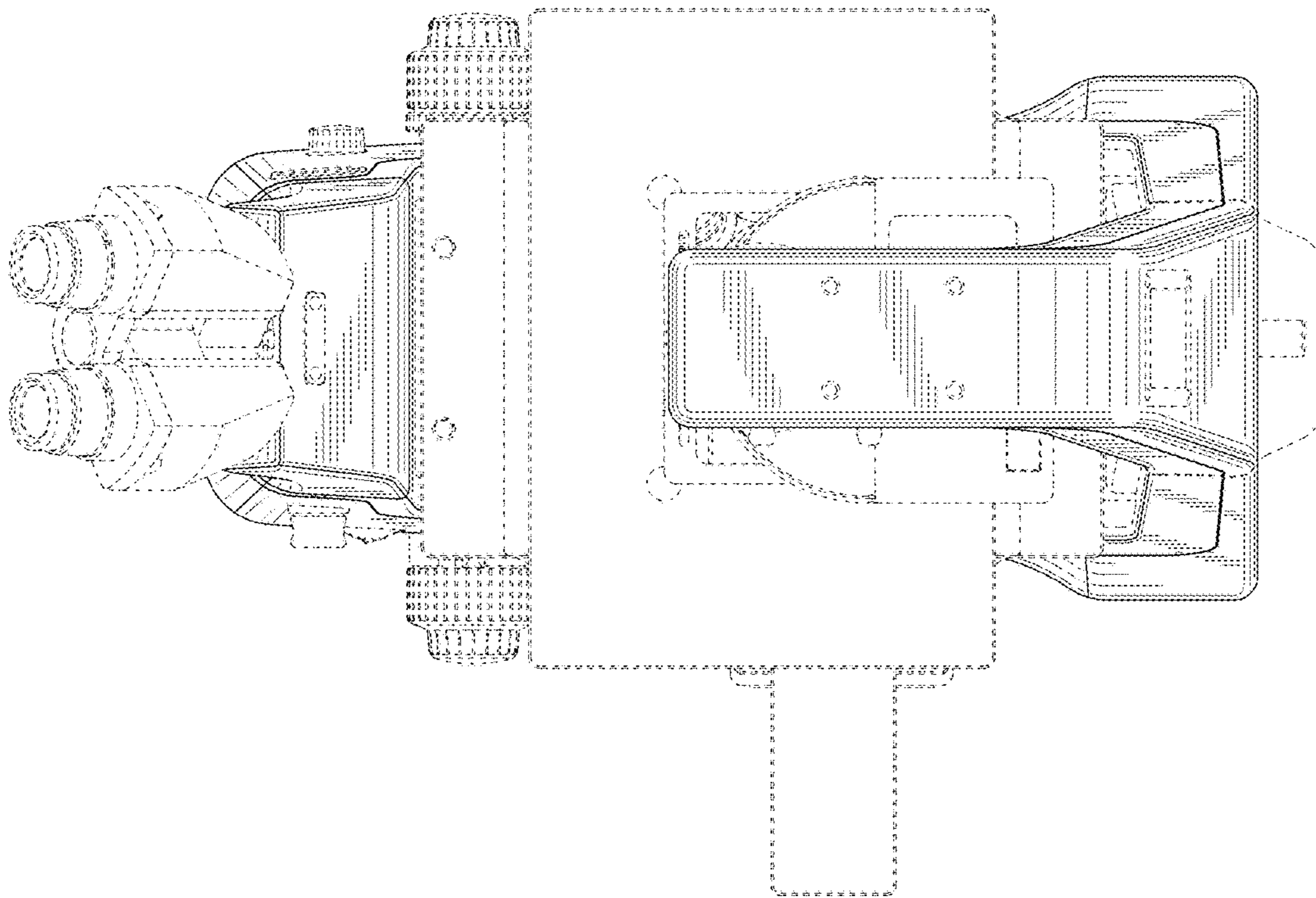


FIG. 6

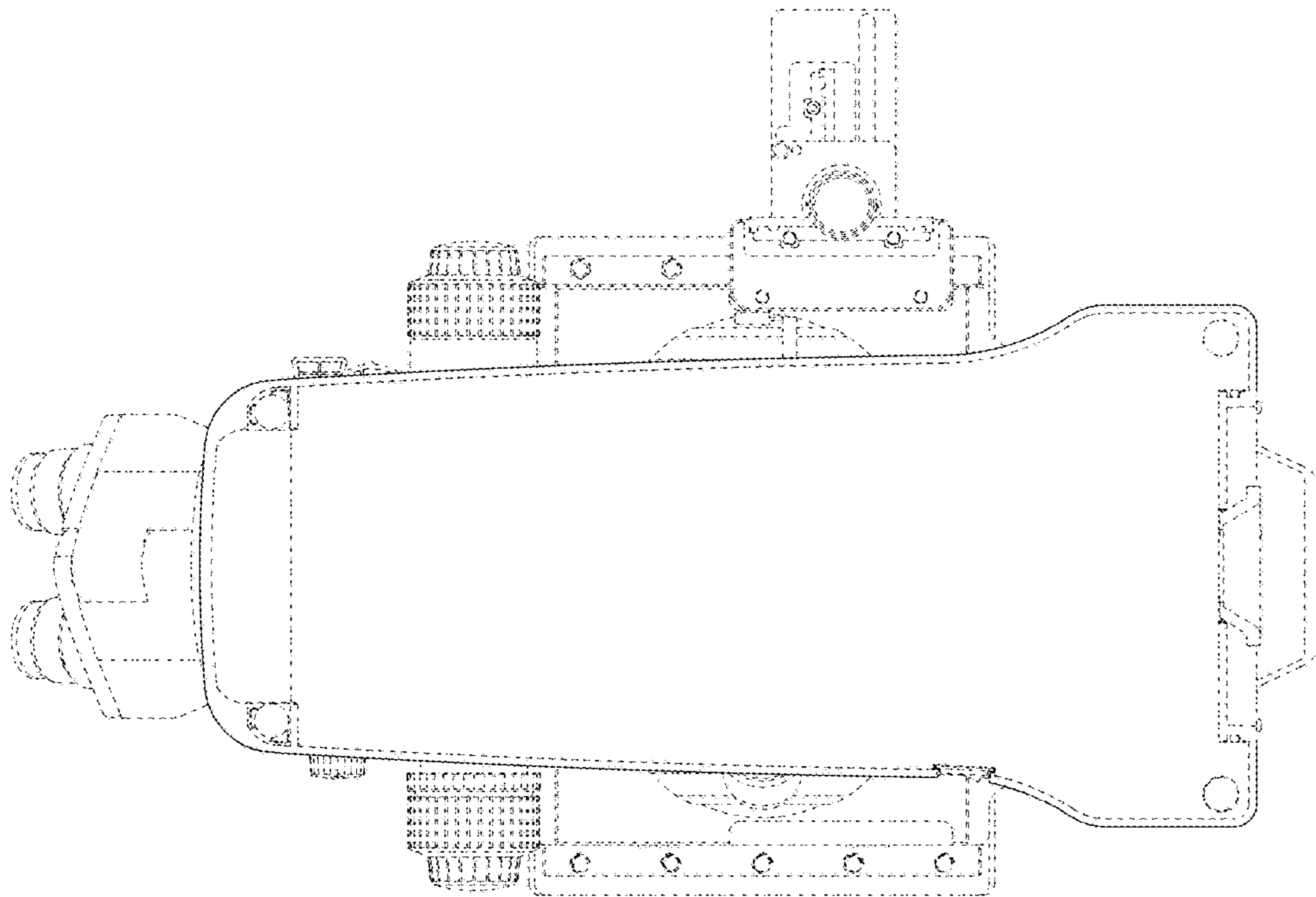


FIG. 7

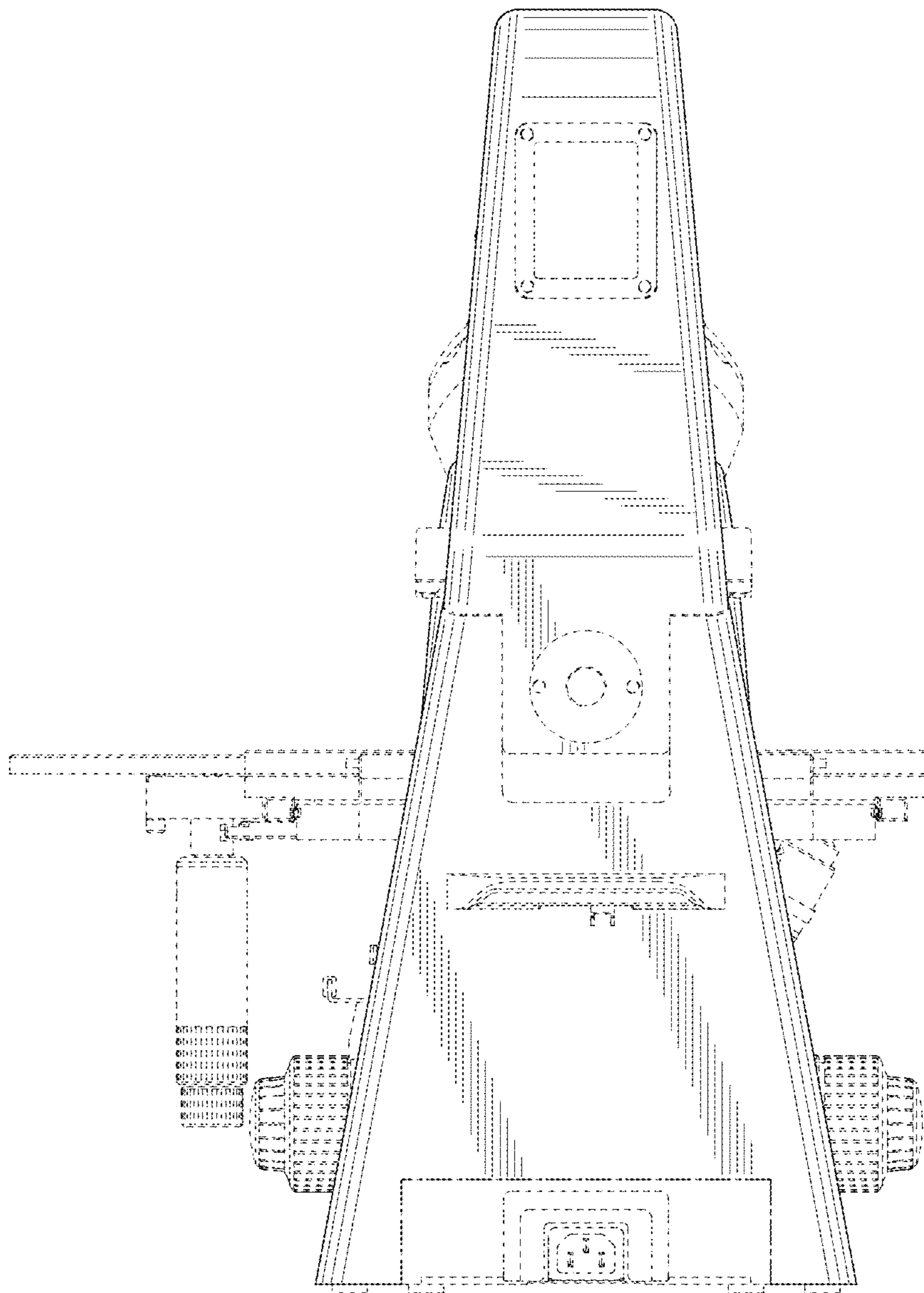


FIG. 8

