



US00D783070S

(12) **United States Design Patent** (10) **Patent No.:** **US D783,070 S**  
**Fujii** (45) **Date of Patent:** **\*\* Apr. 4, 2017**

(54) **WIRE FEEDER FOR A WELDING ROBOT**

(71) Applicant: **Junzo Fujii**, Osaka (JP)

(72) Inventor: **Junzo Fujii**, Osaka (JP)

(73) Assignee: **Daihen Corporation**, Osaka (JP)

(\*\*) Term: **15 Years**

(21) Appl. No.: **29/532,445**

(22) Filed: **Jul. 7, 2015**

(30) **Foreign Application Priority Data**

Jan. 9, 2015 (JP) ..... 2015-000352

(51) **LOC (10) Cl.** ..... **15-09**

(52) **U.S. Cl.**

USPC ..... **D15/144; D15/199**

(58) **Field of Classification Search**

USPC ..... D8/29.1, 30; D13/123, 133; D15/144,  
D15/144.1, 144.2, 199; 219/424, 606;

(Continued)

(56) **References Cited**

**U.S. PATENT DOCUMENTS**

4,650,959 A \* 3/1987 Swensrud ..... B23K 9/1336  
219/125.1

5,170,034 A \* 12/1992 Seshimo ..... G05B 19/4067  
219/125.1

(Continued)

*Primary Examiner* — Patricia Palasik

(74) *Attorney, Agent, or Firm* — Faegre Baker Daniels  
LLP

(57) **CLAIM**

The ornamental design for a wire feeder for a welding robot, as shown and described.

**DESCRIPTION**

FIG. 1 is a front, top, and right side perspective view of a wire feeder for a welding robot showing my new design;

FIG. 2 is a front view thereof;

FIG. 3 is a rear view thereof;

FIG. 4 is a top plan view thereof;

FIG. 5 is a bottom plan view thereof;

FIG. 6 is a right side view thereof;

FIG. 7 is a left side view thereof;

FIG. 8 is a first perspective view with a transparent cover opened.

FIG. 9 is a second perspective view with the transparent cover opened;

FIG. 10 is a front view with the transparent cover opened;

FIG. 11 is a right side view with the transparent cover opened;

FIG. 12 is an enlarged view defined by the lines labeled 12 in FIG. 8;

FIG. 13 is an enlarged view defined by the lines labeled 13 in FIG. 9;

FIG. 14 is an enlarged view defined by the lines labeled 14 in FIG. 10;

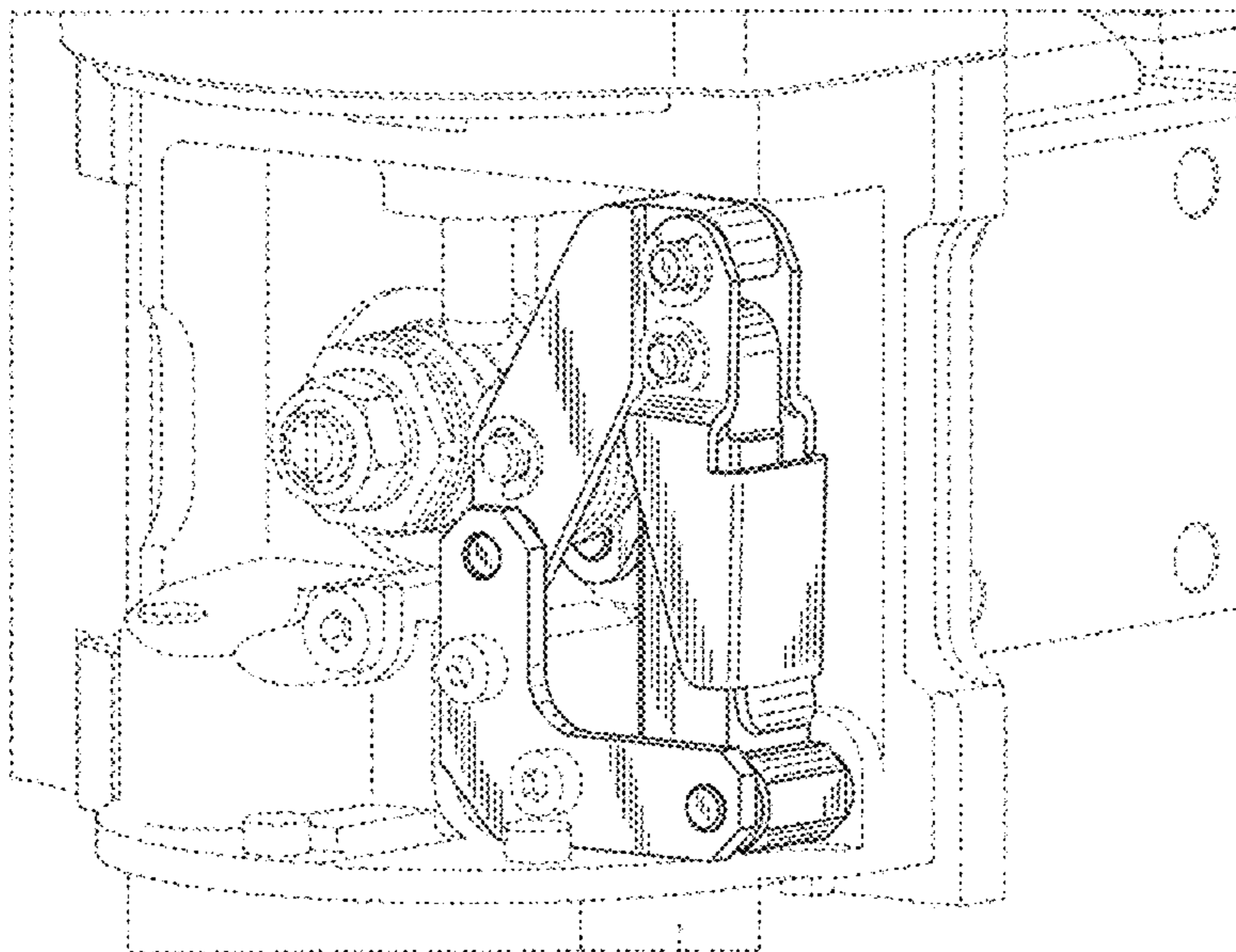
FIG. 15 is an enlarged view defined by the lines labeled 15 in FIG. 11;

FIG. 16 is an enlarged cross-sectional view taken along the line 16-16 in FIG. 14; and,

FIG. 17 is an enlarged cross-sectional view taken along the line 17-17 in FIG. 15.

The features shown in broken lines in the drawings depict environmental subject matter only and form no part of the claimed design. The dash-dotted lines denote the boundary of the claim and form no part of the claimed design. The cover shown in FIGS. 1, 2, and 6-11 is transparent.

**1 Claim, 17 Drawing Sheets**



(58) **Field of Classification Search**

USPC ... 222/152, 156, 189.06, 397; 228/8, 20, 51,  
228/111.5

See application file for complete search history.

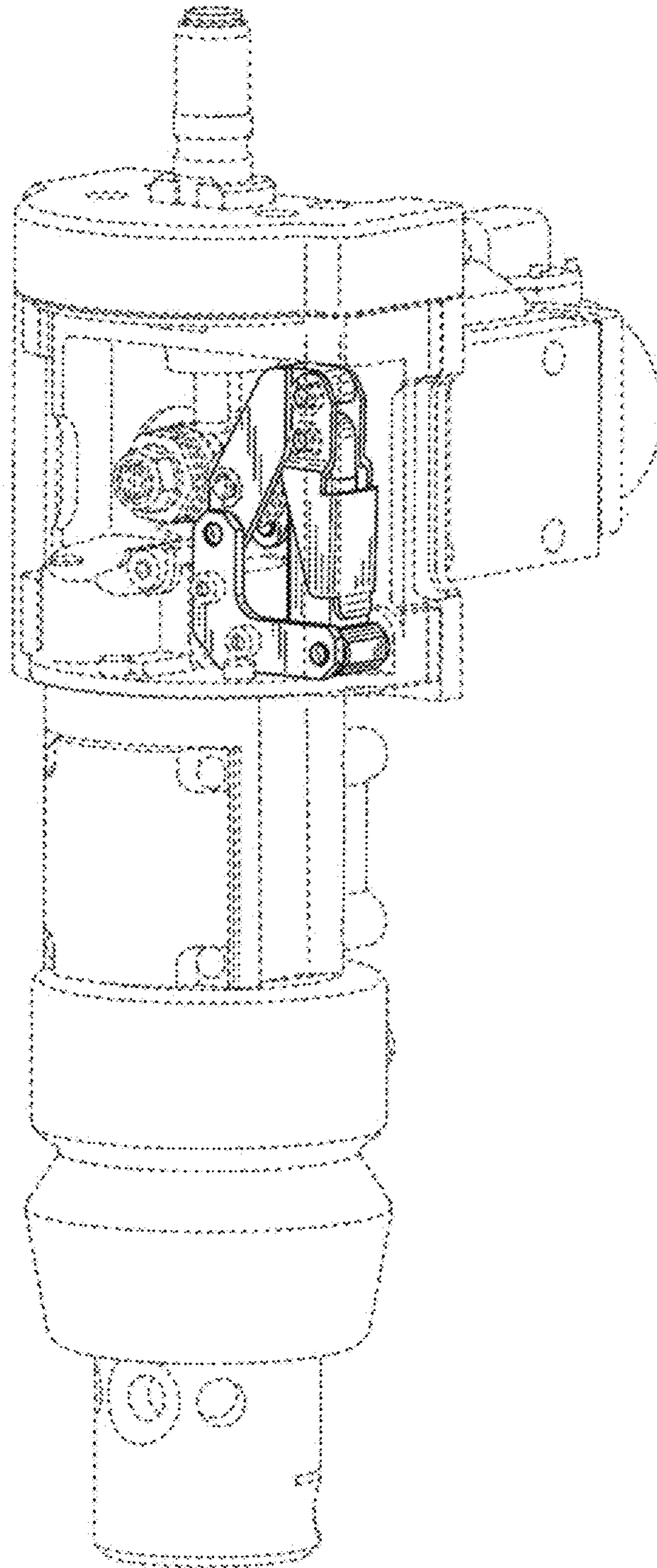
(56) **References Cited**

U.S. PATENT DOCUMENTS

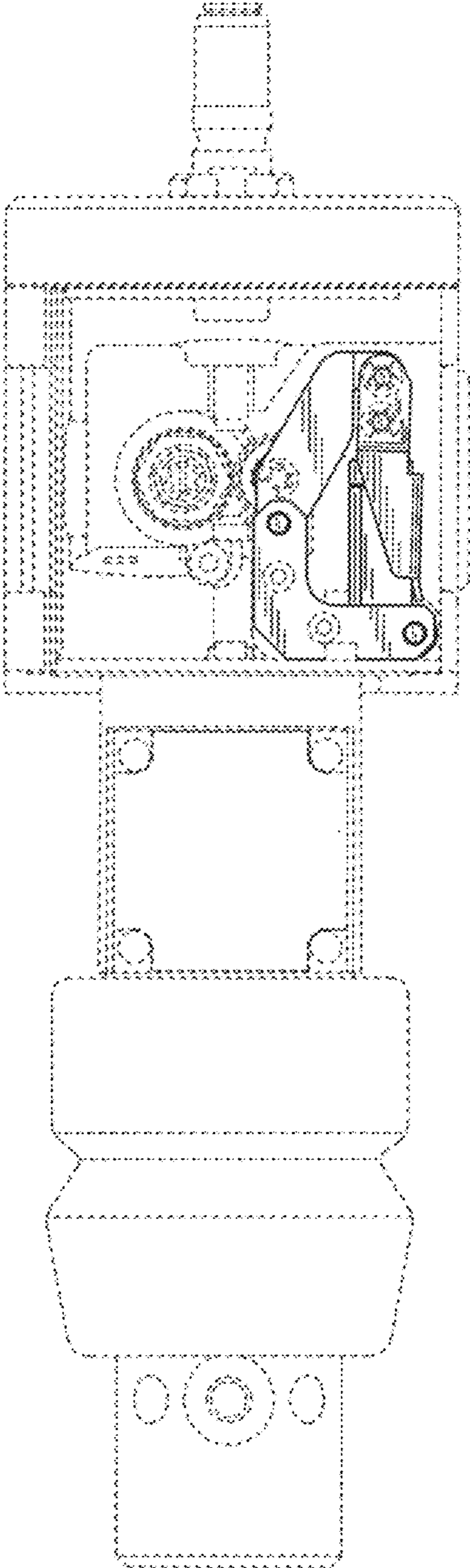
D433,040 S \* 10/2000 Kriek ..... D15/144.2  
D434,428 S \* 11/2000 Kriek ..... D15/144.2  
6,479,795 B1 \* 11/2002 Albrecht ..... B23K 9/124  
219/136  
D569,884 S \* 5/2008 Shu ..... D15/144  
7,427,726 B2 \* 9/2008 Enyedy ..... B23K 9/1336  
219/136  
D590,852 S \* 4/2009 Killion ..... D15/144  
8,003,916 B2 \* 8/2011 Ohara ..... B23K 9/133  
219/124.34  
D653,271 S \* 1/2012 Kindig ..... D15/144  
8,288,687 B2 \* 10/2012 Inoue ..... B23K 9/295  
219/125.1  
8,575,517 B2 \* 11/2013 Ertmer ..... B23K 9/1336  
219/137.2  
D727,986 S \* 4/2015 Matiash ..... D15/144  
D752,666 S \* 3/2016 Ge ..... D15/144  
2004/0169021 A1 \* 9/2004 Baker ..... B23K 26/0096  
219/121.63  
2007/0284352 A1 \* 12/2007 Lynaugh ..... B23K 9/323  
219/137.2  
2008/0156783 A1 \* 7/2008 Vanden Heuvel ..... B23K 9/125  
219/137.2  
2009/0166345 A1 \* 7/2009 Enyedy ..... B23K 9/1006  
219/137.2

\* cited by examiner

*FIG. 1*

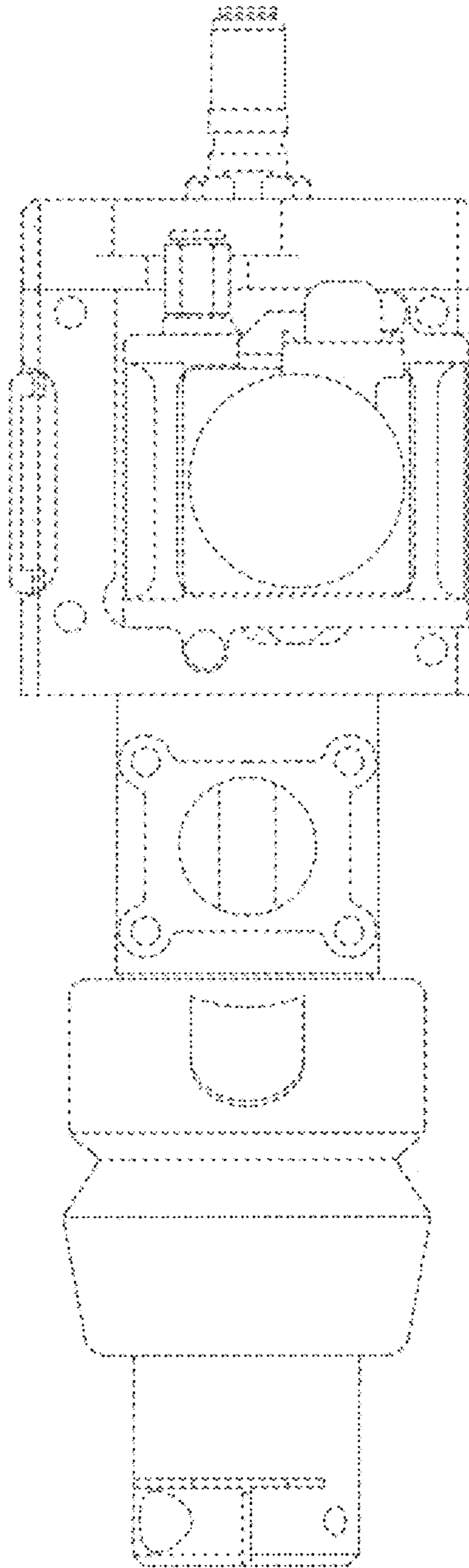


**FIG. 2**

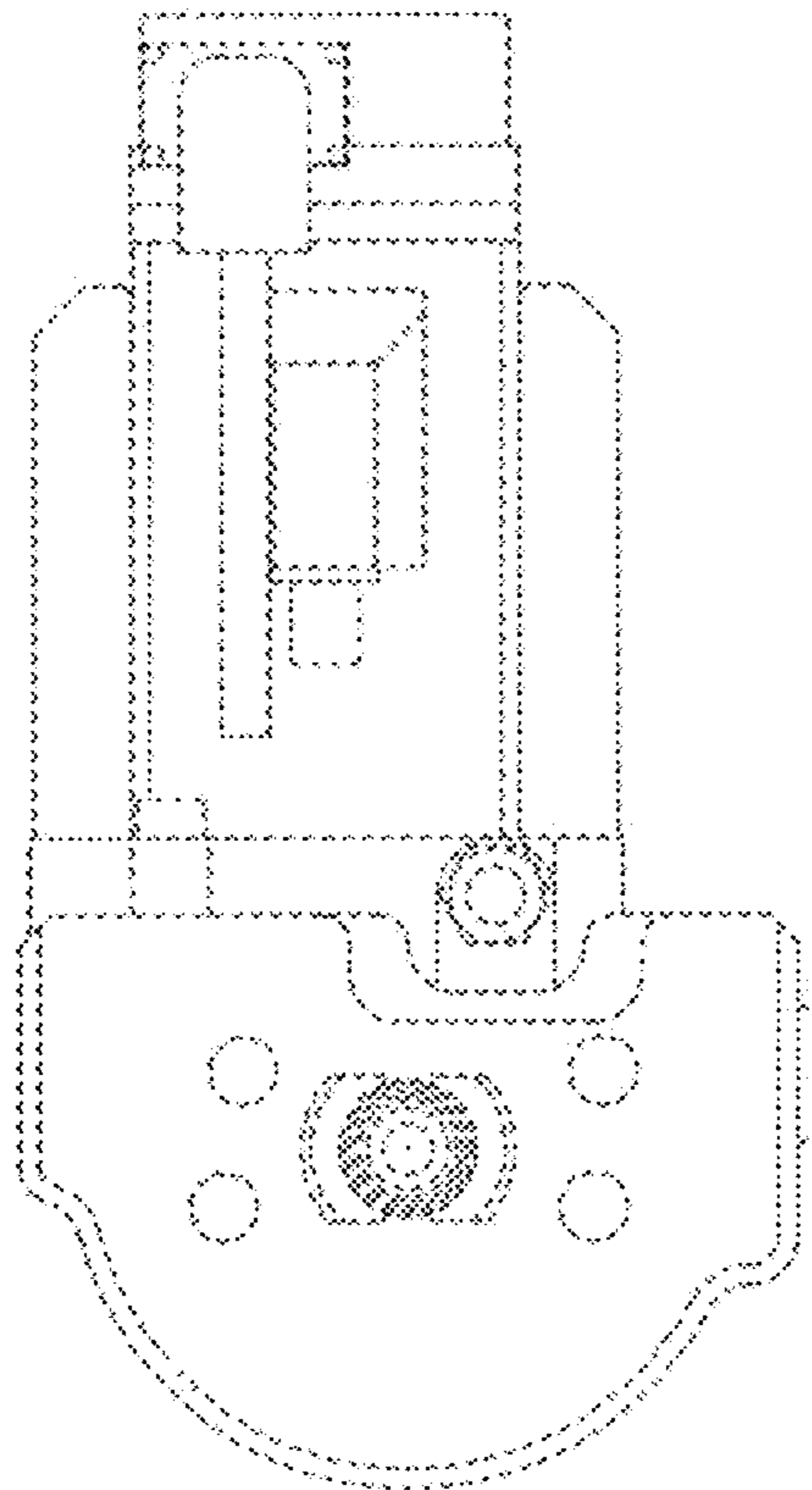




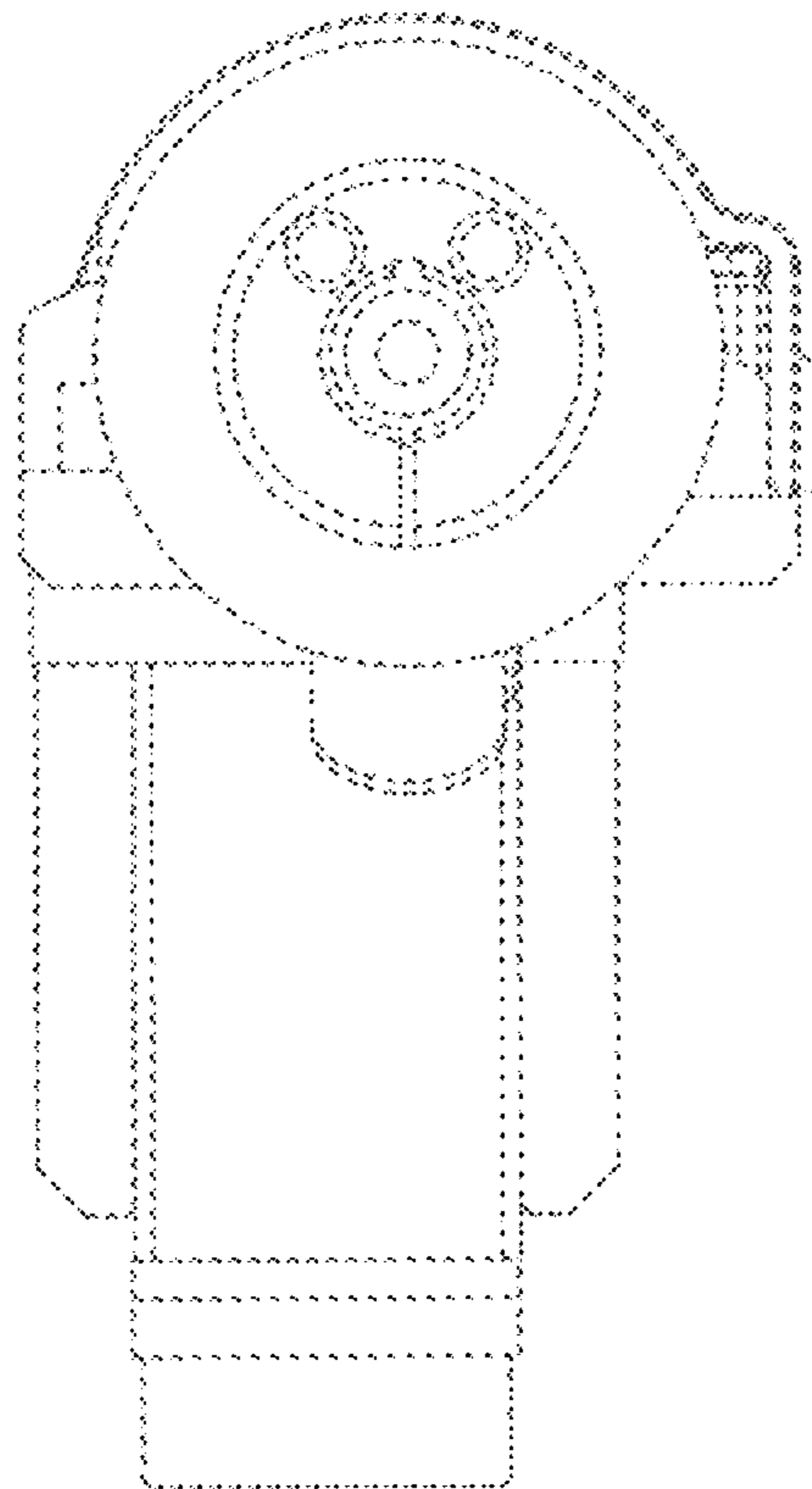
**FIG. 3**



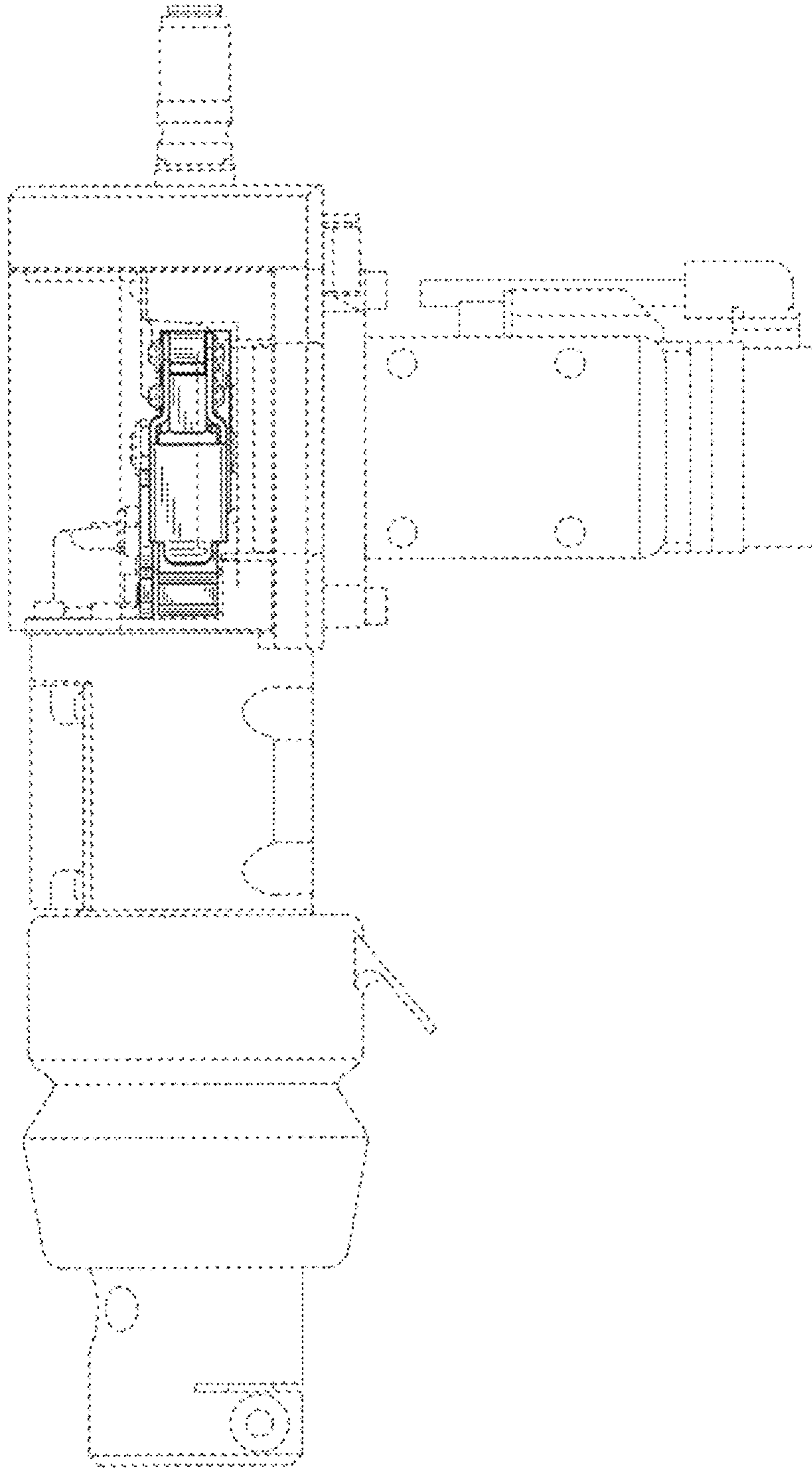
**FIG. 4**



**FIG. 5**

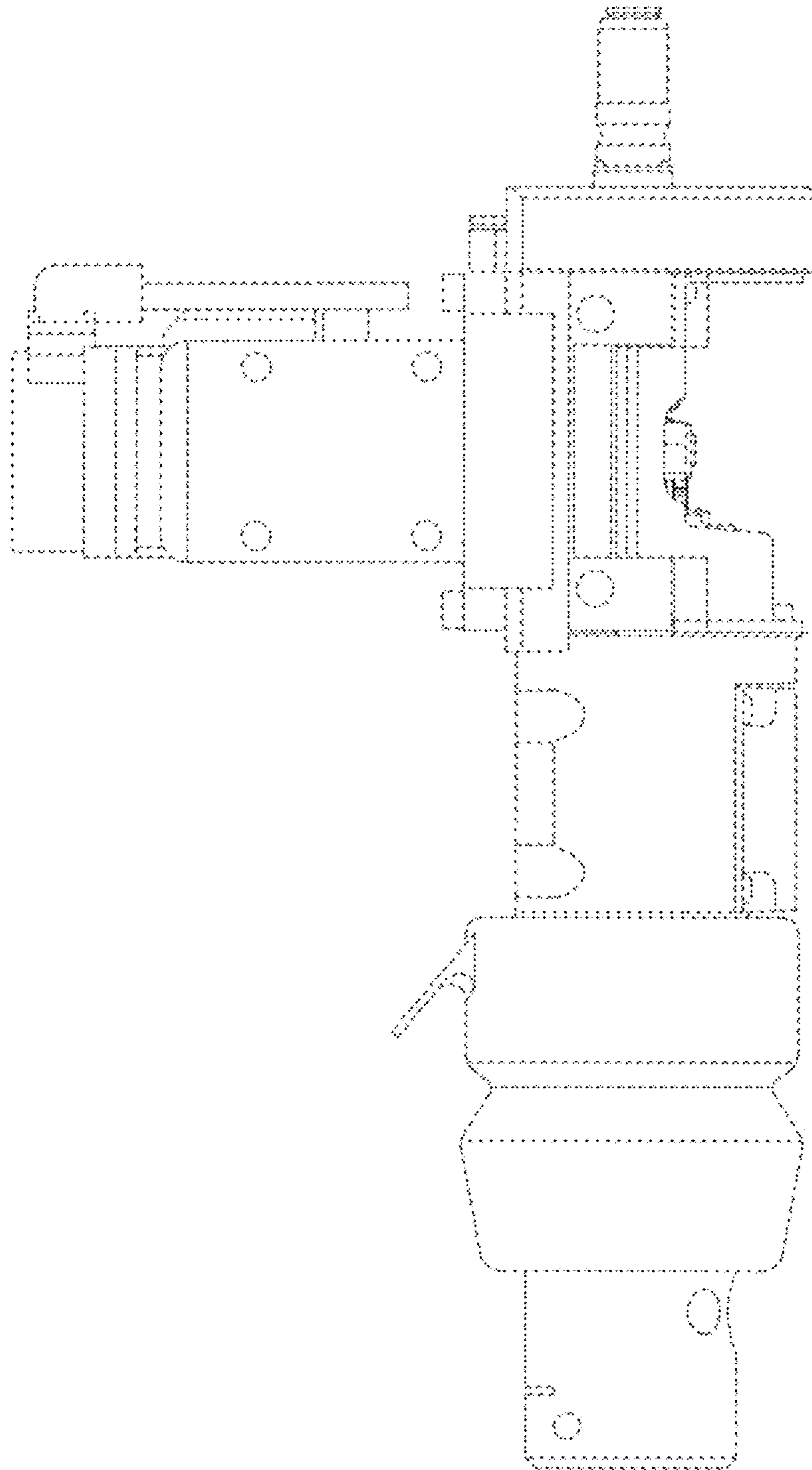


**FIG. 6**

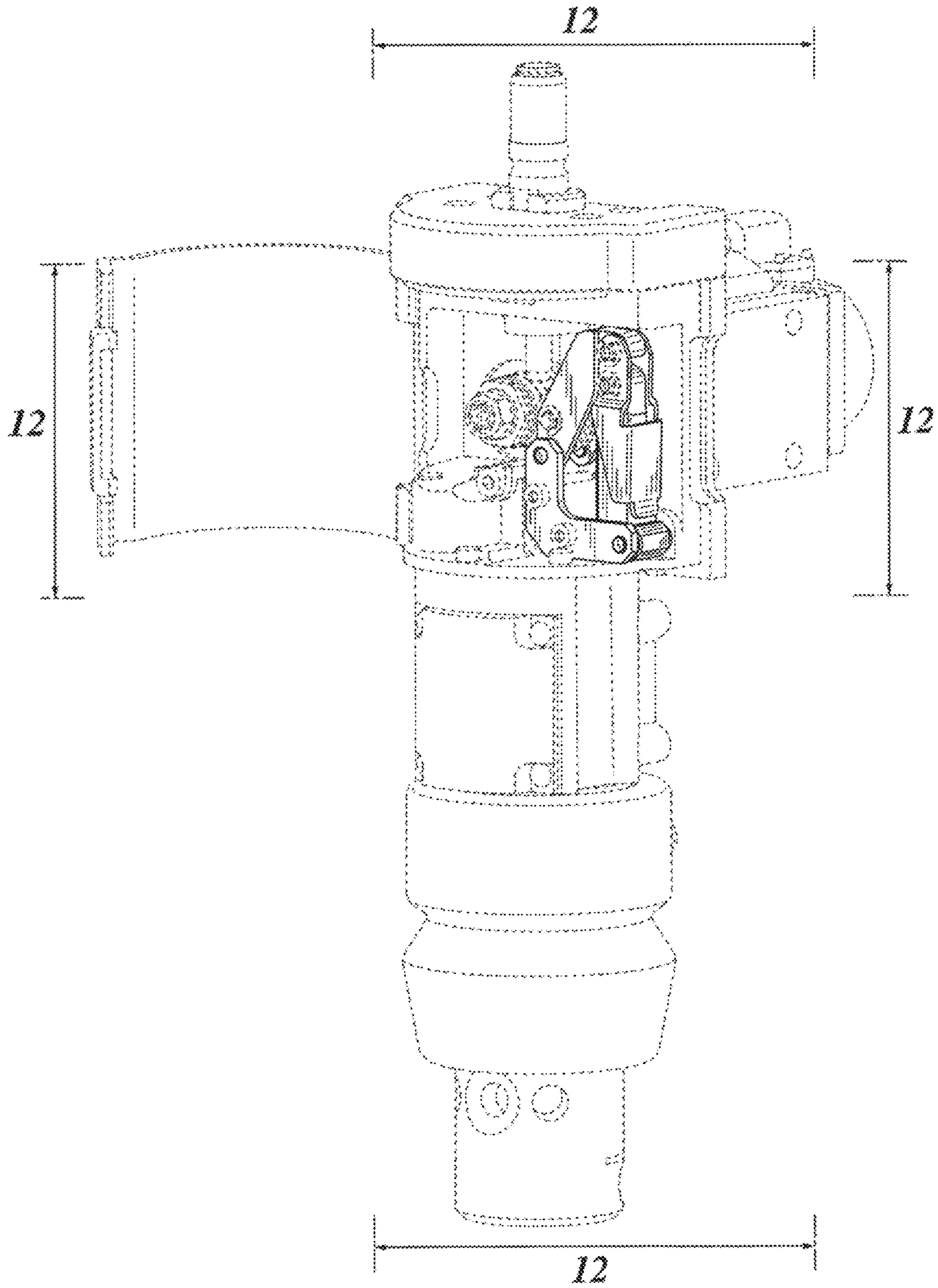




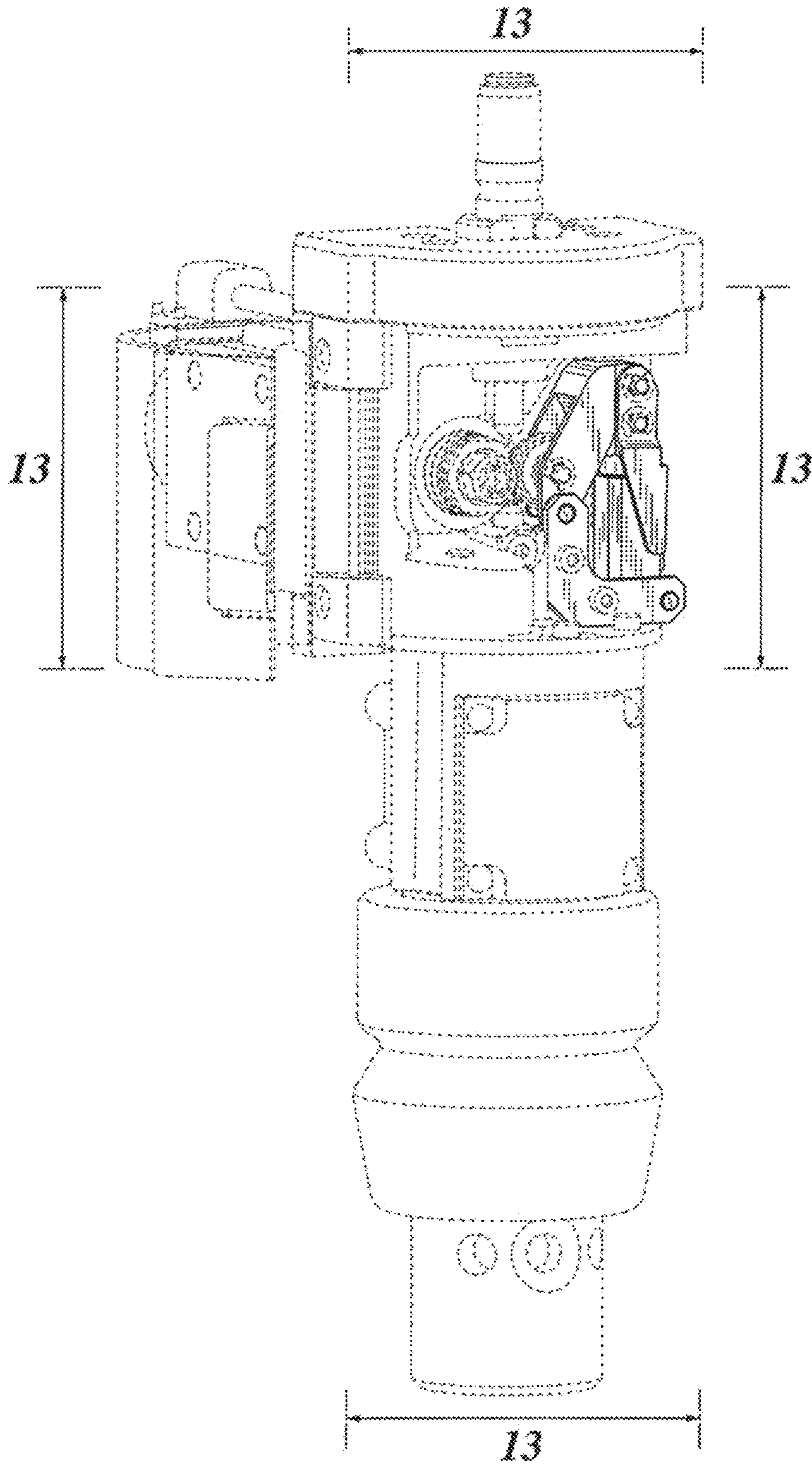
**FIG. 7**



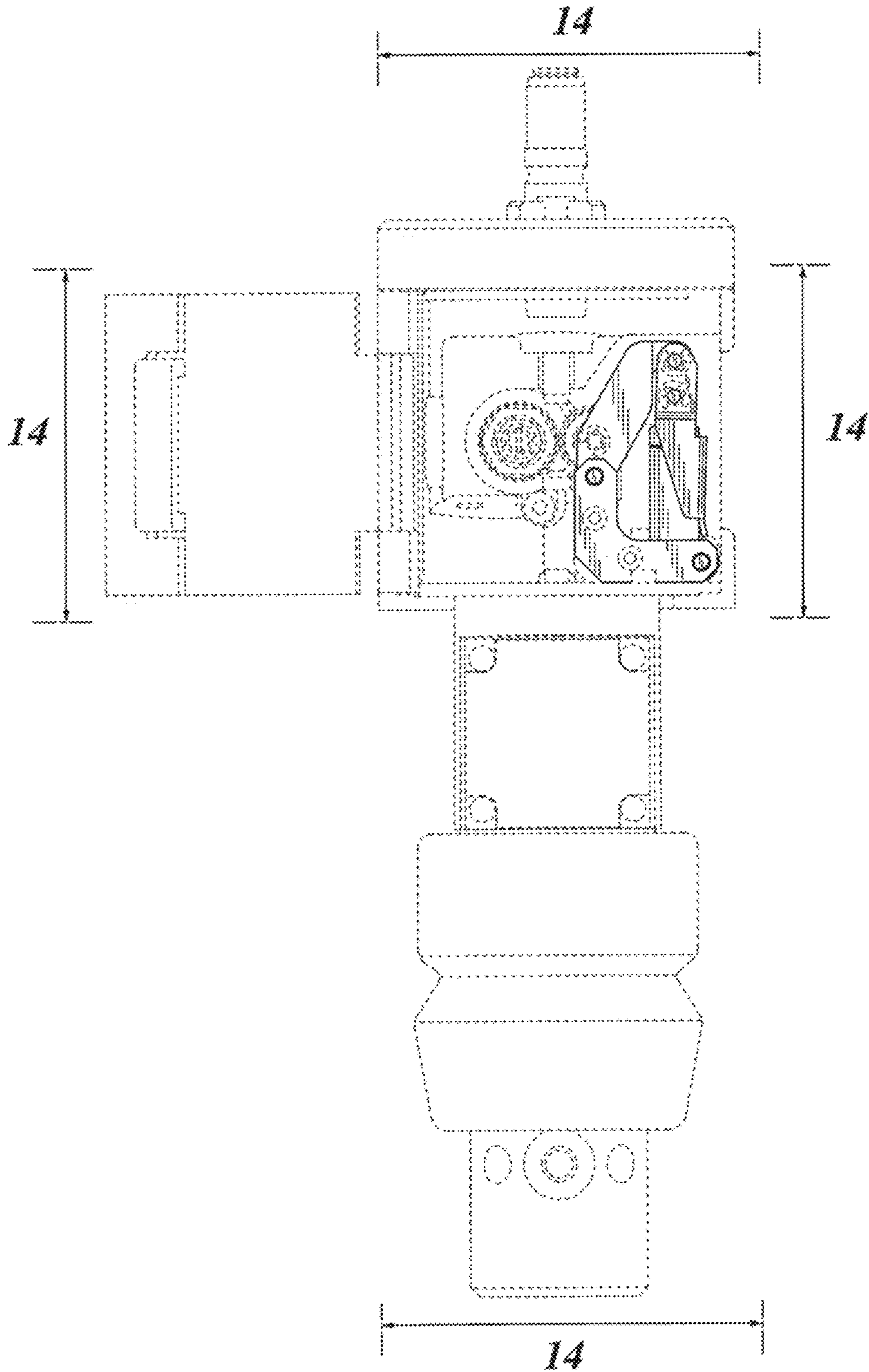
*FIG. 8*



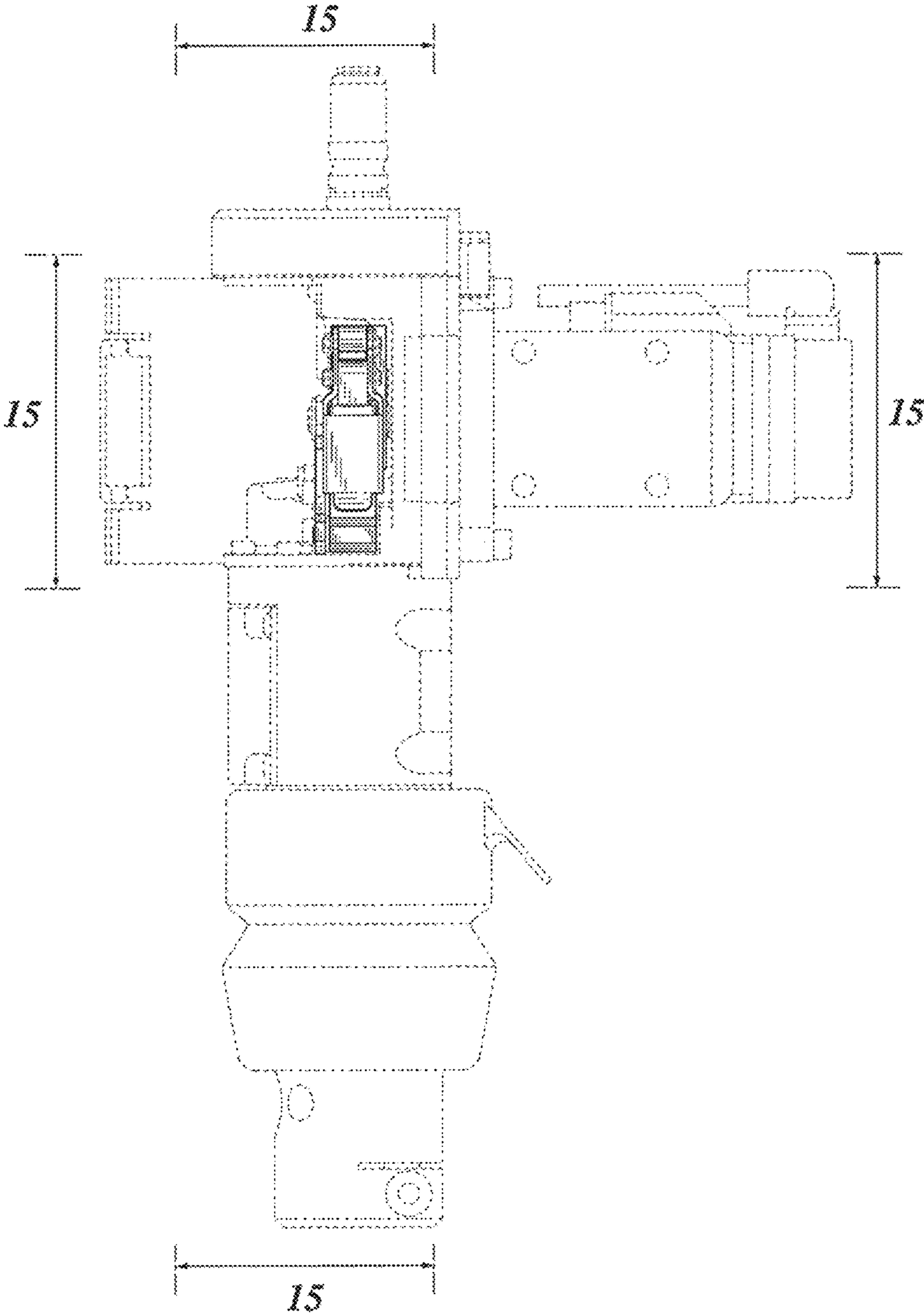
**FIG. 9**



**FIG. 10**

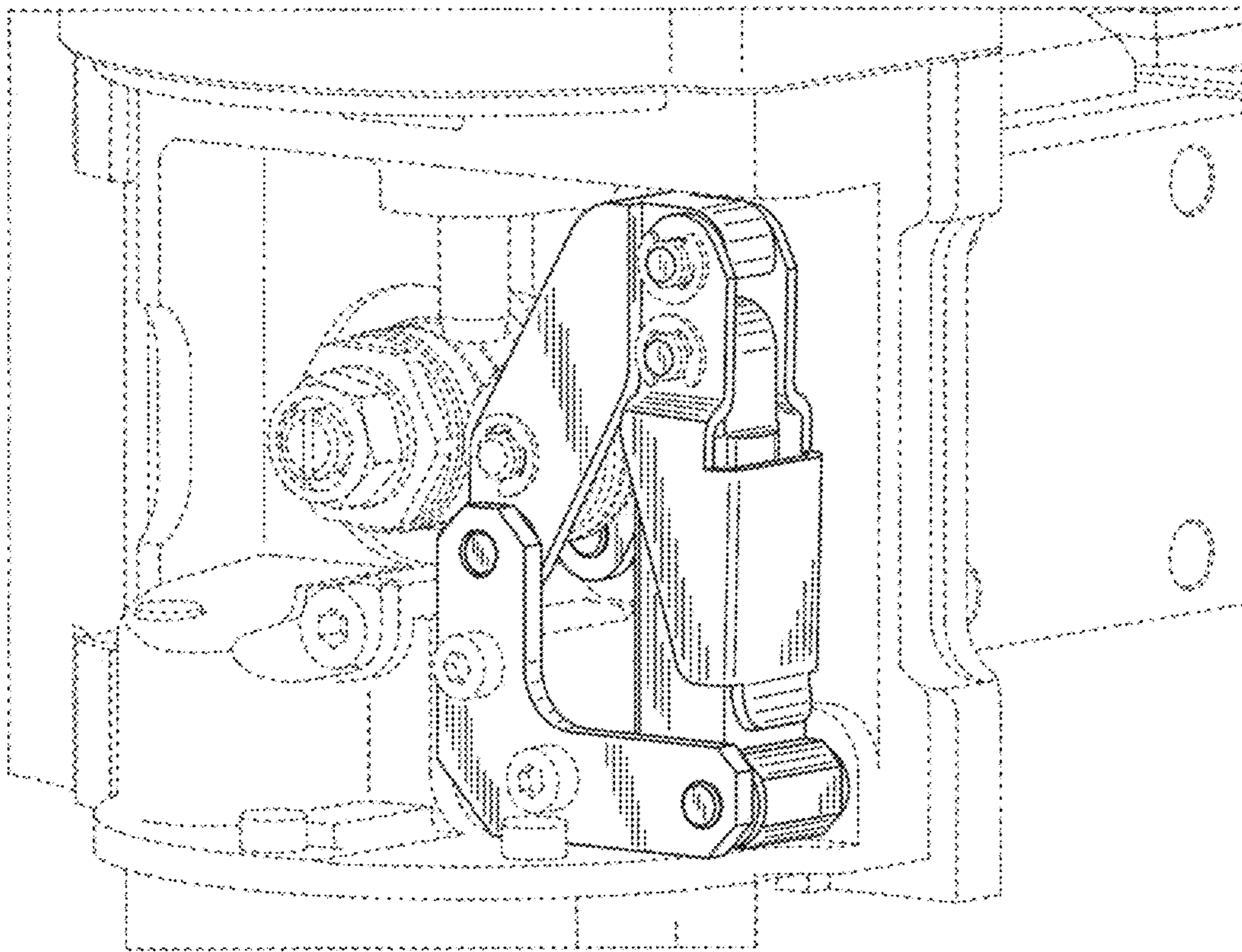


**FIG. 11**

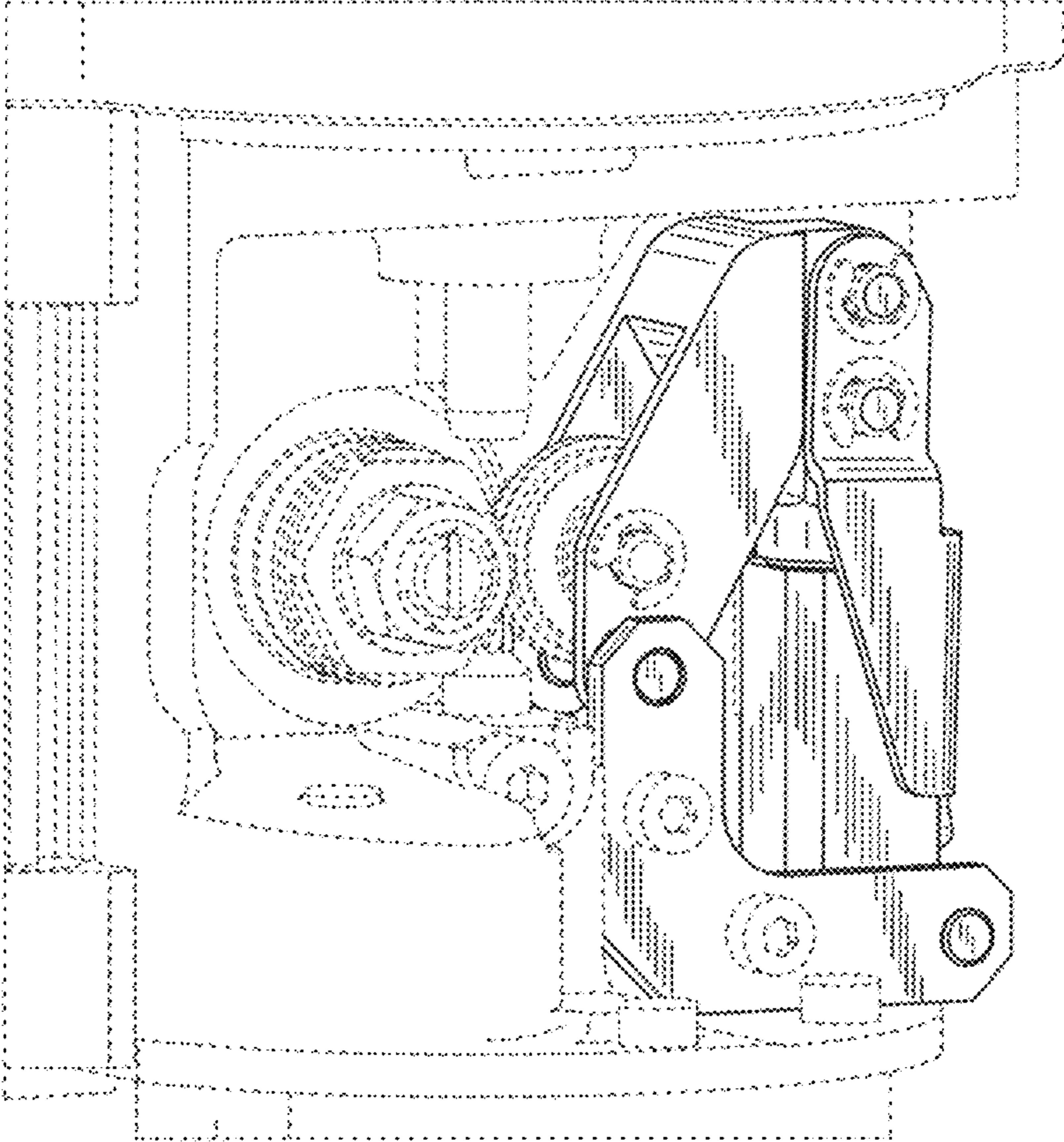




*FIG. 12*

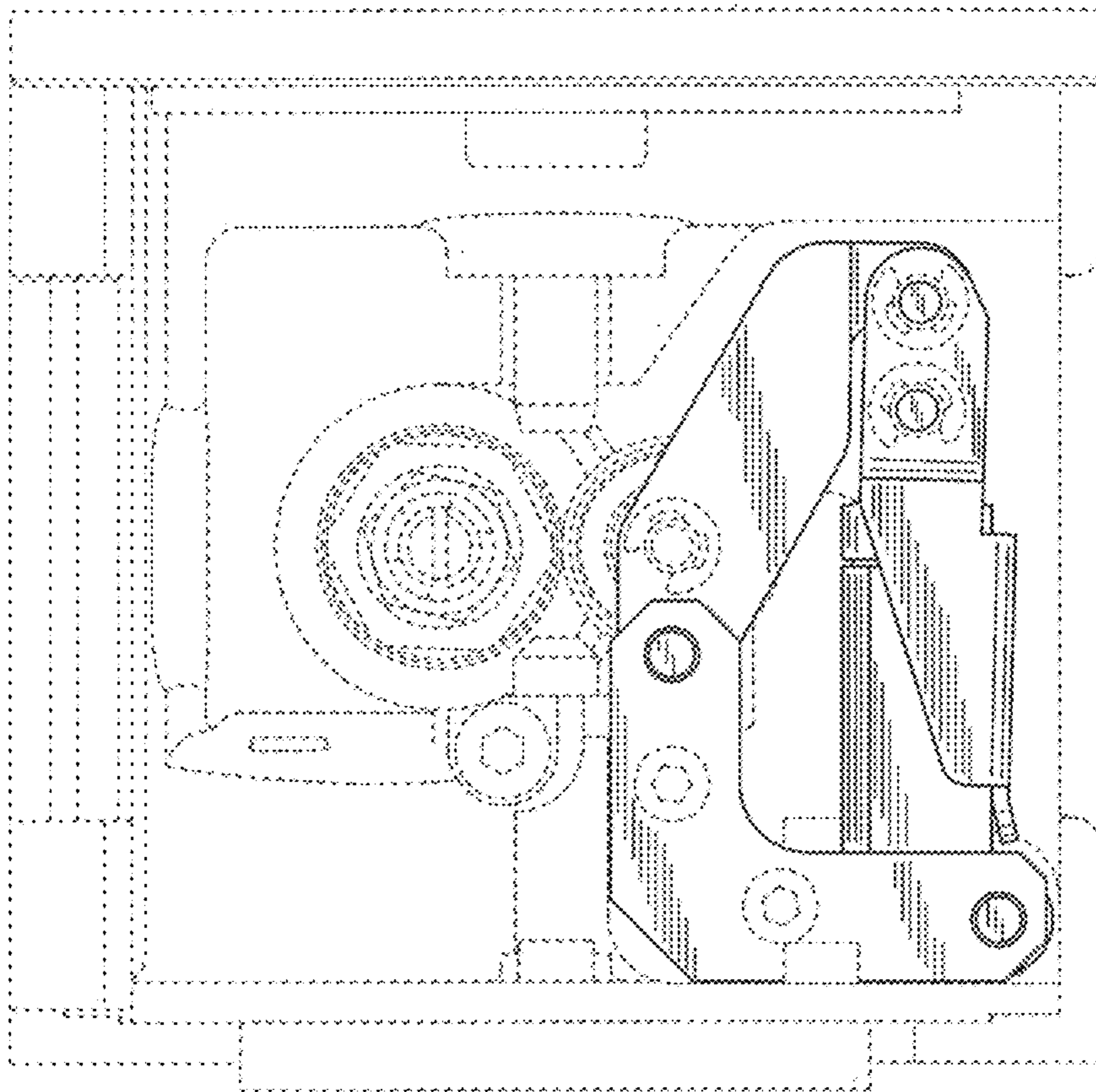


*FIG. 13*



**FIG. 14**

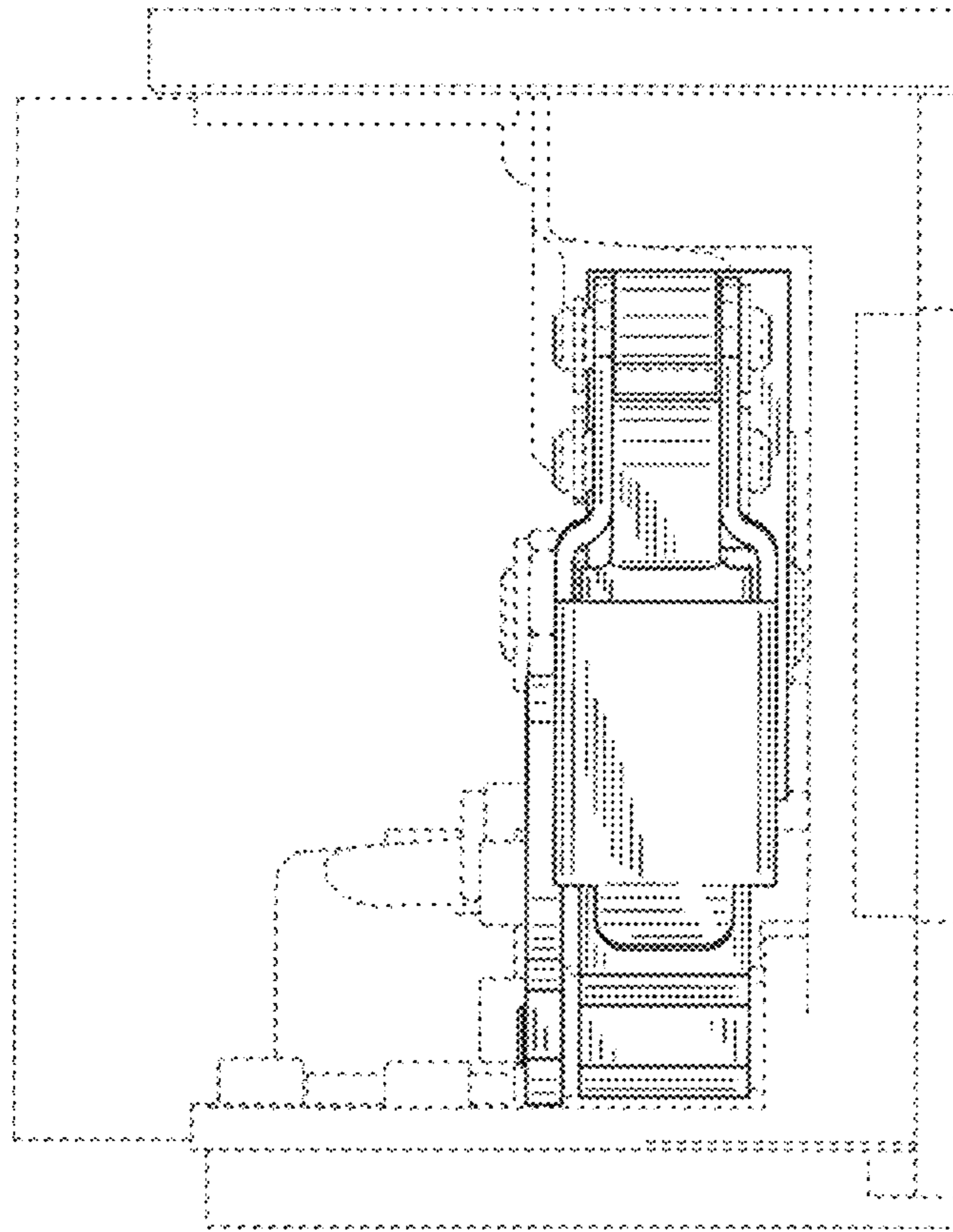
16



16

**FIG. 15**

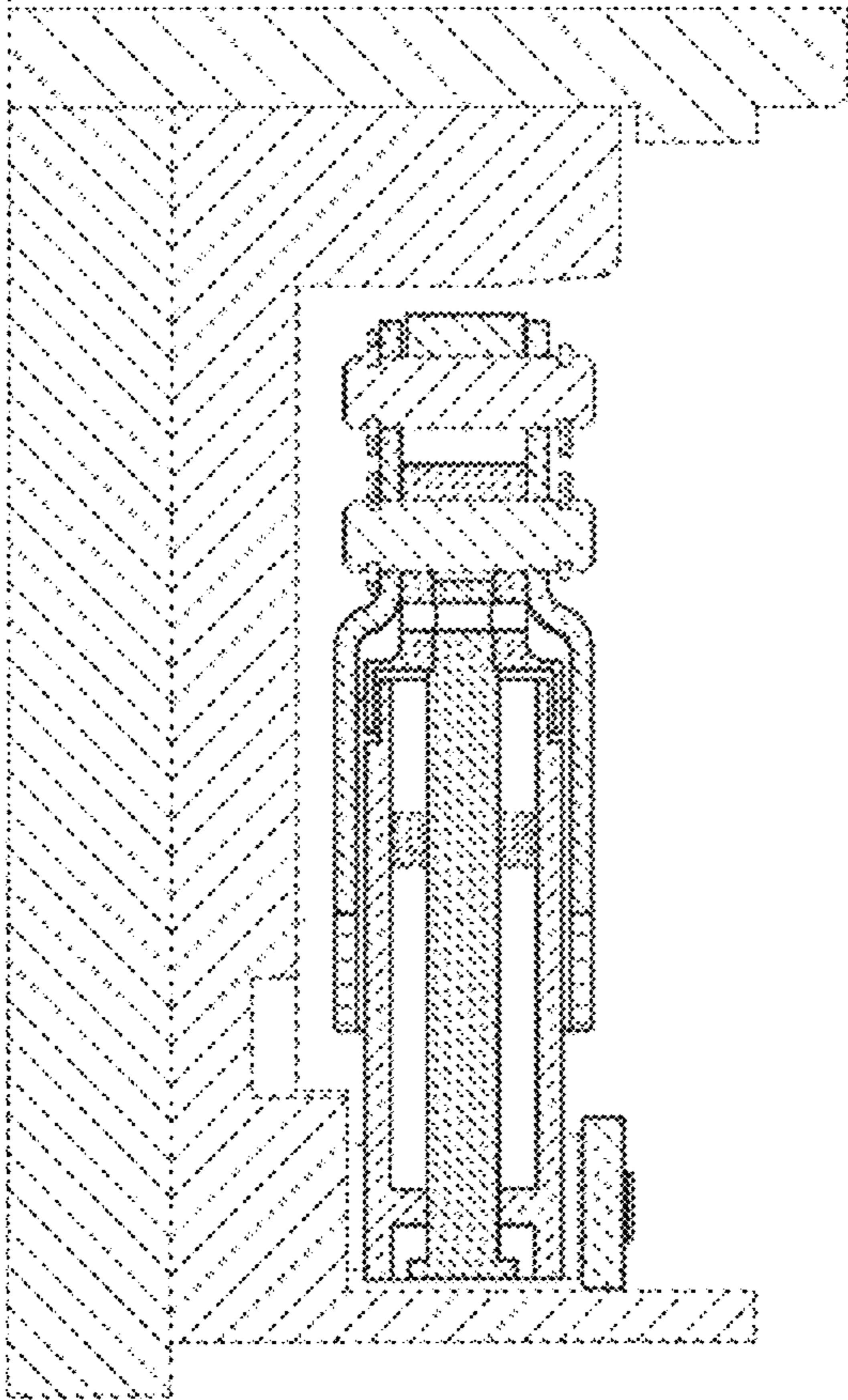
17 -



17 -



*FIG. 16*





*FIG. 17*

