



US00D783069S

(12) **United States Design Patent** (10) **Patent No.:** **US D783,069 S**
Fujii (45) **Date of Patent:** **** Apr. 4, 2017**

(54) **WIRE FEEDER FOR A WELDING ROBOT**

(71) Applicant: **Junzo Fujii**, Osaka (JP)

(72) Inventor: **Junzo Fujii**, Osaka (JP)

(73) Assignee: **Daihen Corporation**, Osaka (JP)

(**) Term: **15 Years**

(21) Appl. No.: **29/532,436**

(22) Filed: **Jul. 7, 2015**

(30) **Foreign Application Priority Data**

Jan. 9, 2015 (JP) 2015-000353

(51) **LOC (10) Cl.** **15-09**

(52) **U.S. Cl.**

USPC **D15/144; D15/199**

(58) **Field of Classification Search**

USPC D8/29.1, 30; D13/123, 133; D15/144,
D15/144.1, 144.2, 199; 219/424, 606;

(Continued)

(56) **References Cited**

U.S. PATENT DOCUMENTS

4,650,959 A * 3/1987 Swensrud B23K 9/1336
219/125.1

5,170,034 A * 12/1992 Seshimo G05B 19/4067
219/125.1

(Continued)

Primary Examiner — Patricia Palasik

(74) *Attorney, Agent, or Firm* — Faegre Baker Daniels
LLP

(57) **CLAIM**

The ornamental design for a wire feeder for a welding robot, as shown and described.

DESCRIPTION

FIG. 1 is a front, top, and right side perspective view of a wire feeder for a welding robot showing my new design;

FIG. 2 is a front view thereof;

FIG. 3 is a rear view thereof;

FIG. 4 is a top plan view thereof;

FIG. 5 is a bottom plan view thereof;

FIG. 6 is a right side view thereof;

FIG. 7 is a left side view thereof;

FIG. 8 is a first perspective view with a transparent cover opened.

FIG. 9 is a second perspective view with the transparent cover opened;

FIG. 10 is a front view with the transparent cover opened;

FIG. 11 is a right side view with the transparent cover opened;

FIG. 12 is an enlarged view defined by the lines labeled 12 in FIG. 8;

FIG. 13 is an enlarged view defined by the lines labeled 13 in FIG. 9;

FIG. 14 is an enlarged view defined by the lines labeled 14 in FIG. 10;

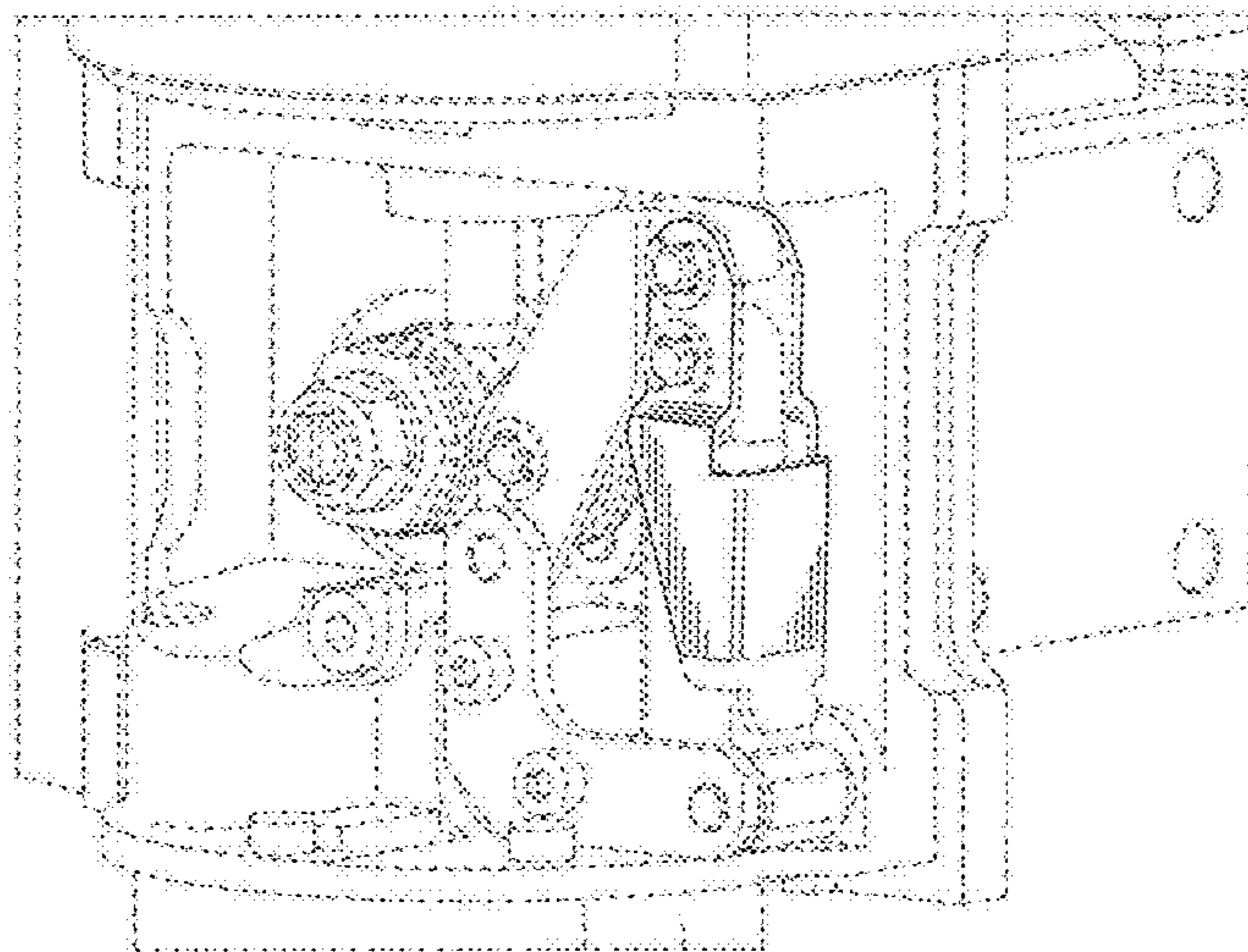
FIG. 15 is an enlarged view defined by the lines labeled 15 in FIG. 11;

FIG. 16 is an enlarged cross-sectional view taken along the line 16-16 in FIG. 14; and,

FIG. 17 is an enlarged cross-sectional view taken along the line 17-17 in FIG. 15.

The features shown in broken lines in the drawings depict environmental subject matter only and form no part of the claimed design. The dash-dotted lines denote the boundary of the claim and form no part of the claimed design. The cover shown in FIGS. 1, 2, and 6-11 is transparent.

1 Claim, 17 Drawing Sheets



(58) **Field of Classification Search**

USPC ... 222/152, 156, 189.06, 397; 228/8, 20, 51,
228/111.5

See application file for complete search history.

(56) **References Cited**

U.S. PATENT DOCUMENTS

D433,040 S * 10/2000 Kriek D15/144.2
D434,428 S * 11/2000 Kriek D15/144.2
6,479,795 B1 * 11/2002 Albrecht B23K 9/124
219/136
D569,884 S * 5/2008 Shu D15/144
7,427,726 B2 * 9/2008 Enyedy B23K 9/1336
219/136
D590,852 S * 4/2009 Killion D15/144
8,003,916 B2 * 8/2011 Ohara B23K 9/133
219/124.34
D653,271 S * 1/2012 Kindig D15/144
8,288,687 B2 * 10/2012 Inoue B23K 9/295
219/125.1
8,575,517 B2 * 11/2013 Ertmer B23K 9/1336
219/137.2
D727,986 S * 4/2015 Matiash D15/144
D752,666 S * 3/2016 Ge D15/144
2004/0169021 A1 * 9/2004 Baker B23K 26/0096
219/121.63
2007/0284352 A1 * 12/2007 Lynaugh B23K 9/323
219/137.2
2008/0156783 A1 * 7/2008 Vanden Heuvel B23K 9/125
219/137.2
2009/0166345 A1 * 7/2009 Enyedy B23K 9/1006
219/137.2

* cited by examiner

FIG. 1

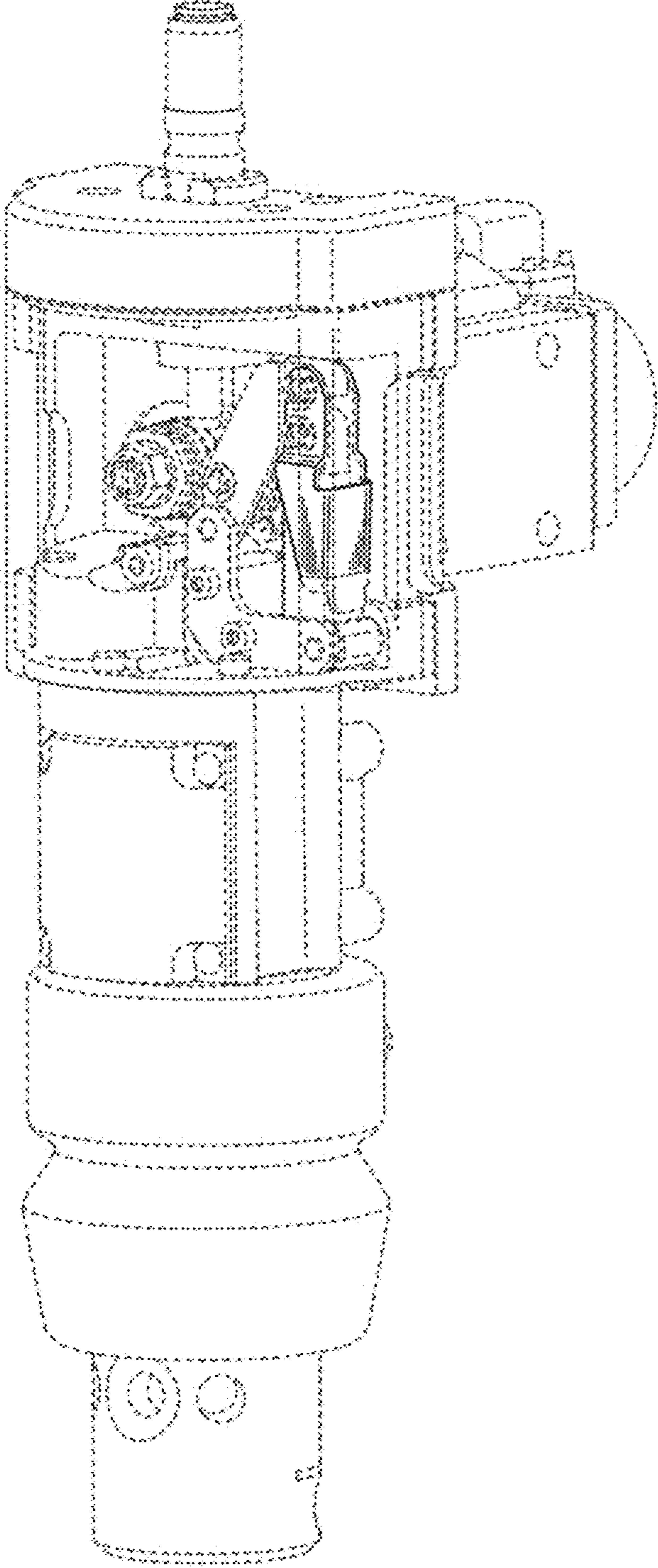


FIG. 2

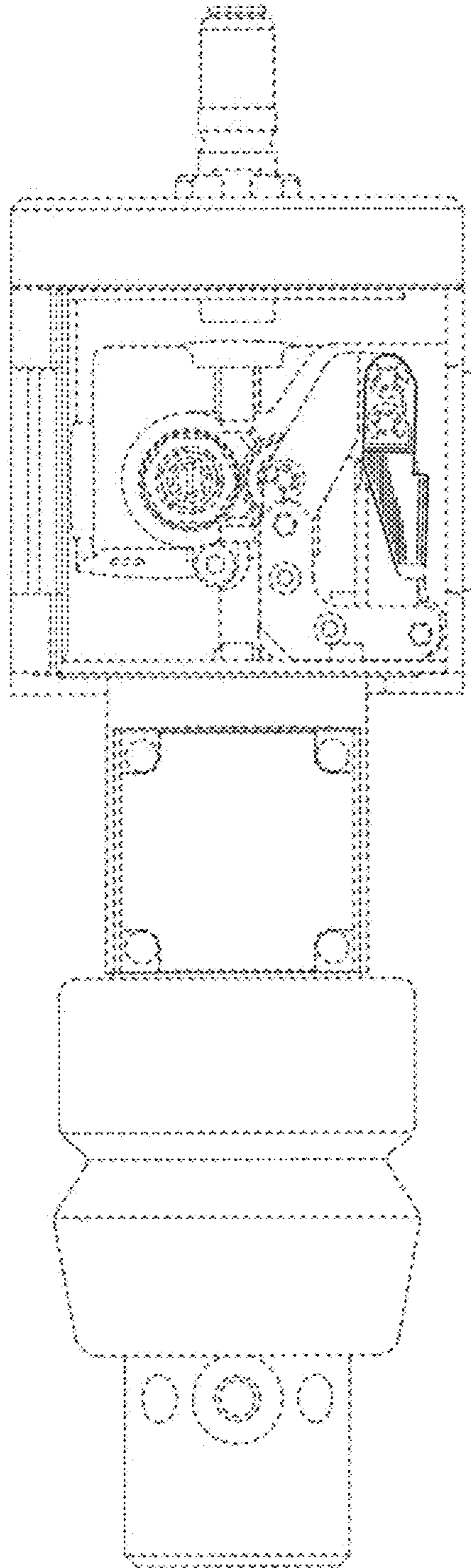


FIG. 3

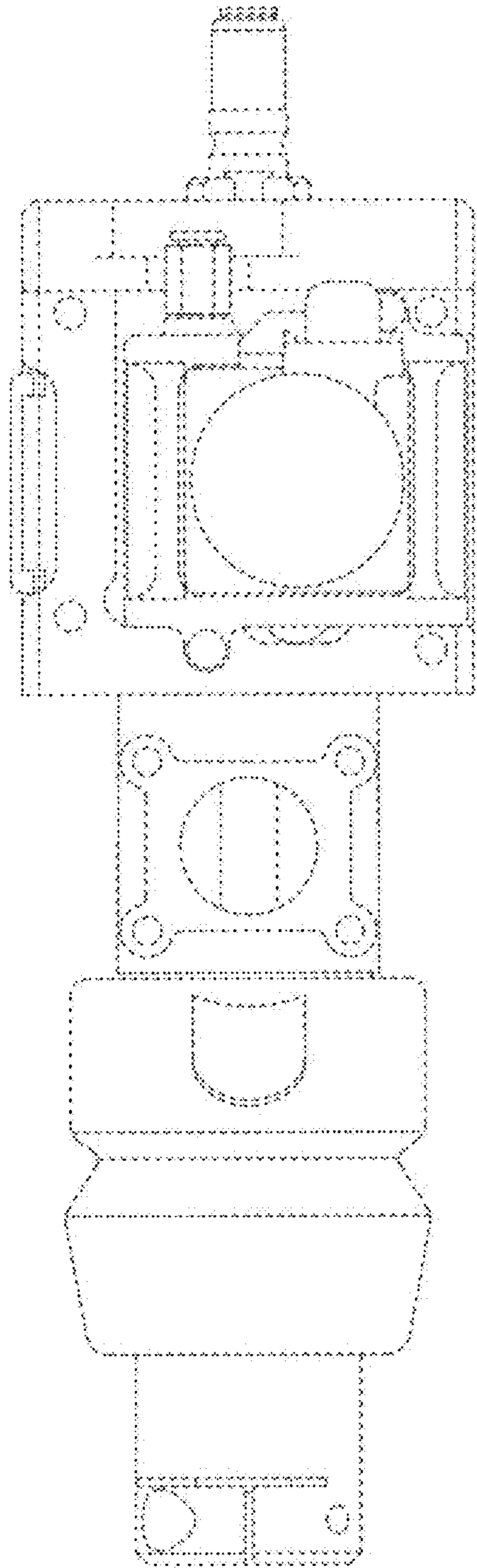


FIG. 4

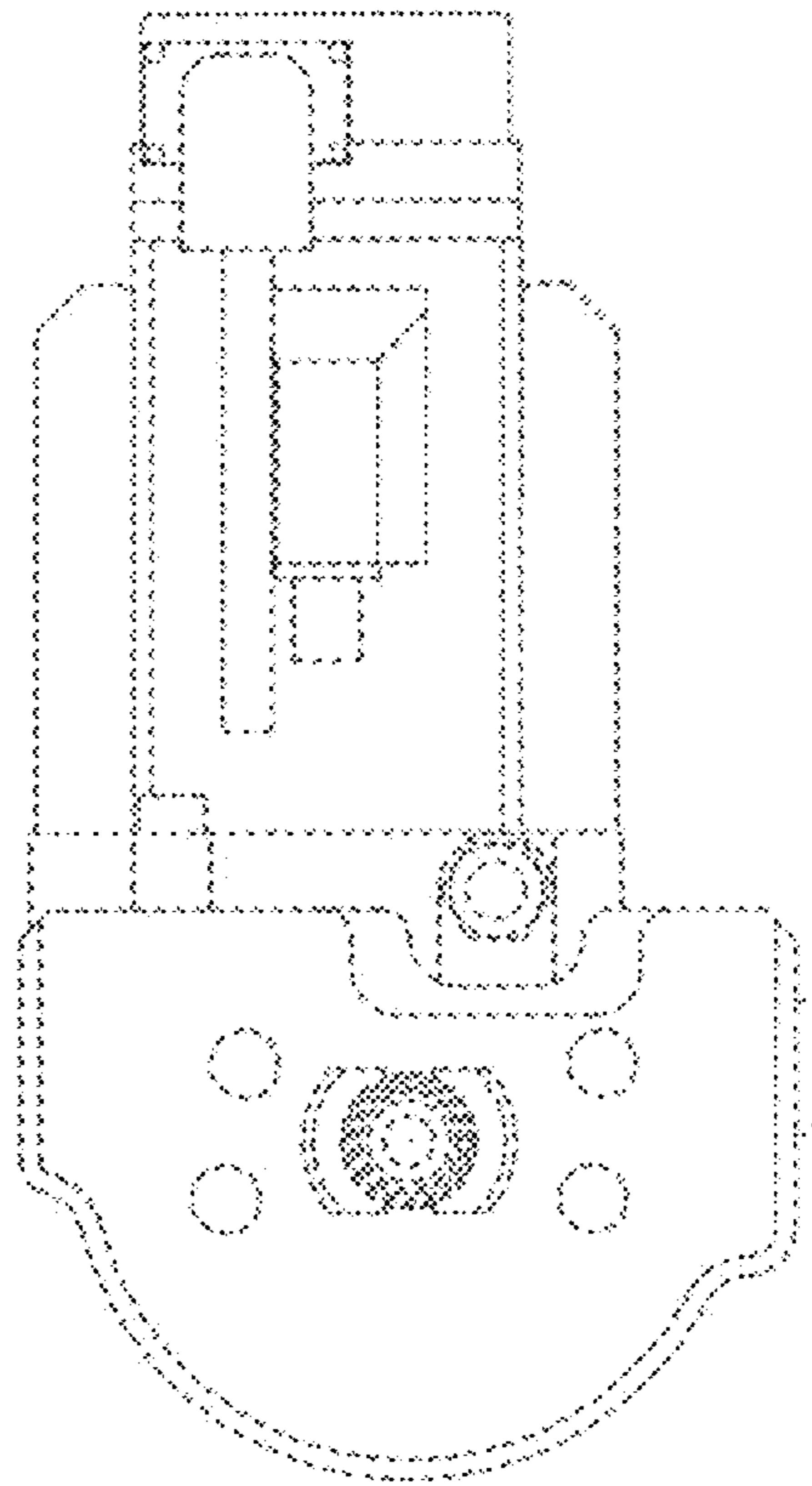


FIG. 5

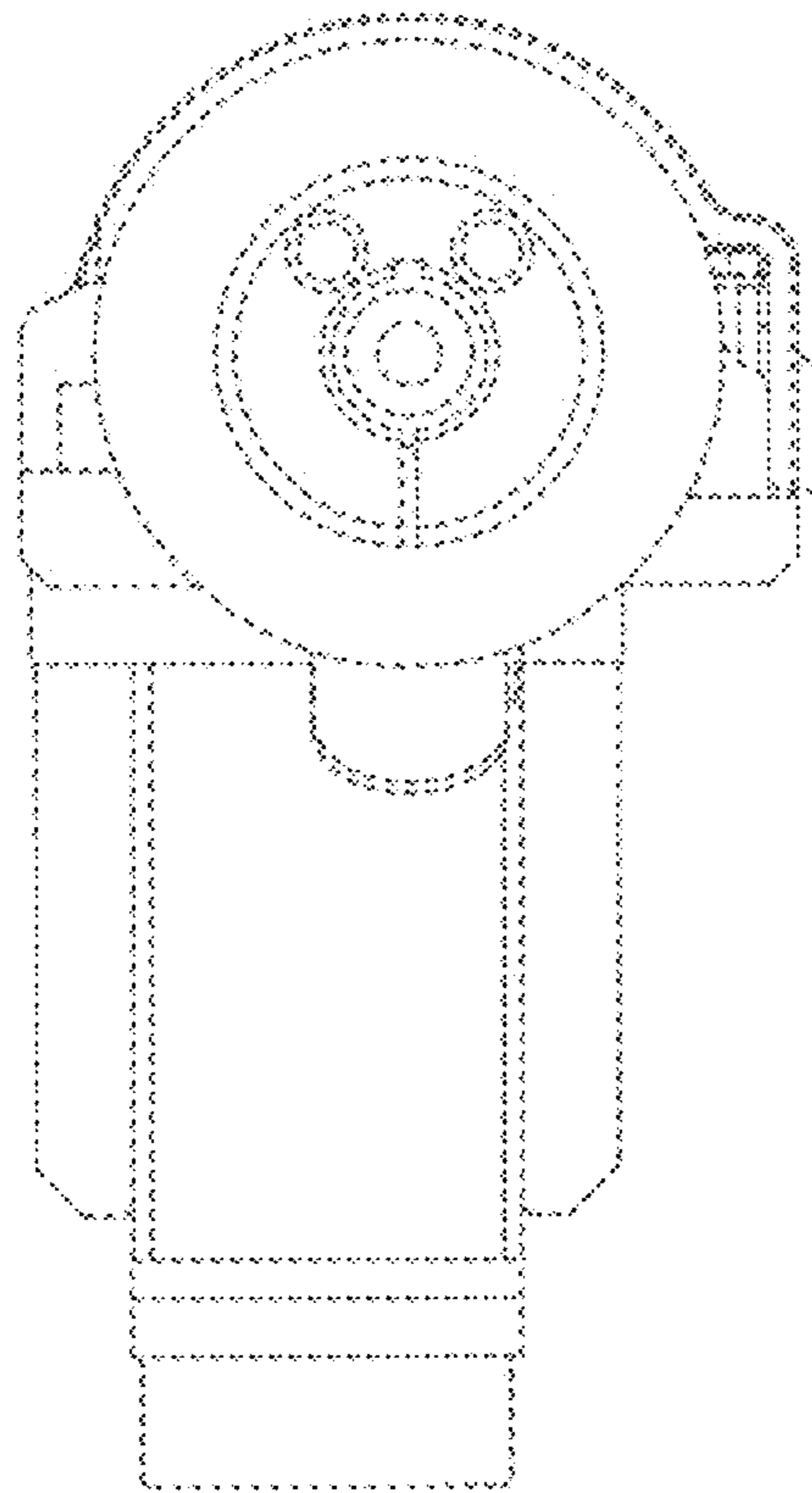


FIG. 6

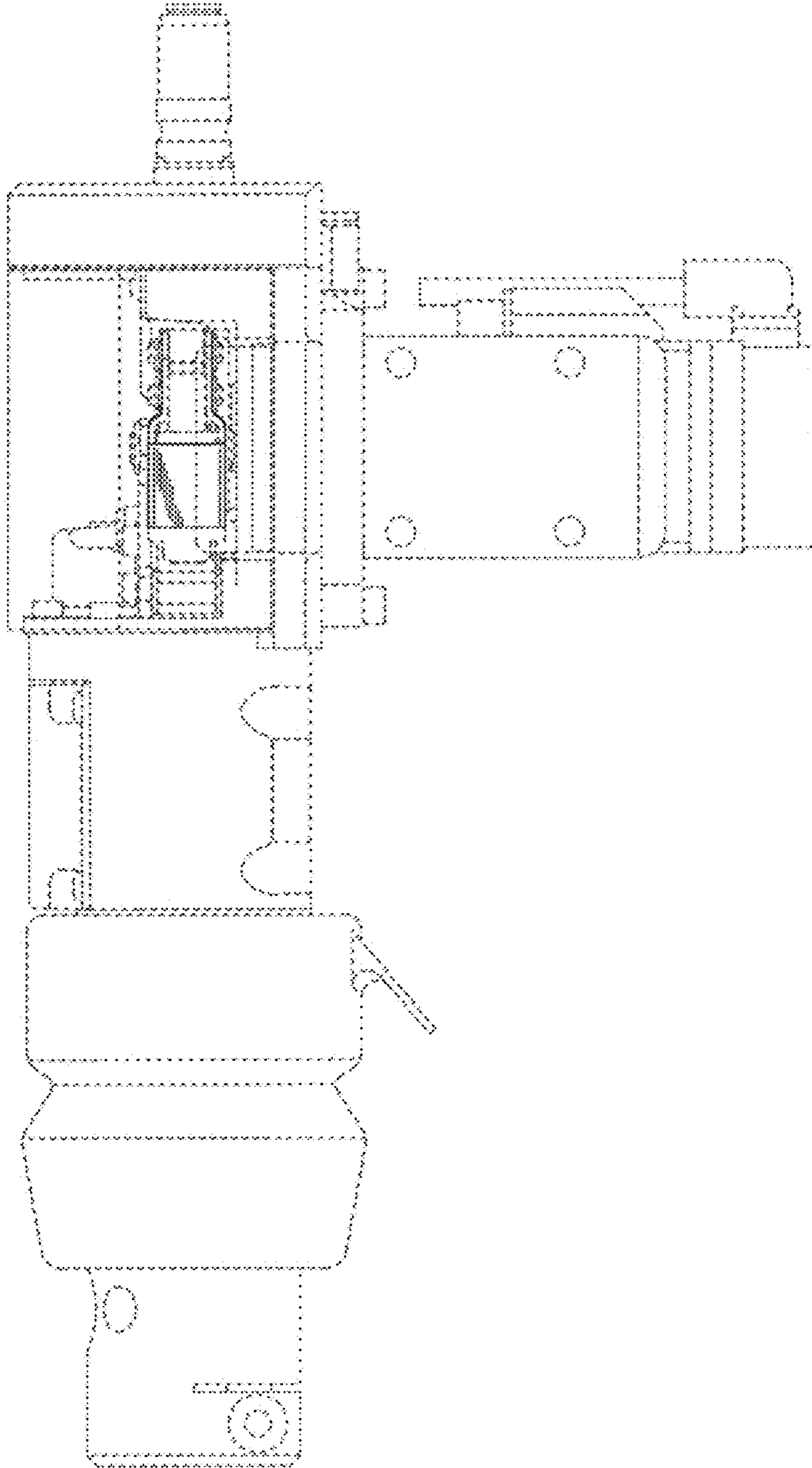


FIG. 7

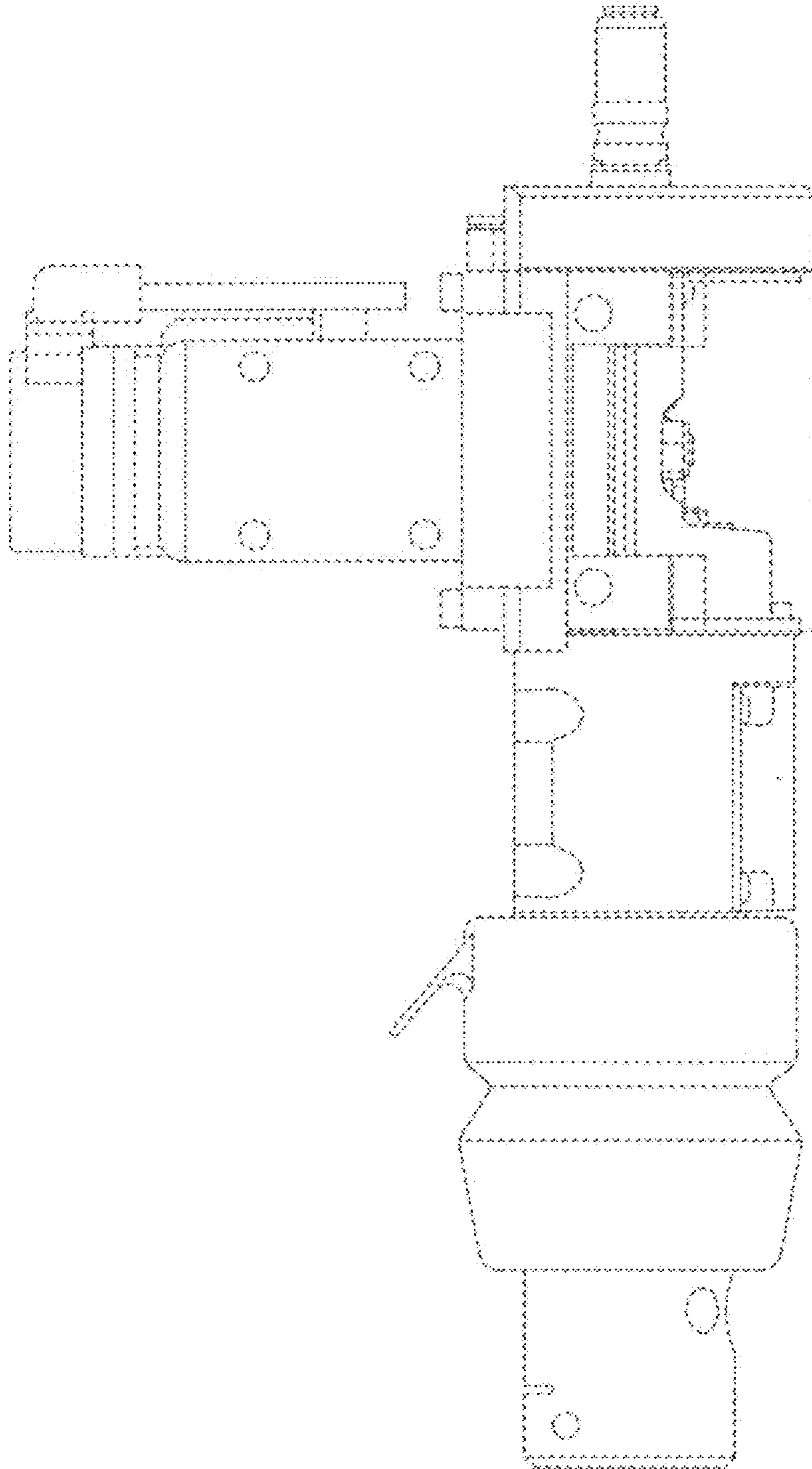


FIG. 8

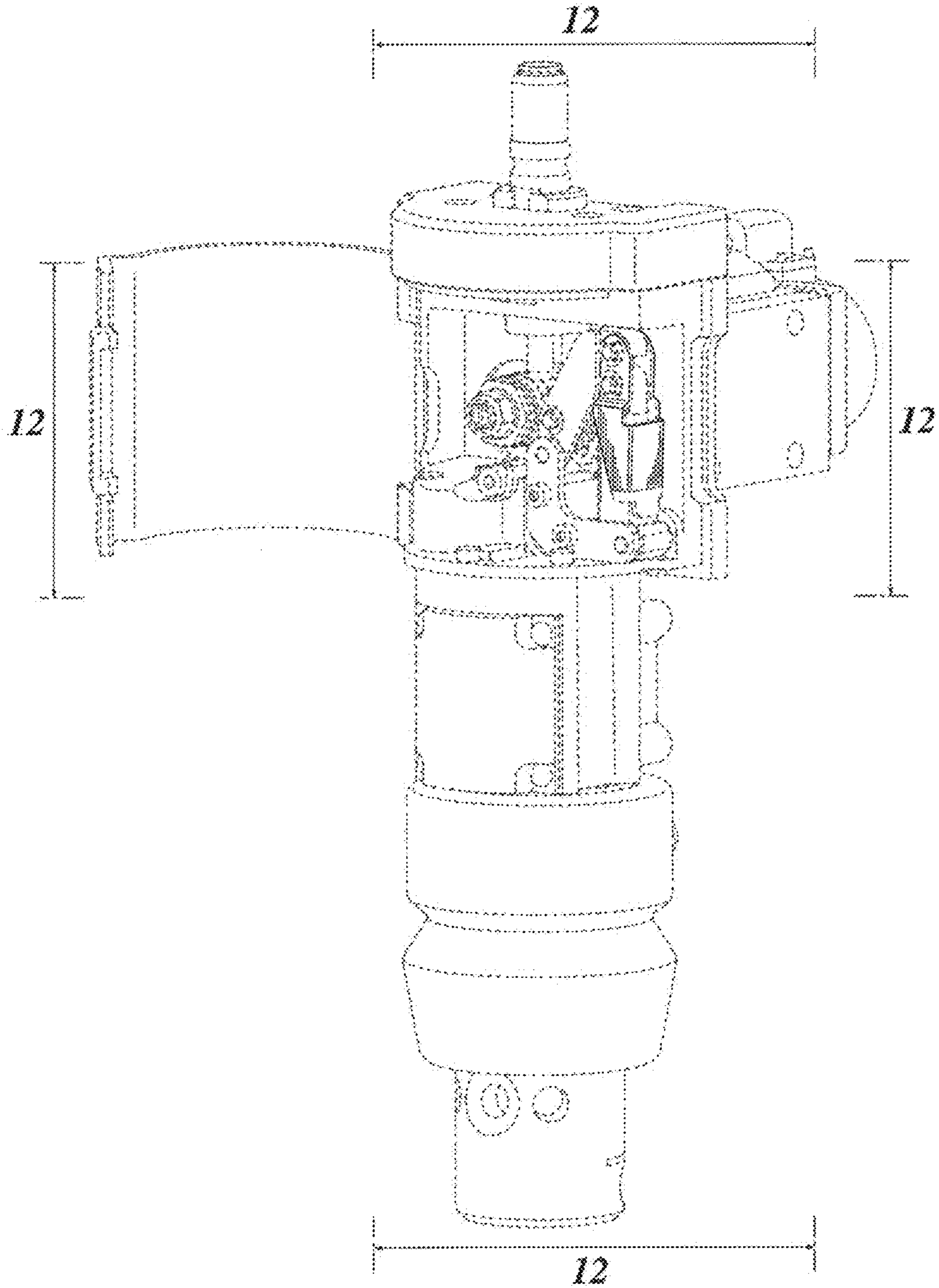


FIG. 9

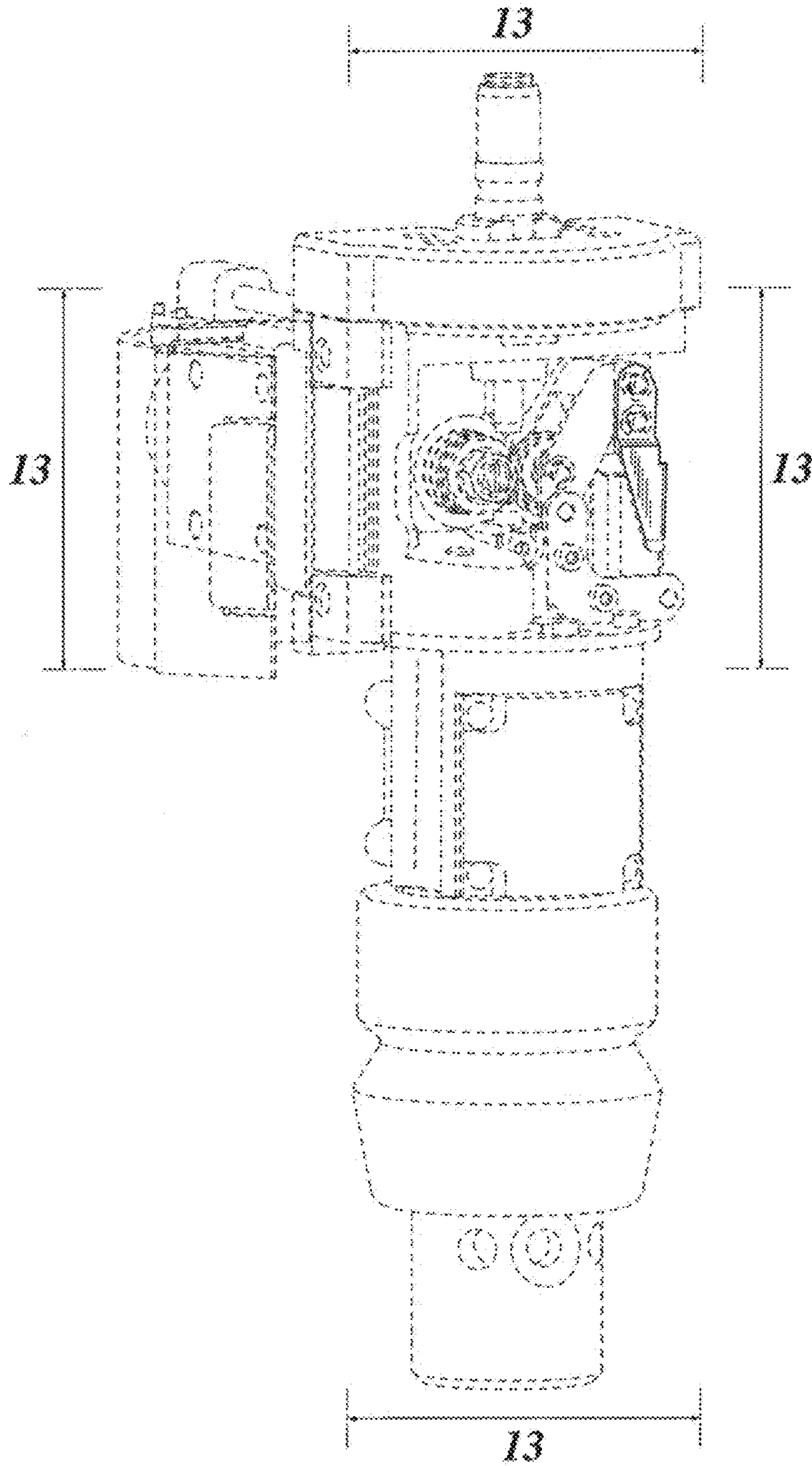


FIG. 10

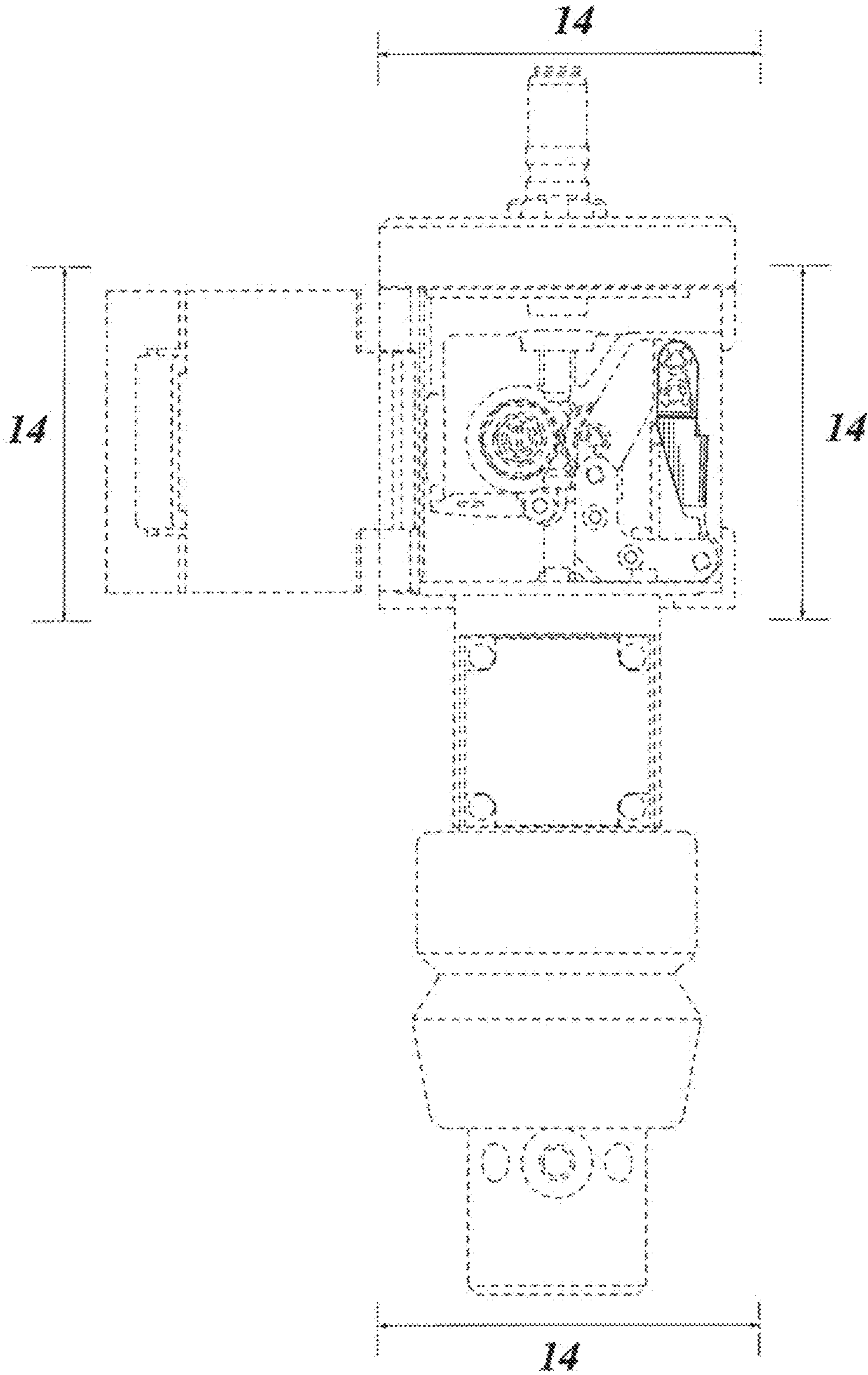


FIG. 11

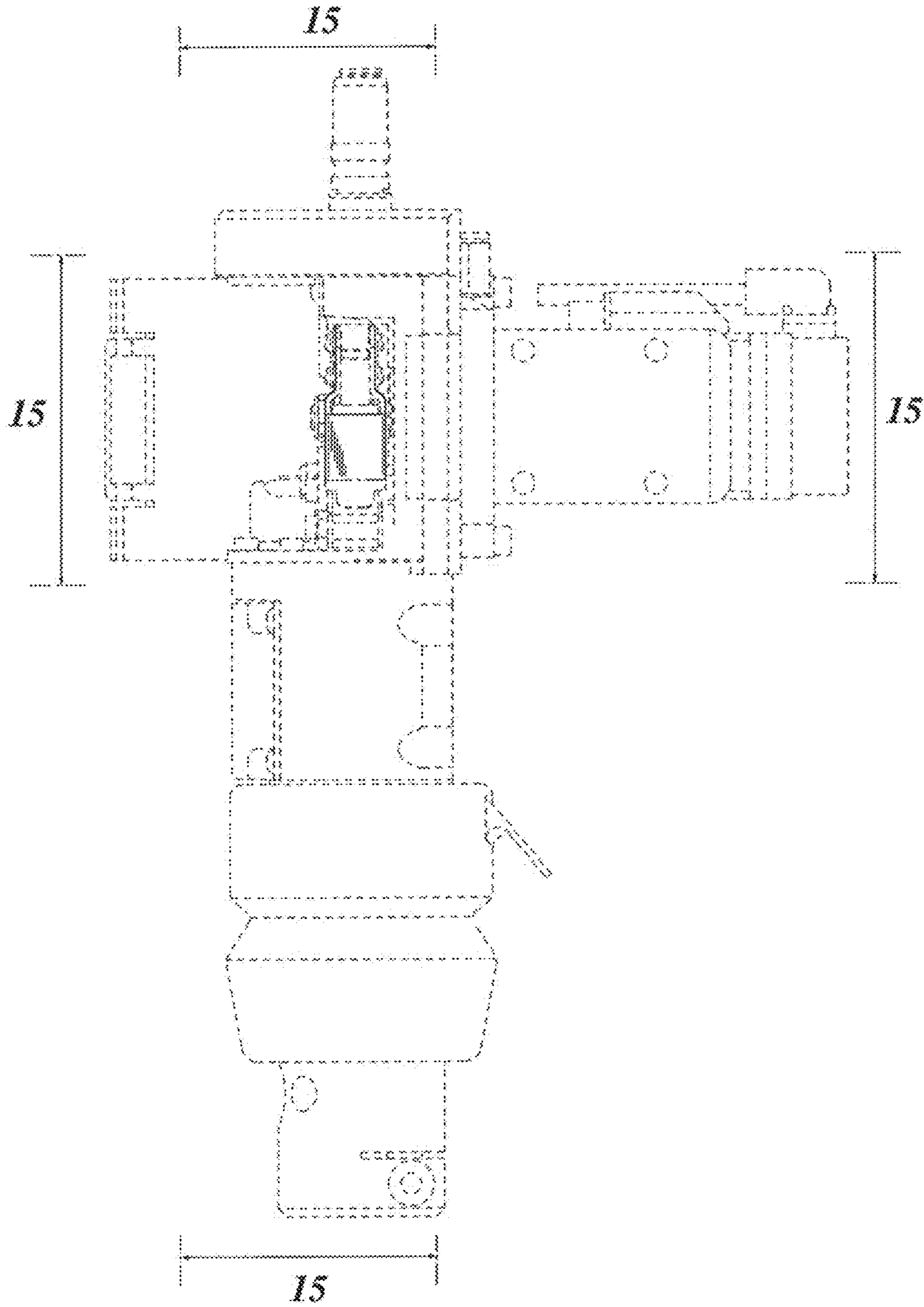


FIG. 12

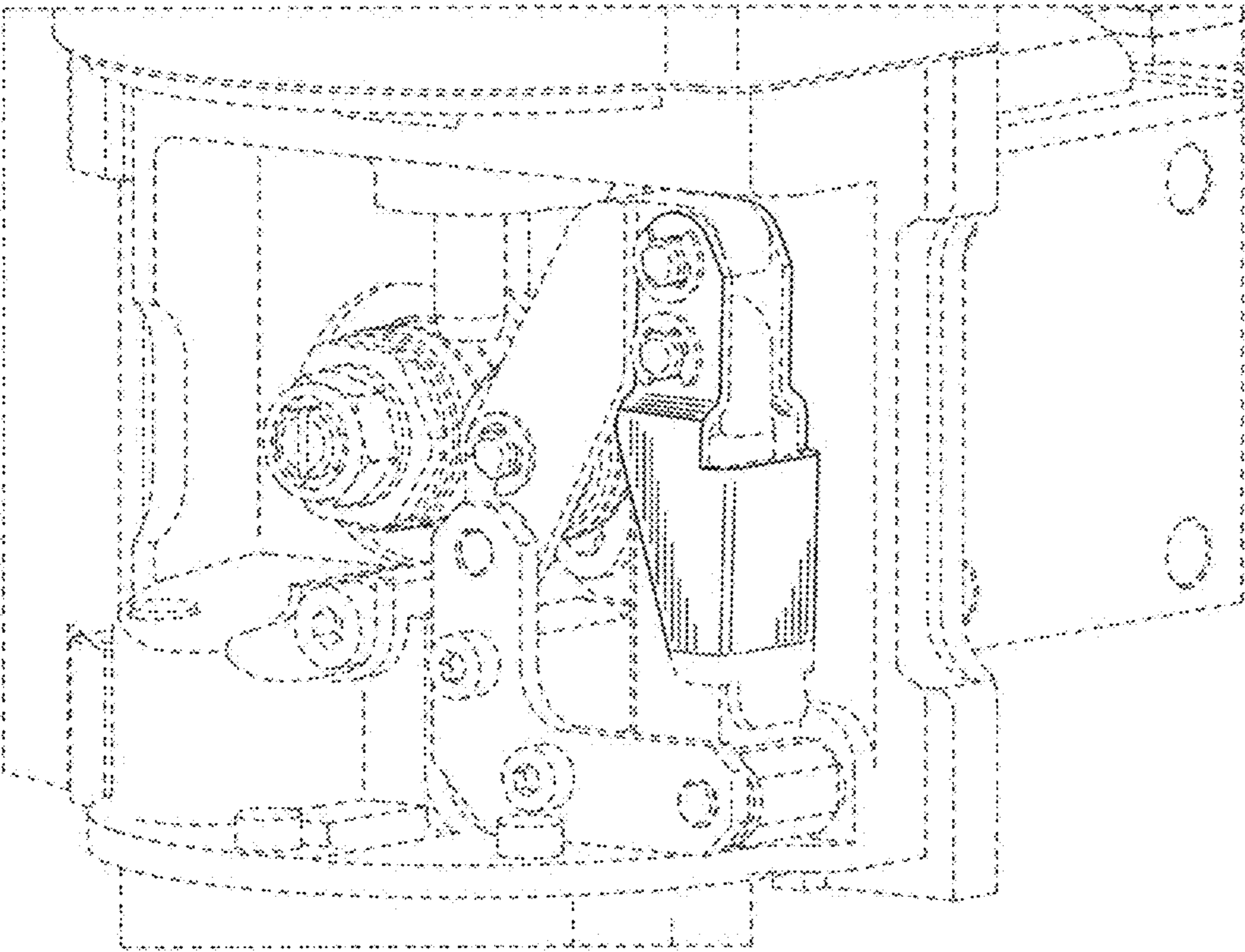


FIG. 13

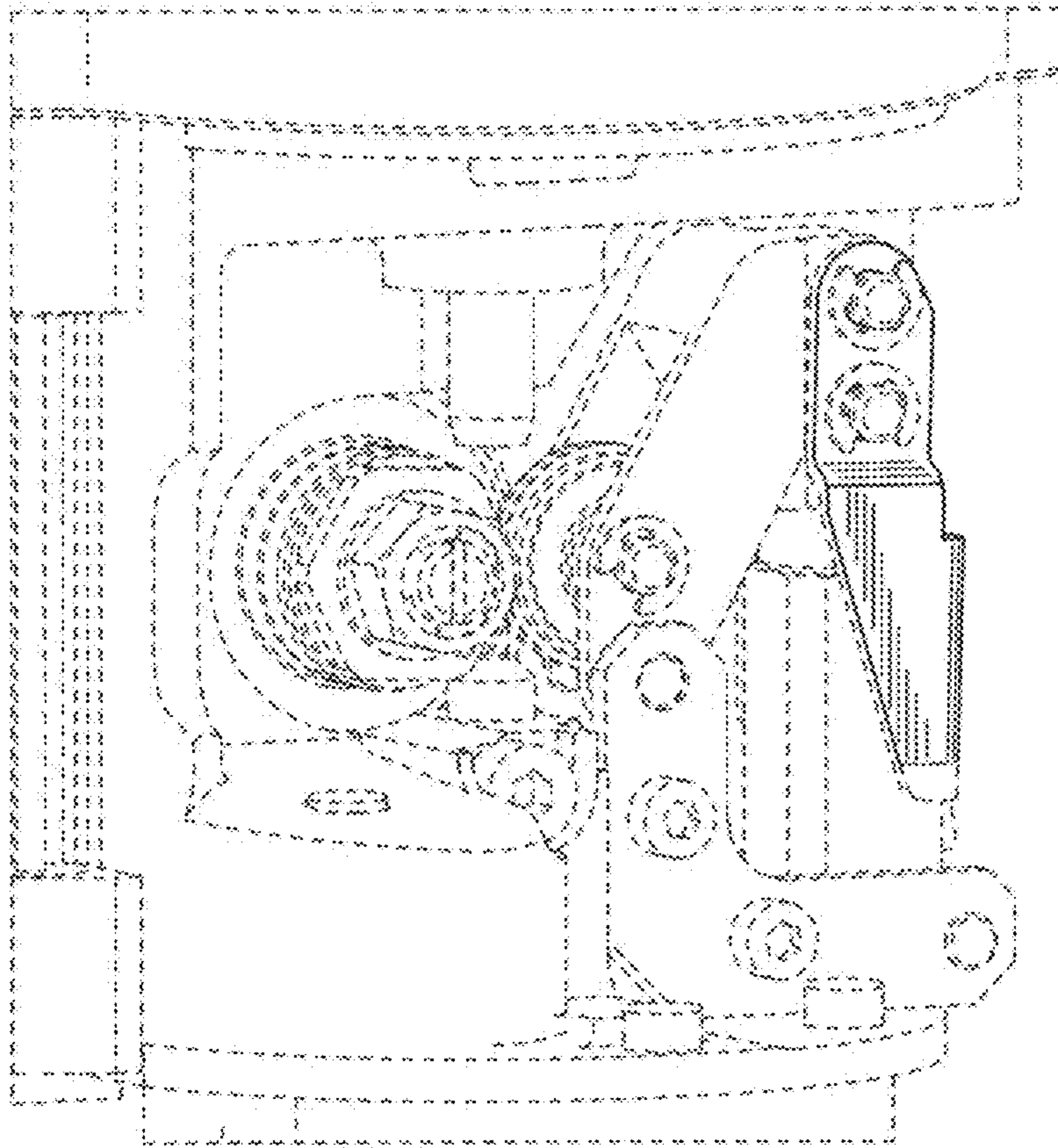


FIG. 14

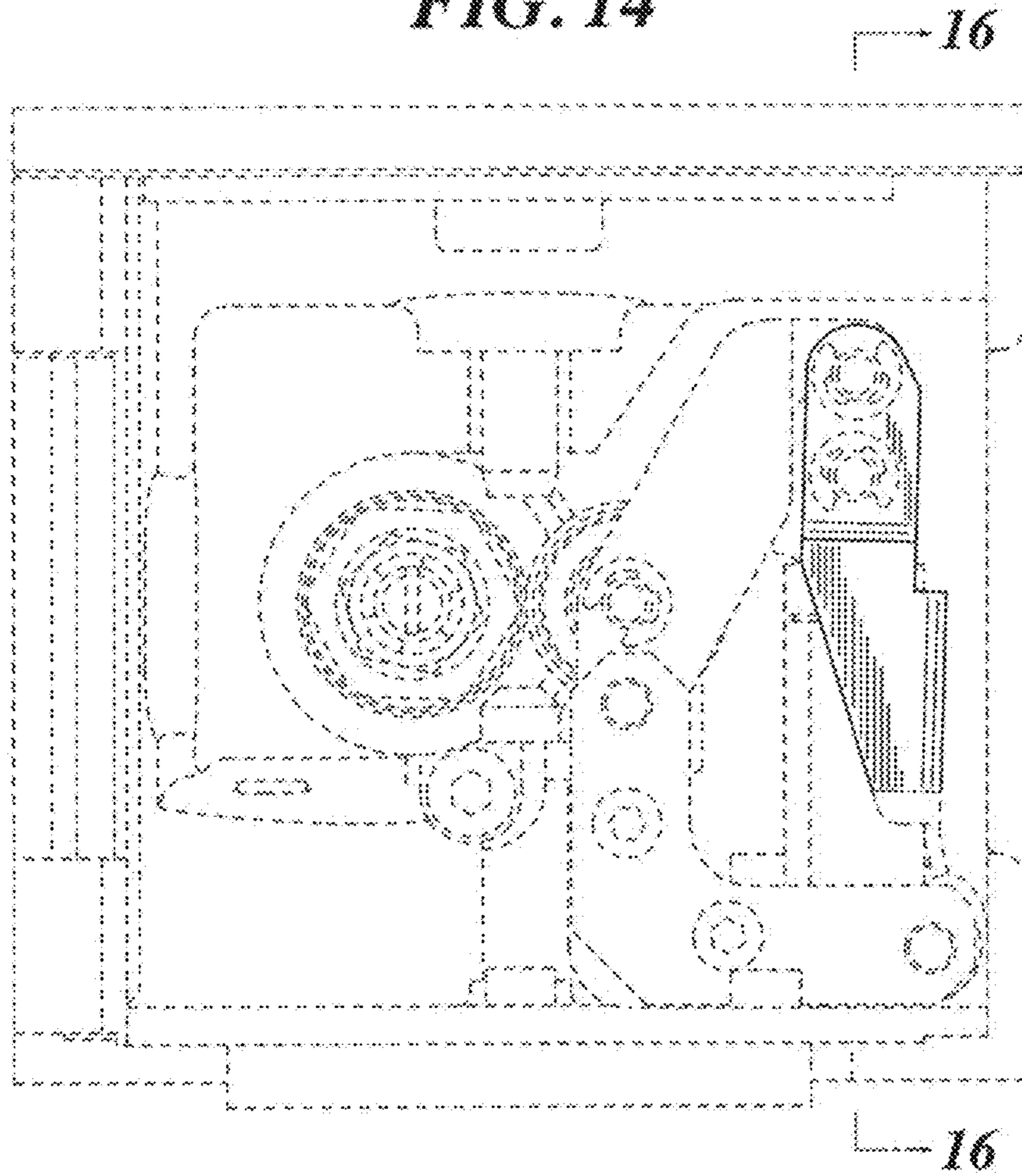


FIG. 15

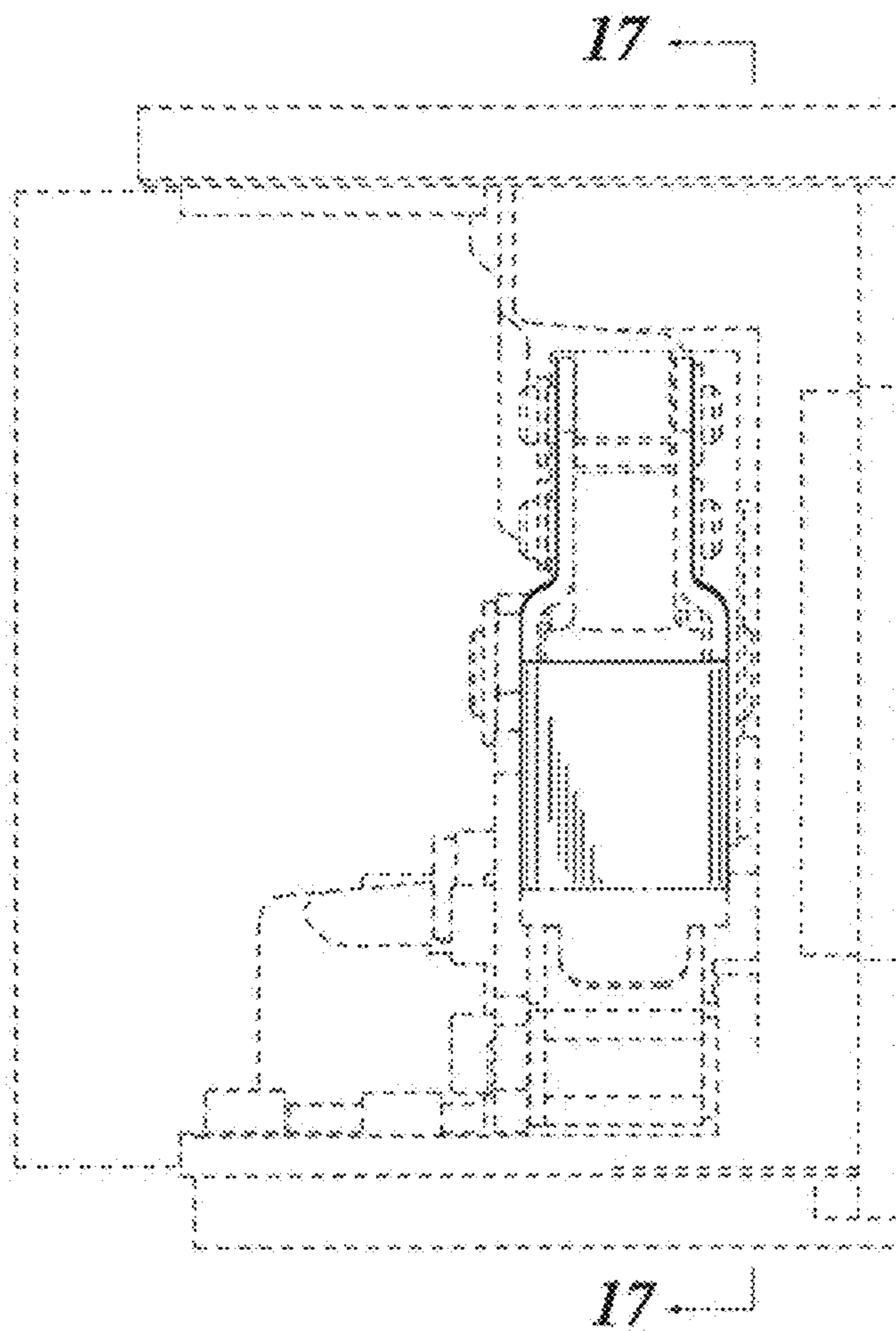


FIG. 16

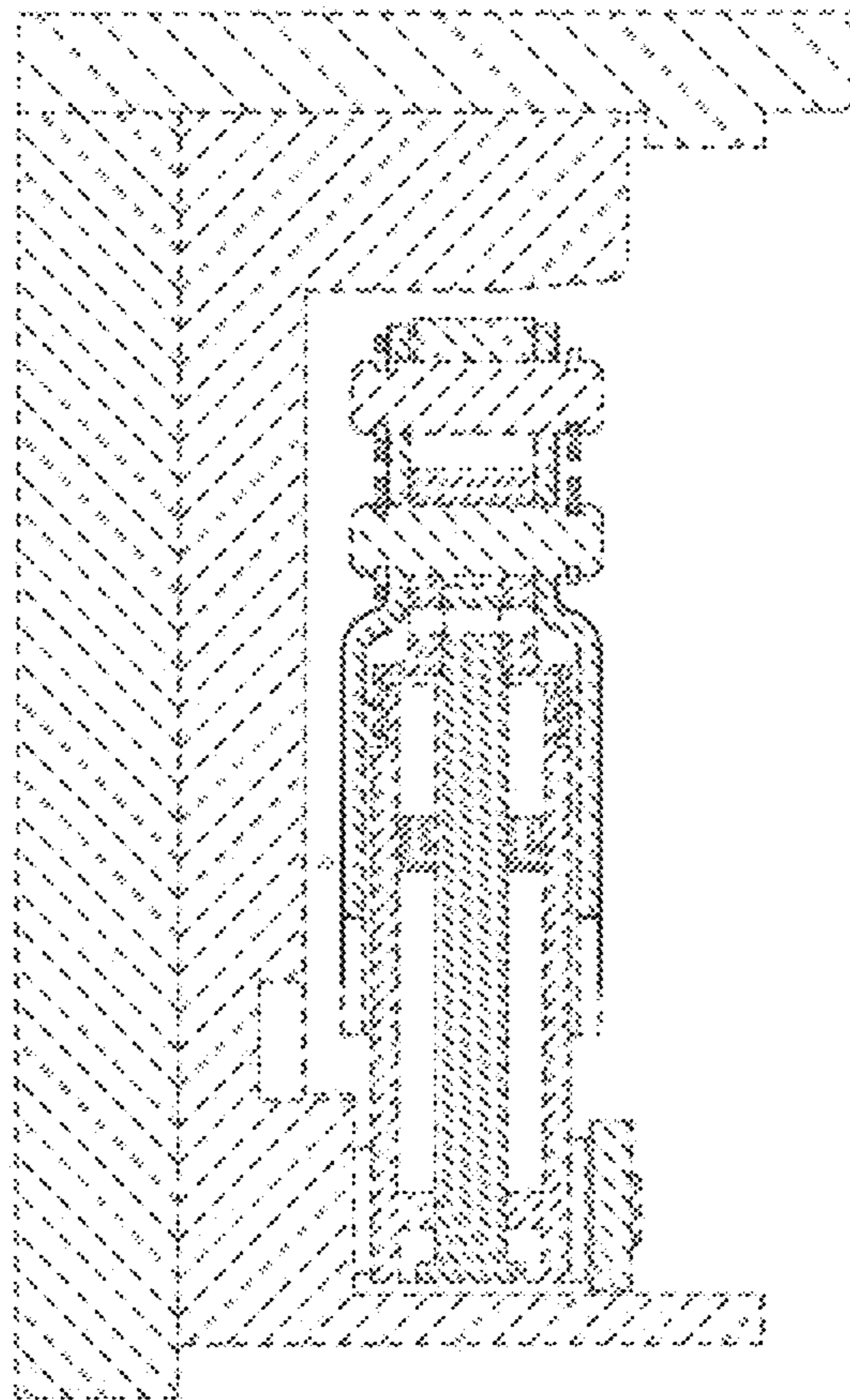


FIG. 17

