



US00D783066S

(12) **United States Design Patent**
Popov

(10) **Patent No.:** **US D783,066 S**

(45) **Date of Patent:** **** Apr. 4, 2017**

(54) **GRINDING TOOL**

(71) Applicant: **Georgi M Popov**, Braselton, GA (US)

(72) Inventor: **Georgi M Popov**, Braselton, GA (US)

(**) Term: **15 Years**

(21) Appl. No.: **29/570,347**

(22) Filed: **Jul. 7, 2016**

Related U.S. Application Data

(62) Division of application No. 29/510,880, filed on Dec. 4, 2014, now Pat. No. Des. 763,932.

(51) **LOC (10) Cl.** **15-09**

(52) **U.S. Cl.**
USPC **D15/126**

(58) **Field of Classification Search**
USPC D8/70, 71, 90, 98; D15/125, 126, 138,
D15/139; D21/485, 488, 499, 500, 503,
D21/504; D25/103, 113-118
CPC B24D 5/02; B24D 5/06; B24D 7/06
See application file for complete search history.

(56) **References Cited**

U.S. PATENT DOCUMENTS

5,453,041	A *	9/1995	Oliver	B24D 5/06 451/541
5,575,707	A *	11/1996	Talieh	B24B 21/00 451/168
5,782,682	A *	7/1998	Han	B24B 7/22 451/527
6,106,382	A *	8/2000	Sakaguchi	B24D 3/06 451/443

6,196,911	B1 *	3/2001	Preston	B24D 7/06 451/527
D506,481	S *	6/2005	Olsen	D15/126
D507,801	S *	7/2005	Olsen	D15/126
D508,927	S *	8/2005	Olsen	D15/126
6,933,018	B2 *	8/2005	Masuko	B24B 13/01 427/282
D513,514	S *	1/2006	Olsen	D15/139
D514,142	S *	1/2006	Olsen	D15/139
D514,143	S *	1/2006	Olsen	D15/139
D514,605	S *	2/2006	Olsen	D15/139
D521,031	S *	5/2006	Thysell	D15/126
D522,543	S *	6/2006	Thysell	D15/126
D552,135	S *	10/2007	Olsen	D15/139
D682,893	S *	5/2013	Bergstrand	D15/126
8,992,645	B2 *	3/2015	Upadhyay	B24D 3/06 51/293
9,102,038	B2 *	8/2015	Kinoshita	B24D 3/06

* cited by examiner

Primary Examiner — Patricia Palasik

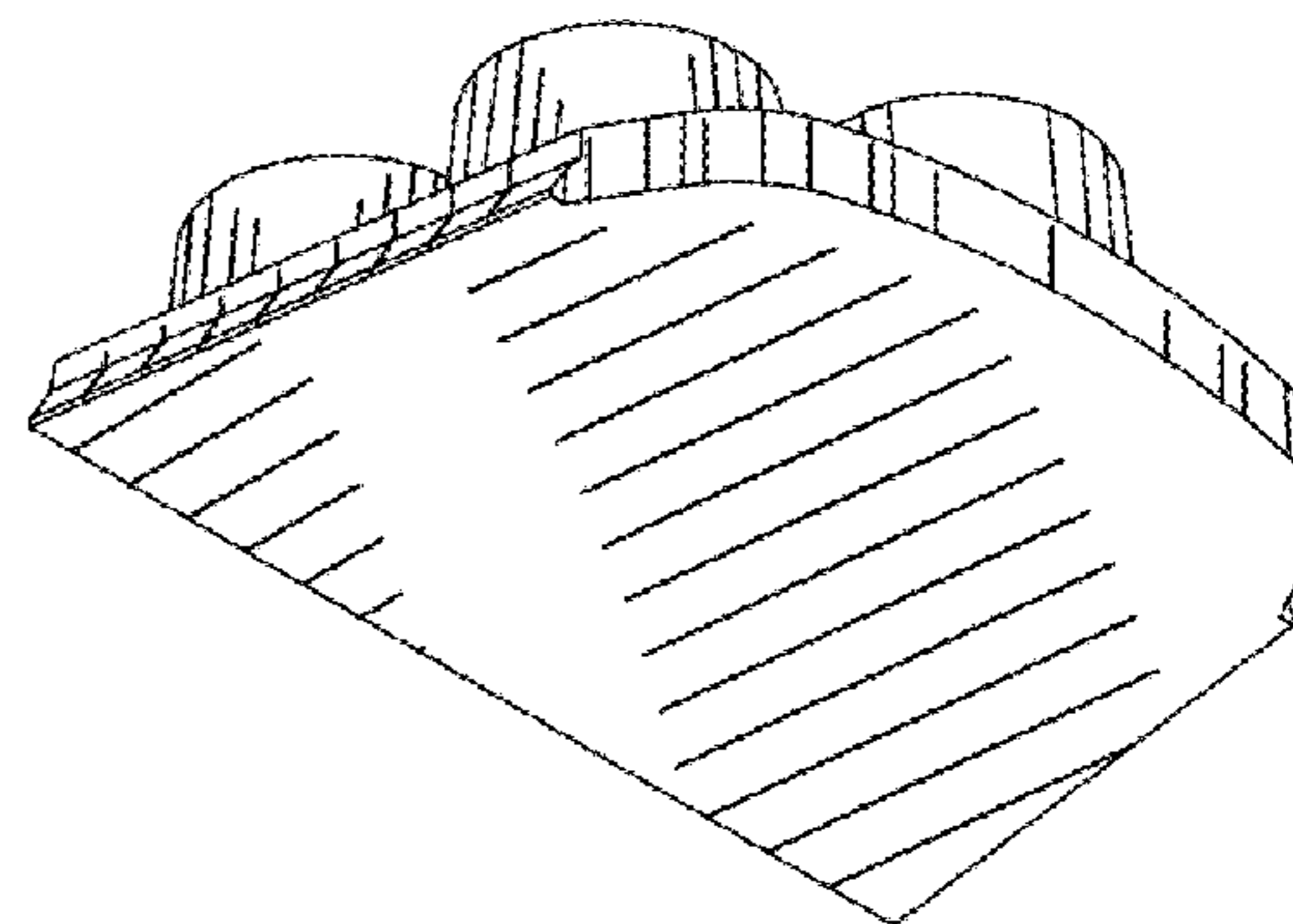
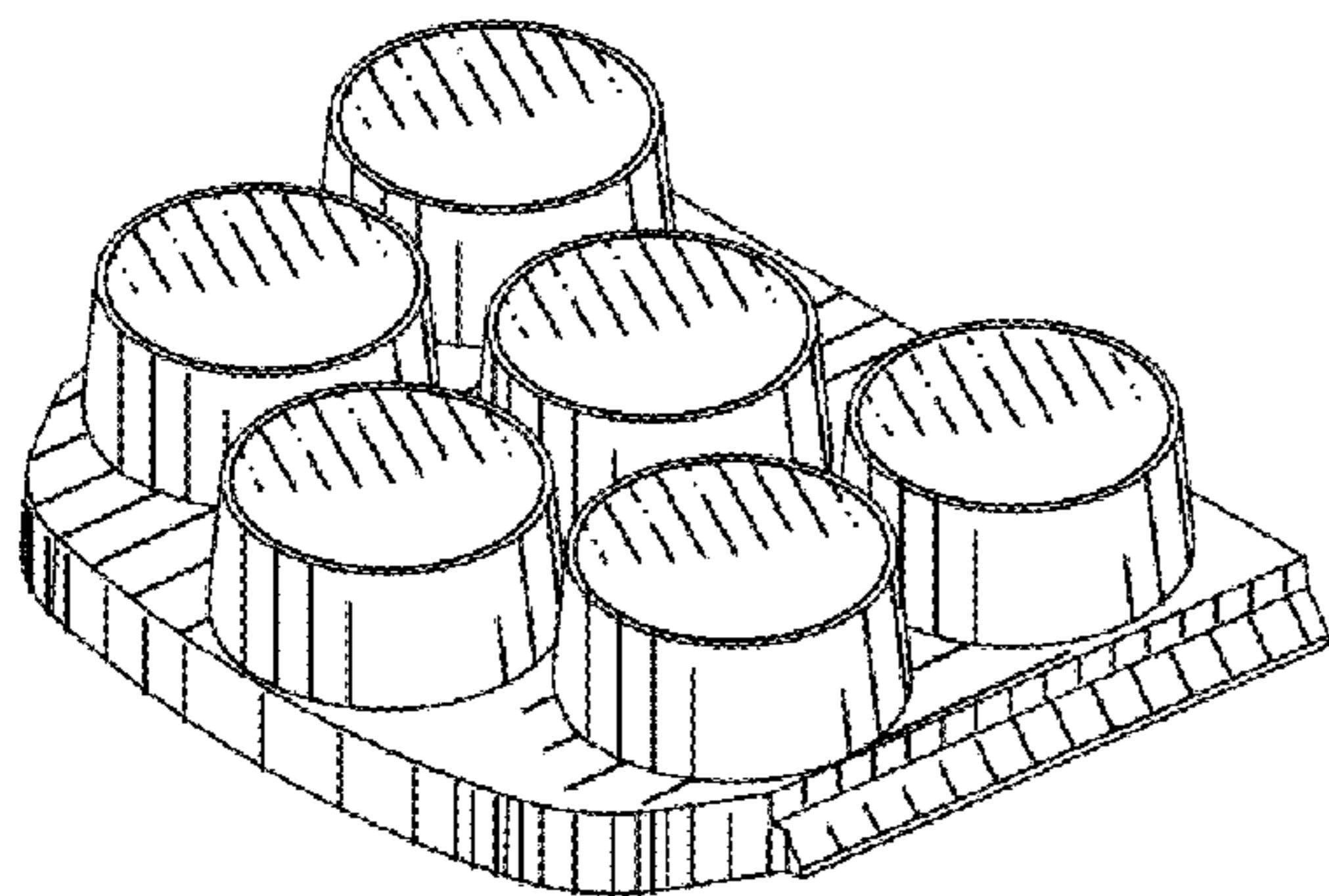
(57) **CLAIM**

The ornamental design for a grinding tool, as shown and described.

DESCRIPTION

FIG. 1 is a front perspective view of a grinding tool;
FIG. 2 is a bottom plan view thereof;
FIG. 3 is a front elevation view thereof;
FIG. 4 is a top plan view thereof;
FIG. 5 is a left side elevation view thereof;
FIG. 6 is a right side elevation view thereof;
FIG. 7 is a back side elevation view thereof; and,
FIG. 8 is a bottom perspective view thereof.

1 Claim, 1 Drawing Sheet



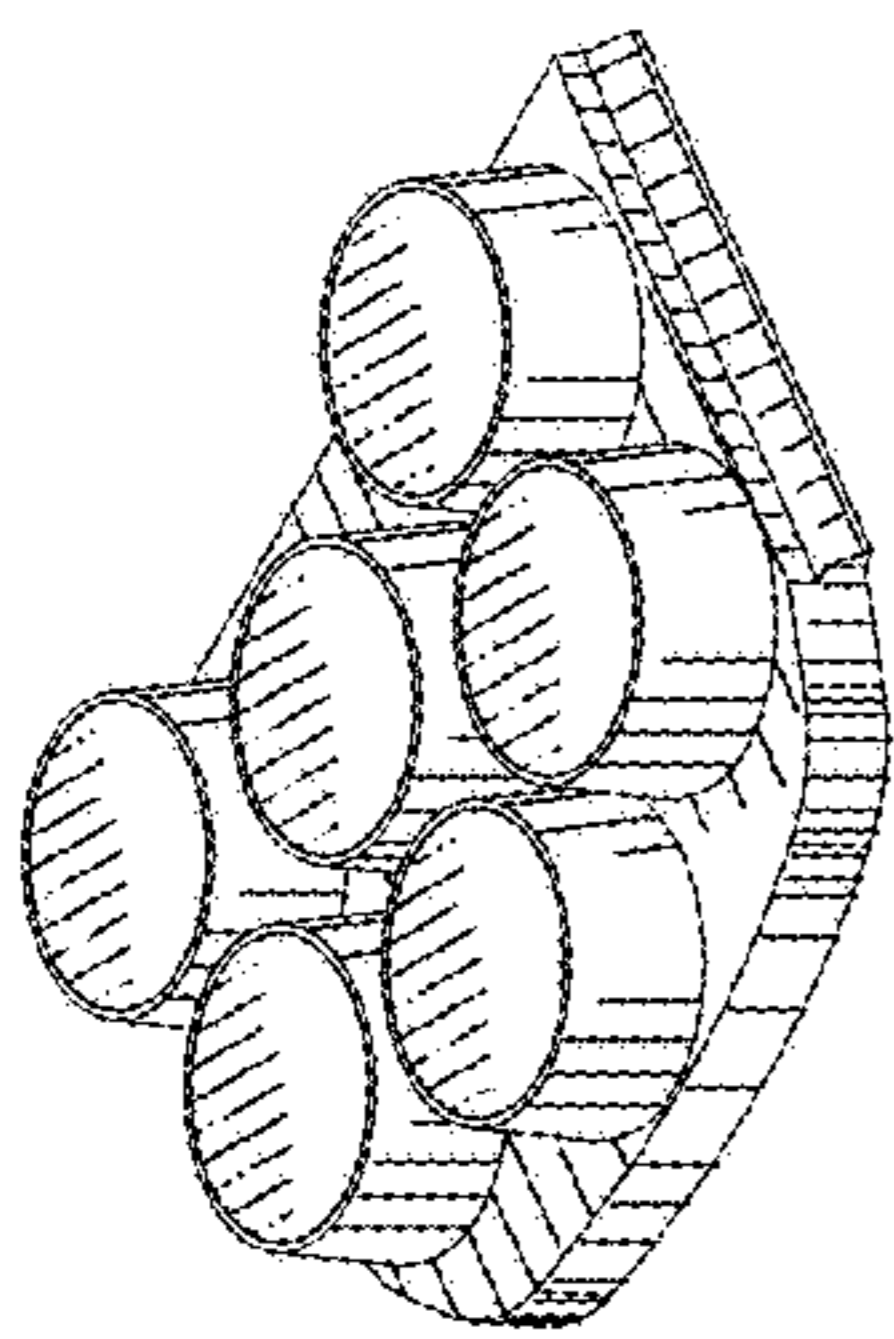


FIG. 1

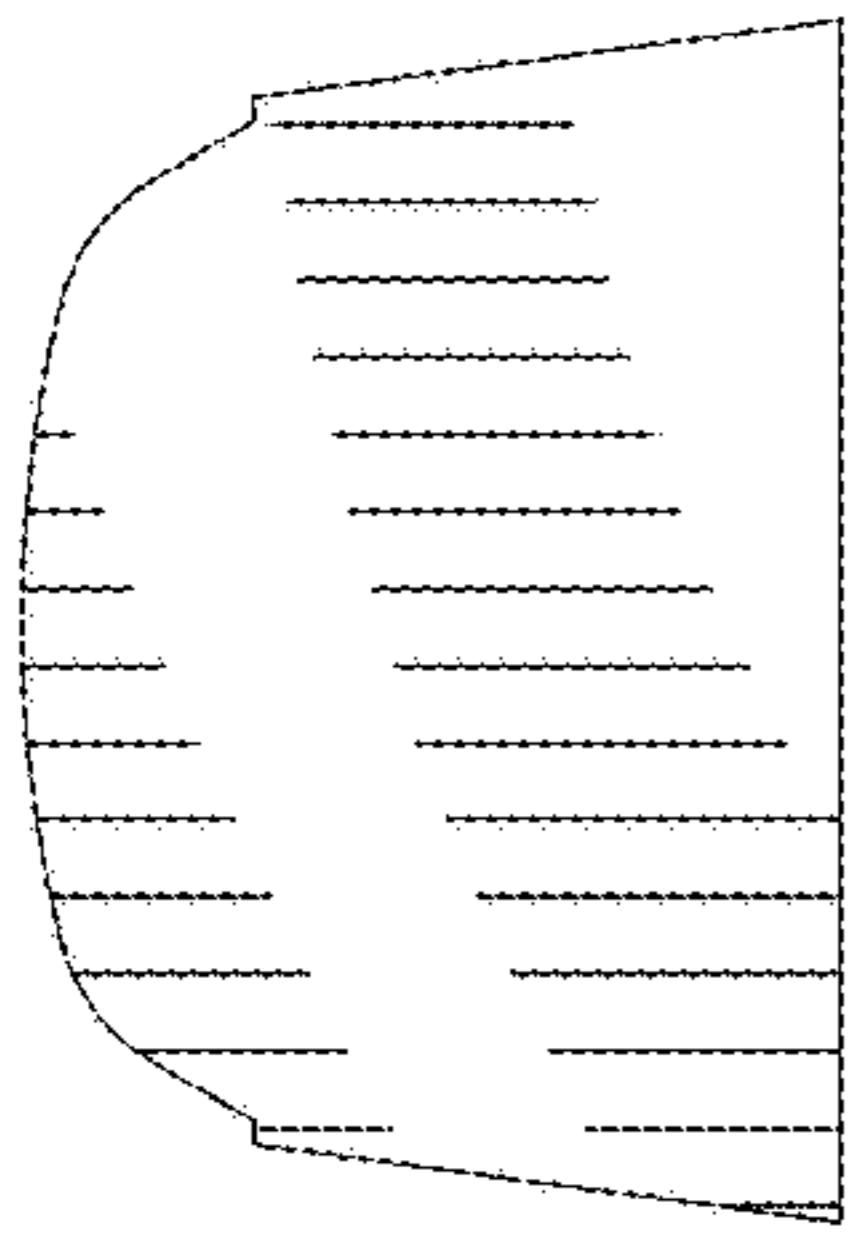


FIG. 2

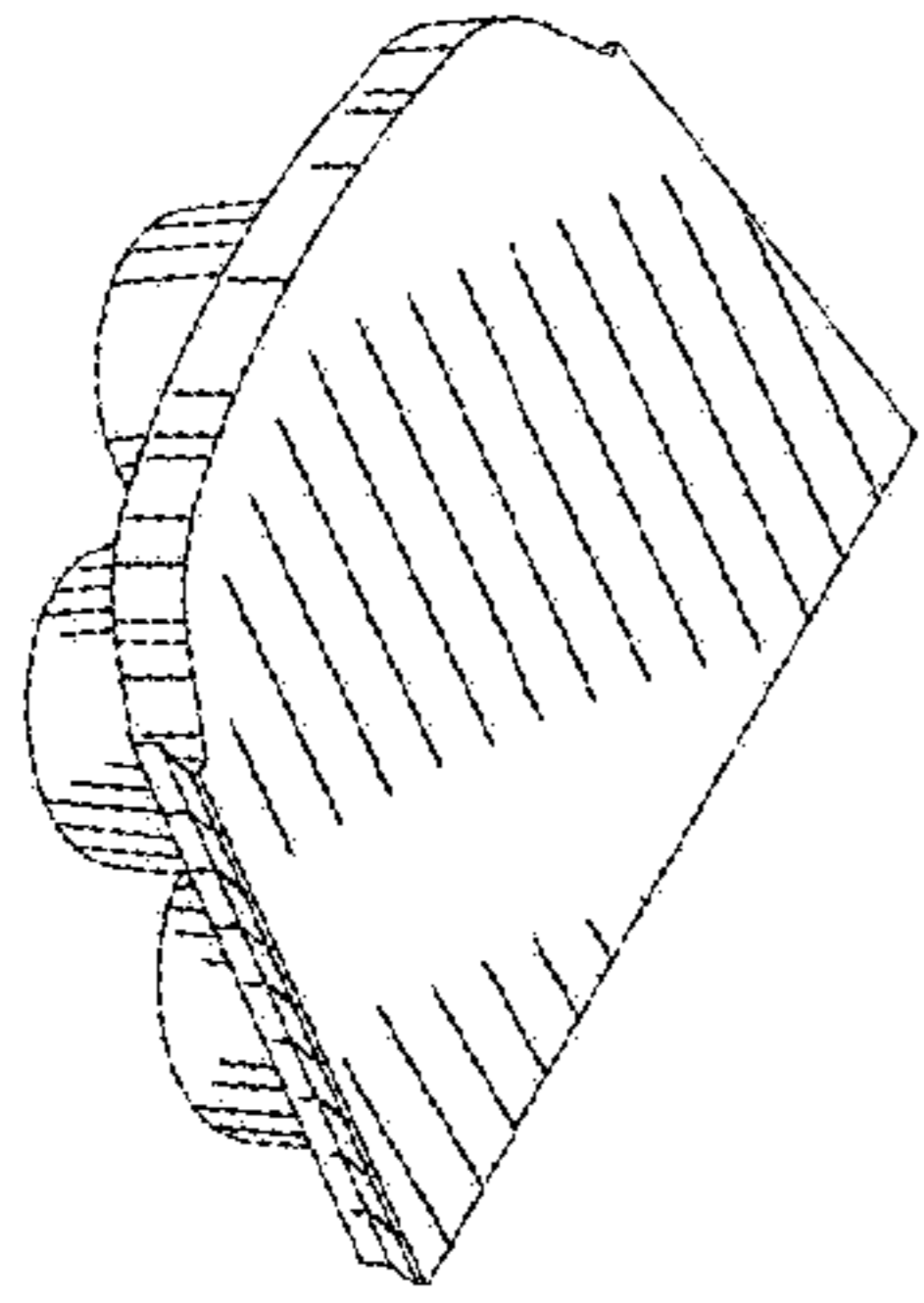


FIG. 8

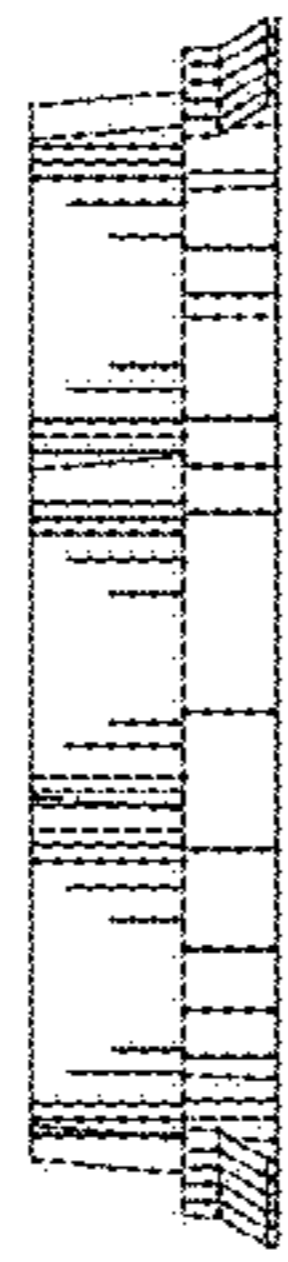


FIG. 3

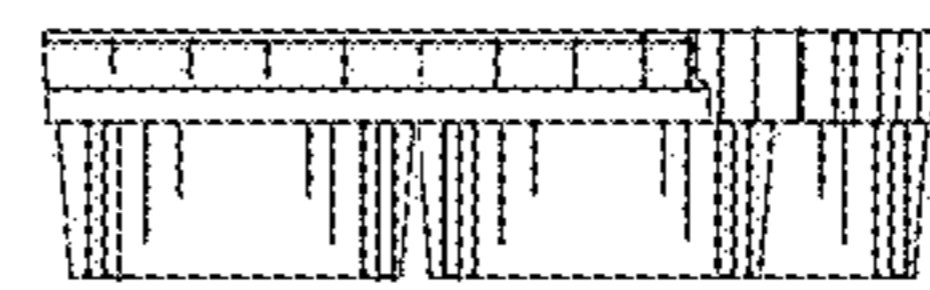


FIG. 5

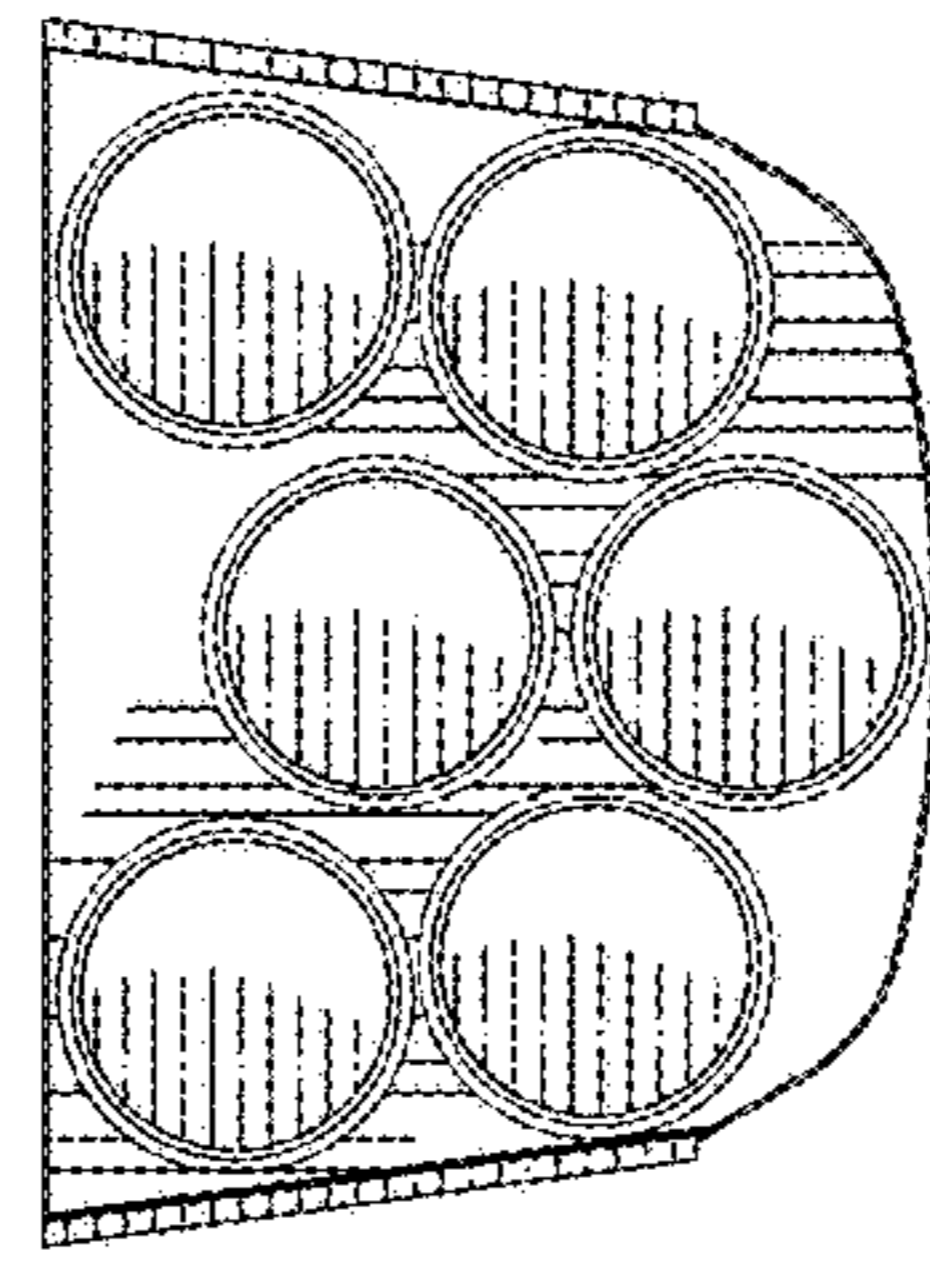


FIG. 4

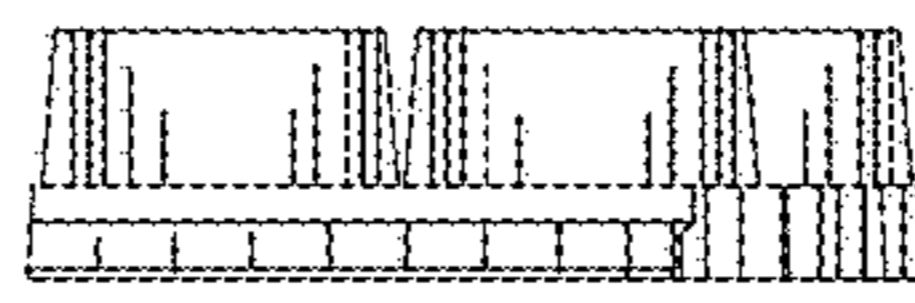


FIG. 6



FIG. 7