



US00D783063S

(12) **United States Design Patent** (10) **Patent No.:** **US D783,063 S**
Fraenkel et al. (45) **Date of Patent:** **** Apr. 4, 2017**

(54) **DOOR WITH HANDLE FOR MERCHANDISER**
(71) Applicant: **Leer, Inc.**, New Lisbon, WI (US)
(72) Inventors: **Visnu priya D. Fraenkel**, Madison, WI (US); **Robert A. Podell**, Cottage Grove, WI (US); **Stephen J. Dieter**, Oregon, WI (US)

D354,185 S * 1/1995 King D6/661
5,458,851 A 10/1995 Schroeder et al.
D372,036 S 7/1996 Timura et al.
5,699,676 A 12/1997 Trulaske, Sr.
5,708,223 A 1/1998 Wyss
5,728,999 A 3/1998 Teicher
5,752,393 A 5/1998 Schlosser et al.
5,822,955 A 10/1998 Woosley et al.

(Continued)

(73) Assignee: **Leer, Inc.**, New Lisbon, WI (US)
(**) Term: **14 Years**

FOREIGN PATENT DOCUMENTS

WO WO-2007/118140 10/2007
WO WO-2011/097153 8/2011
WO WO-2012/034850 3/2012

(21) Appl. No.: **29/507,229**
(22) Filed: **Oct. 24, 2014**
(51) **LOC (10) Cl.** **15-07**
(52) **U.S. Cl.**
USPC **D15/91**
(58) **Field of Classification Search**
USPC D6/702, 703, 670, 671, 663, 668, 657,
D6/661, 661.2; D15/91, 89, 85, 84, 81,
D15/79; 62/255, 246, 440; D34/21
CPC A47F 3/00; A47F 3/0426; A47F 3/043;
A47F 3/0434; A47F 3/0404; A47F
3/0408; A47F 3/0421
See application file for complete search history.

Primary Examiner — Susan Bennett Hattan
Assistant Examiner — Rebecca Tsehaye
(74) *Attorney, Agent, or Firm* — Foley & Lardner LLP

(57) **CLAIM**

We claim the ornamental design for an door with handle for merchandiser, as shown and described.

DESCRIPTION

FIG. 1 is a front left perspective view of the claimed design;
FIG. 2 is a front right perspective view thereof;
FIG. 3 is a front view thereof;
FIG. 4 is a rear view thereof;
FIG. 5 is a left side view thereof;
FIG. 6 is a section view thereof taken along line 6-6 in FIG. 3;
FIG. 7 is a top view thereof; and,
FIG. 8 is a bottom view thereof.

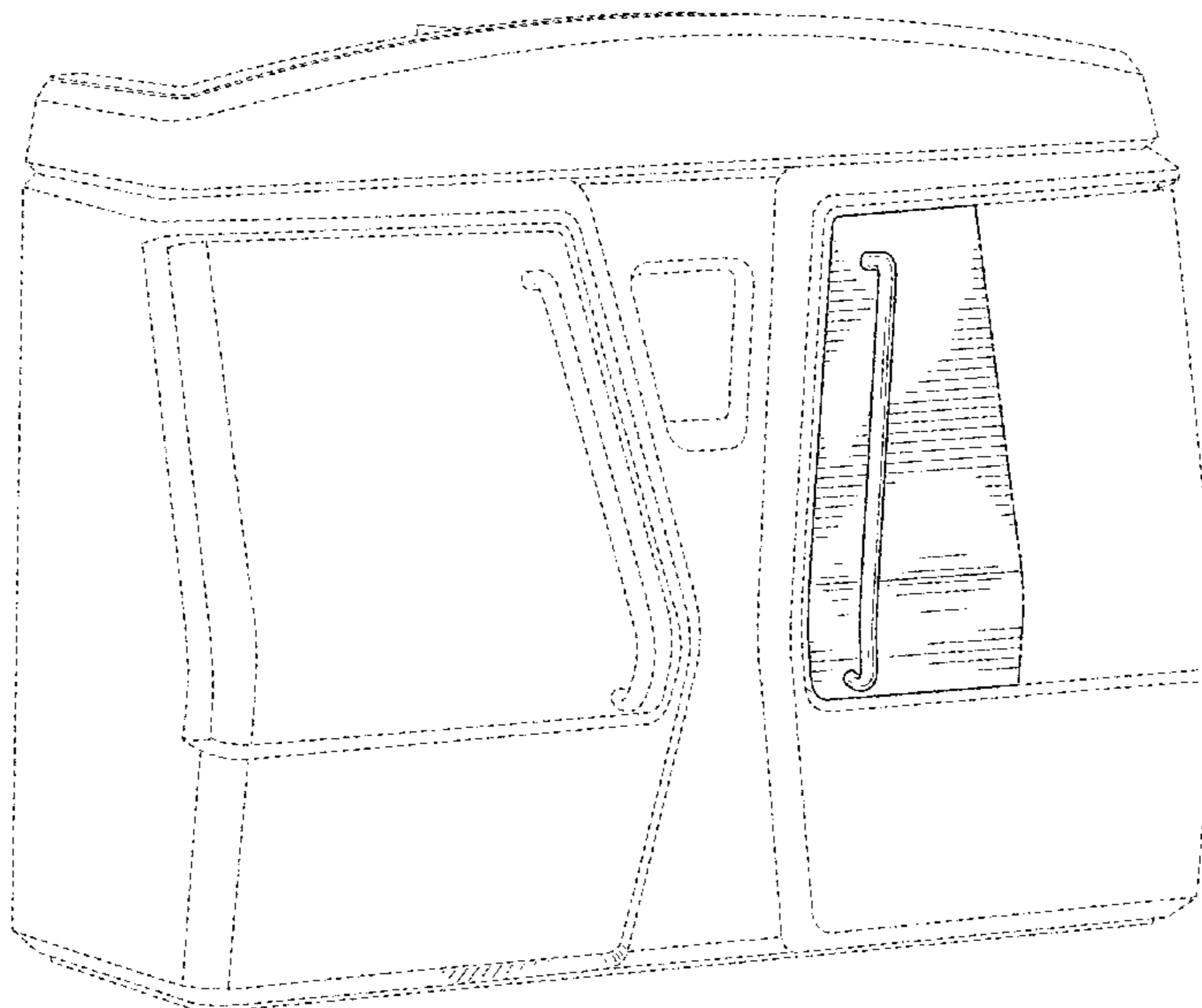
The broken lines in the drawings form no part of the claimed design. Broken lines formed by equal length dashes show unclaimed subject matter. Broken lines formed of unequal length dashes (i.e., dash-dot) define bounds of the claimed design.

(56) **References Cited**

U.S. PATENT DOCUMENTS

4,270,819 A * 6/1981 Ooho A47F 3/04
312/116
D280,790 S * 10/1985 Kooy D34/21
4,949,554 A * 8/1990 Branz A47F 3/0404
62/248
D318,583 S * 7/1991 Fevig D6/661.3
5,109,651 A 5/1992 Stuart
5,267,672 A 12/1993 Jacobsen et al.

1 Claim, 6 Drawing Sheets



US D783,063 S

(56)

References Cited

U.S. PATENT DOCUMENTS

D402,138 S	12/1998	Trulaske, Sr.		8,528,302 B1	9/2013	Shaker et al.	
D416,713 S *	11/1999	Trulaske, Sr.	D15/91	8,534,034 B1	9/2013	Pape	
D420,367 S	2/2000	Trulaske, Sr.		8,534,085 B2 *	9/2013	Zangari	A47F 3/0408 62/246
D420,368 S *	2/2000	Bardin	D15/91	8,545,113 B2	10/2013	Johnson et al.	
6,068,305 A	5/2000	Myers et al.		8,561,655 B2	10/2013	Dalton et al.	
D439,914 S	4/2001	Trulaske, Sr.		8,800,305 B2	8/2014	Pape et al.	
D441,990 S	5/2001	Trulaske, Sr.		8,813,516 B2	8/2014	Min et al.	
D444,966 S	7/2001	Trulaske et al.		D734,783 S *	7/2015	Yong	D15/85
D448,589 S	10/2001	Trulaske, Sr.		D745,580 S *	12/2015	Miller	D15/89
D452,395 S	12/2001	Trulaske, Sr.		2003/0046947 A1	3/2003	Ohya et al.	
D461,335 S	8/2002	Trulaske et al.		2005/0095121 A1	5/2005	Vithani	
D467,450 S	12/2002	Trulaske et al.		2006/0002685 A1	1/2006	Jeong	
6,506,428 B1	1/2003	Berge et al.		2006/0150645 A1	7/2006	Leaver	
6,596,233 B2	7/2003	Berge et al.		2007/0162182 A1	7/2007	Marti et al.	
6,606,869 B2	8/2003	Takahashi et al.		2007/0193318 A1	8/2007	Churchill et al.	
6,619,051 B1	9/2003	Kilawee et al.		2007/0196244 A1	8/2007	Croft	
6,658,884 B2	12/2003	Takahashi et al.		2007/0267093 A1	11/2007	Soderman	
6,694,770 B2 *	2/2004	Winders	F25D 23/04 312/405.1	2008/0006313 A1	1/2008	Wang	
6,904,946 B2	6/2005	James		2008/0104972 A1	5/2008	Finkenauer	
6,983,615 B2 *	1/2006	Winders	F25D 23/04 62/115	2009/0142225 A1	6/2009	Tornqvist	
7,032,401 B2	4/2006	Dresser		2009/0183523 A1	7/2009	Willette	
7,032,406 B2	4/2006	Hollen et al.		2009/0244884 A1	10/2009	Trulaske, Sr.	
7,344,210 B2	3/2008	Dresser		2010/0223944 A1	9/2010	Tsujimoto et al.	
7,681,411 B2	3/2010	DiLorenzo		2011/0238209 A1	9/2011	Roekens et al.	
7,757,513 B2	7/2010	Paine		2011/0238210 A1	9/2011	Roekens	
D671,576 S *	11/2012	Jafa	D15/91	2012/0070264 A1	3/2012	Pape	
8,328,438 B2	12/2012	Johnson et al.		2012/0186202 A1	7/2012	Pandurangan et al.	
8,387,405 B2	3/2013	Johnson		2012/0198870 A1	8/2012	Erbs et al.	
8,468,784 B2	6/2013	Metzger		2012/0291458 A1	11/2012	Seibert et al.	
8,484,935 B2	7/2013	Leblanc et al.		2013/0000327 A1	1/2013	Olson, Jr. et al.	
8,511,101 B1	8/2013	Seymour		2013/0087577 A1	4/2013	Berge et al.	
				2013/0104579 A1	5/2013	Zhou	
				2013/0180267 A1	7/2013	Hartig et al.	
				2013/0219925 A1	8/2013	Camatta et al.	
				2014/0199151 A1	7/2014	Pape	

* cited by examiner

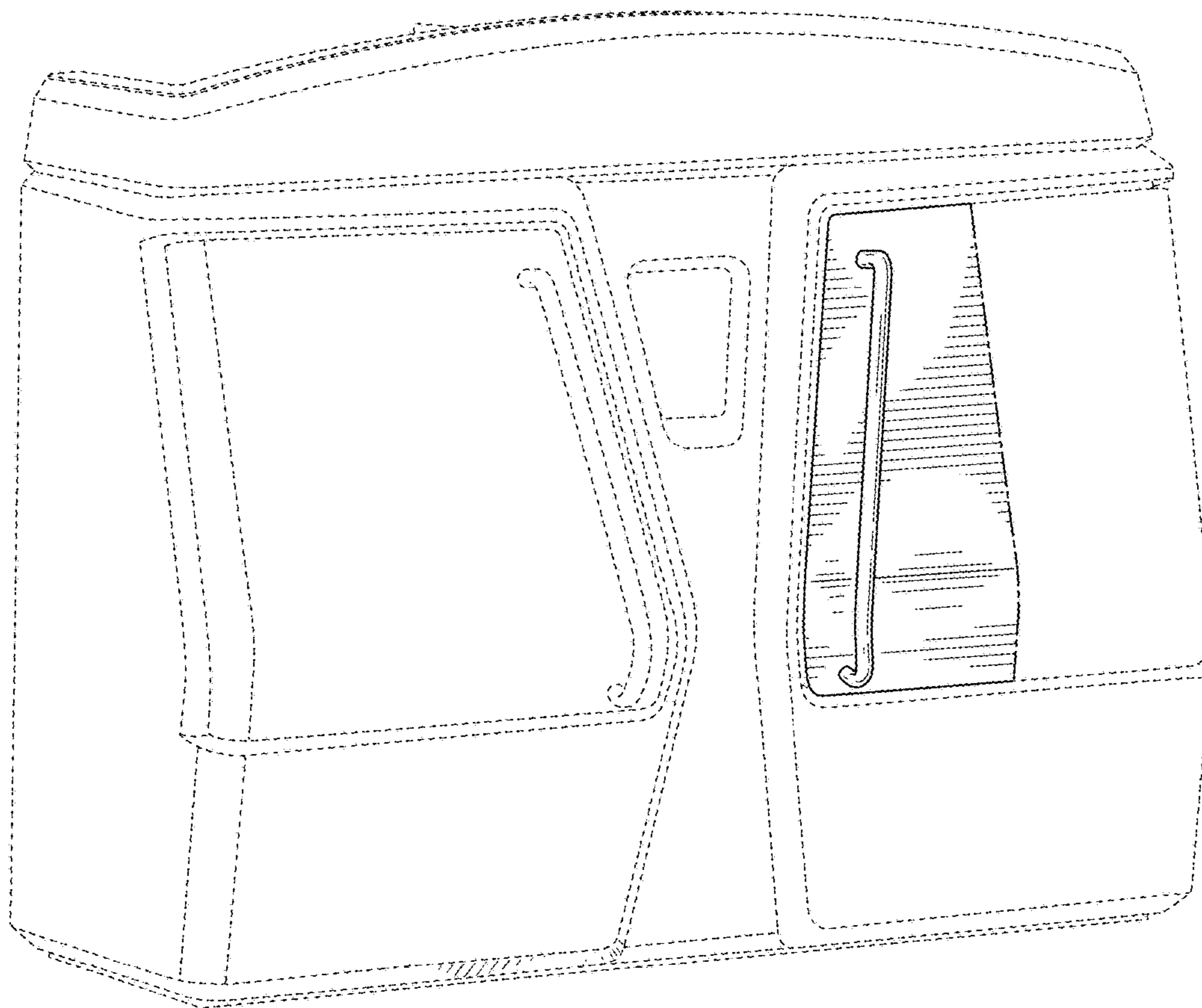


FIG. 1

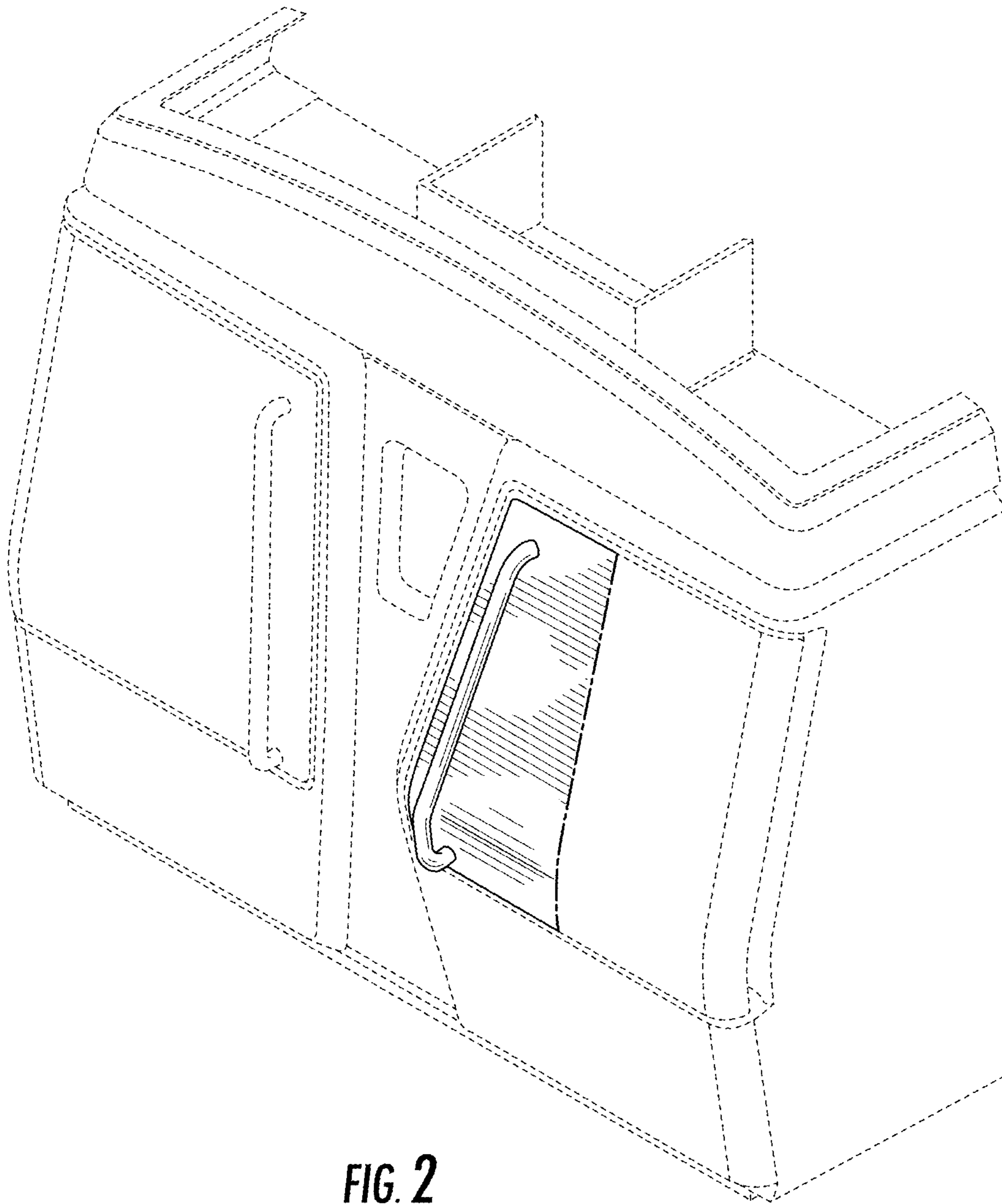


FIG. 2

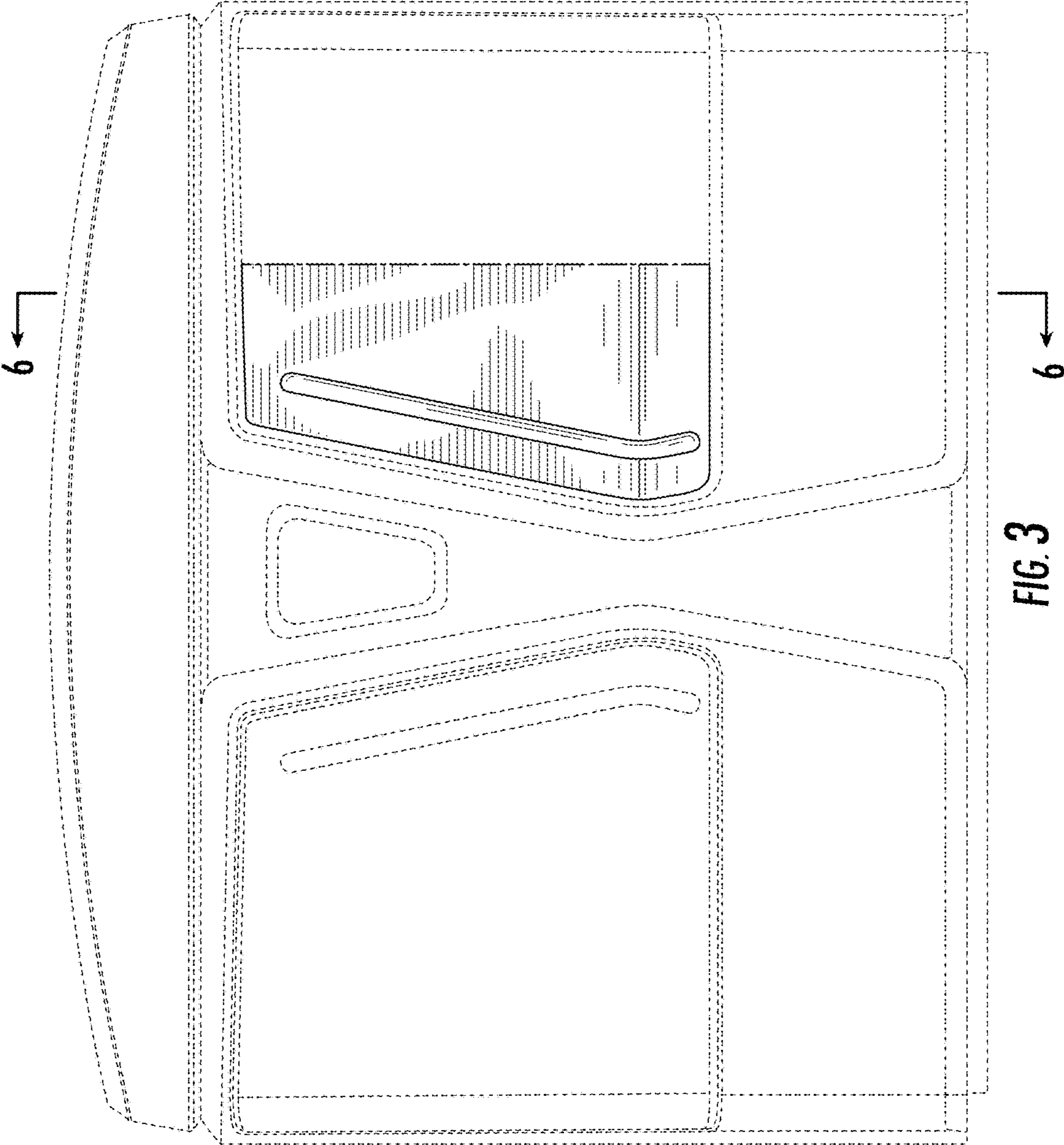


FIG. 3

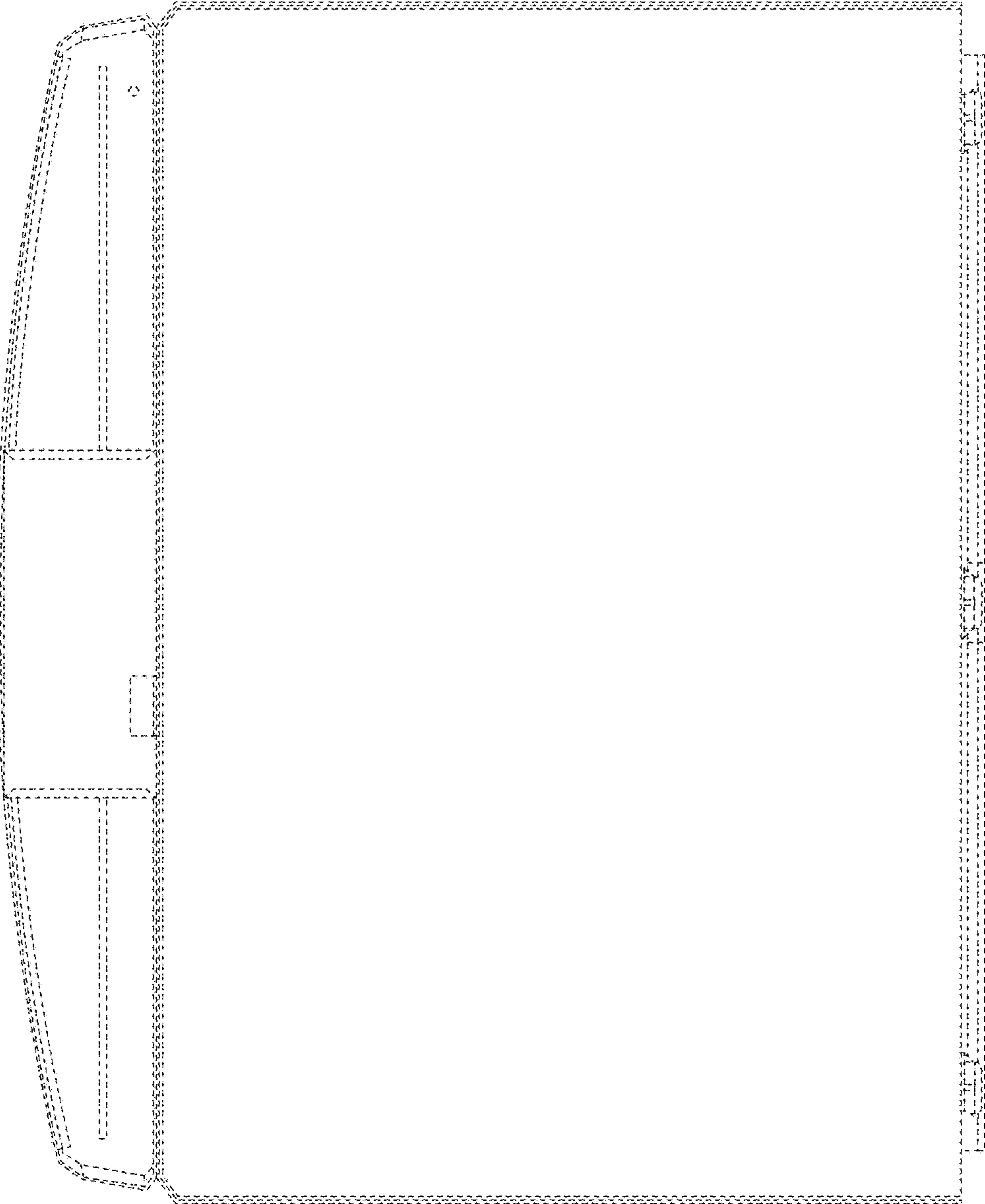


FIG. 4

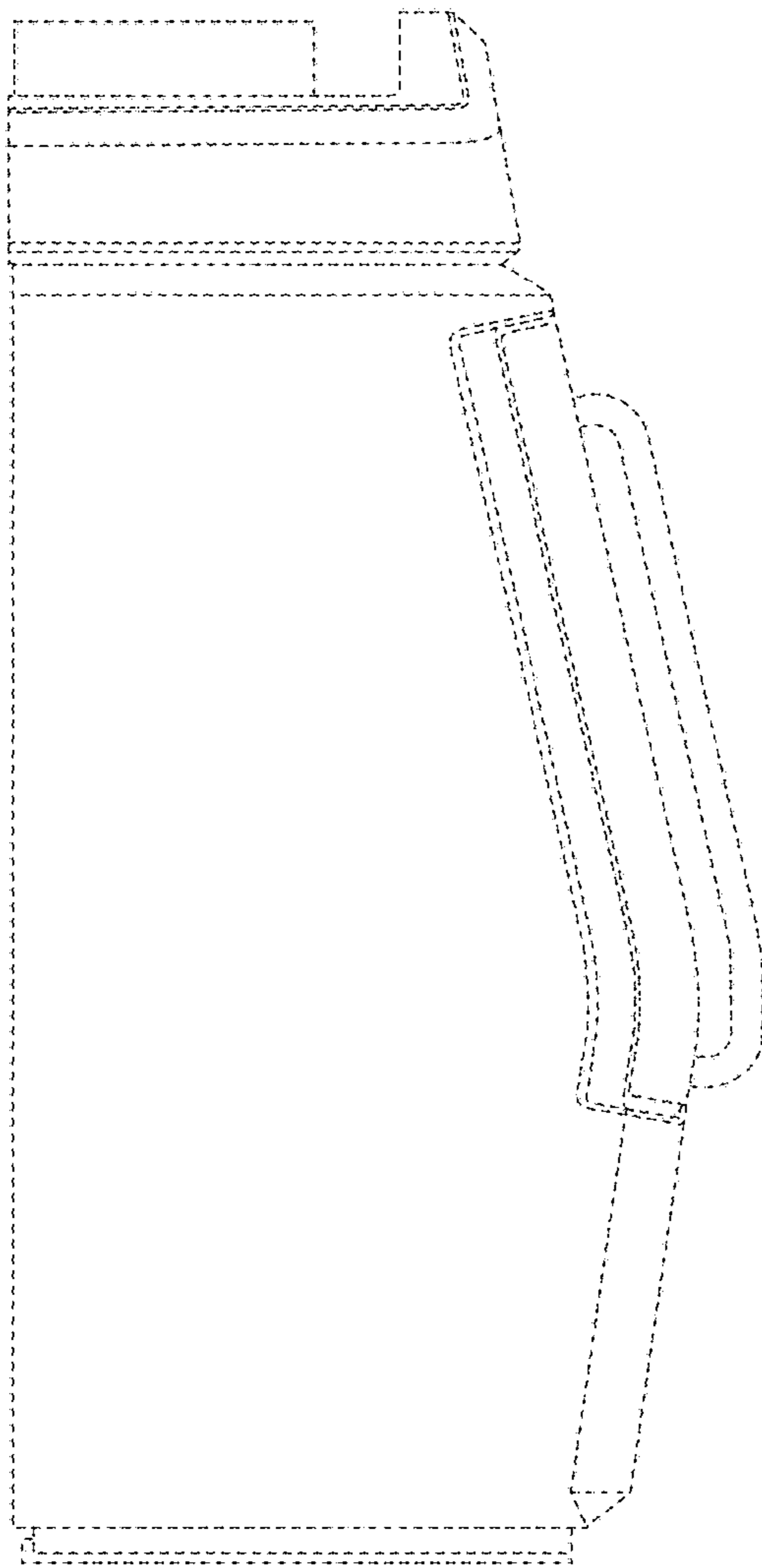


FIG. 5

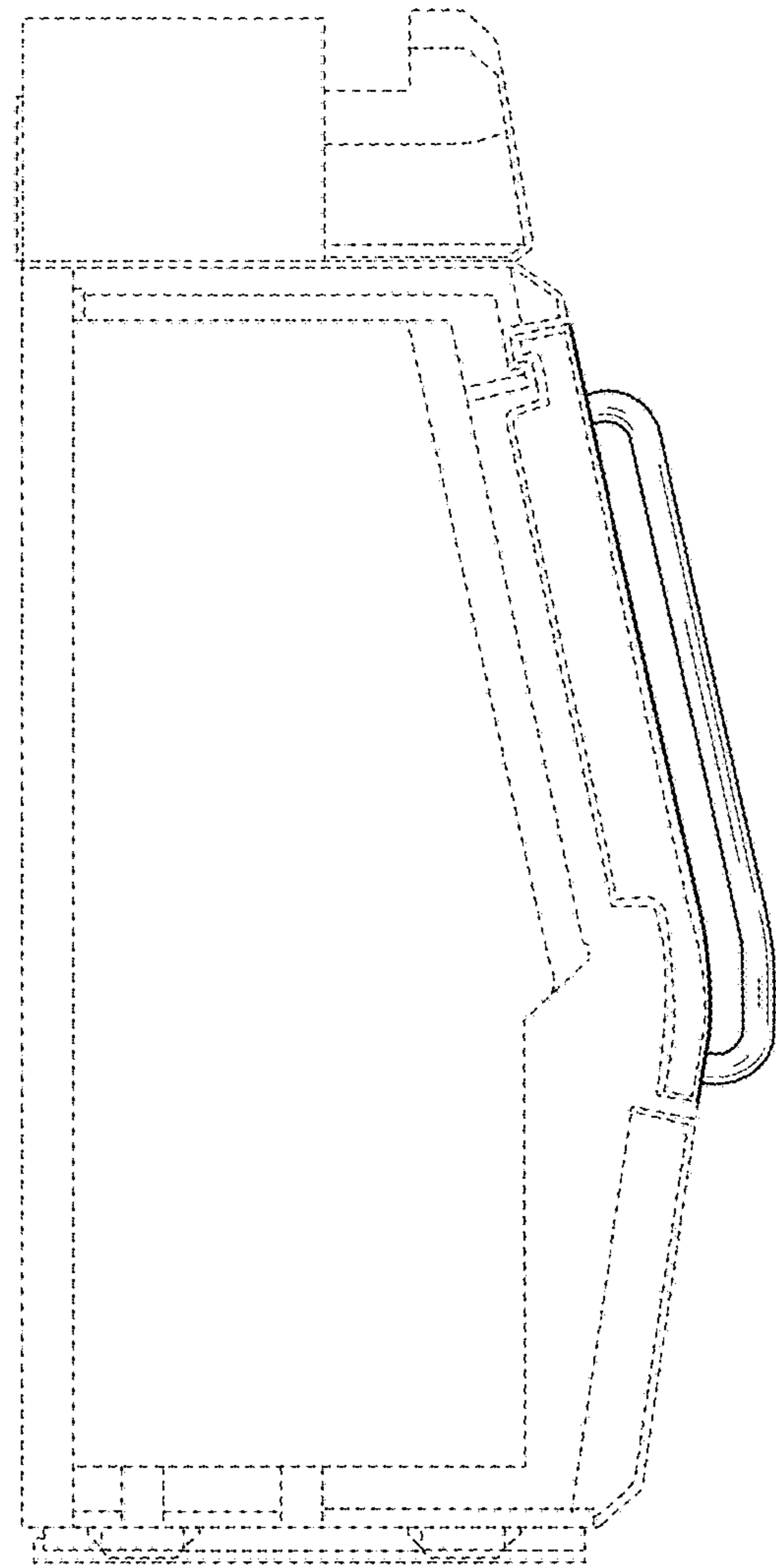


FIG. 6

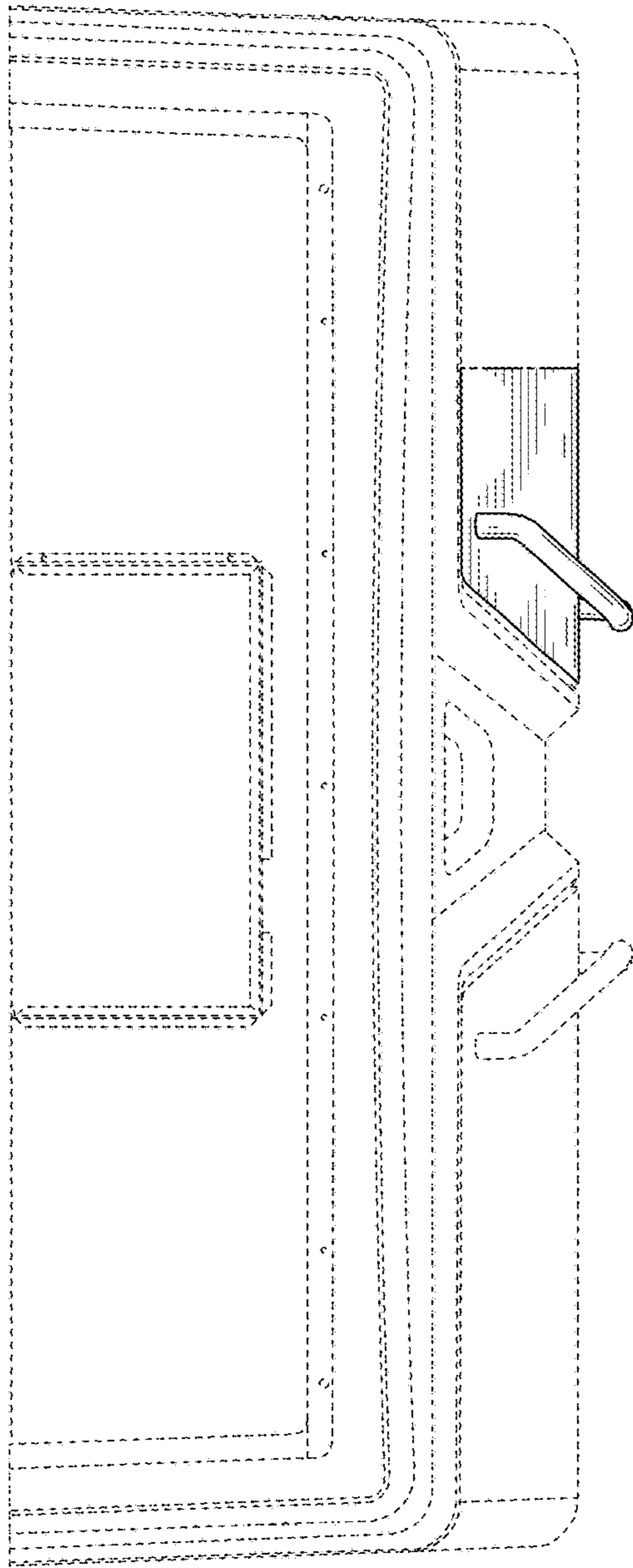


FIG. 7

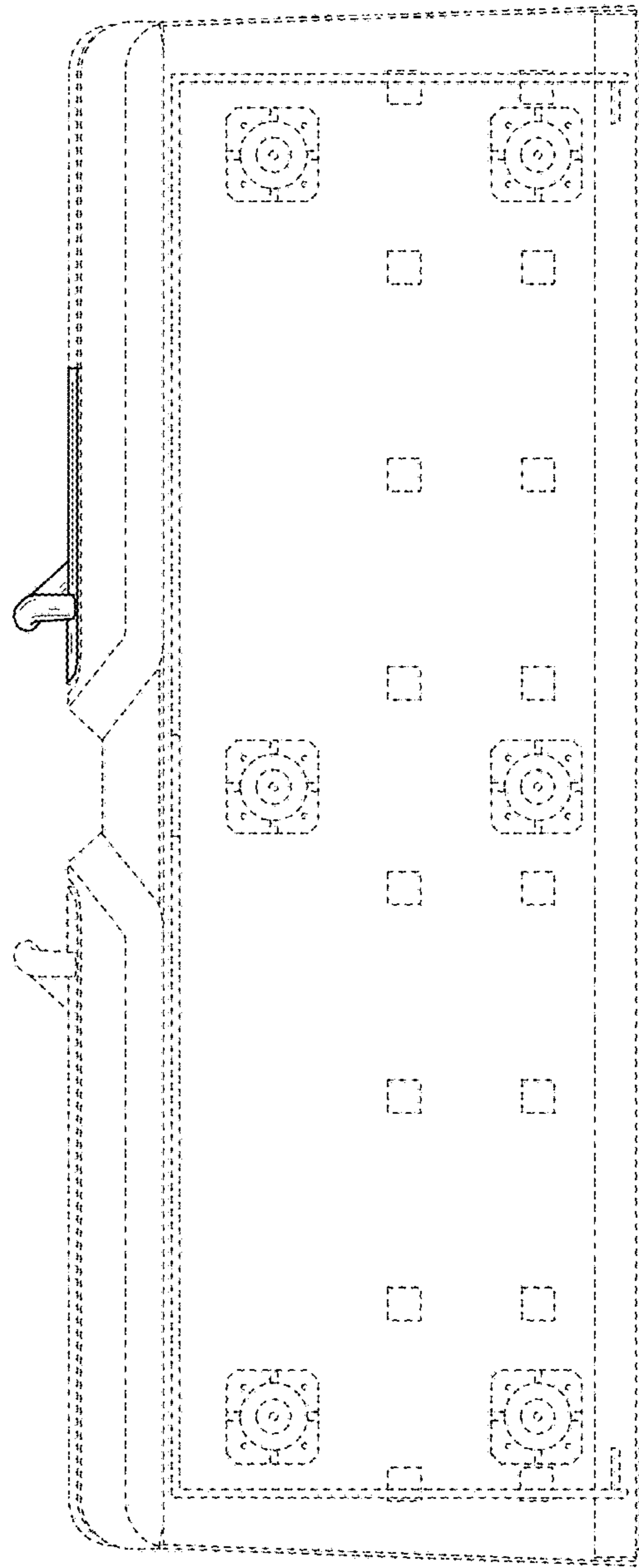


FIG. 8