



US00D783062S

(12) **United States Design Patent** (10) **Patent No.:** **US D783,062 S**
Seiders et al. (45) **Date of Patent:** **** Apr. 4, 2017**

(54) **ICE PACK**

(71) Applicant: **YETI Coolers, LLC**, Austin, TX (US)

(72) Inventors: **Roy Joseph Seiders**, Austin, TX (US);
John Alan Tolman, Austin, TX (US);
Kyle Thomas Miller, Austin, TX (US);
Steve Charles Nichols, Austin, TX (US)

(73) Assignee: **YETI Coolers, LLC**, Austin, TX (US)

(**) Term: **15 Years**

(21) Appl. No.: **29/552,579**

(22) Filed: **Jan. 22, 2016**

(51) **LOC (10) Cl.** **15-07**

(52) **U.S. Cl.**
USPC **D15/90**

(58) **Field of Classification Search**
USPC .. D15/79, 80, 82, 89, 90; D9/432, 766, 770;
D7/550.1, 552.2, 553.1, 553.2, 553.3,
D7/555, 566, 587, 603; D3/304, 307, 313
CPC F25B 21/02; F25B 2321/02; F25B 1/005;
F25B 2321/0252; F25B 1/00; F25B 1/10;
F25B 21/04; F25B 2339/047; F25B 5/02;
F25B 7/00; F25B 13/00; F25B 1/053;
F25B 2309/06; F25B 2321/021; F25B
2321/023; F25D 23/028; F25D 23/02;
F25D 25/025; F25D 23/00; F25D
2323/021; F25D 11/00; F25D 2323/024;
F25D 23/04; F25D 29/00; F25D 25/02;
F25D 25/024; F25D 27/005; F25D 23/12;
F25D 29/005; F25D 17/042; F25D
2325/021

See application file for complete search history.

(56) **References Cited**

U.S. PATENT DOCUMENTS

3,233,817 A * 2/1966 Casady B65D 77/065
222/105
D267,544 S * 1/1983 Neto D9/414

D285,413 S * 9/1986 Carlson D7/703
D289,974 S * 5/1987 Hamilton D9/418
D312,303 S * 11/1990 Gustavsson D23/359
D322,383 S * 12/1991 Jones D15/90
D336,595 S * 6/1993 Jones D15/90
D340,642 S * 10/1993 Detzel D9/417
D376,876 S * 12/1996 McInnes D30/121
D377,179 S * 1/1997 Sundheim D15/79

(Continued)

OTHER PUBLICATIONS

<http://yeti.com/yeti-ice>—Retrieved Oct. 31, 2016.*

(Continued)

Primary Examiner — Manpreet Matharu

Assistant Examiner — Mojtaba Tehrani

(74) *Attorney, Agent, or Firm* — Banner & Witcoff, Ltd.

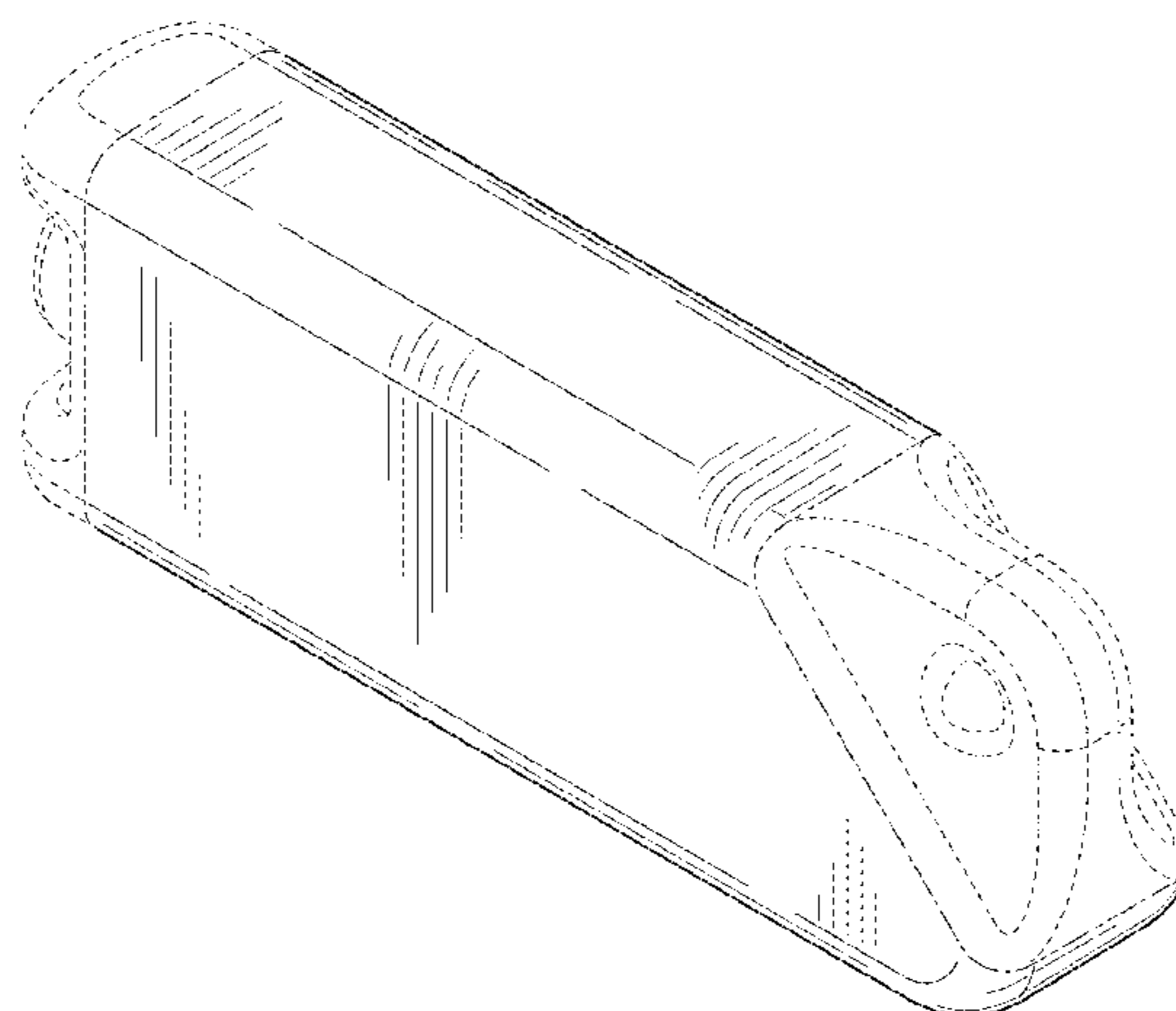
(57) **CLAIM**

The ornamental design for an ice pack, as shown and described.

DESCRIPTION

FIG. 1 is a top, front, right perspective view of an ice pack showing our new design;
FIG. 2 is a front view thereof;
FIG. 3 is a rear view thereof;
FIG. 4 is a right side view thereof;
FIG. 5 is a left side view thereof;
FIG. 6 is a top view thereof; and,
FIG. 7 is a bottom view thereof.
The uneven-length broken lines immediately adjacent to the shaded area represent unclaimed boundaries of the design. The even-length broken lines showing the remainder of the ice pack are for environmental purposes only and form no part of the claimed design.

1 Claim, 3 Drawing Sheets



(56)

References Cited

U.S. PATENT DOCUMENTS

D466,412 S	*	12/2002	Baskinger	D9/432
D473,572 S	*	4/2003	Linberg	D15/90
D474,209 S	*	5/2003	Seymour	D15/79
D643,298 S	*	8/2011	Gillespie	D9/526
D687,679 S	*	8/2013	Mikulka	D7/553.2
D691,182 S	*	10/2013	Chiorazzi	D15/90
D711,945 S	*	8/2014	Garg	D15/90
D741,919 S	*	10/2015	Seiders	D15/90
D741,920 S	*	10/2015	Seiders	D15/90
D747,102 S	*	1/2016	Kraemer	D3/307
D750,498 S	*	3/2016	Sezanayev	D9/445
D754,545 S	*	4/2016	Sezanayev	D9/445
D762,747 S	*	8/2016	Glass	D15/90

OTHER PUBLICATIONS

<https://www.amazon.com/Yeti-ICE-11b-Substitute-pack/dp/B01C7Y5DVC/>—Available as early as Apr. 15, 2016.*
<https://www.amazon.com/Ice-Packs-Pcs-Reusable-Colorful/dp/B00GWDYD48/>—Available as early as Nov. 25, 2013.*

* cited by examiner

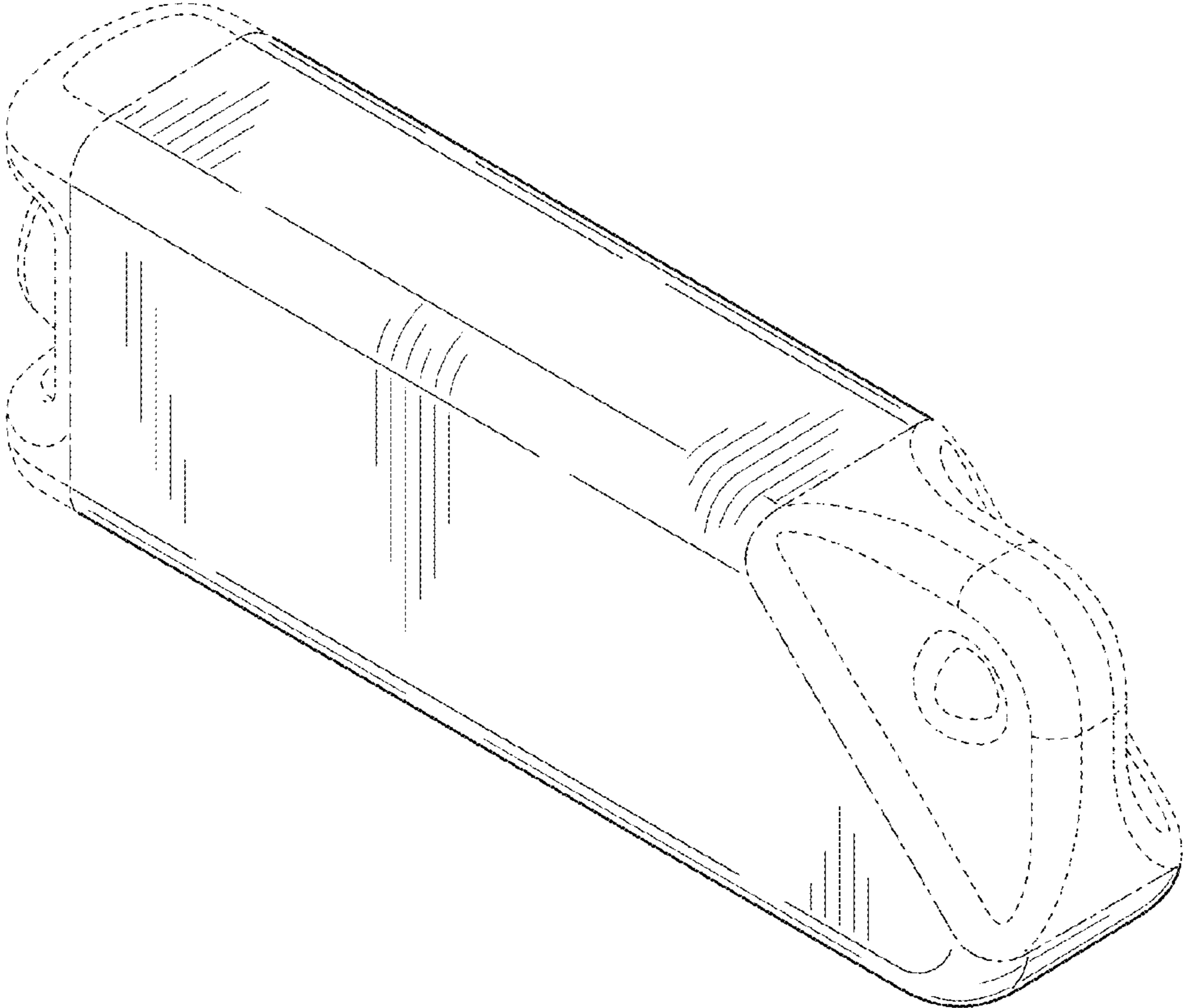


FIG. 1

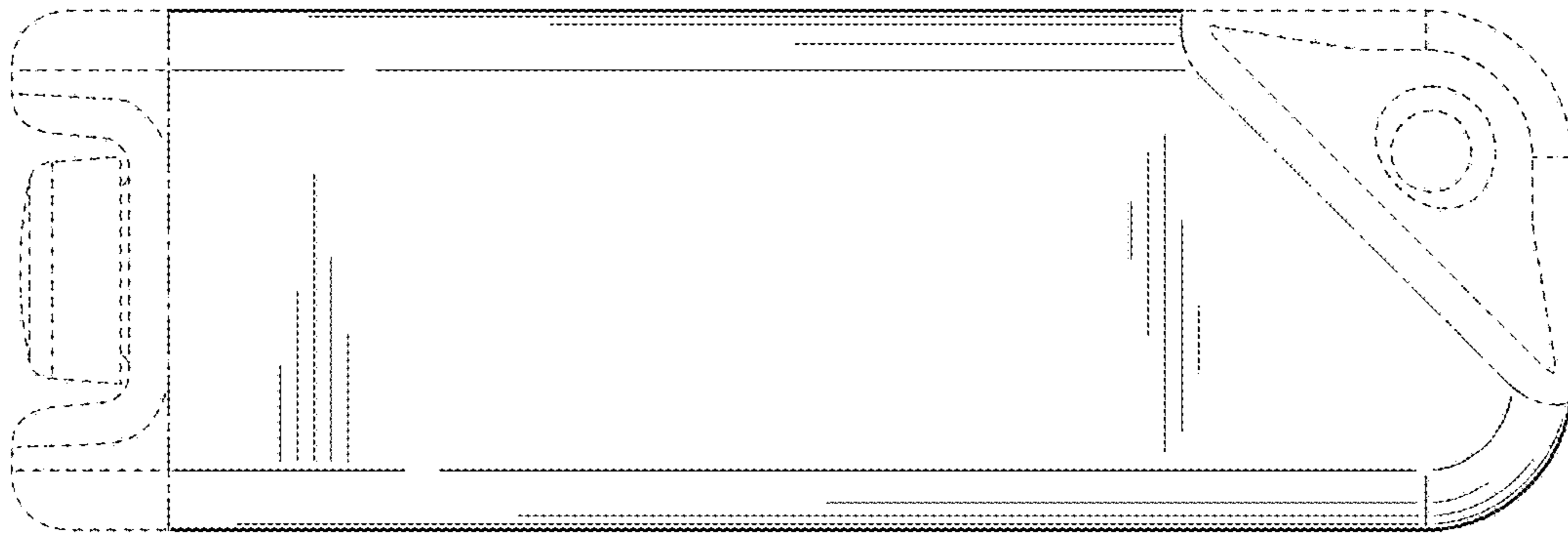


FIG. 2

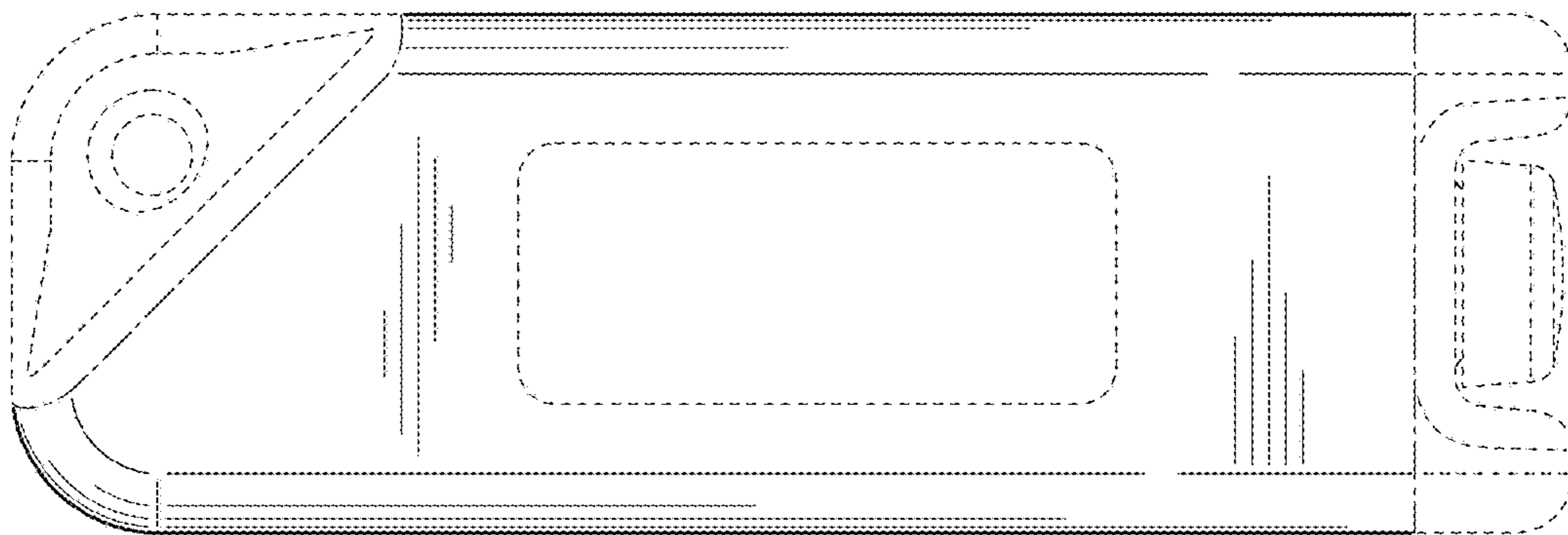


FIG. 3

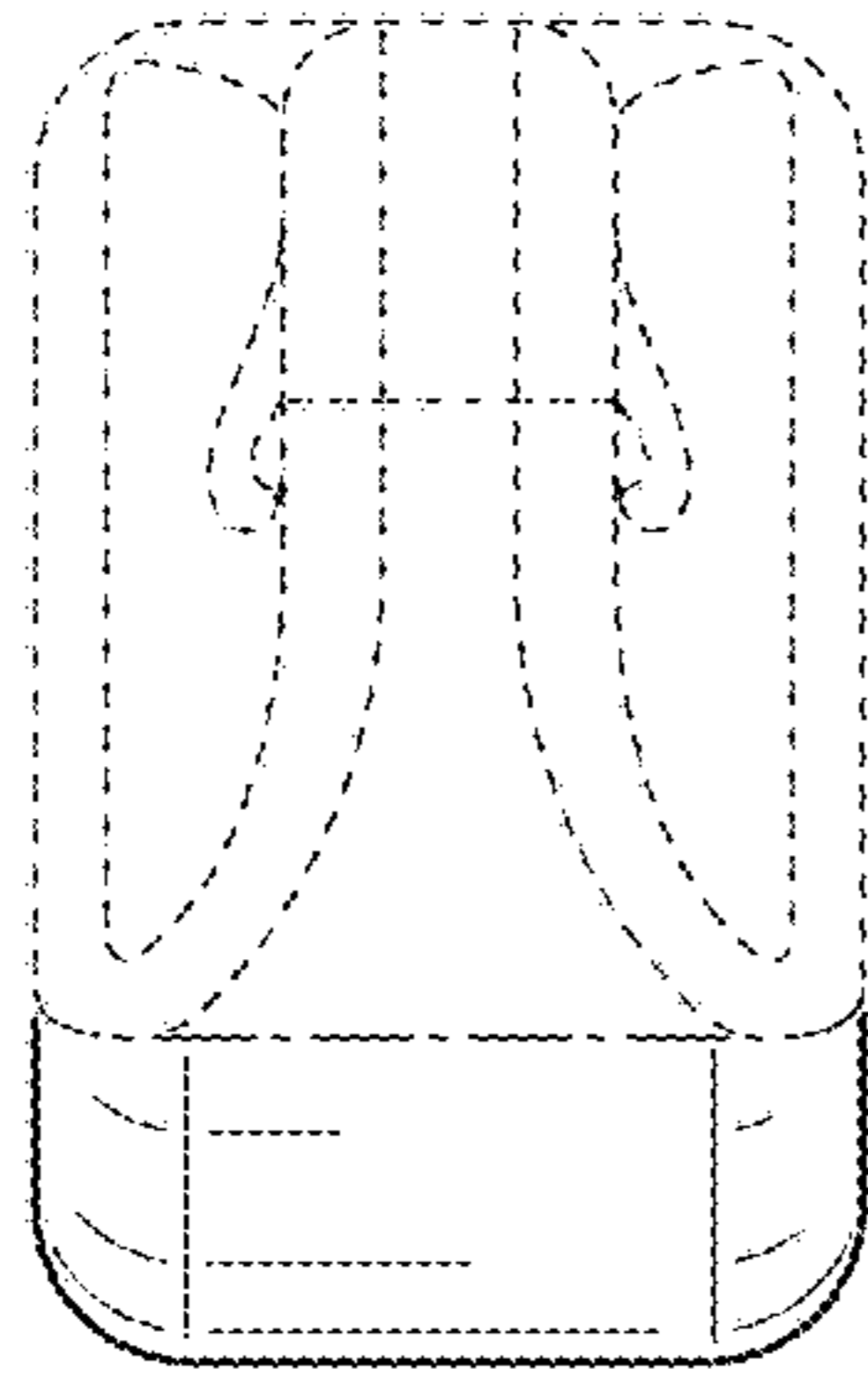


FIG. 4

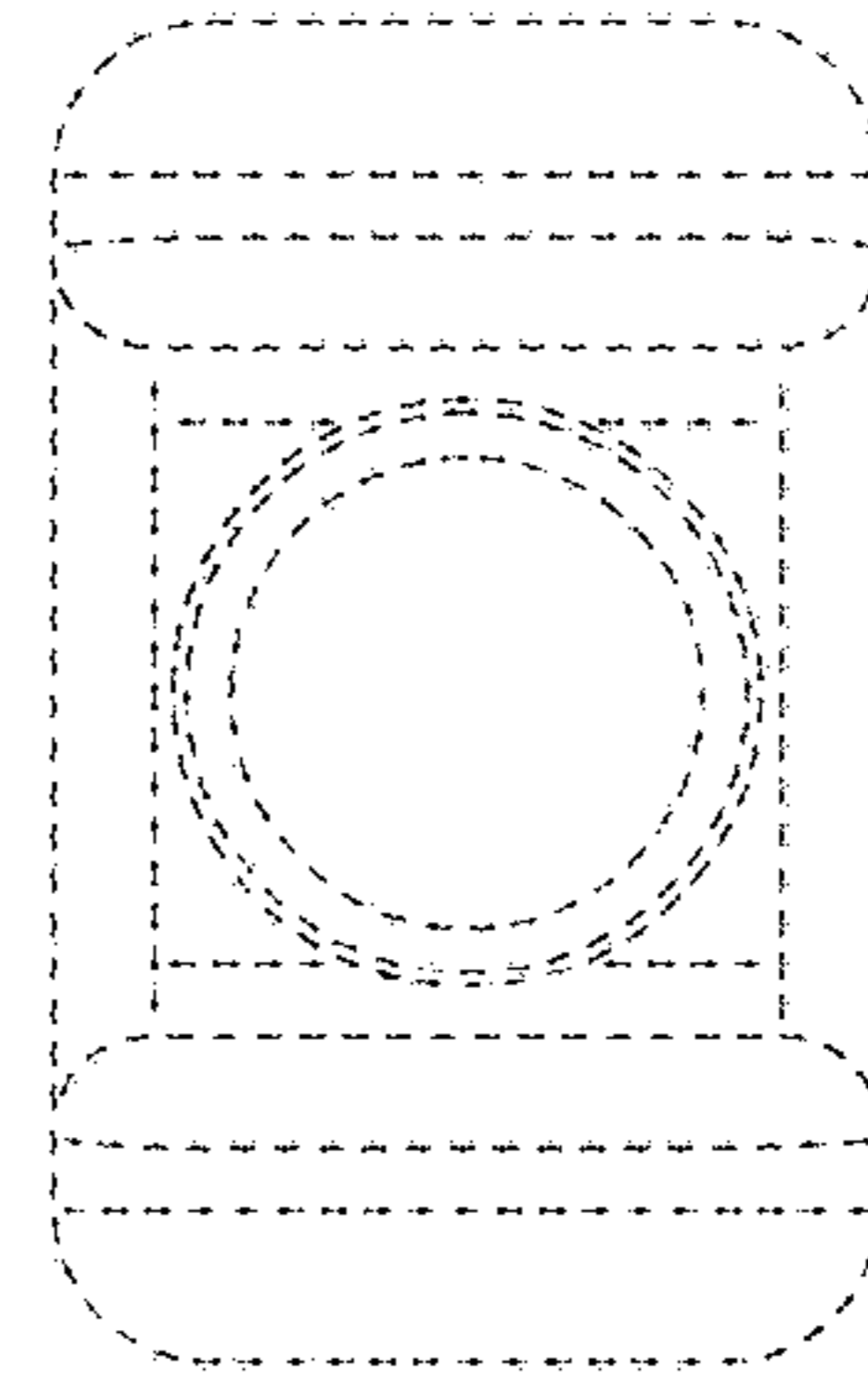


FIG. 5

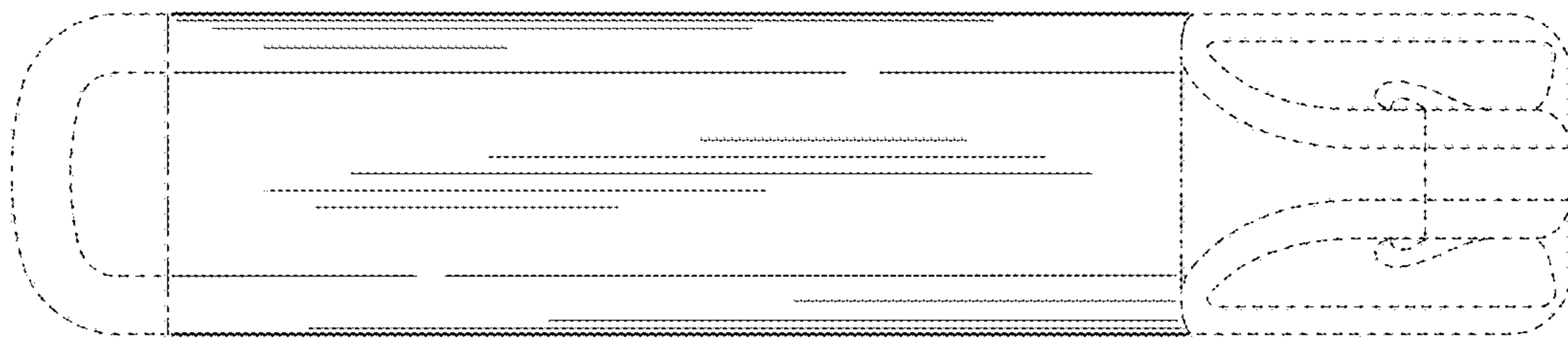


FIG. 6

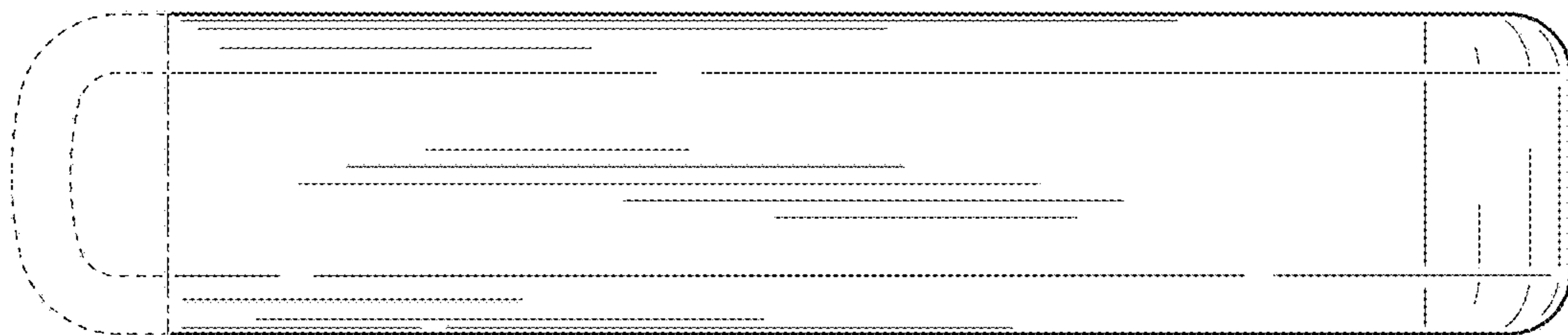


FIG. 7