



US00D783061S

(12) **United States Design Patent**
Kim et al.

(10) **Patent No.:** **US D783,061 S**

(45) **Date of Patent:** **** Apr. 4, 2017**

(54) **DOOR GUARD FOR REFRIGERATOR**

(71) Applicant: **Samsung Electronics Co., Ltd.**,
Suwon-si, Gyeonggi-do (KR)

(72) Inventors: **Aeryun Kim**, Ansan-si (KR); **Seon-Ju Lee**, Seoul (KR); **Jaemin Lee**, Incheon (KR); **Junhyeok Choi**, Seongnam-si (KR)

(73) Assignee: **SAMSUNG ELECTRONICS CO., LTD.**, Gyeonggi-Do (KR)

(**) Term: **15 Years**

(21) Appl. No.: **29/559,226**

(22) Filed: **Mar. 25, 2016**

(30) **Foreign Application Priority Data**

Oct. 29, 2015 (KR) 30-2015-0054472

(51) **LOC (10) Cl.** **15-07**

(52) **U.S. Cl.**
USPC **D15/89**

(58) **Field of Classification Search**

USPC D15/79-91
CPC F25D 11/00; F25D 11/02; F25D 13/00;
F25D 21/00; F25D 19/00; F25D 23/00;
F25D 2321/1441; F25D 2325/021; F25D
2325/022; F25D 2325/023

See application file for complete search history.

(56) **References Cited**

U.S. PATENT DOCUMENTS

D511,535 S * 11/2005 Grobleben D15/89
D513,757 S * 1/2006 Grobleben D15/89
D515,114 S * 2/2006 Grobleben D15/89
D603,883 S * 11/2009 Placke D15/89
D649,985 S * 12/2011 Jeon D15/89

D661,325 S * 6/2012 Yang D15/89
D676,468 S * 2/2013 Lee D15/89
D695,796 S * 12/2013 Lee D15/89
D707,267 S * 6/2014 Choi D15/89
D710,404 S * 8/2014 Park D15/89
D710,406 S * 8/2014 Seo D15/89
D716,850 S * 11/2014 Seo D15/89
D724,118 S * 3/2015 Kim D15/89
D733,770 S * 7/2015 Park D15/89

(Continued)

FOREIGN PATENT DOCUMENTS

CN 301849535 S 2/2012
CN 301861122 S 3/2012
KR 300457668 7/2007

Primary Examiner — Ian Simmons

Assistant Examiner — Khawaja Anwar

(74) *Attorney, Agent, or Firm* — Cantor Colburn, LLP

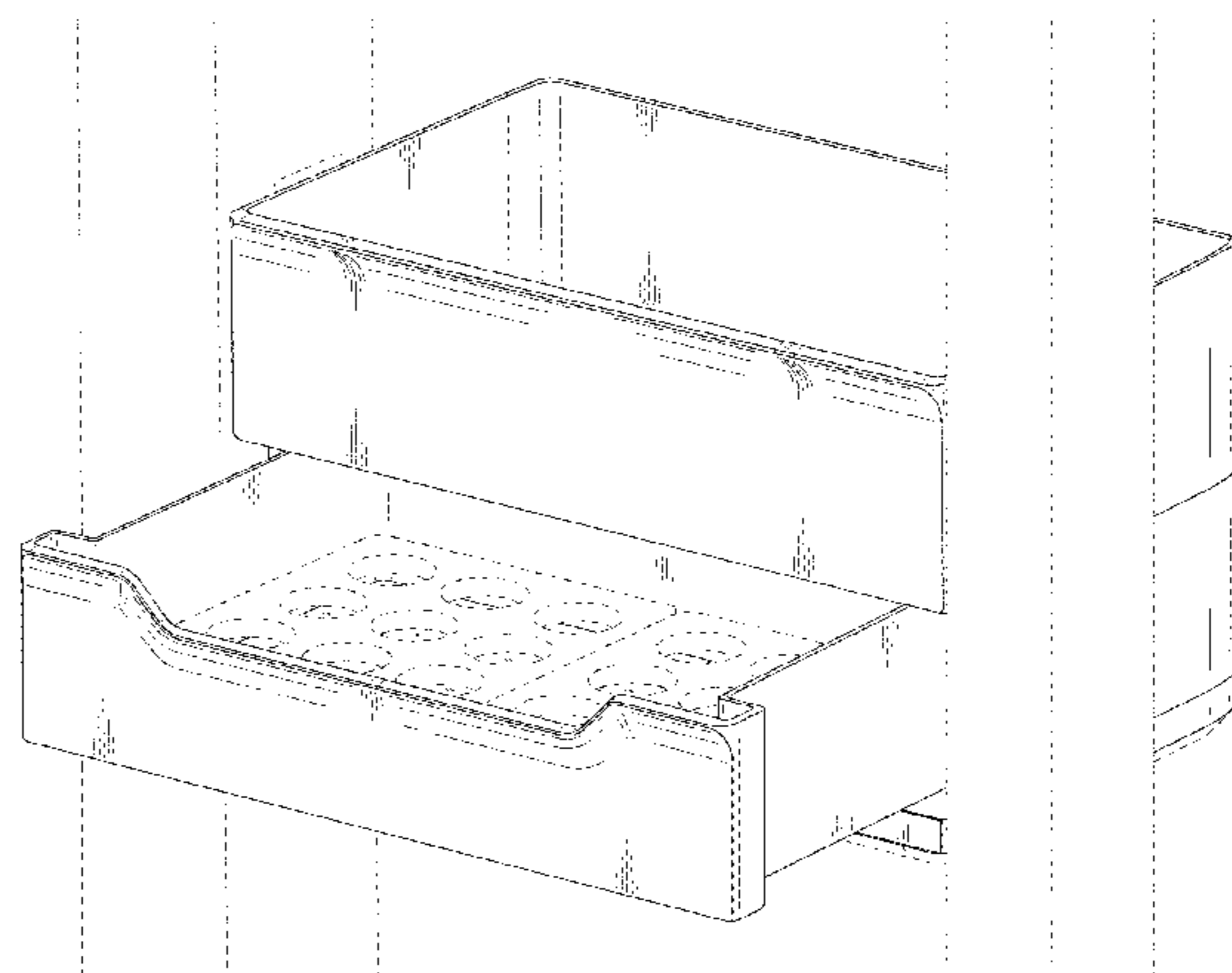
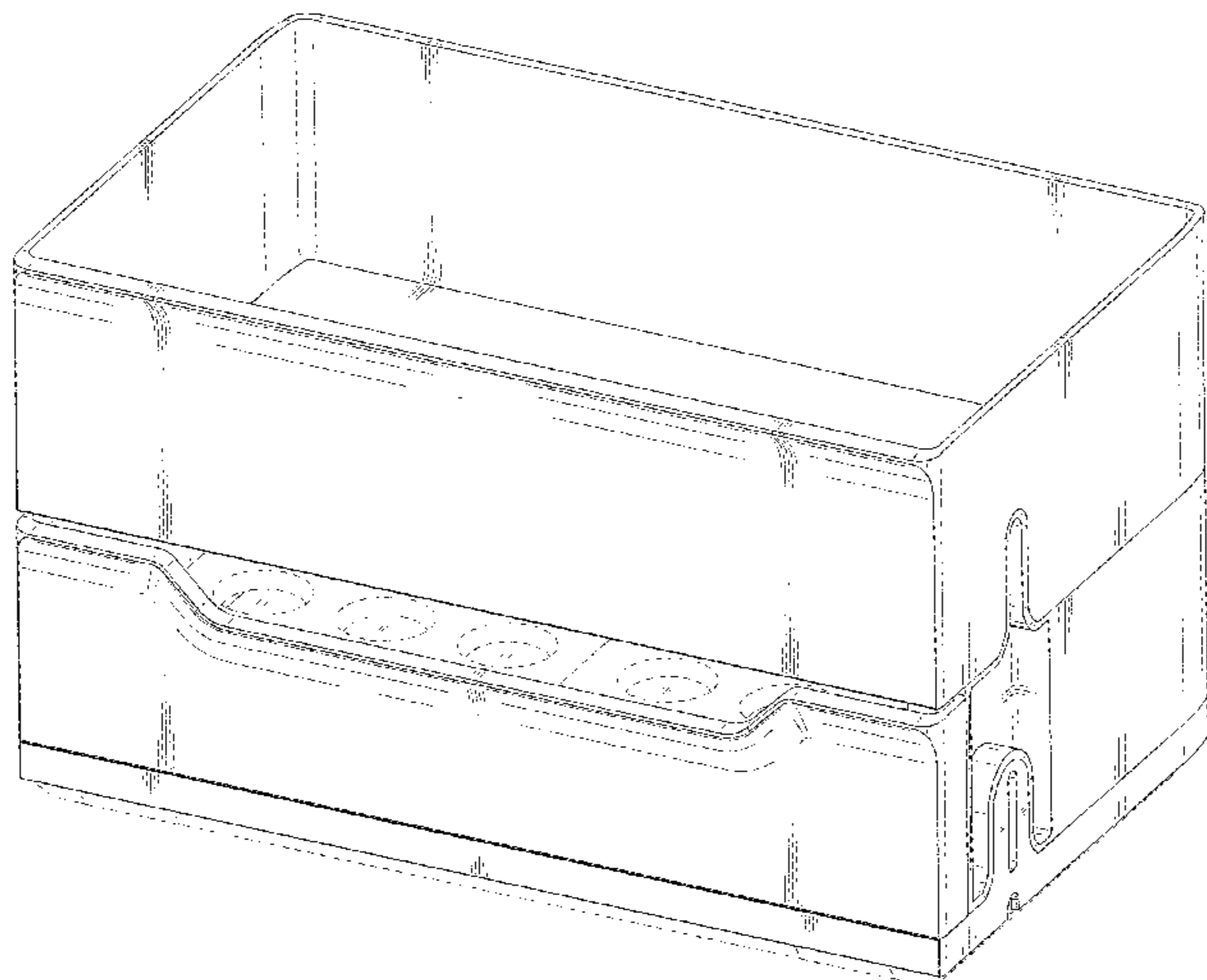
(57) **CLAIM**

The ornamental design for a door guard for refrigerator, as shown and described.

DESCRIPTION

FIG. 1 is a front perspective view of a door guard for refrigerator, showing our new design;
FIG. 2 is a front view thereof;
FIG. 3 is a rear view thereof;
FIG. 4 is a left side view thereof;
FIG. 5 is a right side view thereof;
FIG. 6 is a top view thereof;
FIG. 7 is a bottom view thereof;
FIG. 8 is a cross-sectional view taken along line 8-8 of FIG. 2; and,
FIG. 9 is another front perspective view thereof shown in an environment of use.
The broken lines illustrating portions of a door guard for refrigerator form no part of the claimed design.

1 Claim, 9 Drawing Sheets



(56)

References Cited

U.S. PATENT DOCUMENTS

D745,068 S	*	12/2015	Jeon	D15/89
D745,581 S	*	12/2015	Jeon	D15/89
D747,373 S	*	1/2016	Lee	D15/89
D753,197 S	*	4/2016	Lee	D15/89
D754,218 S	*	4/2016	Jeon	D15/89
D759,734 S	*	6/2016	Lee	D15/89
D766,345 S	*	9/2016	Lee	D15/89

* cited by examiner

FIG. 1

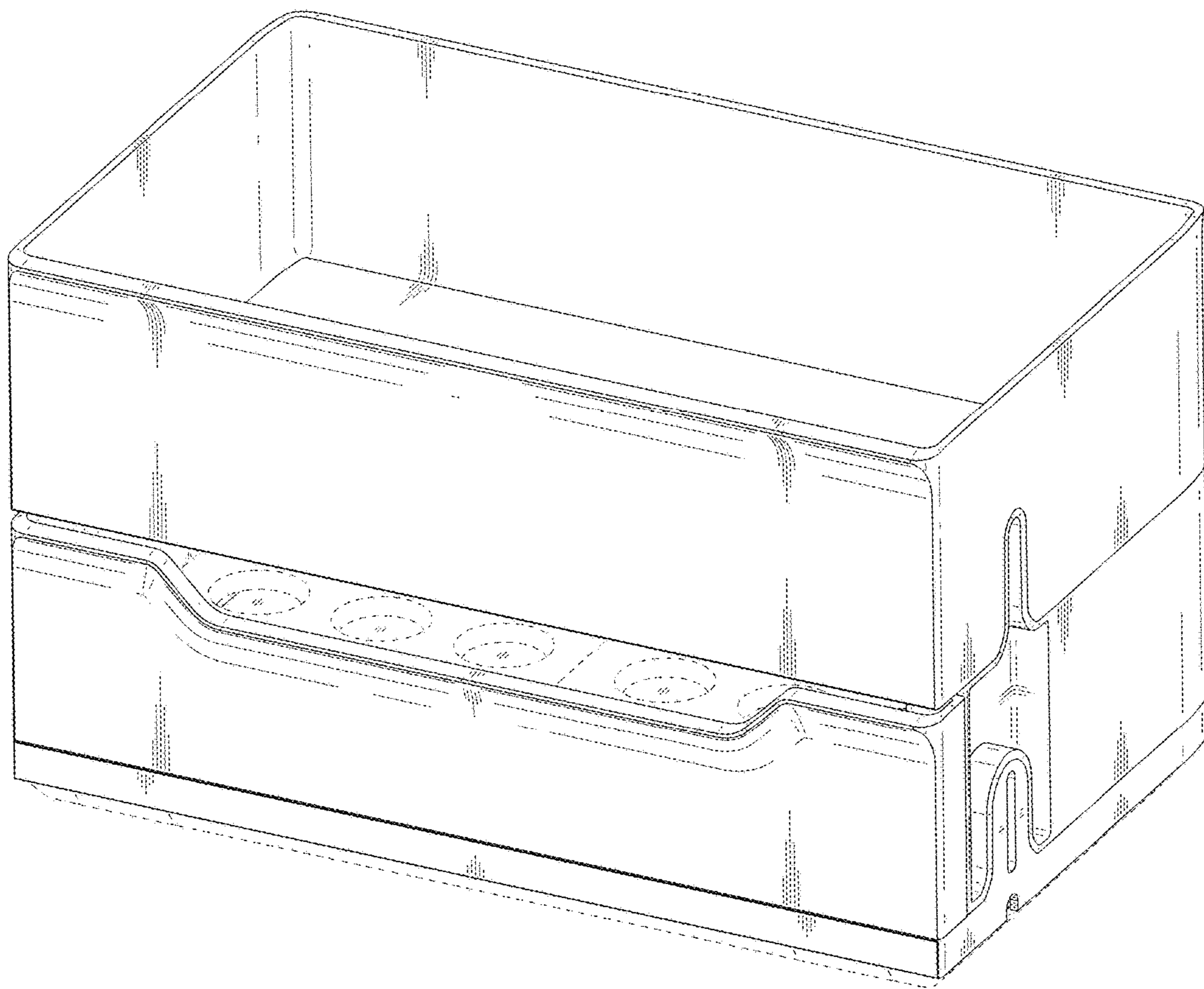


FIG. 2

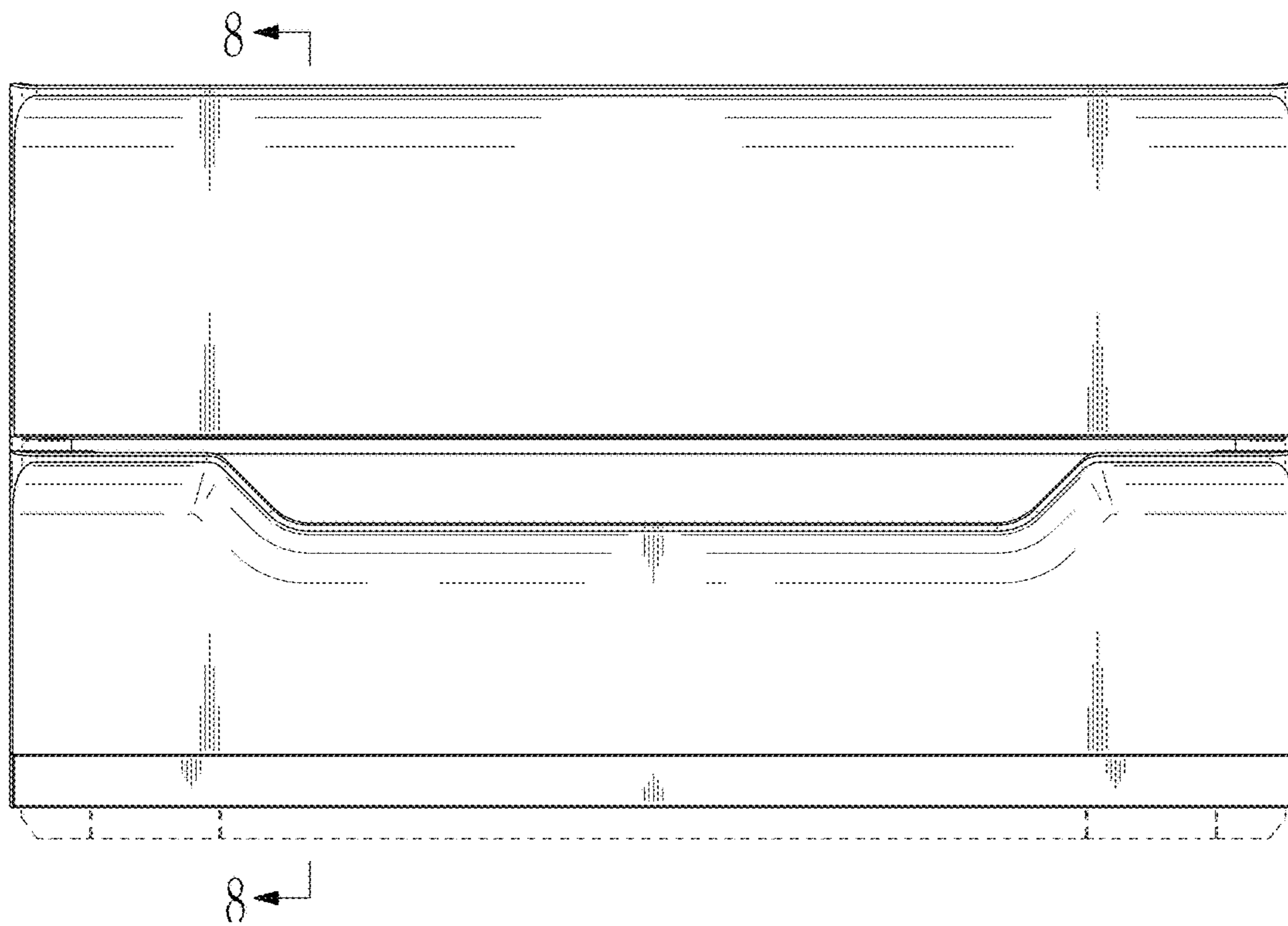


FIG. 3

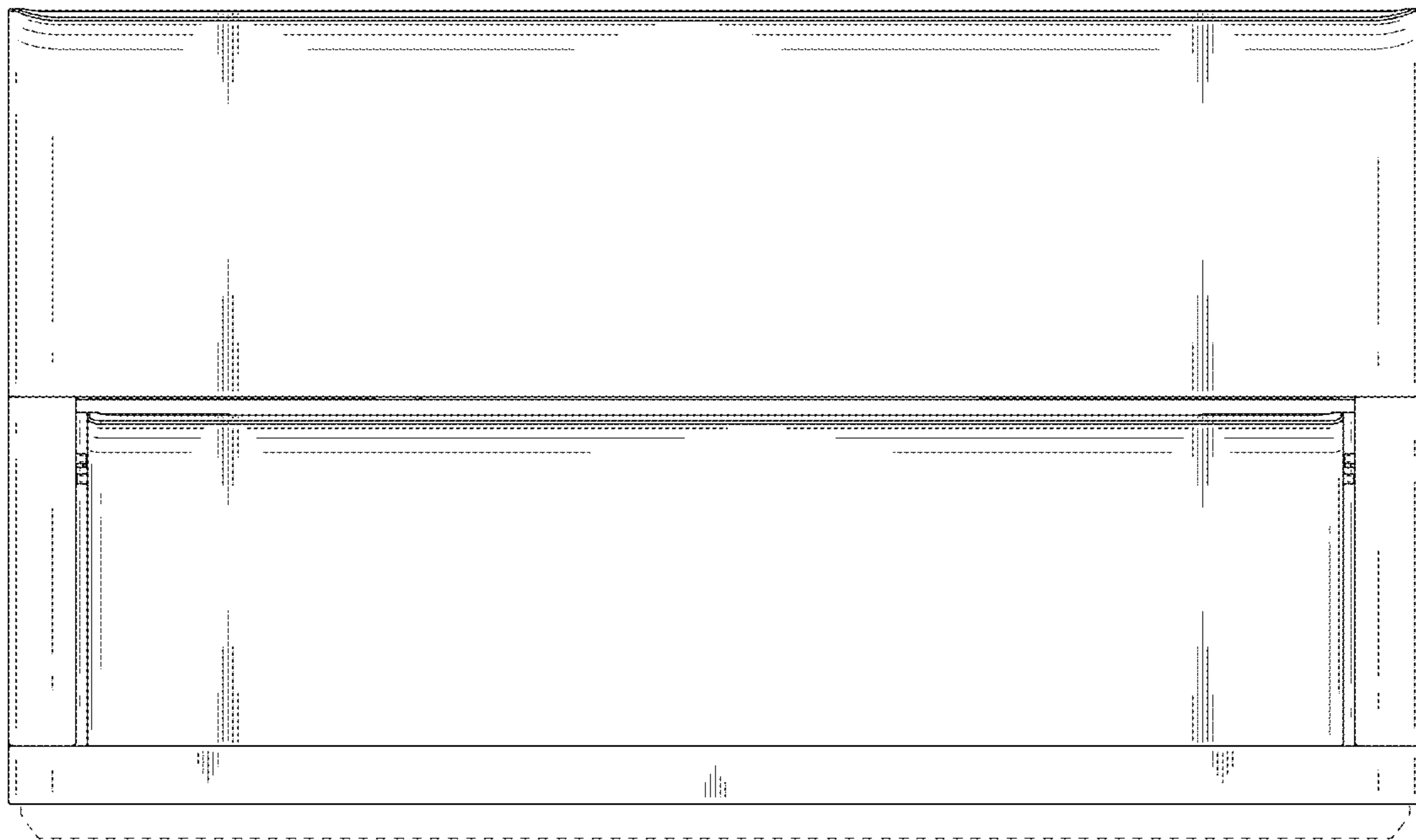


FIG. 4

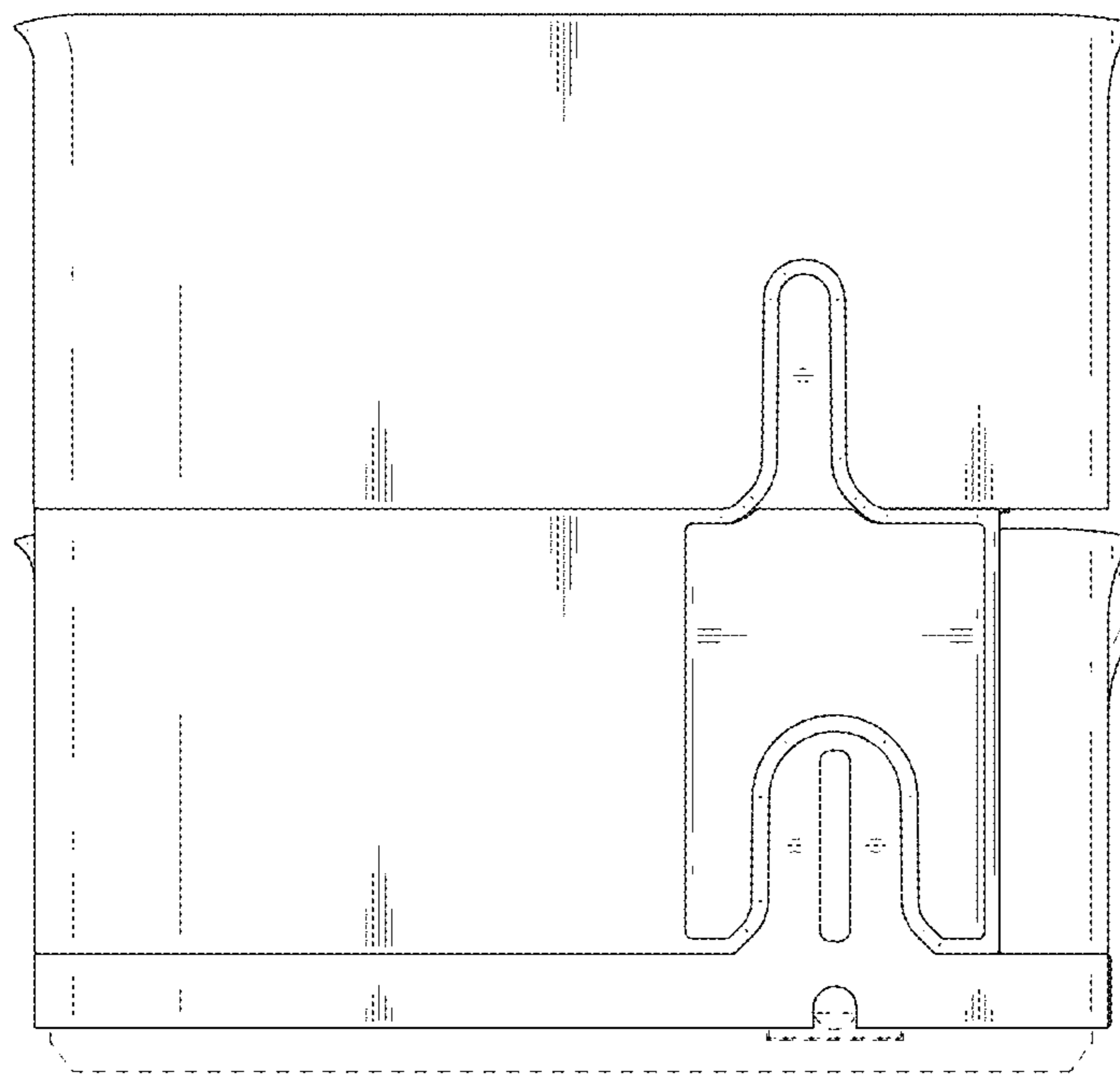


FIG. 5

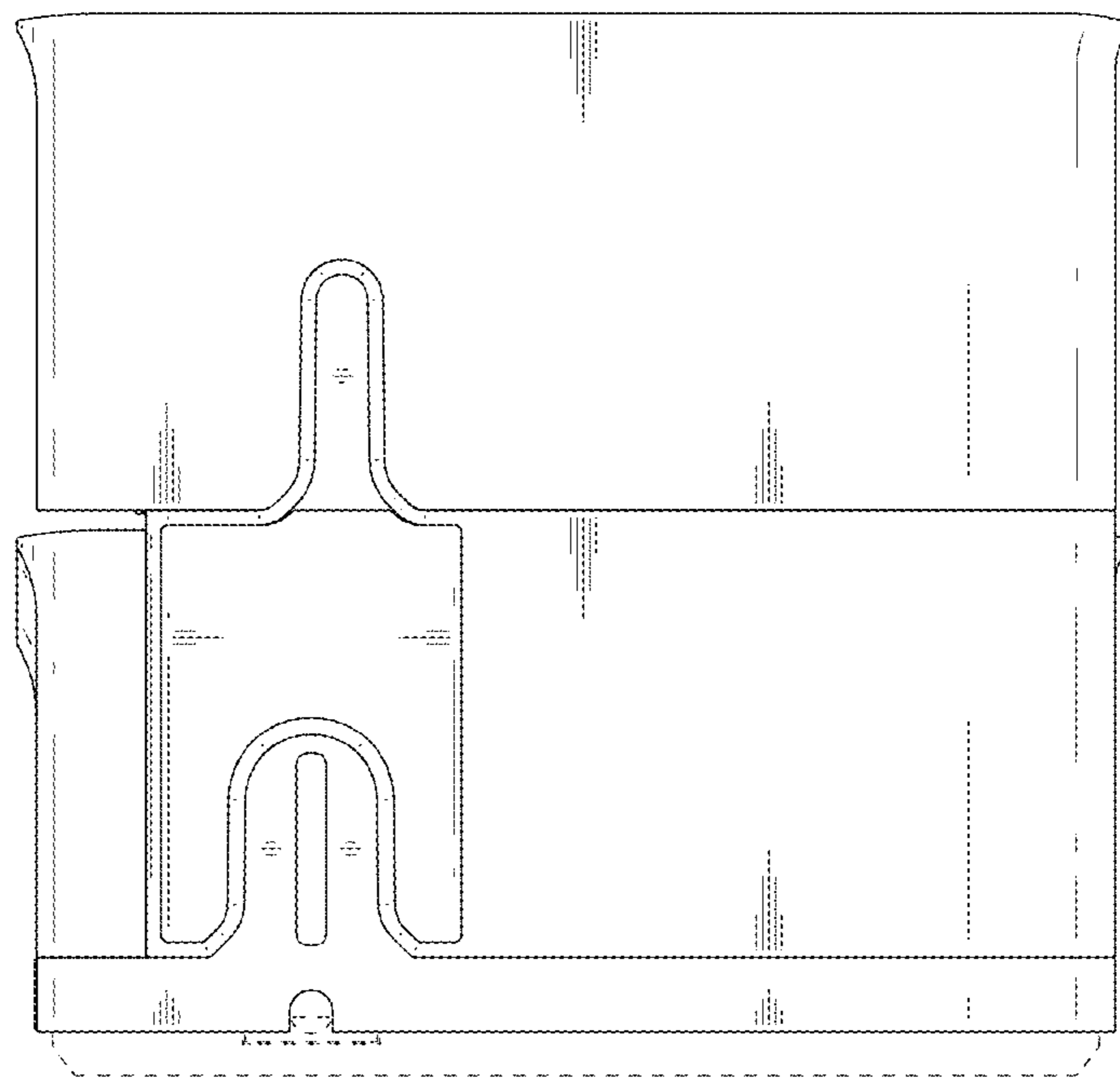


FIG. 6

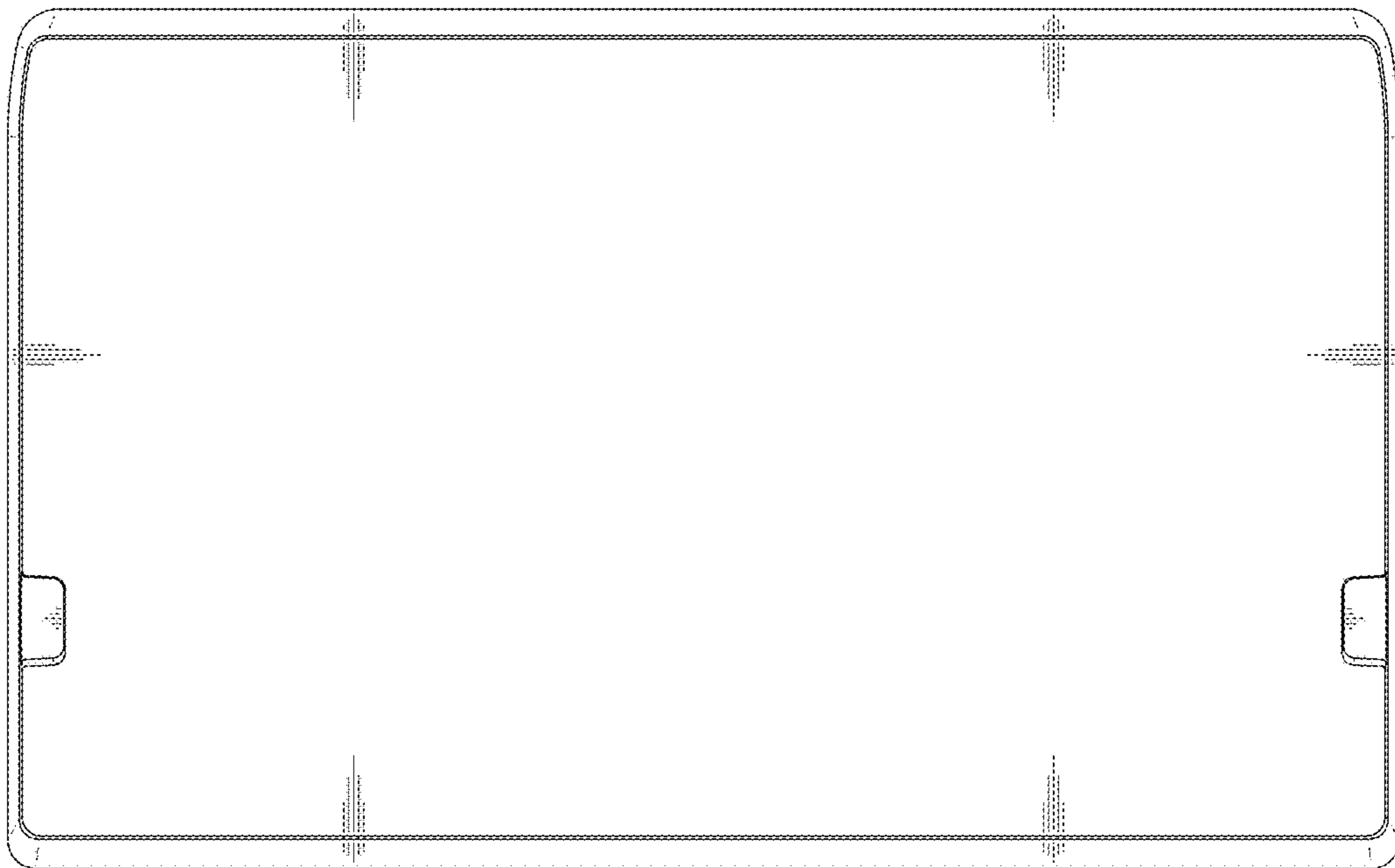


FIG. 7

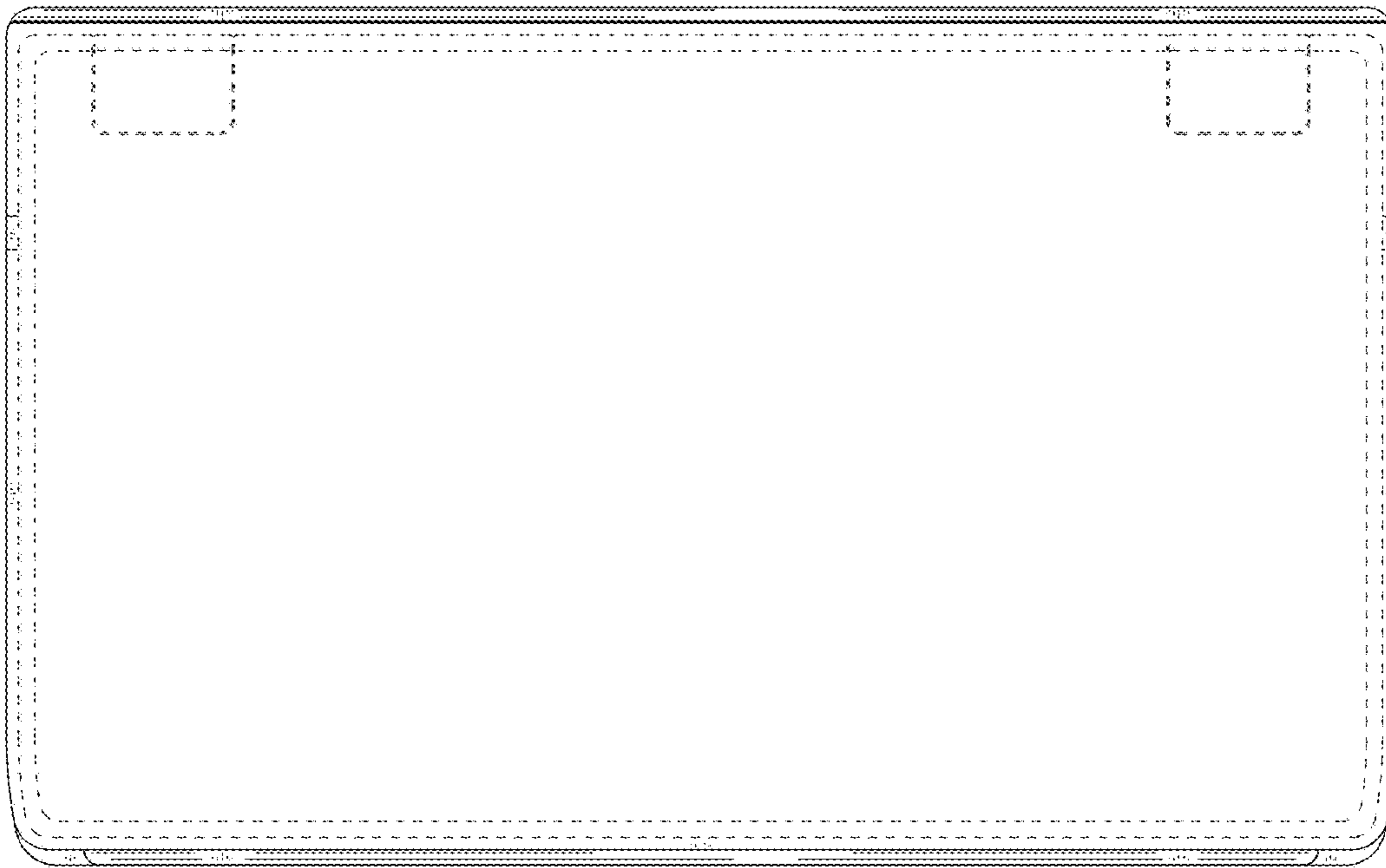


FIG. 8

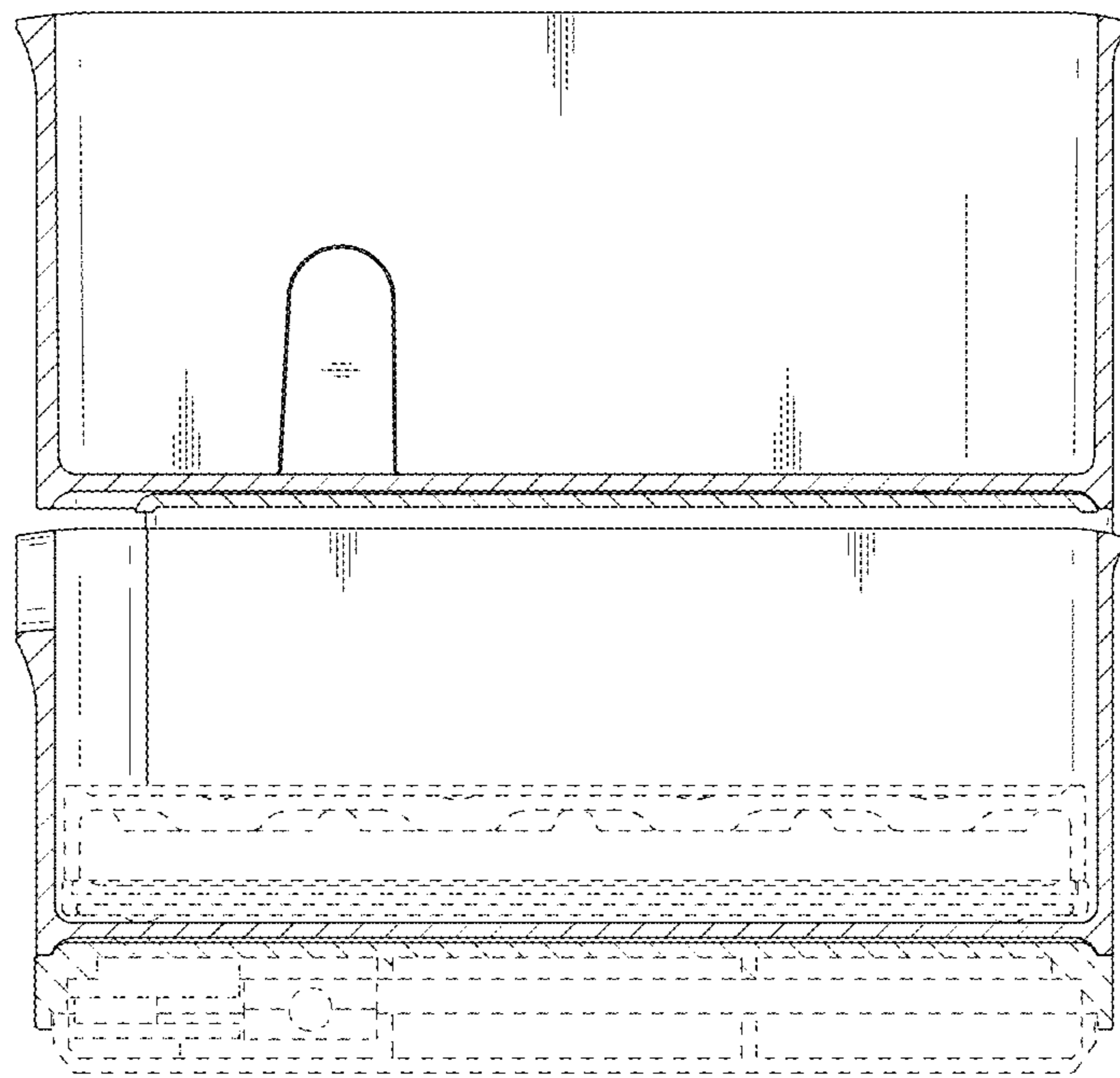


FIG. 9

