



US00D783060S

(12) **United States Design Patent** (10) **Patent No.:** **US D783,060 S**
Bassett et al. (45) **Date of Patent:** **** Apr. 4, 2017**

- (54) **MERGER** 6,205,757 B1 * 3/2001 Dow A01D 57/20
56/366
- (71) Applicant: **KUHN NORTH AMERICA, INC.,** 7,562,719 B1 * 7/2009 Misenhelder A01B 73/065
Brodhead, WI (US) 172/311
- (72) Inventors: **William Bassett**, Brodhead, WI (US); 8,091,331 B2 * 1/2012 Dow A01B 73/02
Damion Babler, Brodhead, WI (US); 56/192
Dennis Williams, Brodhead, WI (US); 8,186,138 B2 * 5/2012 Dow A01B 73/02
Shane Williams, Brodhead, WI (US) 56/15.8
- (73) Assignee: **KUHN NORTH AMERICA, INC.,** 8,726,621 B2 * 5/2014 Ritter A01D 41/141
Brodhead, WI (US) 56/10.2 E
- (**) Term: **15 Years** 8,863,489 B2 * 10/2014 Landon A01D 57/28
56/192
- (21) Appl. No.: **29/543,829** 8,919,088 B2 * 12/2014 Dow A01B 73/00
56/192
- (22) Filed: **Oct. 28, 2015** 9,095,093 B2 * 8/2015 Hyronimus A01D 75/00
2010/0037584 A1 * 2/2010 Dow A01B 73/02
56/376

(Continued)

Primary Examiner — Mark Goodwin
(74) *Attorney, Agent, or Firm* — Oblon, McClelland,
Maier & Neustadt, L.L.P.

Related U.S. Application Data

- (63) Continuation of application No. 14/798,184, filed on
Jul. 13, 2015.
- (51) **LOC (10) Cl.** **15-03**
- (52) **U.S. Cl.**
USPC **D15/27**
- (58) **Field of Classification Search**
USPC D15/10, 27, 28; 56/376, 192, 15.8,
56/10.2 E, 208, DIG. 10, 228
CPC A01D 84/00; A01D 89/002; A01D 89/001;
A01D 57/28; A01D 57/20; A01D 41/141;
A01D 41/14; A01D 41/10; A01D 43/08;
A01D 61/002; A01D 78/001
See application file for complete search history.

(57) **CLAIM**

The ornamental design for a merger, as shown and described.

DESCRIPTION

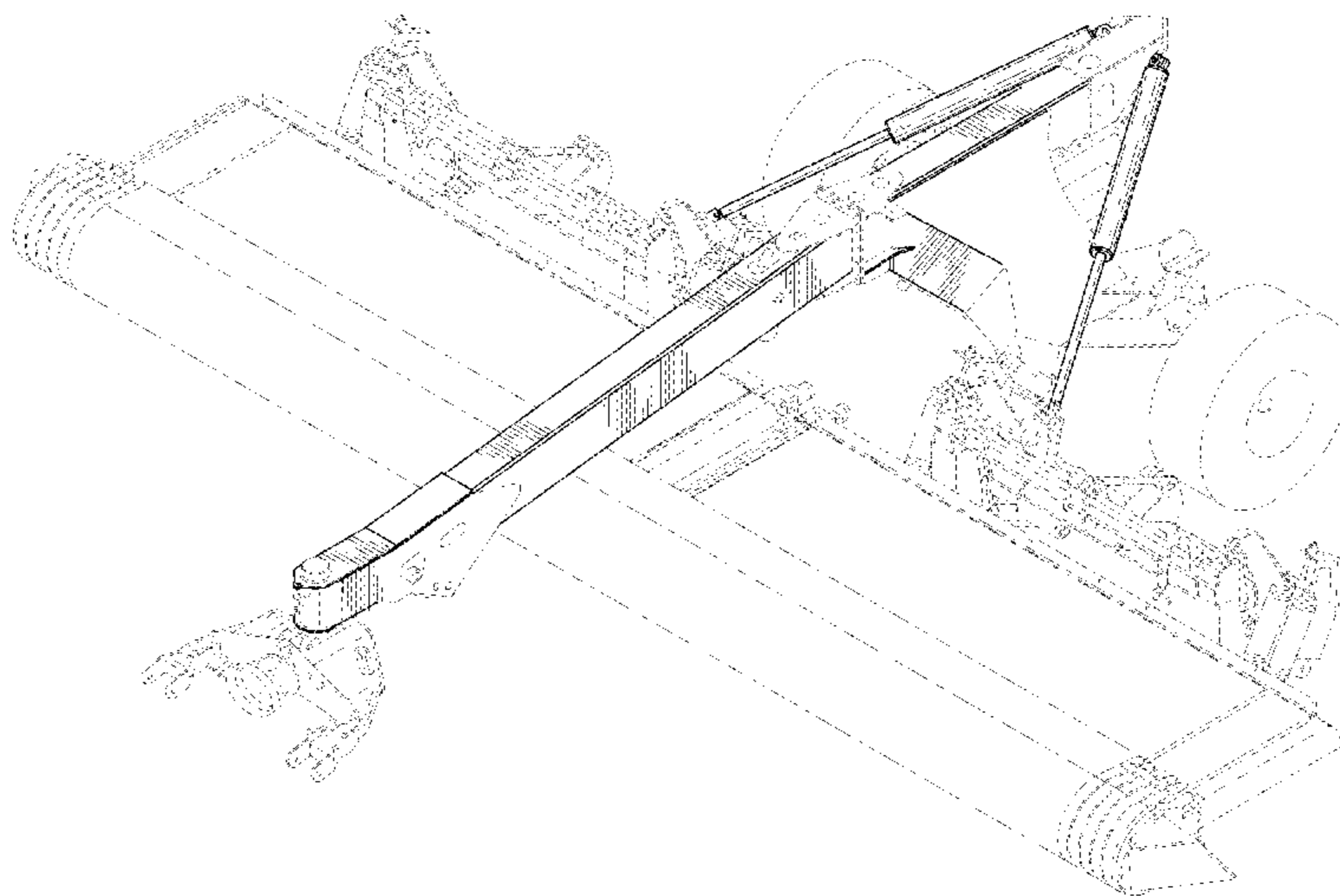
FIG. 1 is a top perspective view of a merger;
FIG. 2 is a right side elevational view thereof, the left side
elevational view thereof being a mirror image of the right
side elevational view;
FIG. 3 is a rear elevational view thereof;
FIG. 4 is a front elevational view thereof;
FIG. 5 is a top plan view thereof; and,
FIG. 6 is a bottom plan view thereof.
The broken lines in the drawings depict environmental
subject matter only and form no part of the claimed design.

1 Claim, 6 Drawing Sheets

(56) **References Cited**

U.S. PATENT DOCUMENTS

- 3,515,408 A * 6/1970 Cagle B62D 53/062
172/240
- 5,956,934 A * 9/1999 Wright A01D 78/144
172/311



(56)

References Cited

U.S. PATENT DOCUMENTS

2010/0077712 A1* 4/2010 Nathan A01D 41/141
56/10.2 E
2012/0247078 A1* 10/2012 Landon A01D 57/28
56/192
2013/0014481 A1* 1/2013 Dow A01B 73/00
56/13.5
2014/0260168 A1 9/2014 Clark et al.
2015/0282421 A1* 10/2015 Barnett A01B 63/22
56/228
2016/0044868 A1* 2/2016 Bassett A01D 57/20
56/376

* cited by examiner

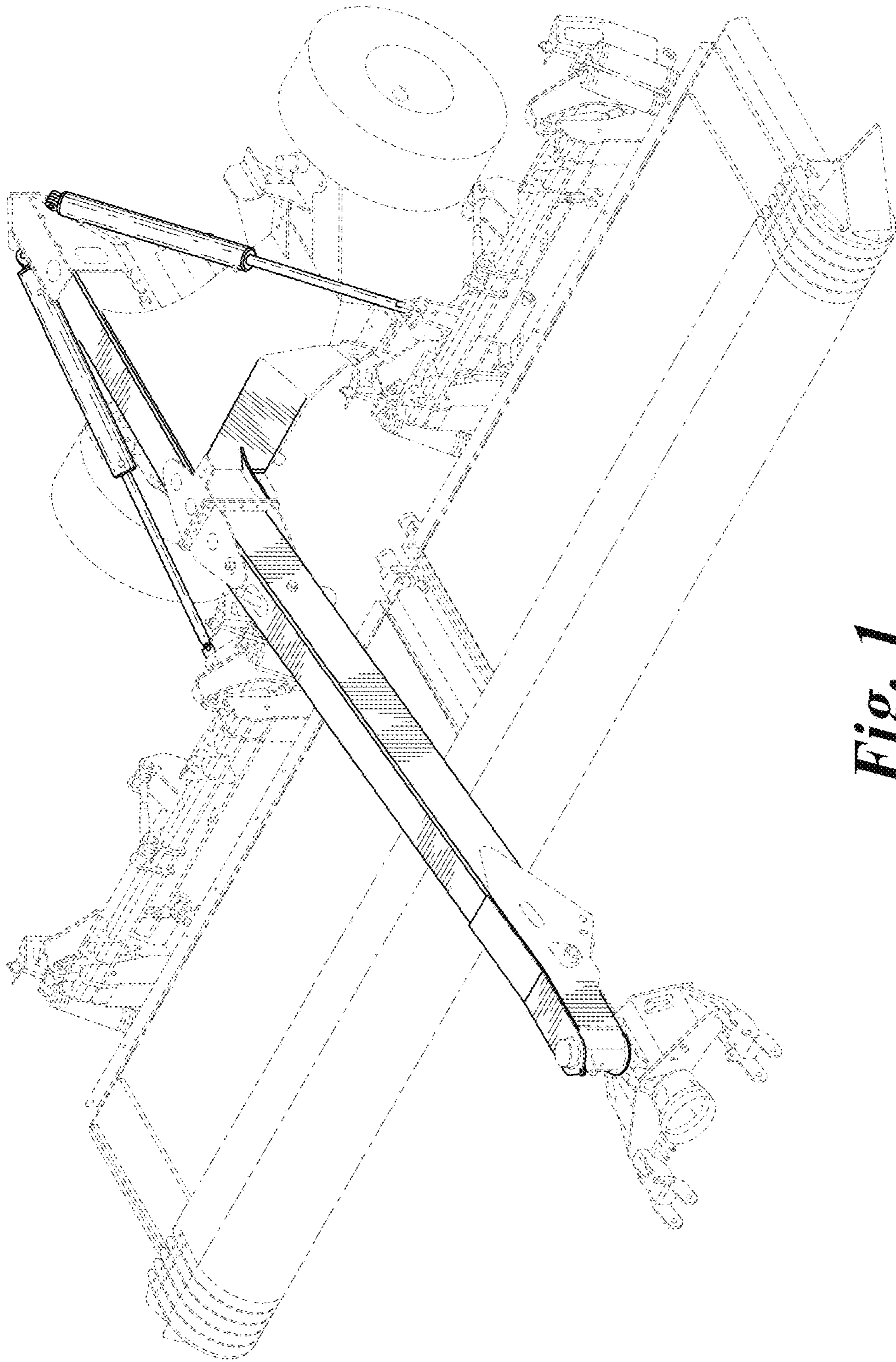


Fig. 1

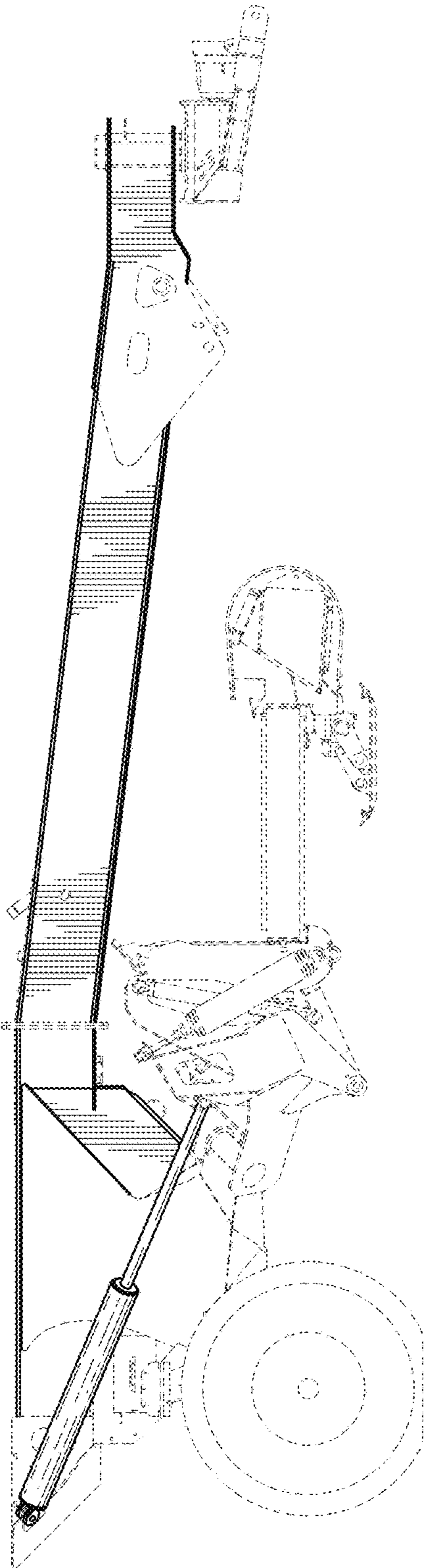


Fig. 2

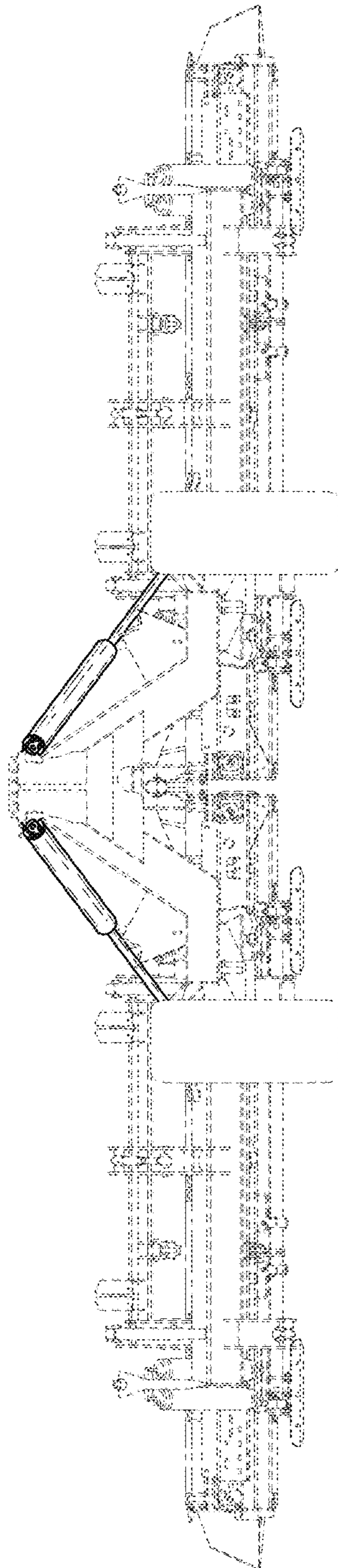


Fig. 3

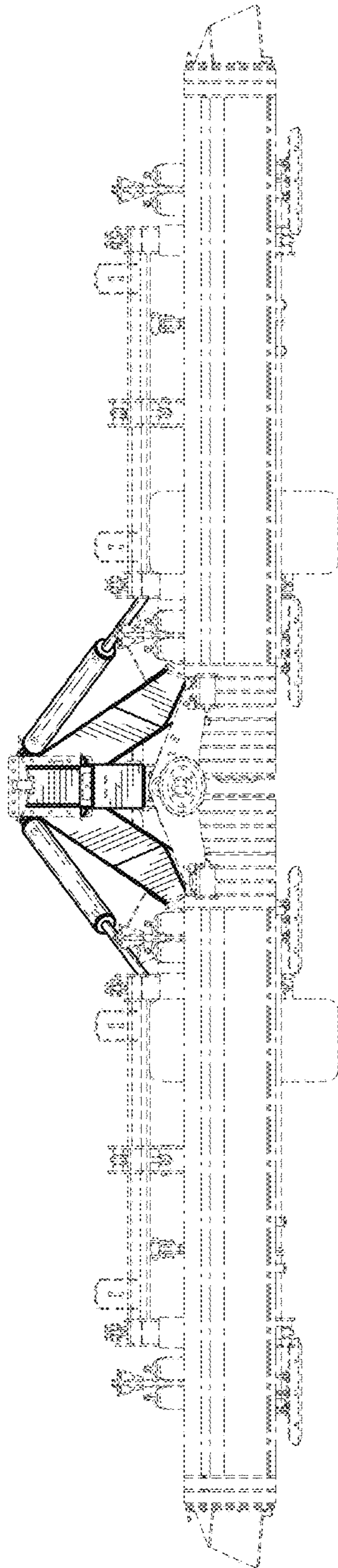


Fig. 4

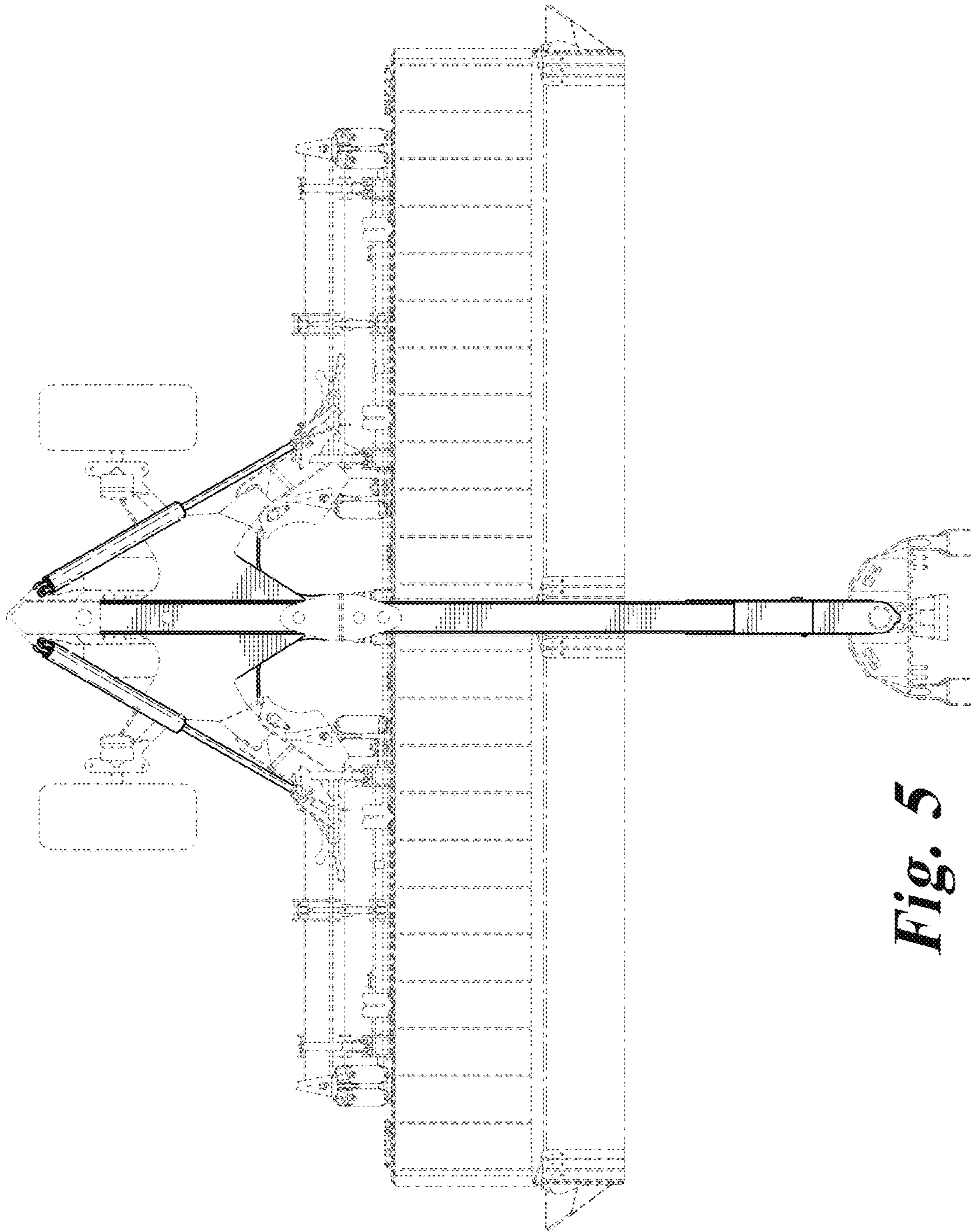


Fig. 5

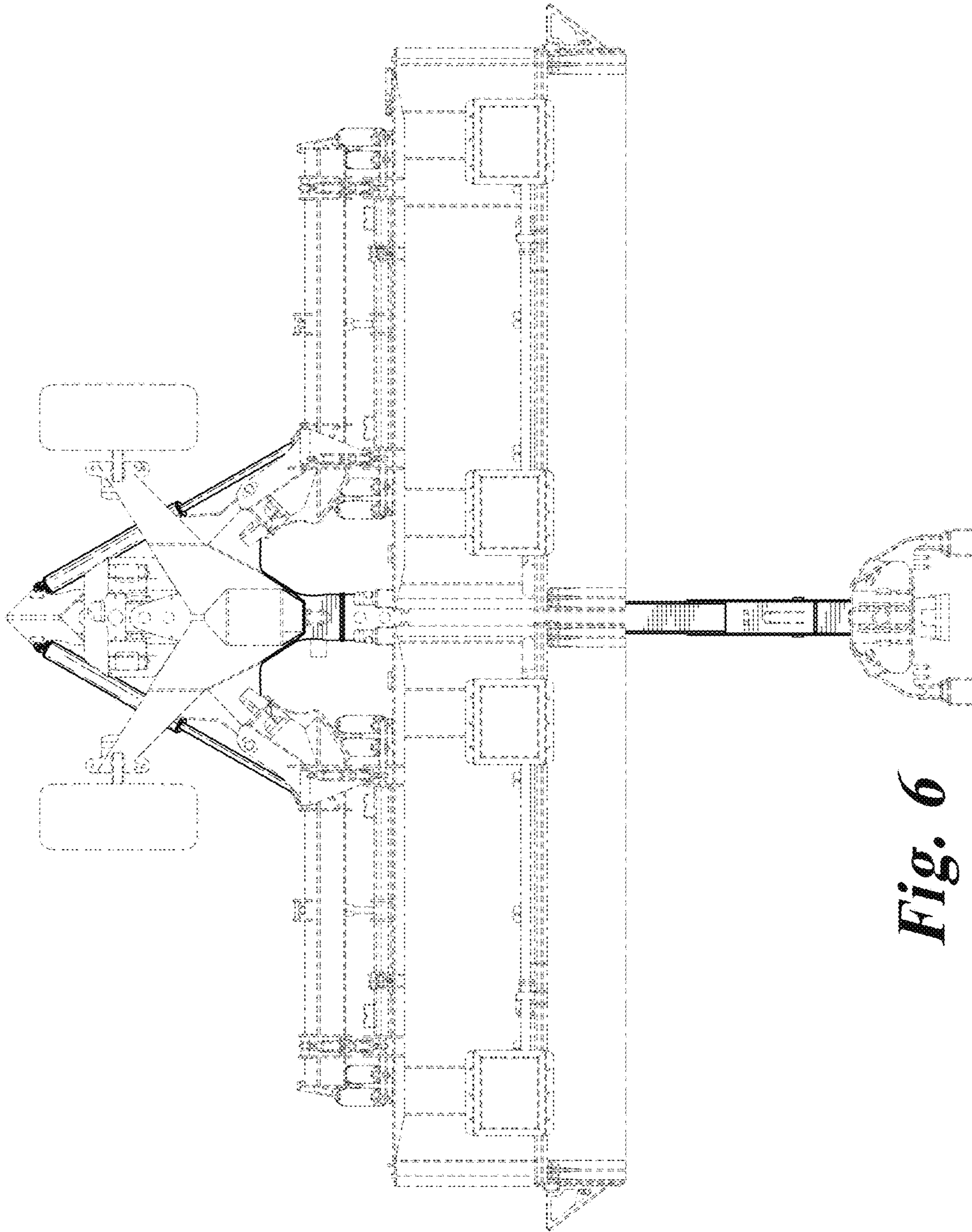


Fig. 6

UNITED STATES PATENT AND TRADEMARK OFFICE
CERTIFICATE OF CORRECTION

PATENT NO. : D783,060 S
APPLICATION NO. : 29/543829
DATED : April 4, 2017
INVENTOR(S) : William J. Bassett et al.

Page 1 of 1

It is certified that error appears in the above-identified patent and that said Letters Patent is hereby corrected as shown below:

On the Title Page

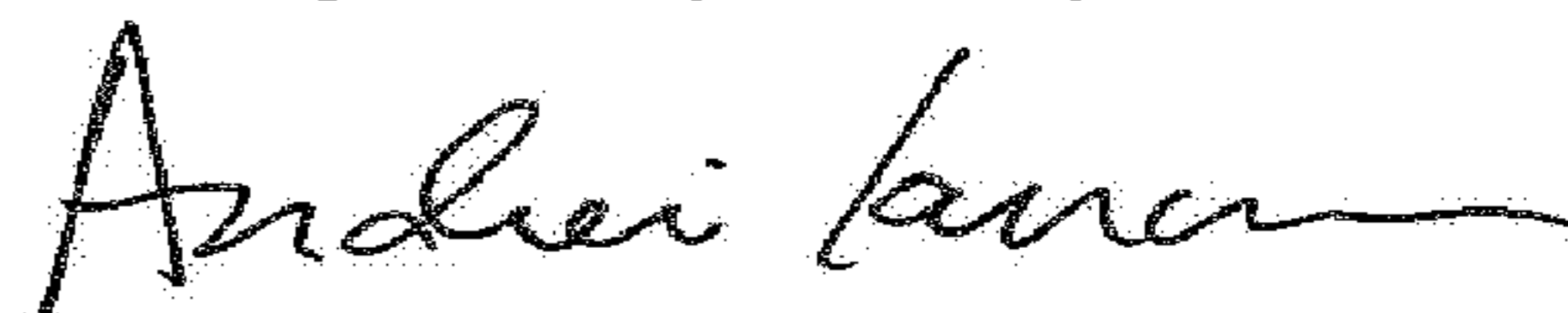
The Related U.S. Application Data Information is incomplete. Item (60) is omitted. Item (60) should read:

-- Related U.S. Application Data

(63) Continuation of application No. 14/798,184, filed on Jul. 13, 2015.

(60) Provisional application No. 62/037,992, filed on Aug. 15, 2014. --

Signed and Sealed this
Eighth Day of May, 2018



Andrei Iancu
Director of the United States Patent and Trademark Office