



US00D783059S

(12) **United States Design Patent**
Okuyama et al.

(10) **Patent No.:** **US D783,059 S**

(45) **Date of Patent:** **** Apr. 4, 2017**

(54) **TRACTOR**

(71) Applicant: **YANMAR CO., LTD.**, Osaka-shi,
Osaka (JP)

(72) Inventors: **Kiyoyuki Okuyama**, Yamagata (JP);
Shinya Kawashiri, Osaka (JP)

(73) Assignee: **YANMAR CO., LTD.**, Osaka (JP)

(**) Term: **15 Years**

(21) Appl. No.: **29/533,376**

(22) Filed: **Jul. 16, 2015**

(30) **Foreign Application Priority Data**

Jan. 19, 2015 (JP) D2015-863

(51) **LOC (10) Cl.** **12-09**

(52) **U.S. Cl.**
USPC **D15/23**

(58) **Field of Classification Search**
USPC .. D15/10, 11, 15, 17, 22, 23, 25, 26, 28, 30
CPC B62D 49/00; B62D 49/06; B62D 49/0671;
B62D 49/0692; B62D 33/06; B62D
33/0617

See application file for complete search history.

(56) **References Cited**

U.S. PATENT DOCUMENTS

- D438,546 S * 3/2001 Katoh D15/23
- D542,308 S * 5/2007 Oka D15/23
- D613,313 S * 4/2010 Bhanuprakash D15/23
- D668,270 S * 10/2012 Kushita D15/23
- D693,374 S * 11/2013 Chlystek D15/23
- D693,375 S * 11/2013 Chlystek D15/23
- D710,911 S * 8/2014 Iwata D15/23
- D717,838 S * 11/2014 Kuwae D15/23

- D729,851 S * 5/2015 Kushita D15/23
- D747,363 S * 1/2016 Okuyama D15/22
- D748,677 S * 2/2016 Kushita D15/26
- D749,144 S * 2/2016 Higashikawa D15/23
- D749,645 S * 2/2016 Okuyama D15/26
- D752,650 S * 3/2016 Margutti D15/23

(Continued)

FOREIGN PATENT DOCUMENTS

- CN 303530957 S 12/2015
- CN 303530959 S 12/2015

(Continued)

Primary Examiner — Ian Simmons

Assistant Examiner — Khawaja Anwar

(74) *Attorney, Agent, or Firm* — Sterne, Kessler,
Goldstein & Fox P.L.L.C.

(57) **CLAIM**

The ornamental design for a tractor, as shown and described.

DESCRIPTION

FIG. 1 is a front perspective view of a tractor showing our new design;

FIG. 2 is a right side view thereof;

FIG. 3 is a left side view thereof;

FIG. 4 is a top view thereof;

FIG. 5 is a bottom view thereof;

FIG. 6 is a front view thereof;

FIG. 7 is a rear view thereof; and,

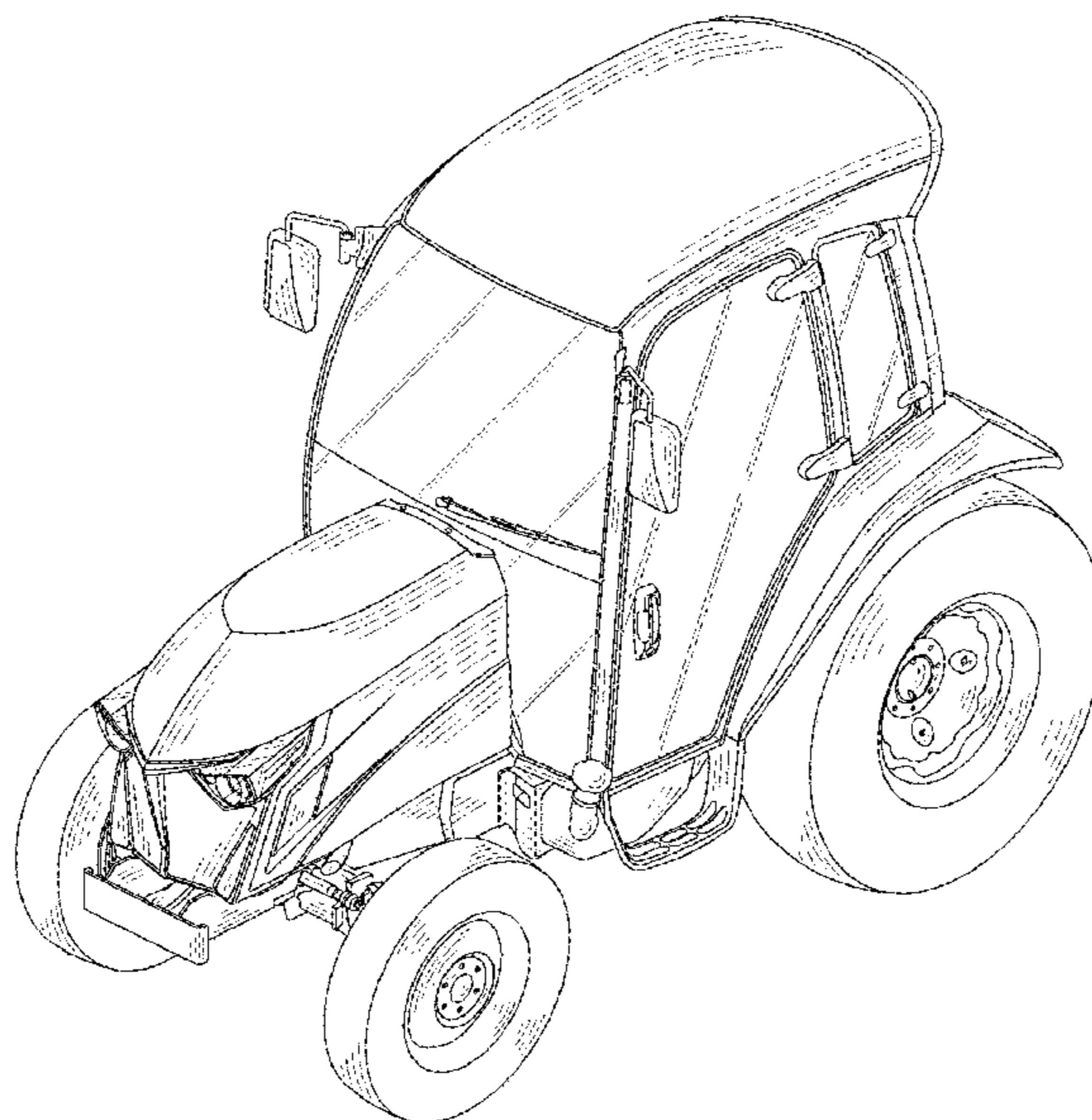
FIG. 8 is an enlarged view of a portion of the tractor showing our new design.

The shade lines in the Figures show contour and not surface ornamentation.

The oblique shade lines in the Figures show transparency or translucency.

The broken lines in the figures show portions of the tractor that form no part of the claimed design.

1 Claim, 7 Drawing Sheets



(56)

References Cited

U.S. PATENT DOCUMENTS

D753,730 S	*	4/2016	Margutti	D15/23
D754,210 S	*	4/2016	Margutti	D15/23
D756,421 S	*	5/2016	Okuyama	D15/26
D759,128 S	*	6/2016	Yang	D15/23
D759,730 S	*	6/2016	Okuyama	D15/26

FOREIGN PATENT DOCUMENTS

CN	303550306 S	1/2016
CN	303584659 S	2/2016

* cited by examiner

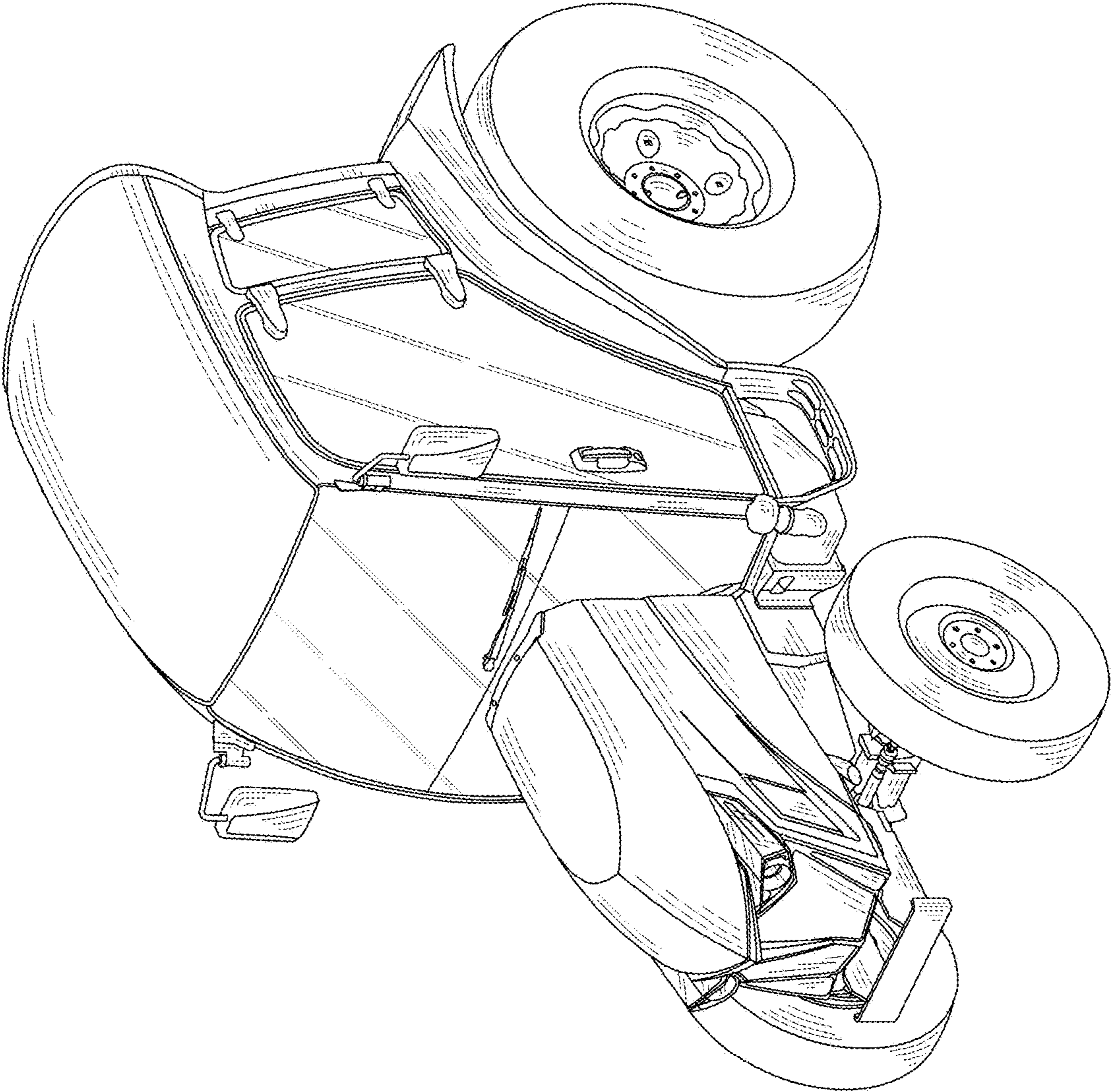


FIG. 1

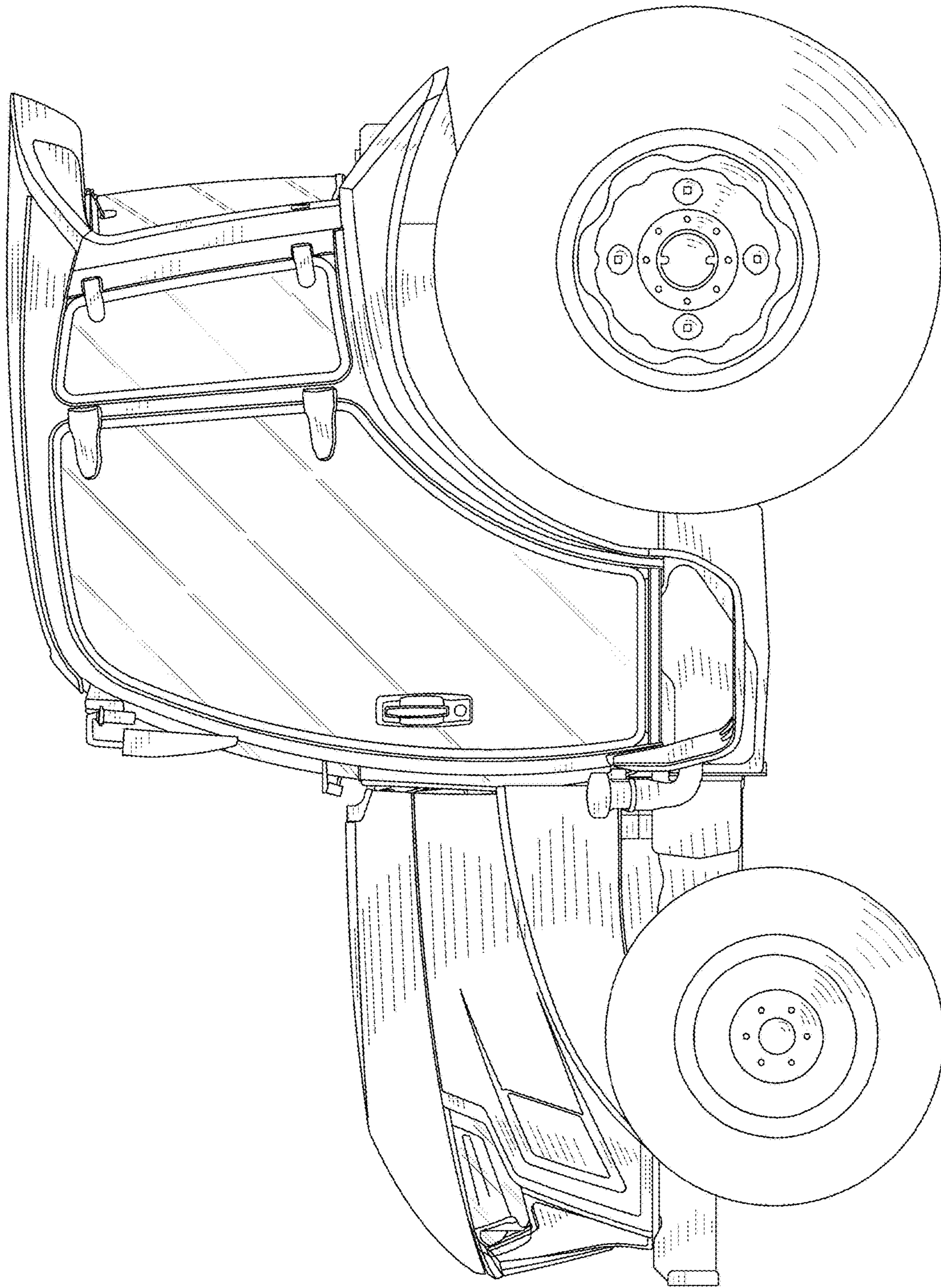


FIG. 2

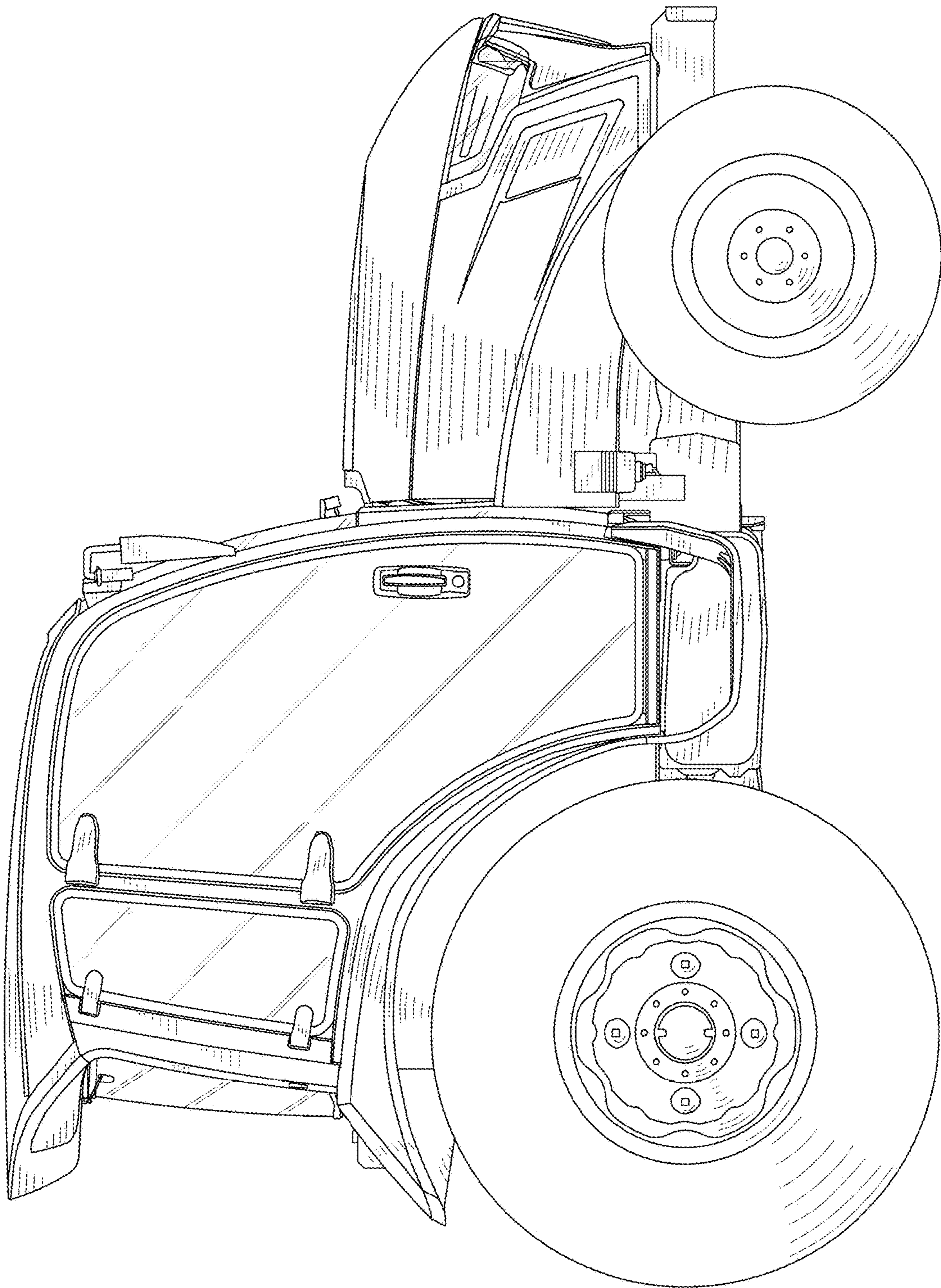


FIG. 3

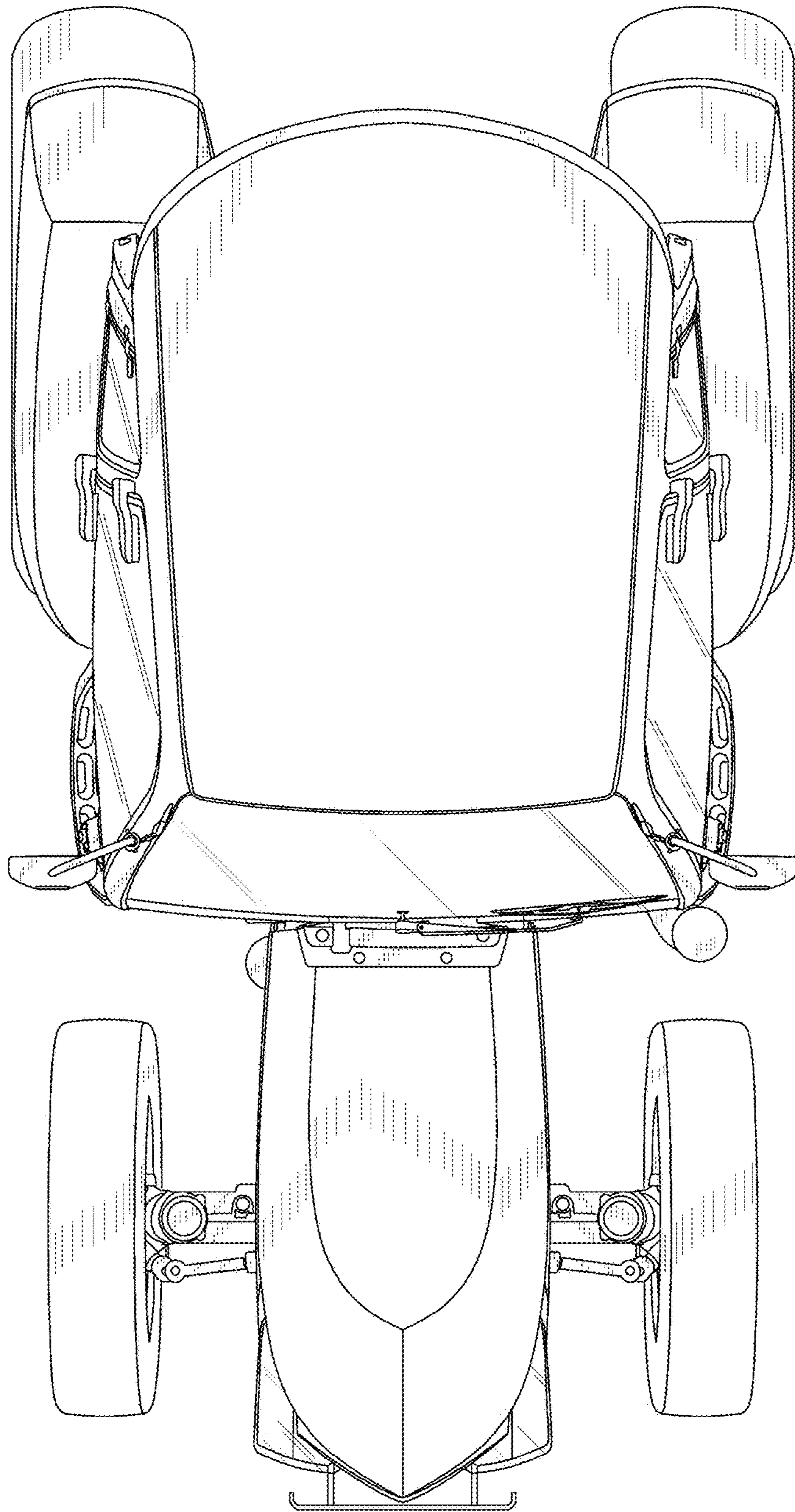


FIG. 4

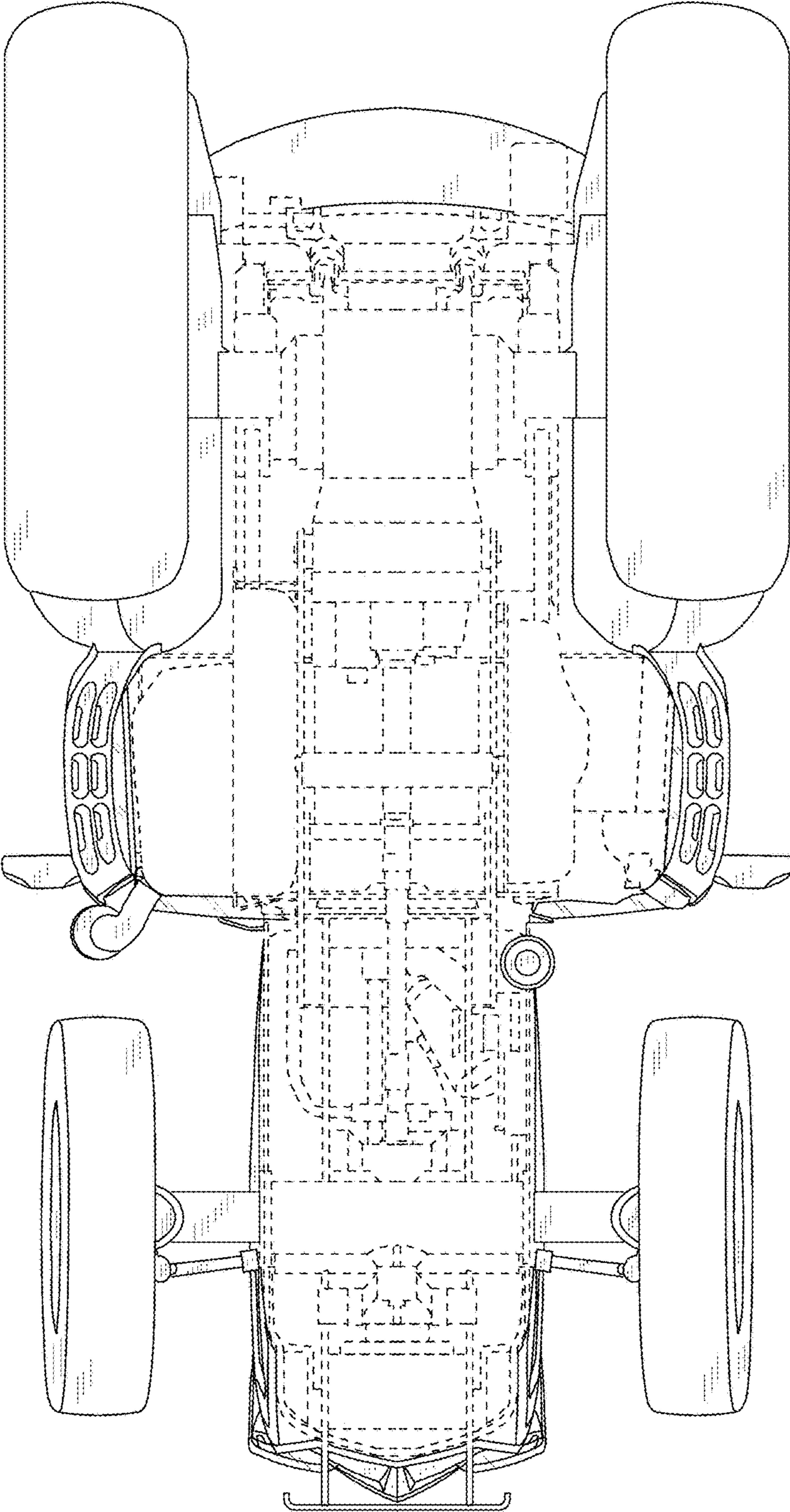


FIG. 5

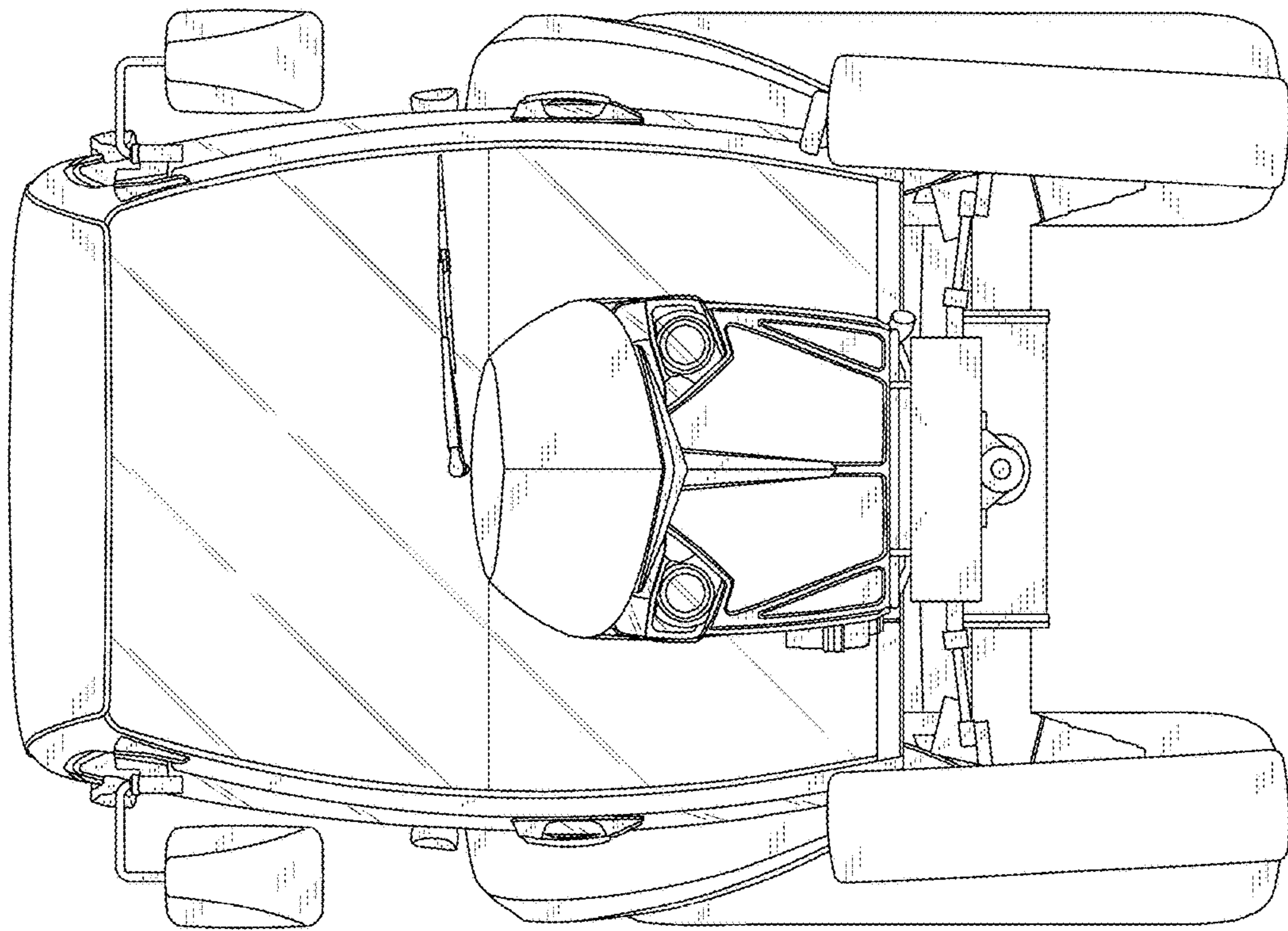


FIG. 6

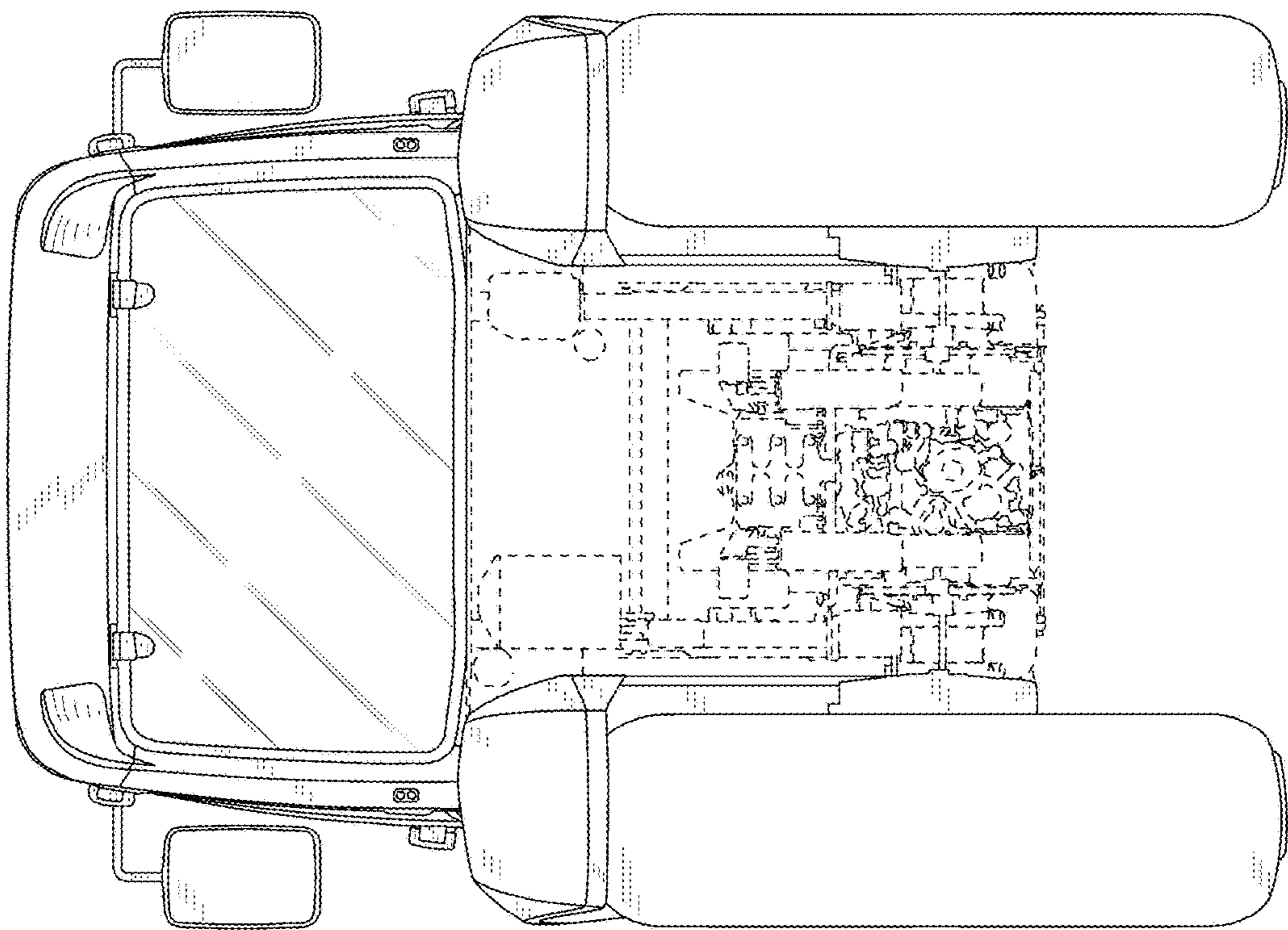


FIG. 7

UNITED STATES PATENT AND TRADEMARK OFFICE
CERTIFICATE OF CORRECTION

PATENT NO. : D783,059 S
APPLICATION NO. : 29/533376
DATED : April 4, 2017
INVENTOR(S) : Okuyama et al.

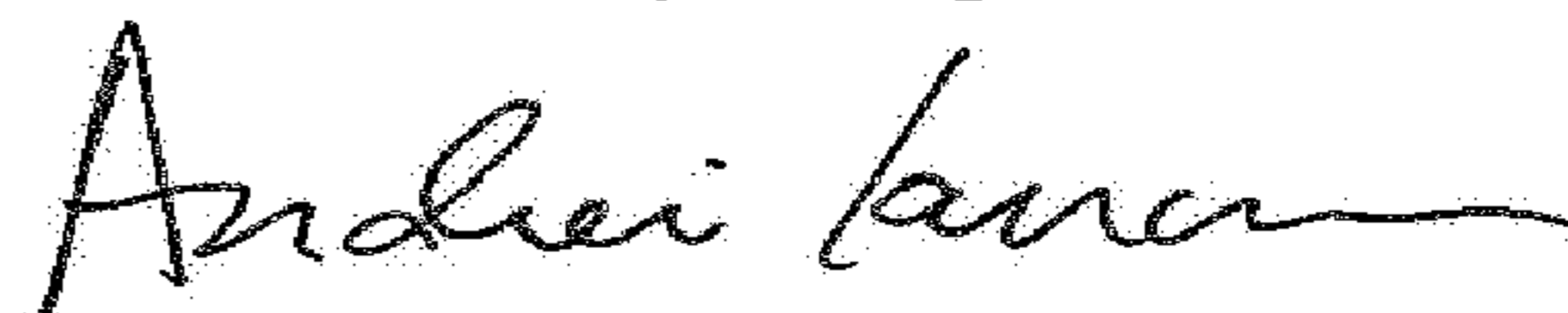
Page 1 of 10

It is certified that error appears in the above-identified patent and that said Letters Patent is hereby corrected as shown below:

Delete the title page and substitute therefore with the attached title page showing the corrected number of drawing sheets.

Delete Drawing Sheets 1-7 and substitute therefore with the attached Drawing Sheets 1-8. FIG. 8 has been added.

Signed and Sealed this
Tenth Day of April, 2018



Andrei Iancu
Director of the United States Patent and Trademark Office

(12) **United States Design Patent** (10) **Patent No.:** **US D783,059 S**
Okuyama et al. (45) **Date of Patent:** **** Apr. 4, 2017**

(54) **TRACTOR**

(71) Applicant: **YANMAR CO., LTD.**, Osaka-shi,
Osaka (JP)

(72) Inventors: **Kiyoyuki Okuyama**, Yamagata (JP);
Shinya Kawashiri, Osaka (JP)

(73) Assignee: **YANMAR CO., LTD.**, Osaka (JP)

(**) Term: **15 Years**

(21) Appl. No.: **29/533,376**

(22) Filed: **Jul. 16, 2015**

(30) **Foreign Application Priority Data**

Jan. 19, 2015 (JP) D2015-863

(51) **LOC (10) CL.** **12-09**

(52) **U.S. CL.**
USPC **D15/23**

(58) **Field of Classification Search**
USPC .. D15/10, 11, 15, 17, 22, 23, 25, 26, 28, 30
CPC B62D 49/00; B62D 49/06; B62D 49/0671;
B62D 49/0692; B62D 33/06; B62D
33/0617
See application file for complete search history.

(56) **References Cited**

U.S. PATENT DOCUMENTS

D438,546 S * 3/2001 Katoh D15/23
D542,308 S * 5/2007 Oka D15/23
D613,313 S * 4/2010 Bhanuprakash D15/23
D668,270 S * 10/2012 Kushita D15/23
D693,374 S * 11/2013 Chlystek D15/23
D693,375 S * 11/2013 Chlystek D15/23
D710,911 S * 8/2014 Iwata D15/23
D717,838 S * 11/2014 Kuwae D15/23

D729,851 S * 5/2015 Kushita D15/23
D747,363 S * 1/2016 Okuyama D15/22
D748,677 S * 2/2016 Kushita D15/26
D749,144 S * 2/2016 Higashikawa D15/23
D749,645 S * 2/2016 Okuyama D15/26
D752,650 S * 3/2016 Margutti D15/23

(Continued)

FOREIGN PATENT DOCUMENTS

CN 303530957 S 12/2015
CN 303530959 S 12/2015

(Continued)

Primary Examiner — Ian Simmons

Assistant Examiner — Khawaja Anwar

(74) *Attorney, Agent, or Firm* — Sterne, Kessler,
Goldstein & Fox P.L.L.C.

(57) **CLAIM**

The ornamental design for a tractor, as shown and described.

DESCRIPTION

FIG. 1 is a front perspective view of a tractor showing our new design;

FIG. 2 is a right side view thereof;

FIG. 3 is a left side view thereof;

FIG. 4 is a top view thereof;

FIG. 5 is a bottom view thereof;

FIG. 6 is a front view thereof;

FIG. 7 is a rear view thereof; and,

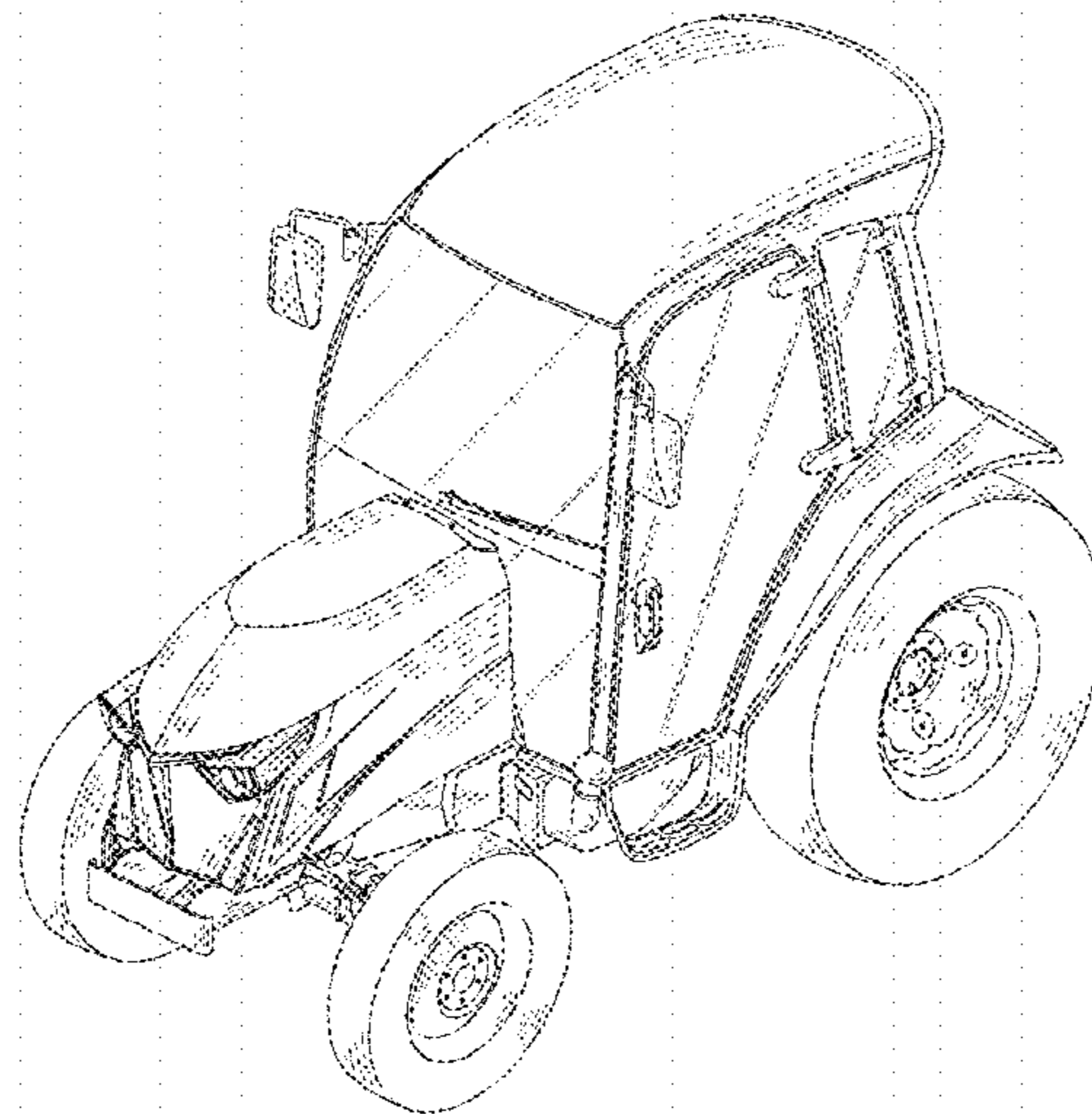
FIG. 8 is an enlarged view of a portion of the tractor showing our new design.

The shade lines in the Figures show contour and not surface ornamentation.

The oblique shade lines in the Figures show transparency or translucency.

The broken lines in the figures show portions of the tractor that form no part of the claimed design.

1 Claim, 8 Drawing Sheets



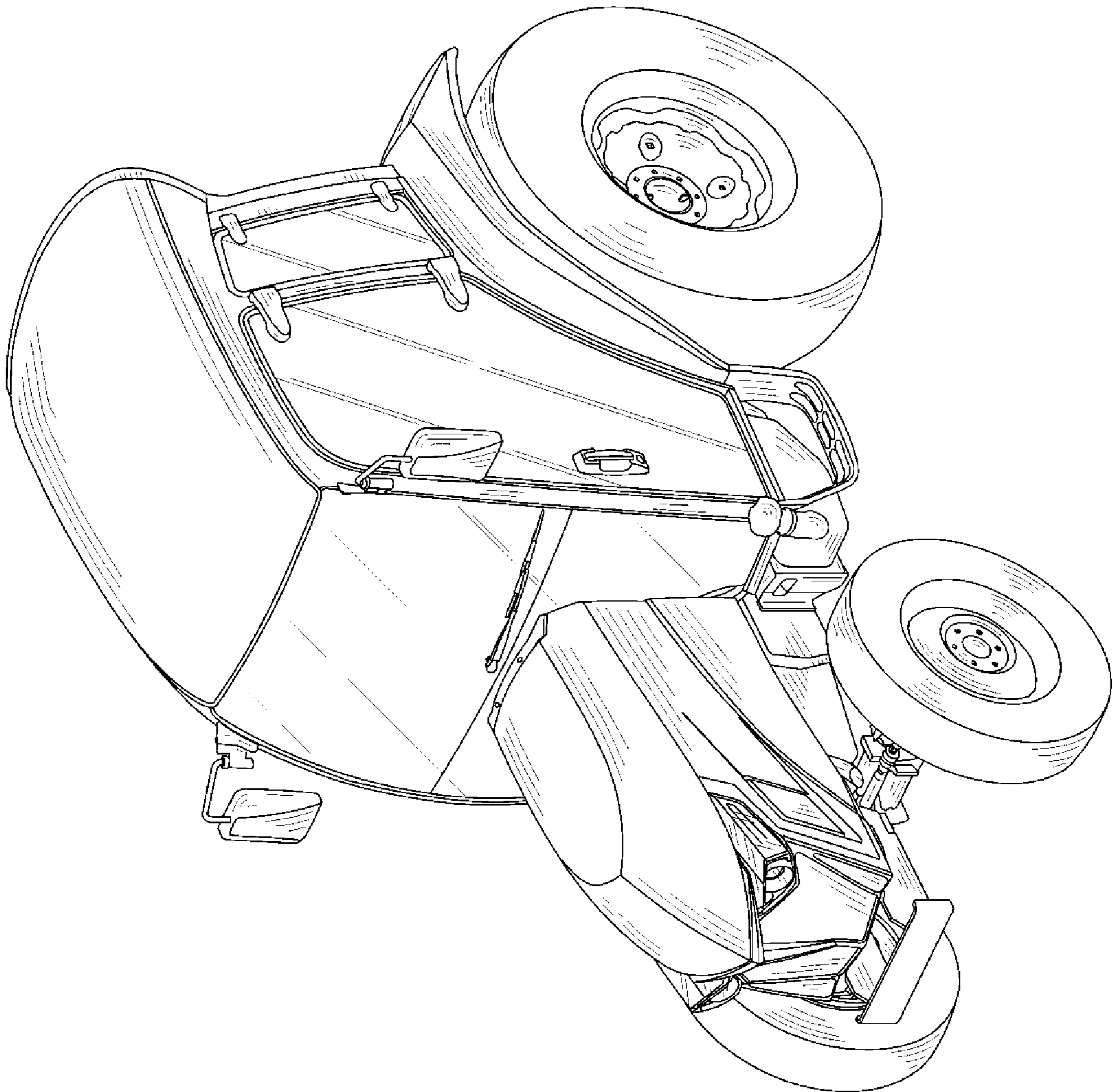


FIG. 1

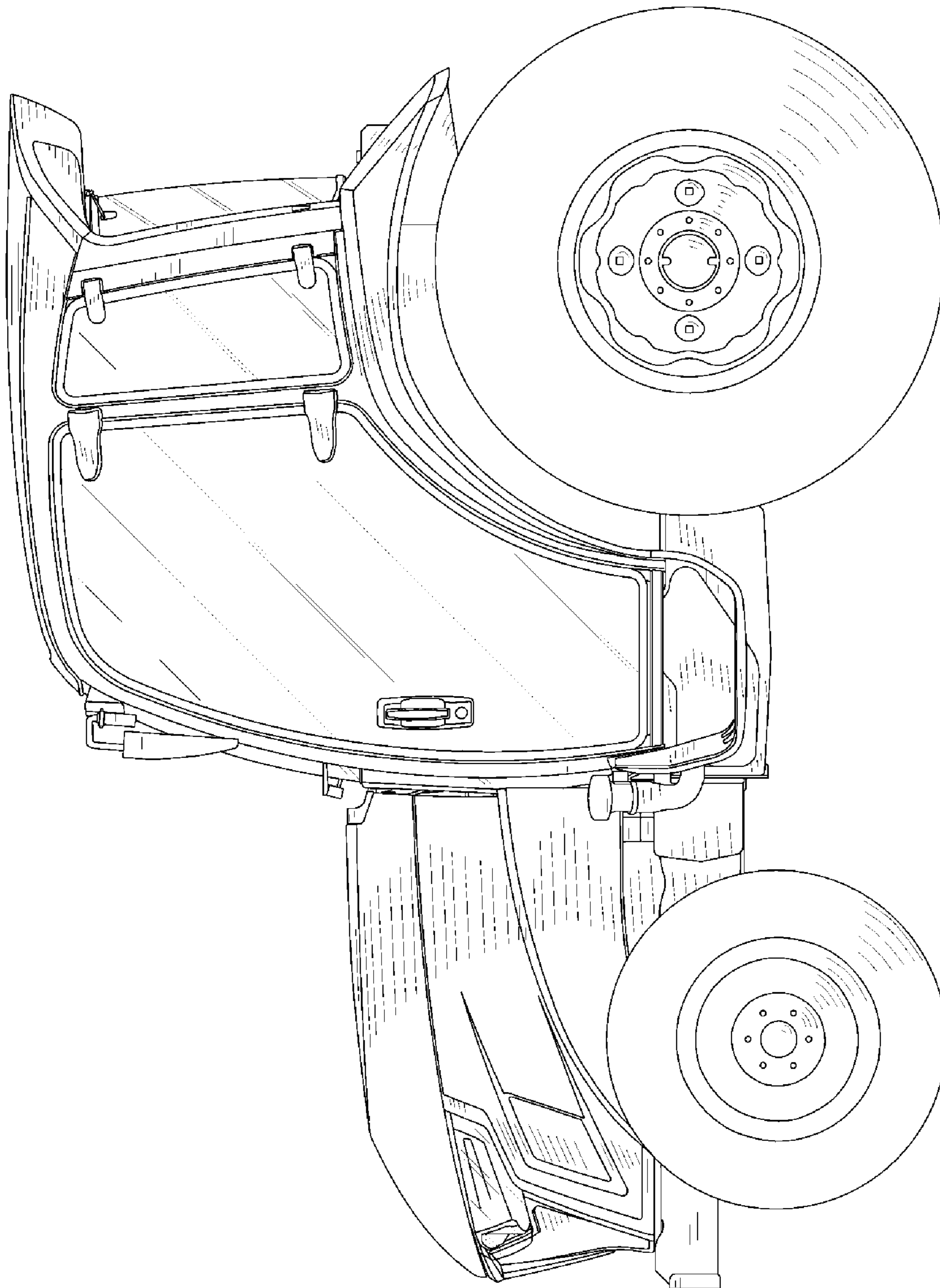


FIG. 2

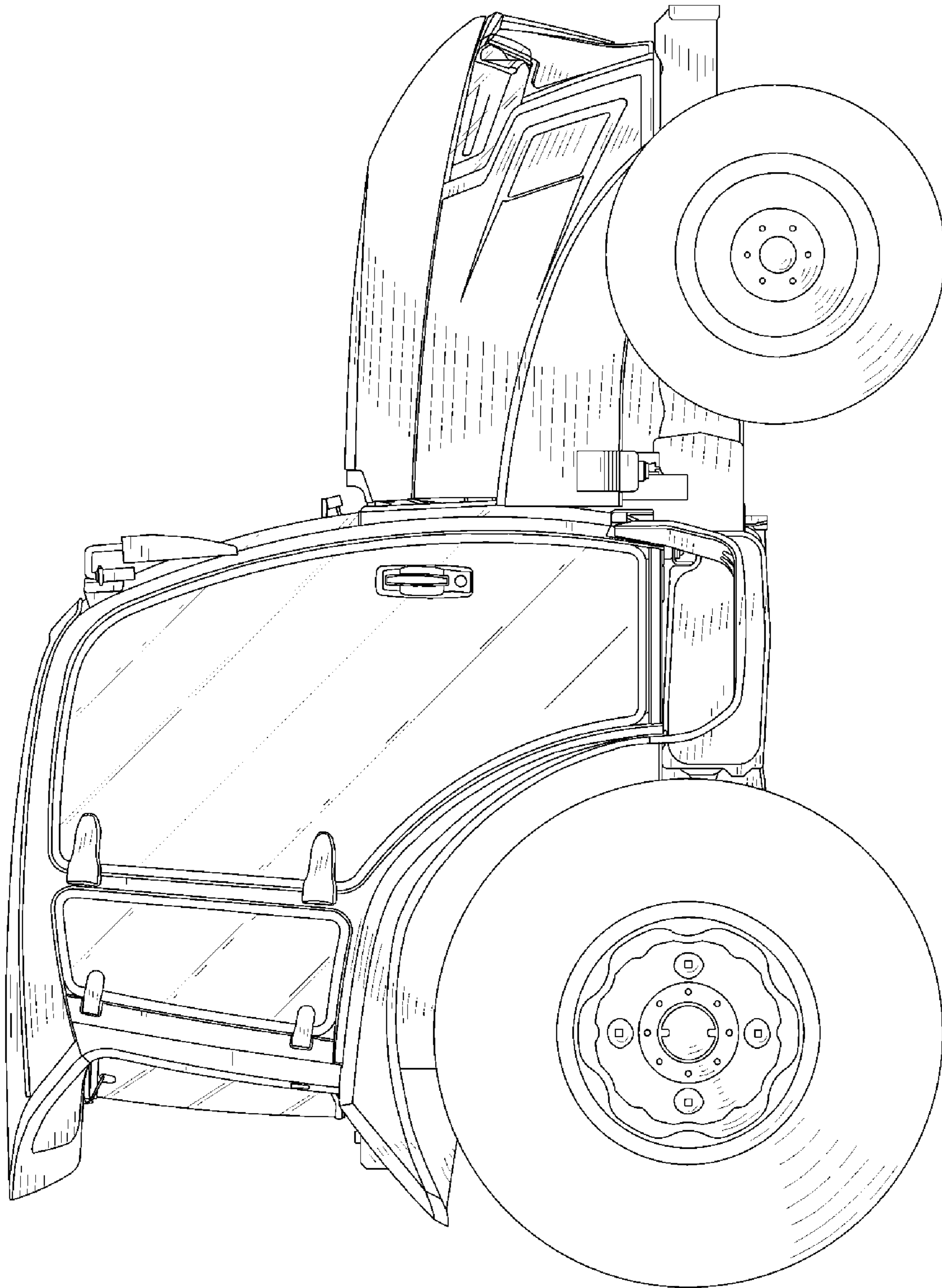


FIG. 3

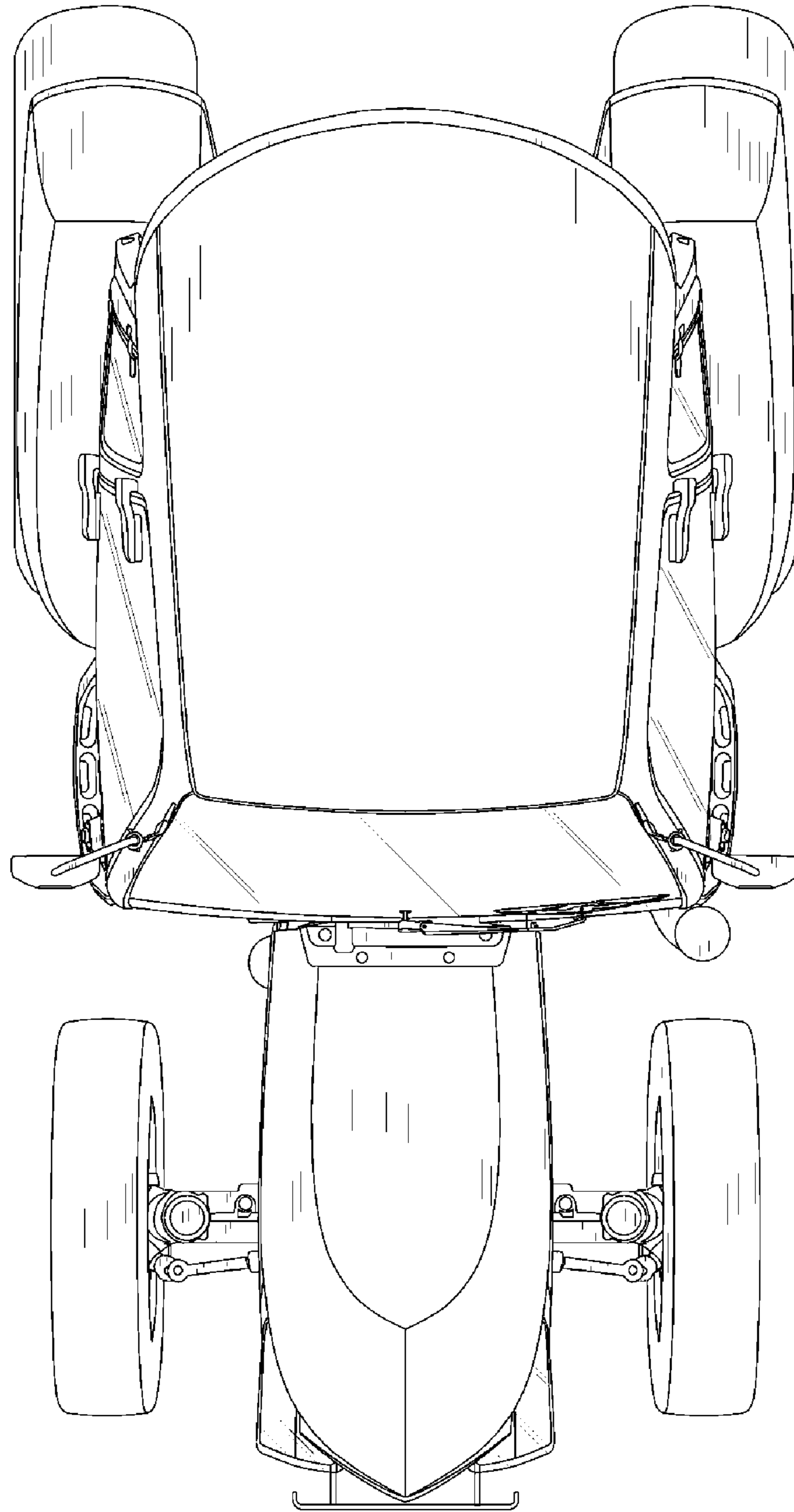


FIG. 4

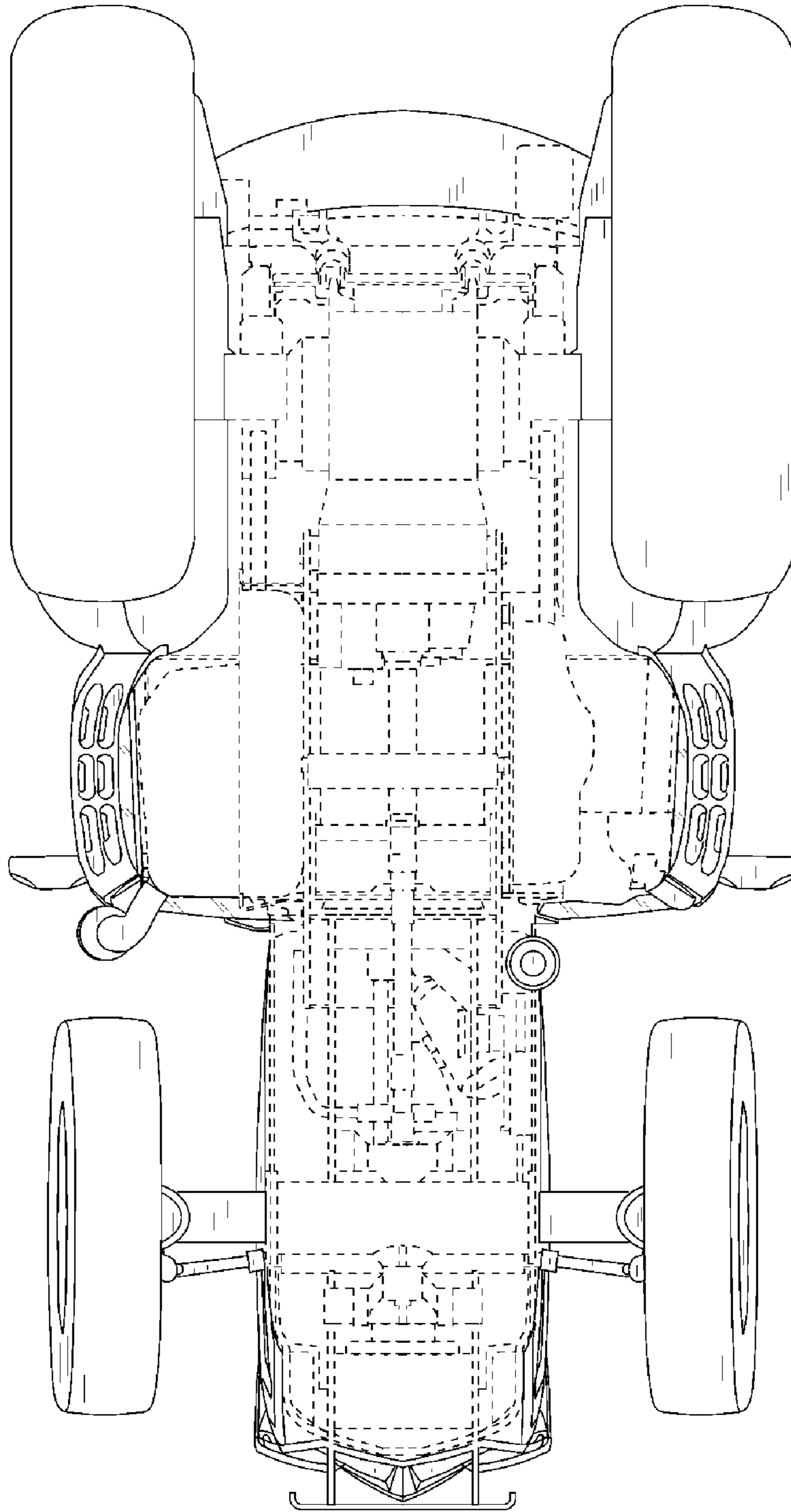


FIG. 5

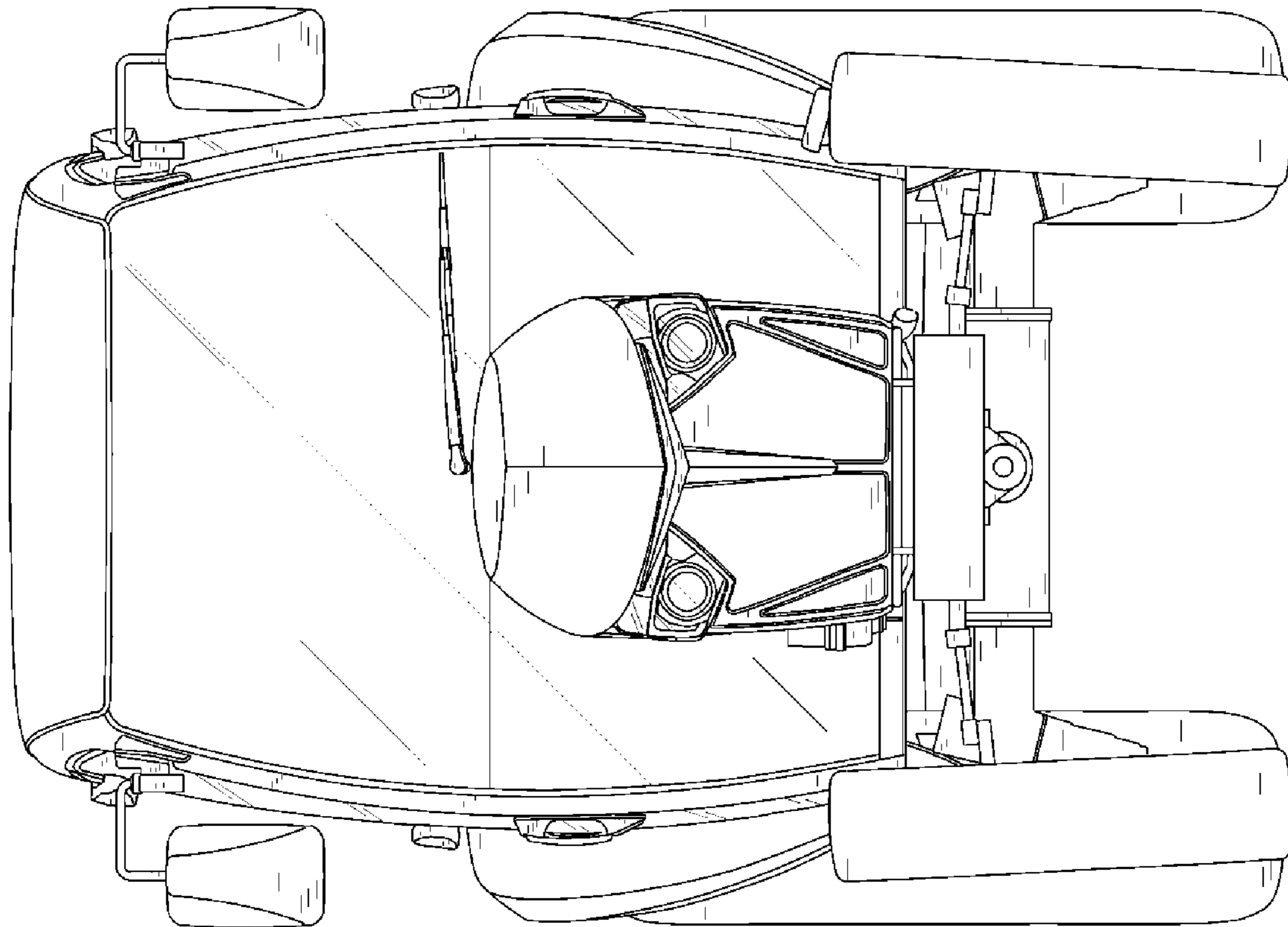


FIG. 6

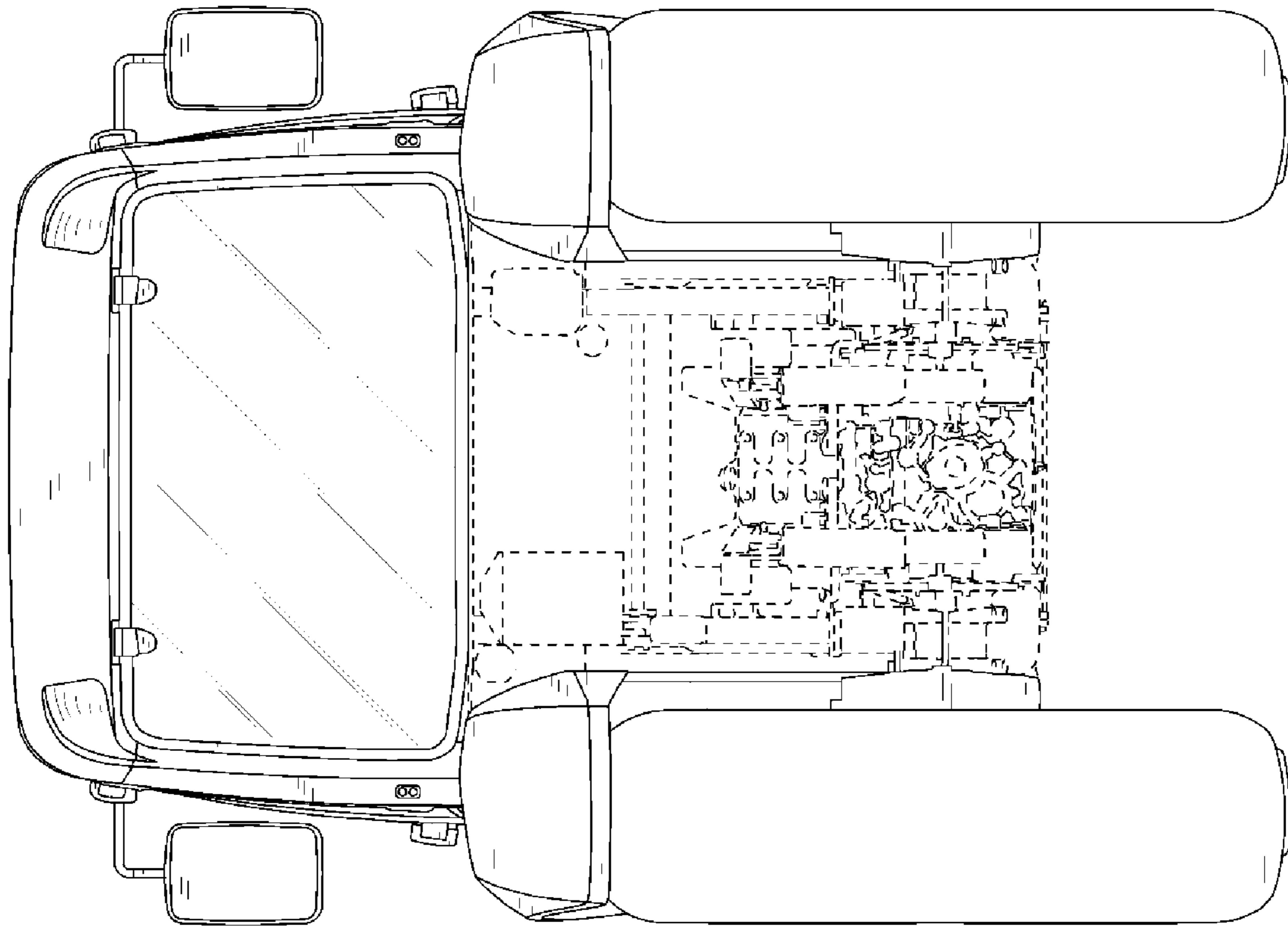


FIG. 7

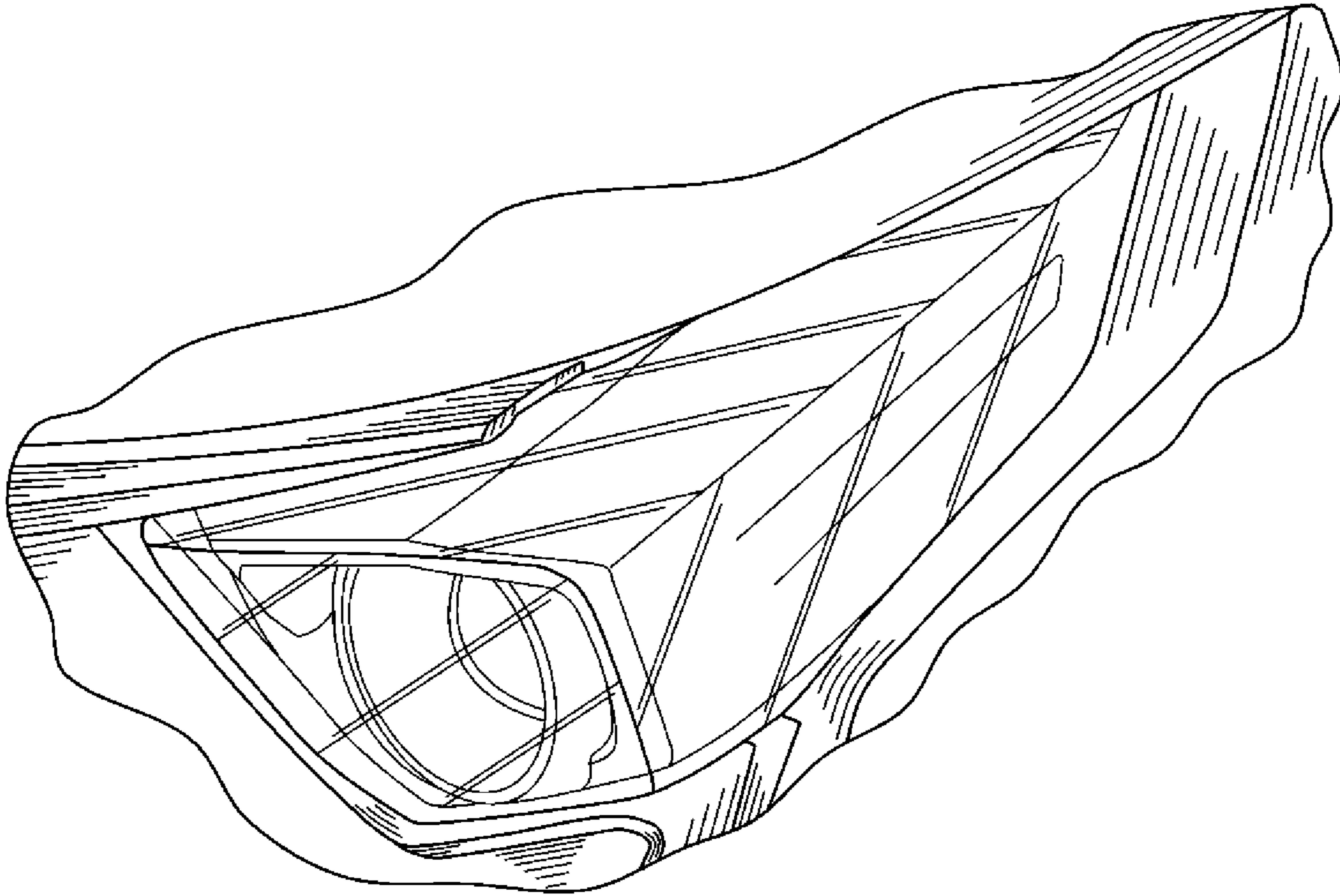


FIG. 8