



US00D783058S

(12) **United States Design Patent** (10) **Patent No.:** **US D783,058 S**
Hui et al. (45) **Date of Patent:** **** Apr. 4, 2017**

(54) **PLENUM FOR A PNEUMATIC DISTRIBUTION SYSTEM**

2400/04; F02D 35/0007; F02D 35/023; F02D 35/024; F02D 35/027;

(Continued)

(71) Applicant: **CNH Industrial Canada, Ltd.**,
Saskatoon (CA)

(56)

References Cited

(72) Inventors: **Ka Po Catherine Hui**, Saskatoon (CA);
Martin J. Roberge, Saskatoon (CA);
Dennis George Thompson, Saskatoon (CA)

U.S. PATENT DOCUMENTS

D404,361 S * 1/1999 Kellstedt D13/147
D407,376 S * 3/1999 Copeland D13/147

(Continued)

(73) Assignee: **CNH Industrial Canada, Ltd.**,
Saskatoon, Saskatchewan (CA)

OTHER PUBLICATIONS

U.S. Appl. No. 15/055,794, filed Feb. 29, 2016, Ka Po Catherine Hui.

(Continued)

(**) Term: **15 Years**

Primary Examiner — Ian Simmons

Assistant Examiner — Khawaja Anwar

(74) *Attorney, Agent, or Firm* — Rebecca L. Henkel;
Rickard K. DeMille

(21) Appl. No.: **29/556,185**

(22) Filed: **Feb. 29, 2016**

(51) **LOC (10) Cl.** **15-07**

(52) **U.S. Cl.**
USPC **D15/21**

(57)

CLAIM

(58) **Field of Classification Search**

The ornamental design for a plenum for a pneumatic distribution system, as shown and described.

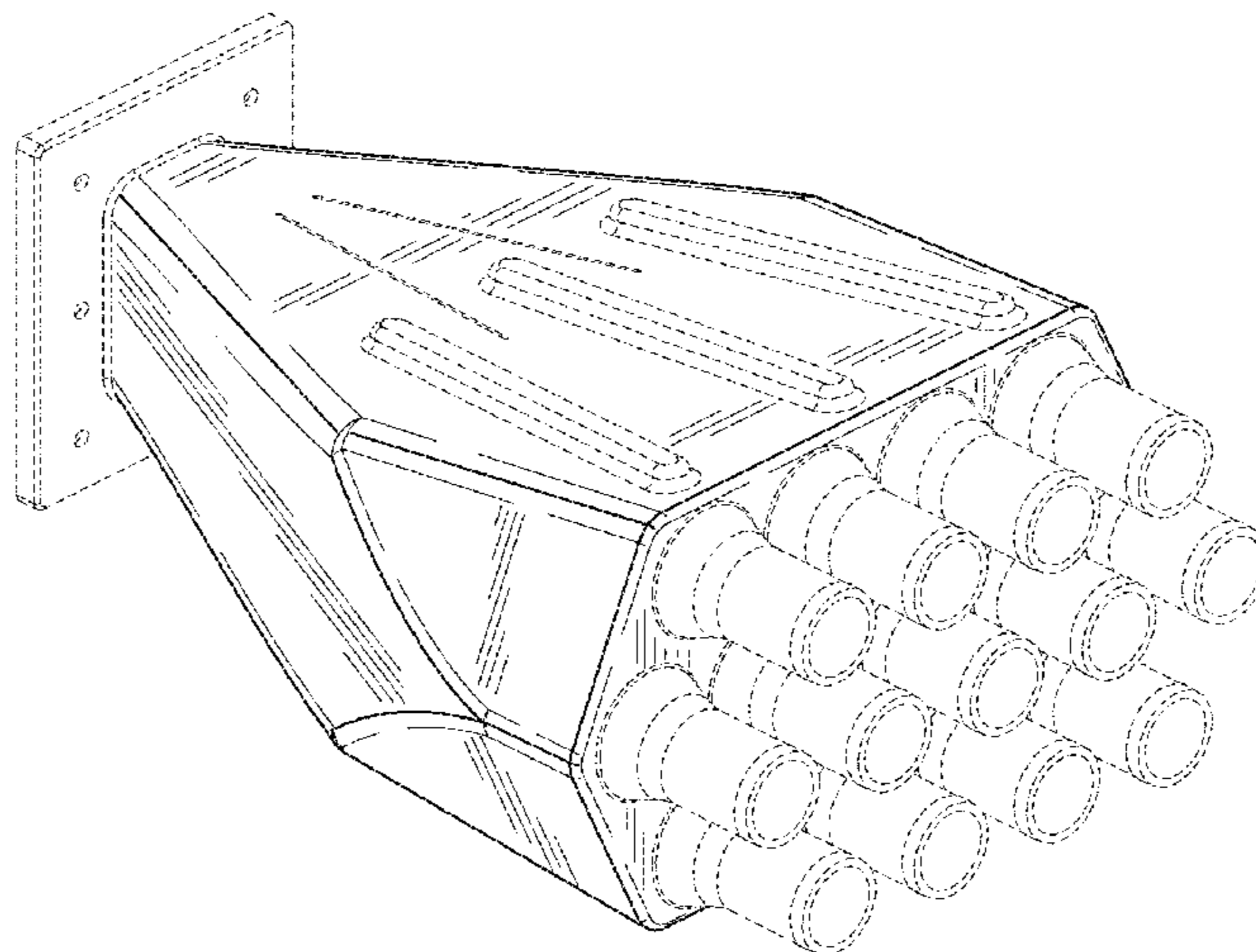
DESCRIPTION

USPC D15/21, 28, 150, 199; D13/155, 147, D13/154, 184, 199; D7/700, 667, 668, D7/213; D8/1, 499; D23/209, 233, 499; D24/121, 122, 123; D99/99
CPC F02D 41/0007; F02D 23/00; F02D 2200/0406; F02D 41/10; F02D 41/0002; F02D 41/0072; F02D 41/18; F02D 41/22; F02D 2041/001; F02D 2250/18; F02D 41/0055; F02D 41/0087; F02D 41/064; F02D 2009/0266; F02D 2200/0402; F02D 2200/0414; F02D 2200/0418; F02D 2200/101; F02D 2200/602; F02D 2250/16; F02D 35/02; F02D 41/0005; F02D 41/0052; F02D 41/0065; F02D 41/023; F02D 41/024; F02D 41/045; F02D 41/1401; F02D 41/1454; F02D 9/04; F02D 2200/0812; F02D 2200/1012; F02D 2200/703; F02D 2250/28; F02D

FIG. 1 is a perspective view of a plenum for a pneumatic distribution system, showing our new design;
FIG. 2 is a top plan view thereof;
FIG. 3 is a bottom plan view thereof;
FIG. 4 is a right side elevation view thereof;
FIG. 5 is a left side elevation view thereof;
FIG. 6 is a front elevation view thereof; and,
FIG. 7 is a back elevation view thereof.

The broken line in the figure drawings represents unclaimed environment only and forms no part of the claimed design;
The das-dot broken lines in the figure drawings represent the boundaries of the claim and form no part of the claimed design.

1 Claim, 4 Drawing Sheets



(58) **Field of Classification Search**

CPC F02D 41/0062; F02D 41/0077; F02D
41/0082; F02D 41/0097; F02D 41/0225;
F02D 41/029

See application file for complete search history.

(56) **References Cited**

U.S. PATENT DOCUMENTS

D686,161	S	*	7/2013	Richards	D13/147
D702,645	S	*	4/2014	Hori	D13/147
D713,221	S	*	9/2014	Meyer	D8/1
D713,794	S	*	9/2014	Katayanagi	D13/147
D723,469	S	*	3/2015	Morris	D13/147
D739,833	S	*	9/2015	Hanazeder	D13/184
D747,922	S	*	1/2016	Borovicka	D7/402
D755,728	S	*	5/2016	Smith	D13/155
D768,084	S	*	10/2016	Rodriguez	D13/147
D768,730	S	*	10/2016	Kunz	D15/28

OTHER PUBLICATIONS

U.S. Appl. No. 29/556,179, filed Feb. 29, 2016, Ka Po Catherine Hui.

U.S. Appl. No. 14/932,250, filed Nov. 4, 2015, Ka Po Catherine Hui.

U.S. Appl. No. 29/544,480, filed Nov. 4, 2015, Ka Po Catherine Hui.

* cited by examiner

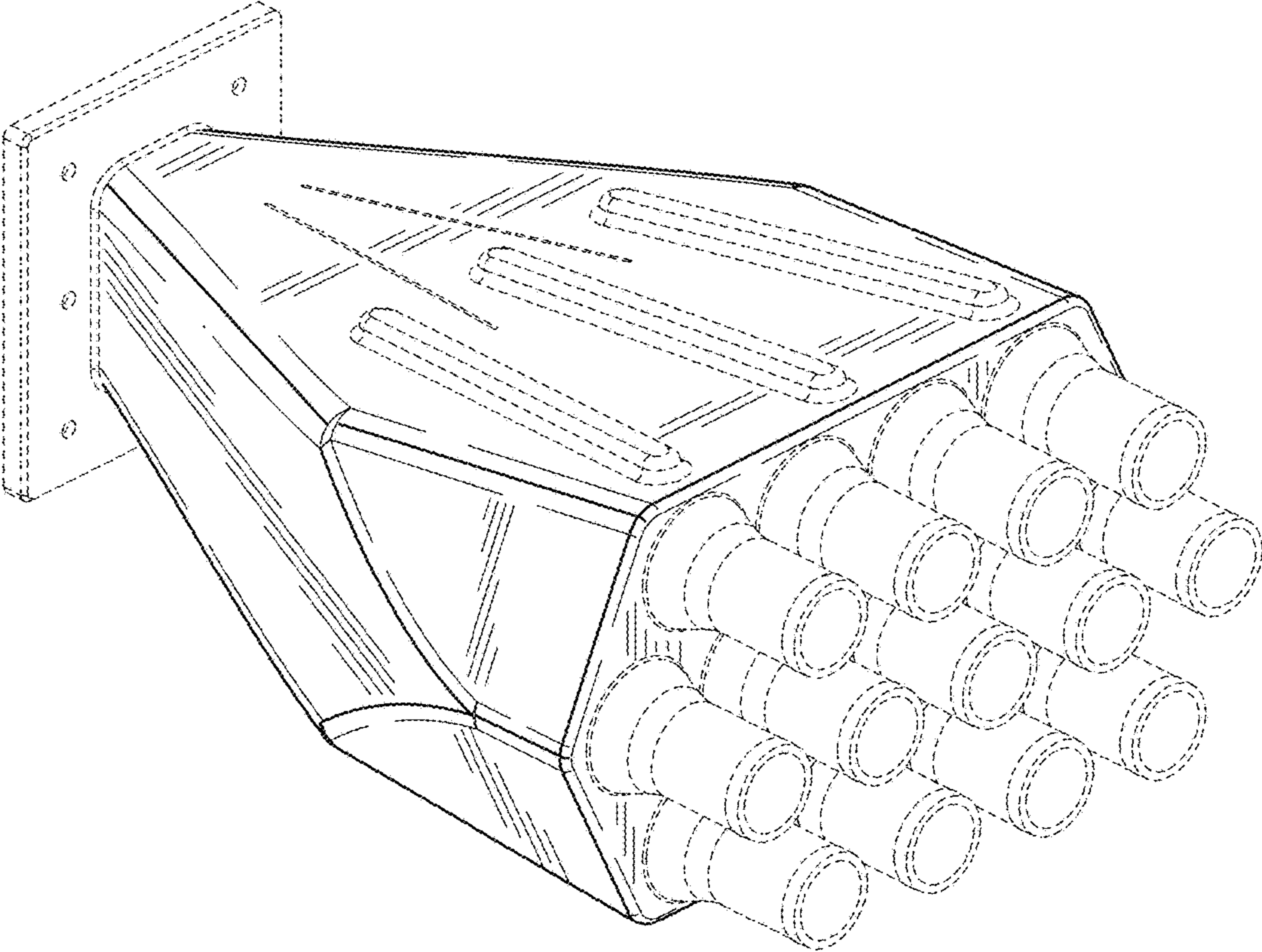


FIG. 1

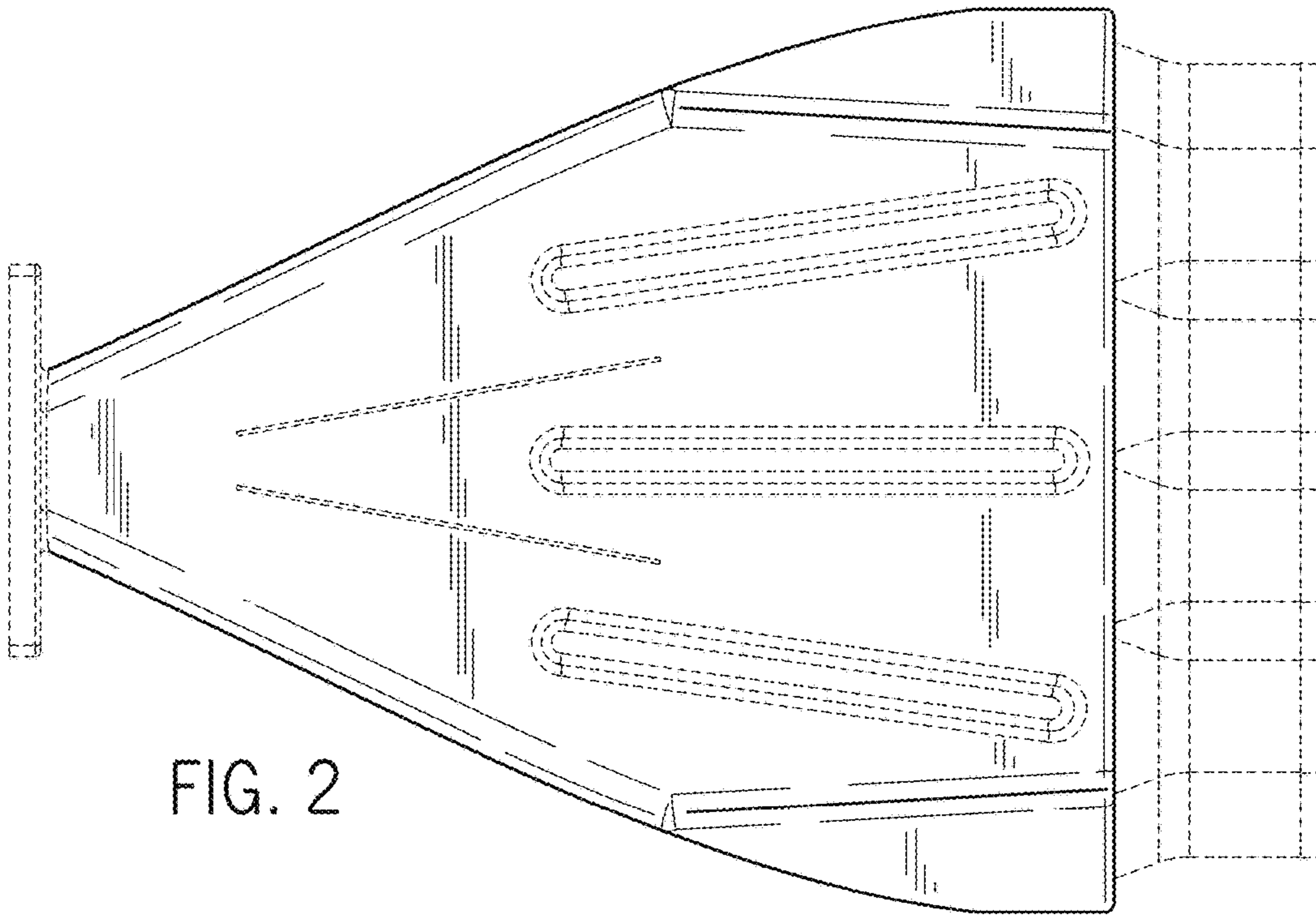


FIG. 2

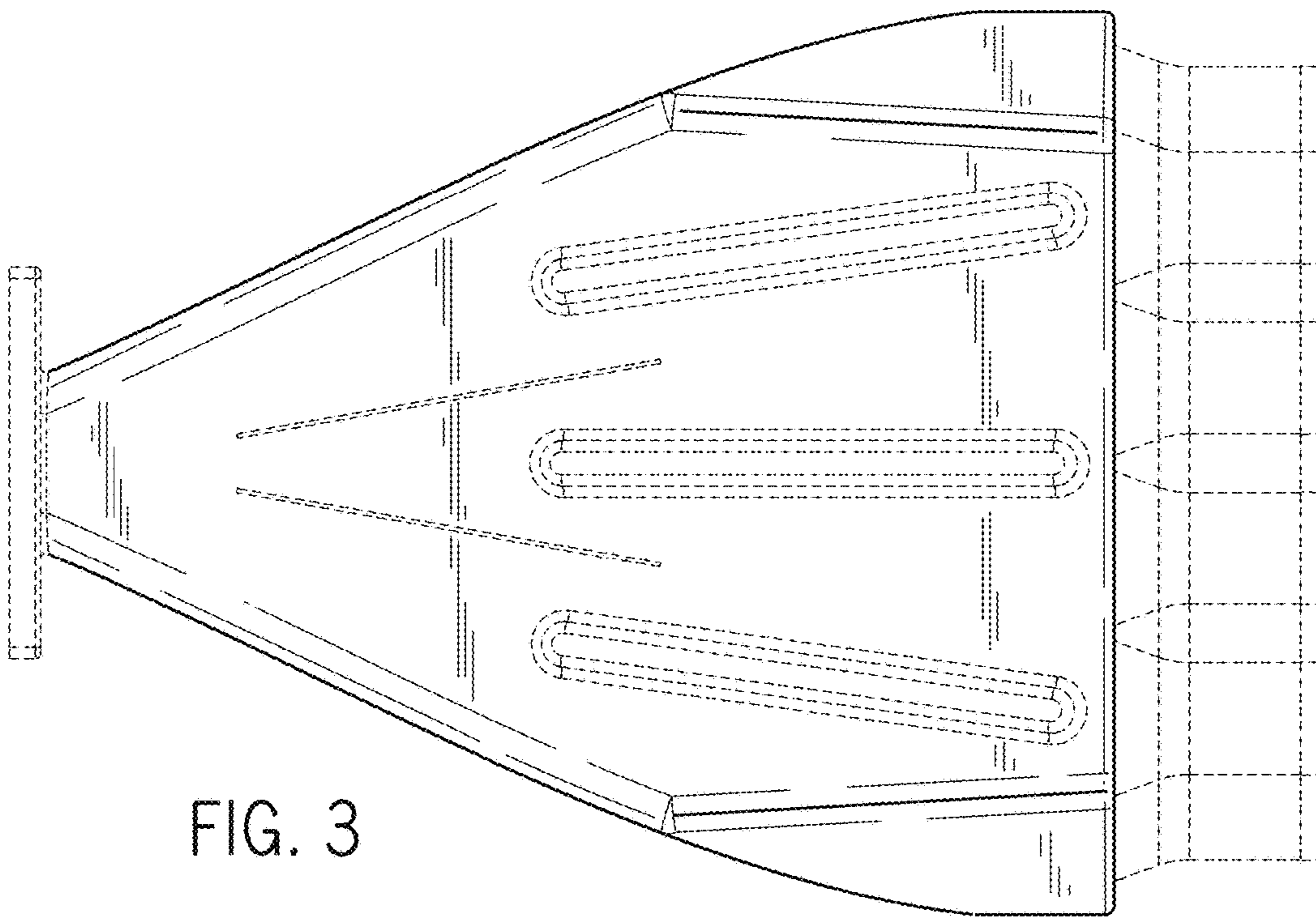


FIG. 3

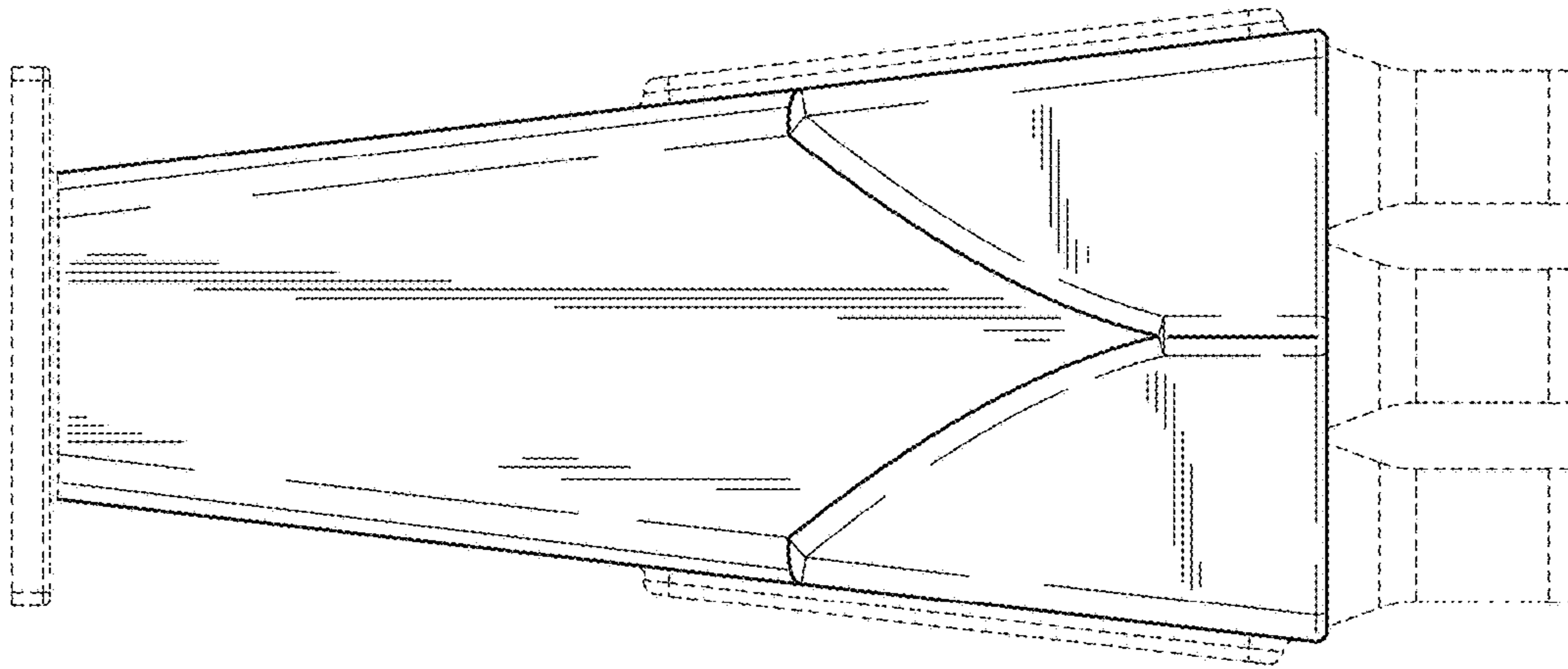


FIG. 4

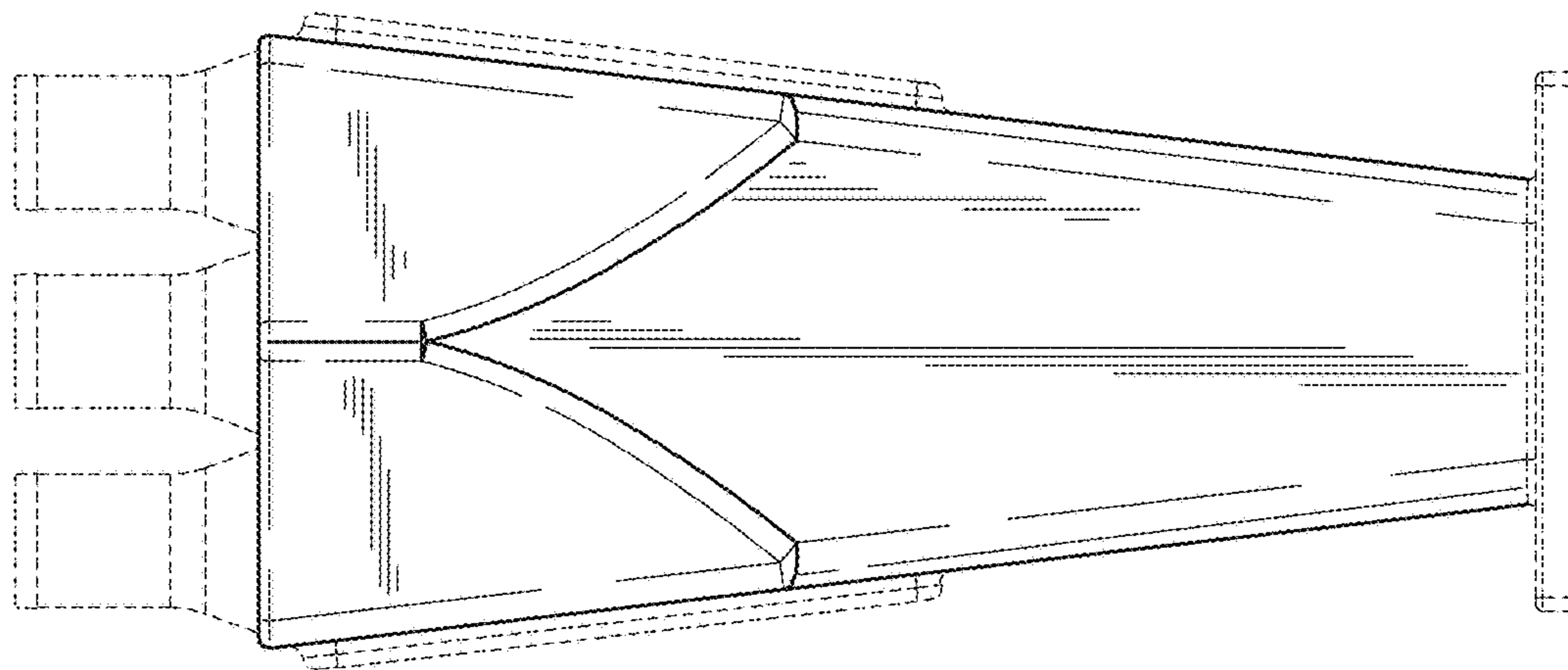


FIG. 5

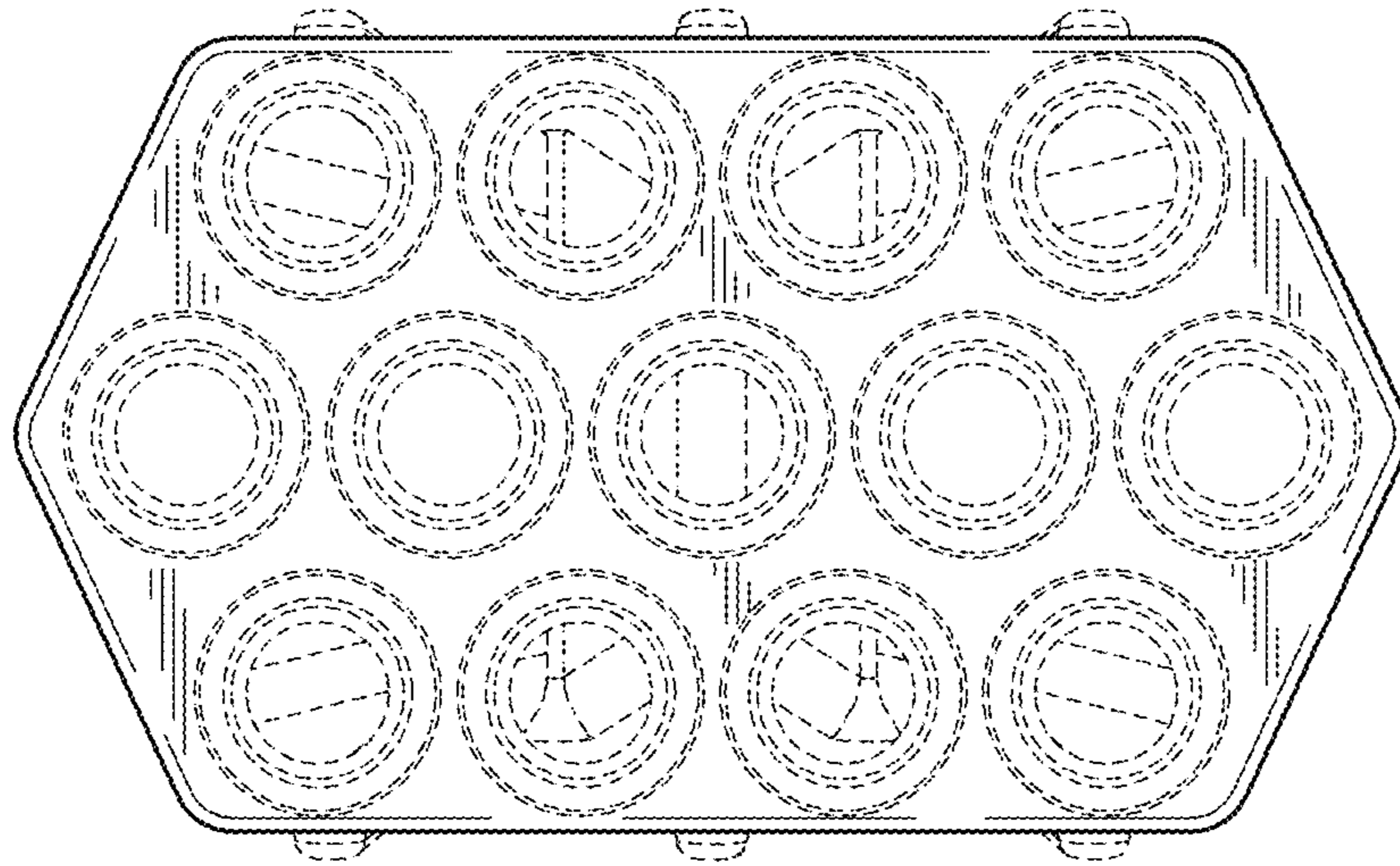


FIG. 6

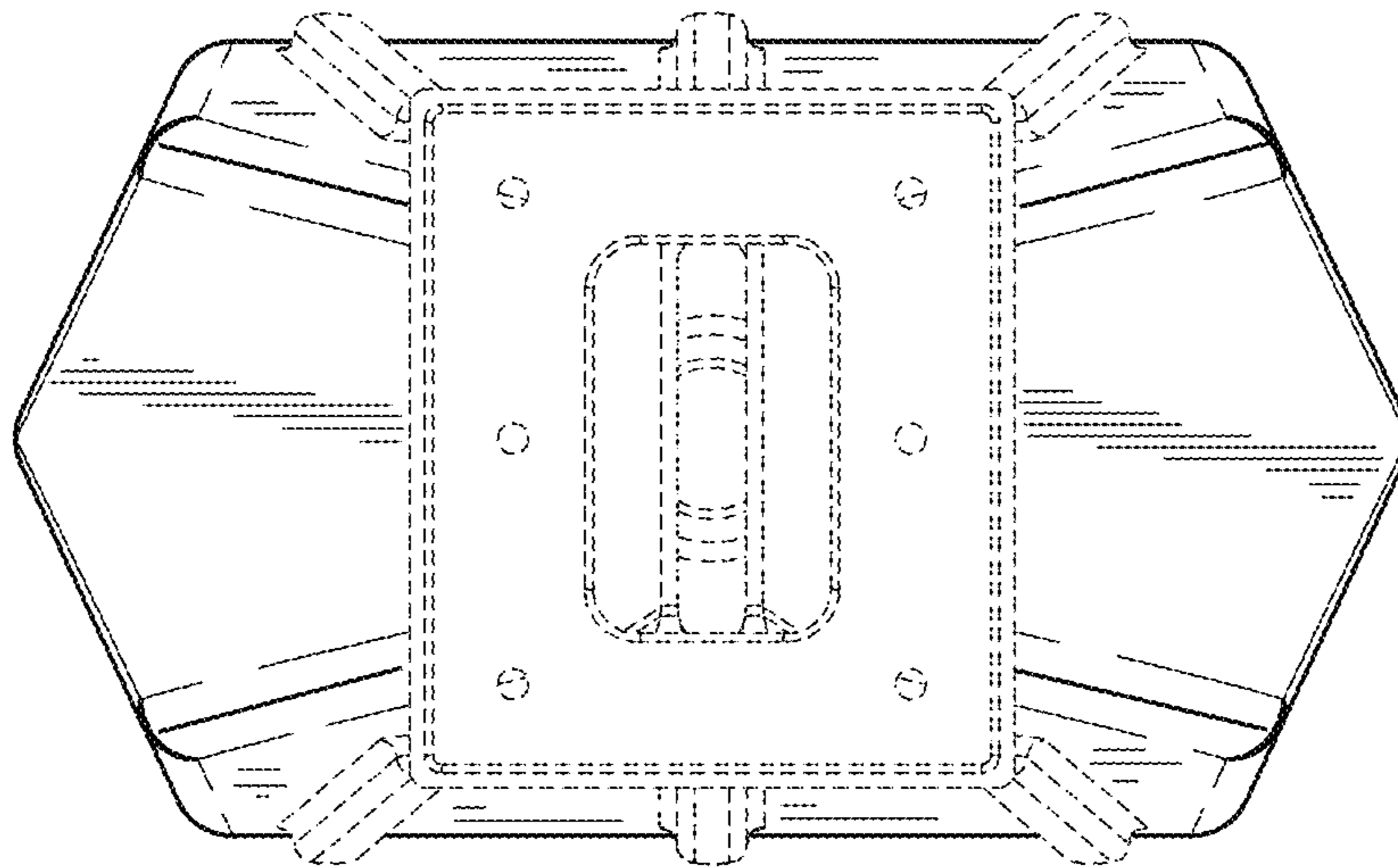


FIG. 7