



US00D783057S

(12) **United States Design Patent** (10) **Patent No.:** **US D783,057 S**  
**Cook et al.** (45) **Date of Patent:** **\*\* Apr. 4, 2017**

(54) **INSULATION BLOWING MACHINE**

(71) Applicant: **Owens Corning Intellectual Capital, LLC**, Toledo, OH (US)

(72) Inventors: **David M. Cook**, Granville, OH (US); **Brandon Robinson**, Sylvania, OH (US); **Christopher M. Relyea**, Columbus, OH (US)

(73) Assignee: **Owens Corning Intellectual Capital, LLC**, Toledo, OH (US)

(\*\*) Term: **15 Years**

(21) Appl. No.: **29/539,660**

(22) Filed: **Sep. 16, 2015**

(51) **LOC (10) Cl.** ..... **15-03**

(52) **U.S. Cl.**  
USPC ..... **D15/10**

(58) **Field of Classification Search**

USPC ..... D15/10, 11, 12, 13, 22, 199; D23/383  
 CPC .... B01F 7/0025; B01F 7/00058; B01F 7/001;  
 B01F 7/00141; B01F 7/0015; B01F  
 7/00208; B01F 7/00725; B01F 7/04;  
 B01F 7/162; B02C 18/0007; B02C 13/28;  
 B02C 25/00; B02C 2018/164; B02C  
 2018/0023; B02C 23/04; B02C 13/04;  
 B02C 13/2804; B02C 18/16; B02C  
 18/0092; B02C 2018/0015; B02C  
 2023/165; B02C 2210/02; B02C 13/06;  
 B02C 13/284; B02C 18/0084; B02C  
 2018/0038; B02C 2018/0046; B02C  
 2018/147; B02C 2018/188; B02C 23/06;  
 B02C 23/10; B02C 23/18; B02C 13/08;  
 B02C 13/1814; B02C 13/288; B02C  
 13/31; B02C 15/00; B02C 15/006; B02C  
 15/16; B02C 17/002; B02C 17/007

See application file for complete search history.

(56) **References Cited**

U.S. PATENT DOCUMENTS

2,532,318 A	12/1950	Mackey et al.
2,550,354 A	4/1951	Jacobsen
2,721,767 A	10/1955	Kropp
2,794,454 A	6/1957	Moulthrop
2,869,793 A	1/1959	Monthgomery
2,989,252 A	6/1961	Babb

(Continued)

FOREIGN PATENT DOCUMENTS

DE	2350450 A1	4/1975
DE	3238492 A1	4/1984

(Continued)

*Primary Examiner* — Ian Simmons

*Assistant Examiner* — Khawaja Anwar

(74) *Attorney, Agent, or Firm* — MacMillan, Sobanski & Todd, LLC

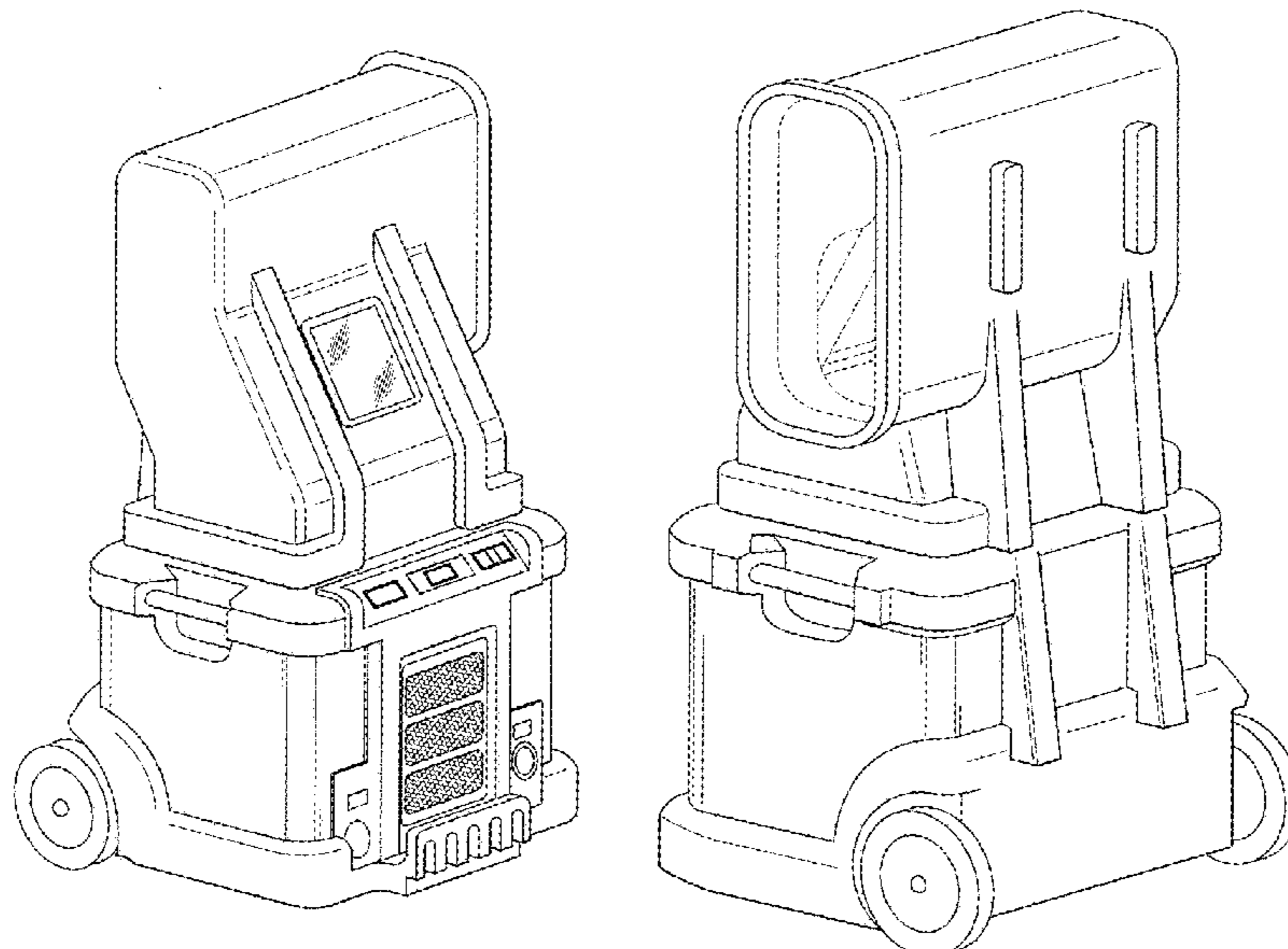
(57) **CLAIM**

The ornamental design for an insulation blowing machine, as shown and described.

**DESCRIPTION**

FIG. 1 is a front perspective view of an insulation blowing machine according to the design;  
 FIG. 2 is a rear perspective view thereof;  
 FIG. 3 is a front elevational view thereof;  
 FIG. 4 is a rear elevational view thereof;  
 FIG. 5 is a top plan view thereof;  
 FIG. 6 is a bottom plan view thereof;  
 FIG. 7 is a left side elevational view thereof; and,  
 FIG. 8 is a right side elevational view thereof.  
 The broken lines in the figure drawings represent unclaimed environment only and forms no part of the claimed design.

**1 Claim, 5 Drawing Sheets**



(56)

References Cited

U.S. PATENT DOCUMENTS

3,051,398 A 8/1962 Babb  
 3,175,866 A 3/1965 Nichol  
 3,314,732 A 4/1967 Hagan  
 3,556,355 A 1/1971 Ruiz  
 4,236,654 A 12/1980 Mello  
 D259,197 S \* 5/1981 Gibbons ..... D15/122  
 4,268,205 A 5/1981 Vacca et al.  
 D260,651 S \* 9/1981 Gibbons ..... D15/138  
 4,337,902 A 7/1982 Markham  
 4,344,580 A 8/1982 Hoshall et al.  
 4,381,082 A 4/1983 Elliott et al.  
 4,411,390 A 10/1983 Woten  
 4,465,239 A 8/1984 Woten  
 D305,125 S \* 12/1989 Hinklin ..... D15/11  
 D306,597 S \* 3/1990 Vanden Bos ..... D15/10  
 4,978,252 A 12/1990 Sperber  
 5,285,973 A 2/1994 Goforth et al.  
 5,462,238 A 10/1995 Smith et al.  
 5,601,239 A 2/1997 Smith et al.  
 5,647,696 A 7/1997 Sperber

5,829,649 A 11/1998 Horton  
 6,109,488 A 8/2000 Horton  
 6,161,784 A 12/2000 Horton  
 6,503,026 B1 1/2003 Mitchell  
 D514,128 S \* 1/2006 Lee ..... D15/10  
 D568,458 S 5/2008 Evans et al.  
 7,520,459 B2 4/2009 O'Leary  
 7,819,349 B2 10/2010 Johnson et al.  
 7,878,435 B2 2/2011 Johnson et al.  
 D633,612 S \* 3/2011 Hartzell ..... D23/383  
 7,938,348 B2 5/2011 Evans et al.  
 7,971,813 B2 7/2011 O'Leary et al.  
 7,980,498 B2 7/2011 Johnson et al.  
 8,191,809 B2 6/2012 Johnson et al.  
 8,272,587 B2 9/2012 Johnson et al.

FOREIGN PATENT DOCUMENTS

DE 3240126 A1 5/1984  
 EP 0265751 A1 4/1988  
 GB 2099776 A 12/1982  
 GB 2124194 A 2/1984

\* cited by examiner

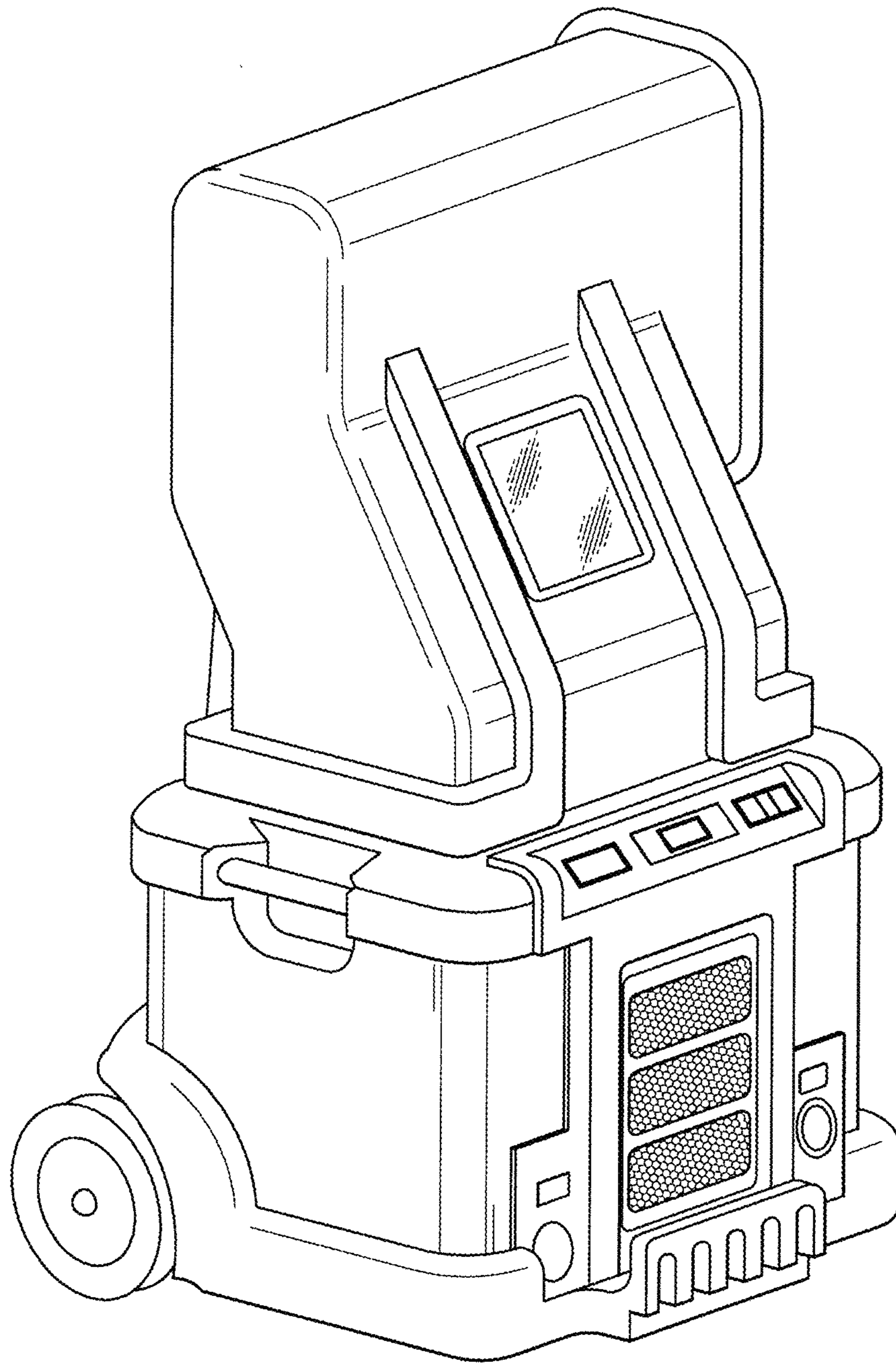


FIG. 1

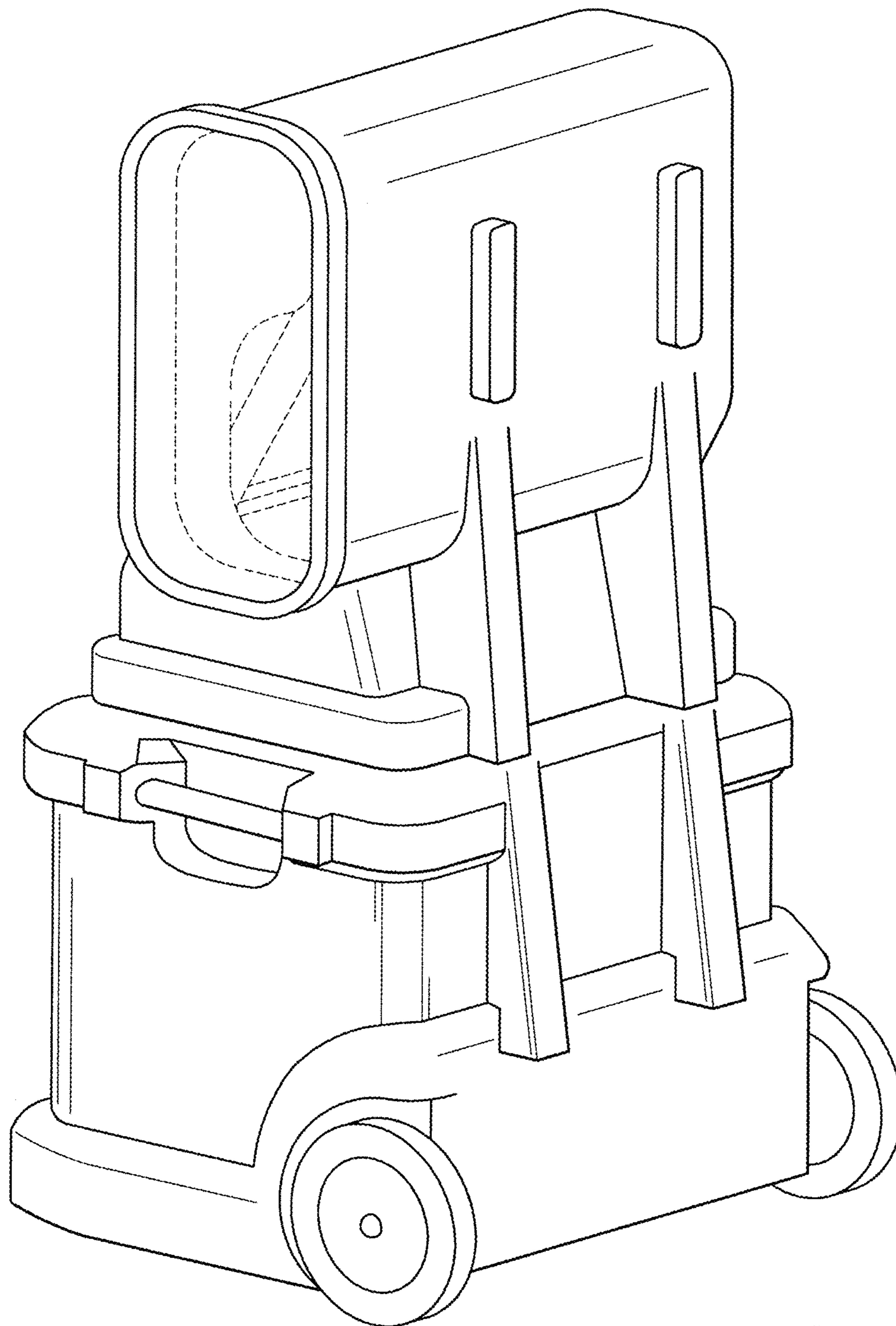


FIG. 2

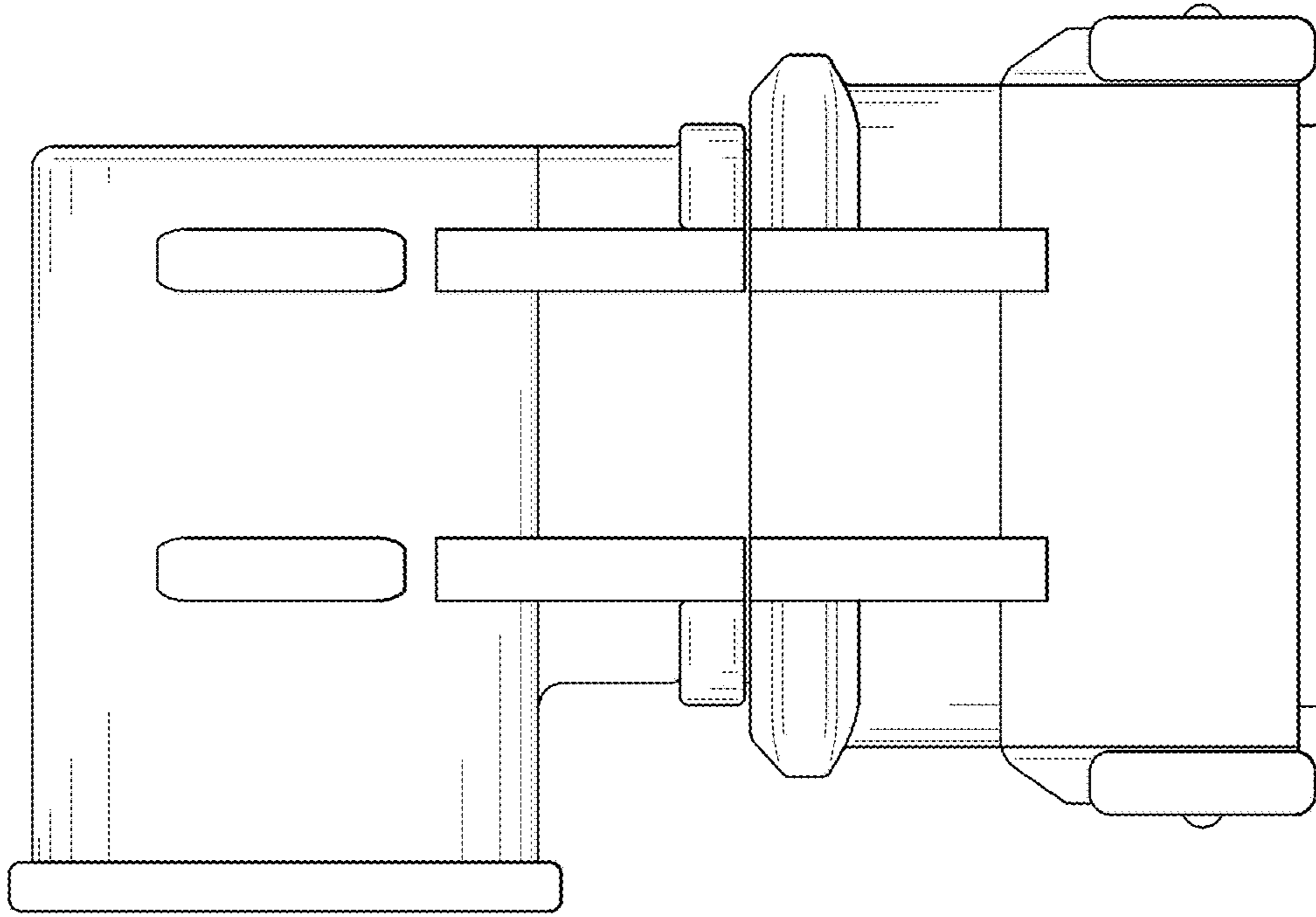


FIG. 3

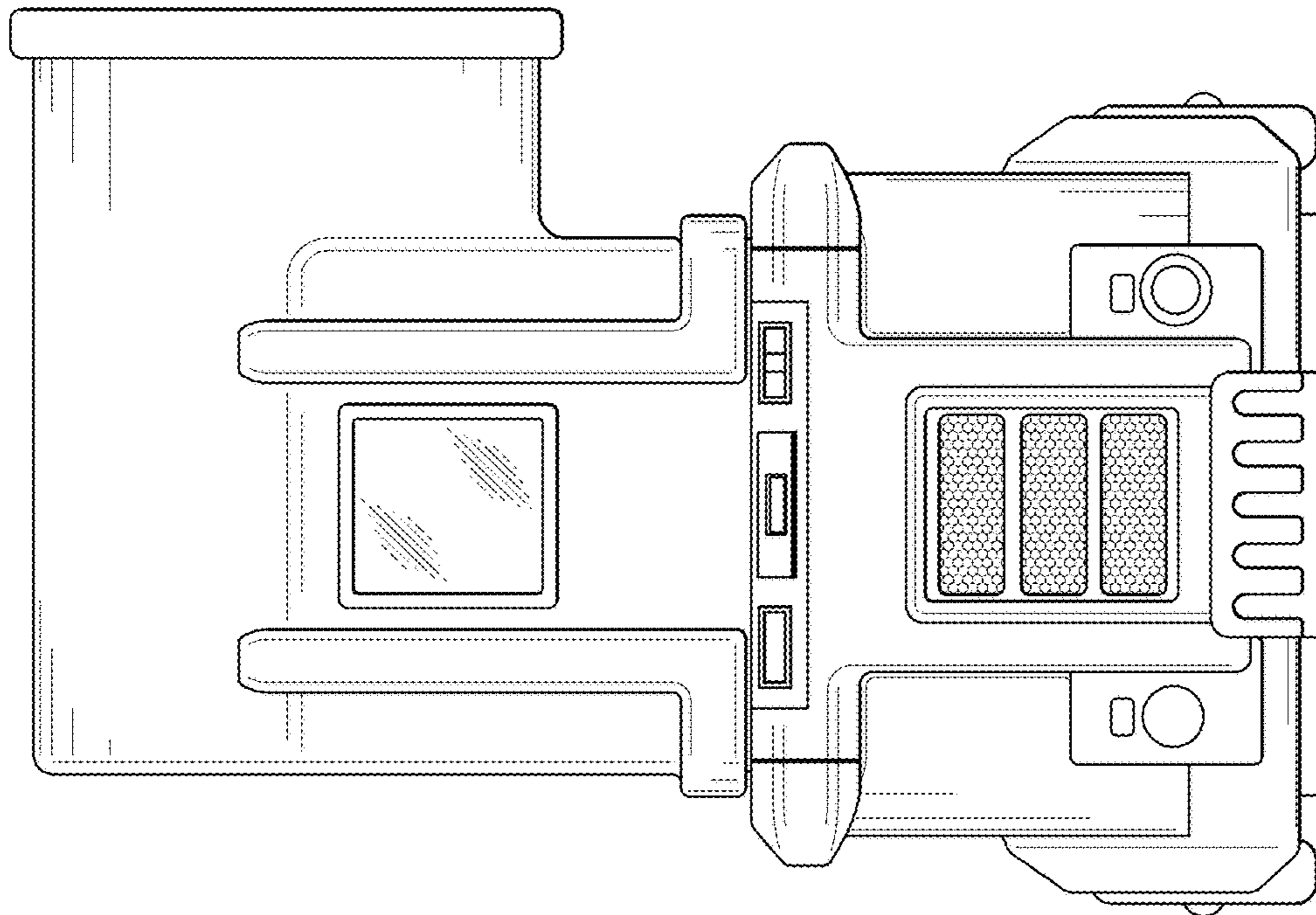


FIG. 4

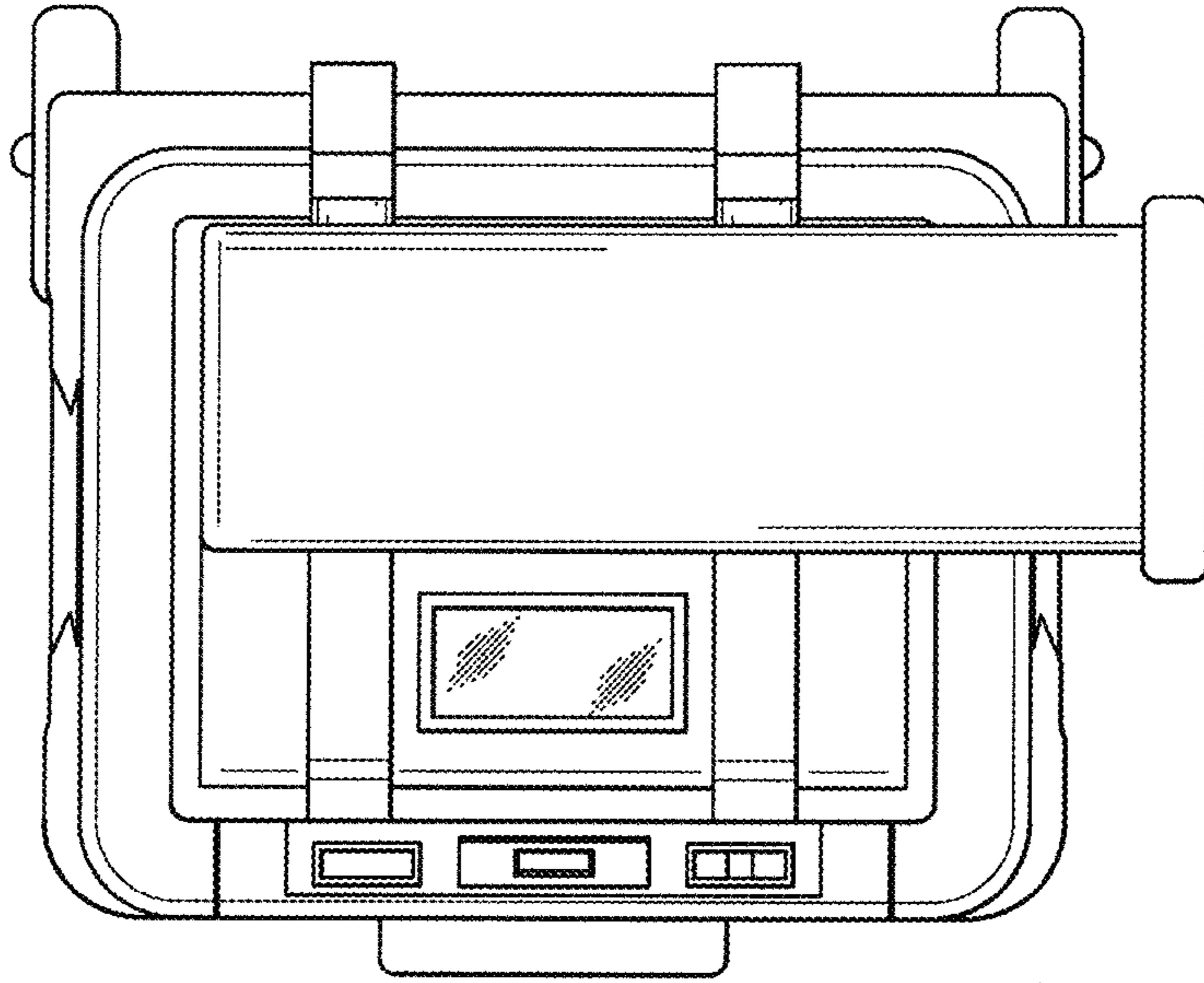


FIG. 5

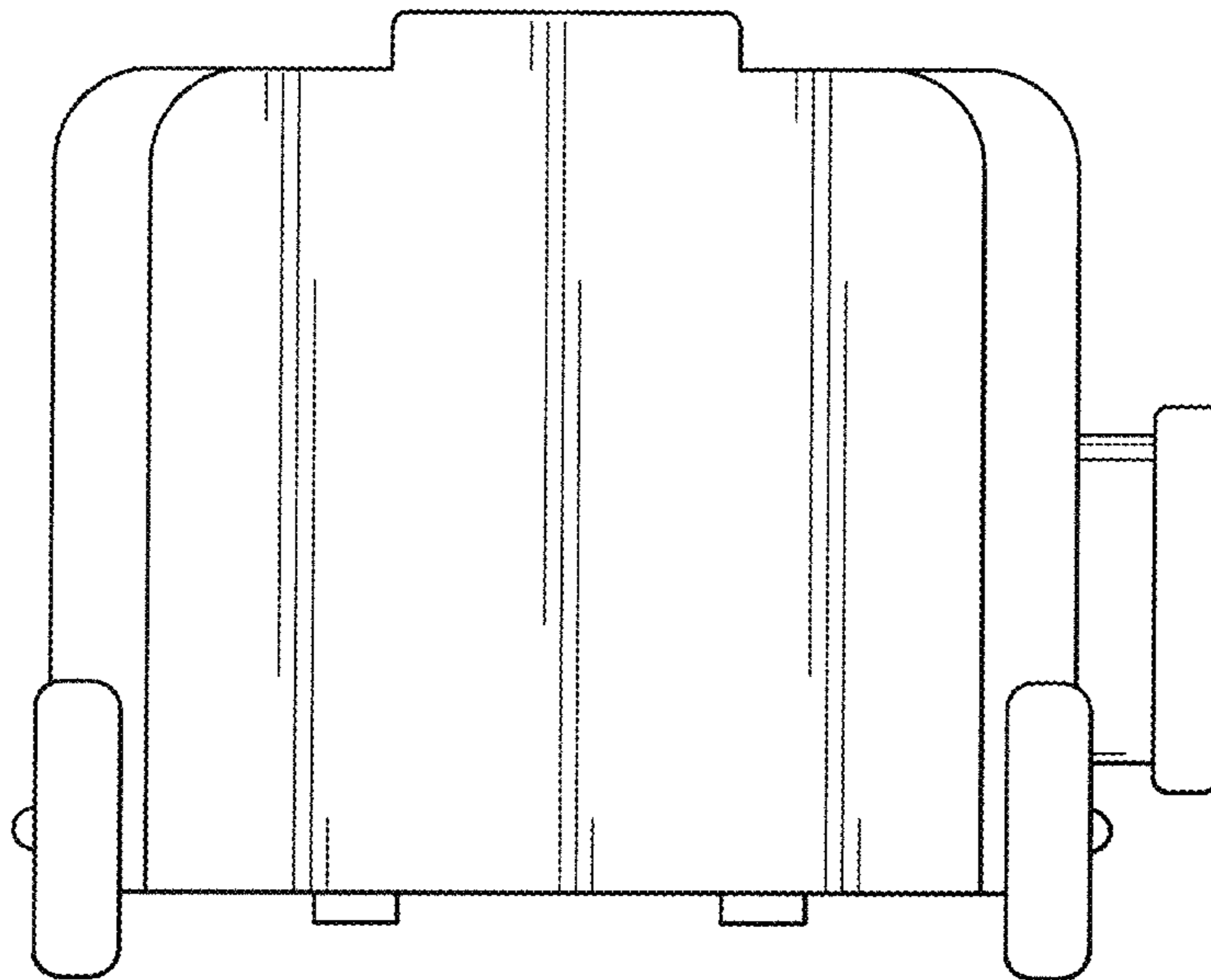


FIG. 6

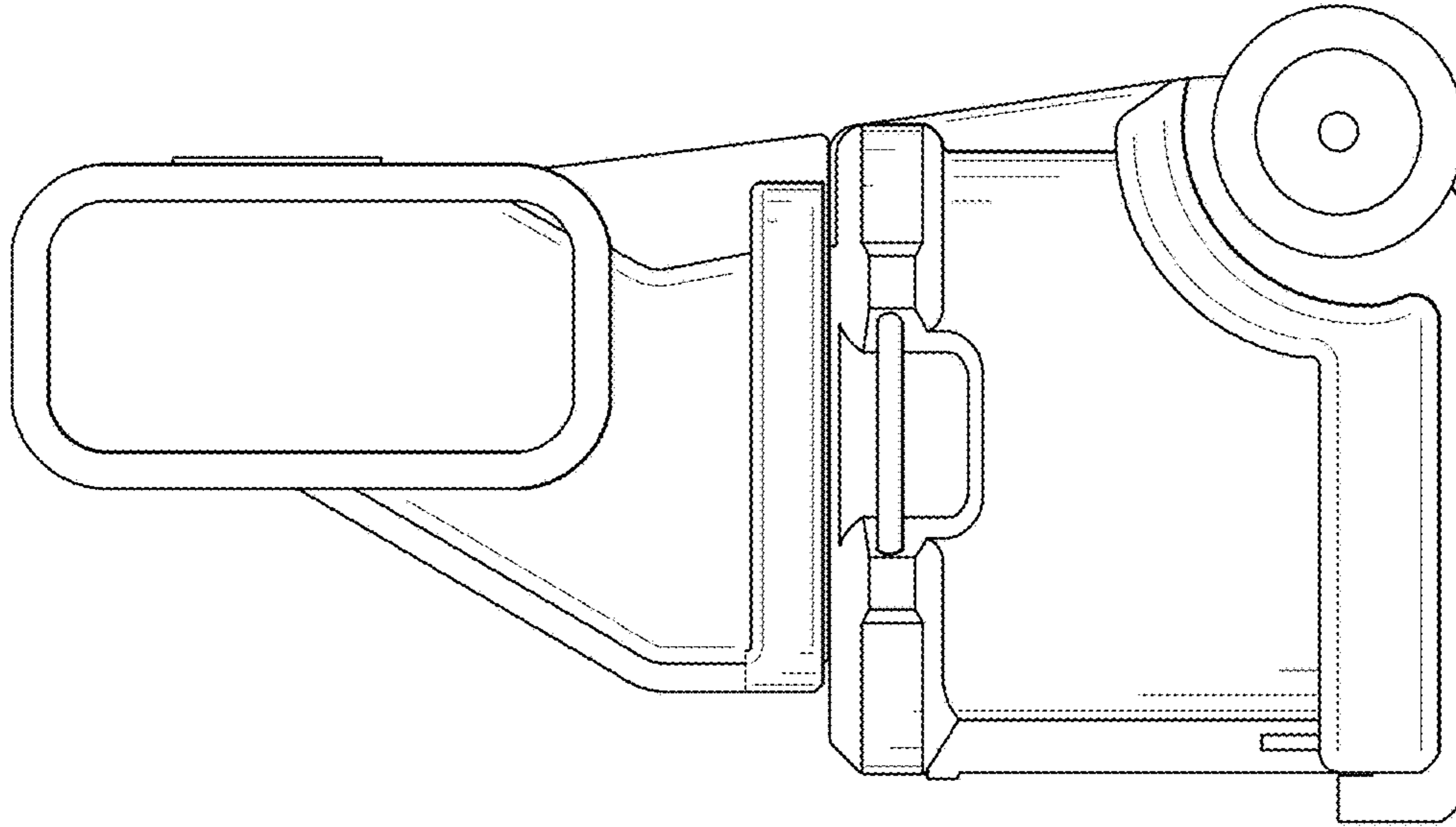


FIG. 8

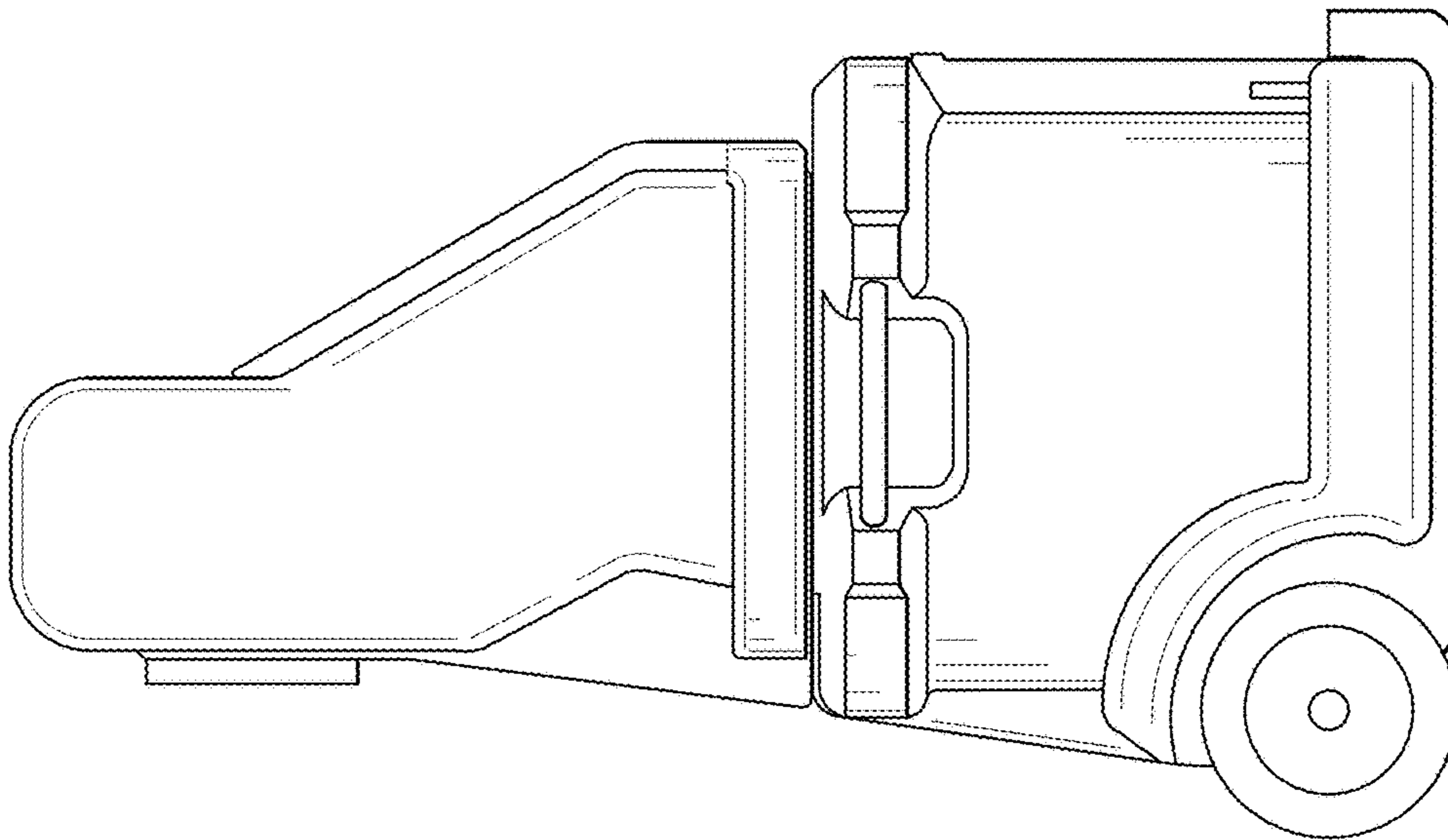


FIG. 7