



US00D783055S

(12) **United States Design Patent**
Charriere

(10) **Patent No.:** **US D783,055 S**

(45) **Date of Patent:** **** Apr. 4, 2017**

(54) **CONTROL BOX**

(71) Applicant: **DOSATRON INTERNATIONAL**,
Tresses, Bordeaux (FR)

(72) Inventor: **Christophe Charriere**, Camblanes et
Meynac (FR)

(73) Assignee: **DOSATRON INTERNATIONAL**,
Tresses, Bordeaux (FR)

(**) Term: **15 Years**

(21) Appl. No.: **29/546,954**

(22) Filed: **Nov. 30, 2015**

(30) **Foreign Application Priority Data**

Jun. 18, 2015 (EM) 002721845-0003

(51) **LOC (10) Cl.** **15-02**

(52) **U.S. Cl.**
USPC **D15/9; D10/49; D13/162; D15/148**

(58) **Field of Classification Search**
USPC D10/49; D13/162, 162.1, 163, 164, 184;
D15/9, 148
CPC H05K 5/00; H05K 5/0004; H05K 5/0008;
H05K 5/0013; H05K 5/0017; H05K
5/0021; H05K 5/0026; H05K 5/003;
H05K 5/0034; H05K 5/0039; H05K
5/0043; H05K 5/0047; H05K 5/0052;
H05K 5/0056; H05K 5/006; H05K
5/0065; H05K 5/0069
See application file for complete search history.

(56) **References Cited**

U.S. PATENT DOCUMENTS

D365,085 S * 12/1995 Aoyama D13/162
D371,115 S * 6/1996 Stern D13/164

D402,268 S * 12/1998 Gerdin D13/162
D554,154 S * 10/2007 Hansen D15/9
D556,218 S * 11/2007 Hansen D13/123
7,619,898 B2 * 11/2009 Jensen H05K 5/0021
361/715
D609,194 S * 2/2010 Lin D13/158
D740,326 S * 10/2015 Jung D14/496

* cited by examiner

Primary Examiner — Antoine D Davis

(74) *Attorney, Agent, or Firm* — Wenderoth, Lind &
Ponack, L.L.P.

(57) **CLAIM**

The ornamental design for control box, as shown and
described.

DESCRIPTION

The patent or application file contains at least one drawing
executed in color. Copies of this patent or patent application
publication with color drawing(s) will be provided by the
Office upon request and payment of the necessary fee.

FIG. 1 is a right perspective view of the first embodiment of
control box;

FIG. 2 is a left perspective view thereof;

FIG. 3 is a front view thereof;

FIG. 4 is a rear view thereof;

FIG. 5 is a right side view thereof;

FIG. 6 is a left side view thereof; and,

FIG. 7 is a top view thereof.

No claim is made to the color appearing in the drawings.

1 Claim, 7 Drawing Sheets
(4 of 7 Drawing Sheet(s) Filed in Color)



FIG. 1



FIG. 2



FIG. 3



FIG. 4

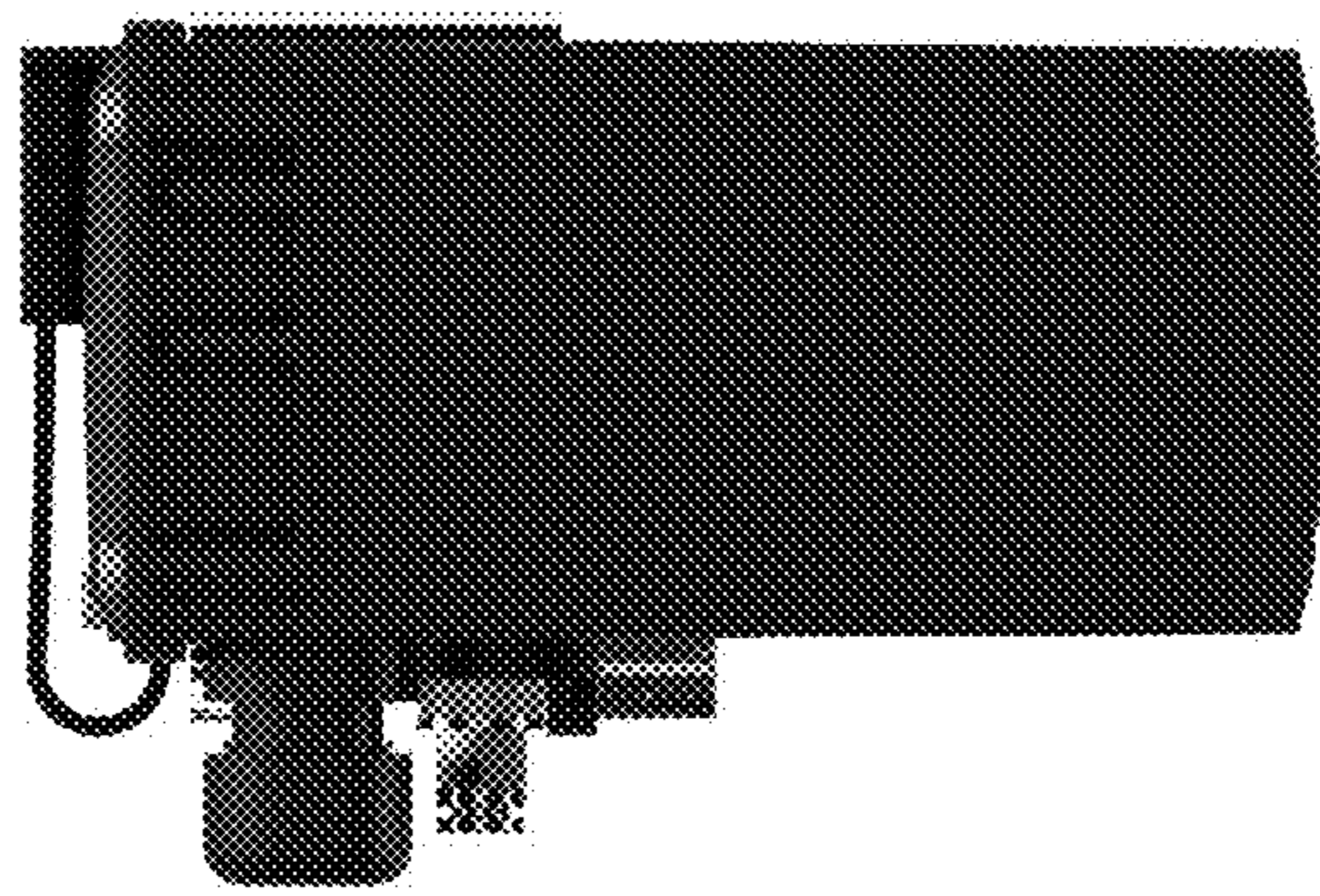


FIG. 5

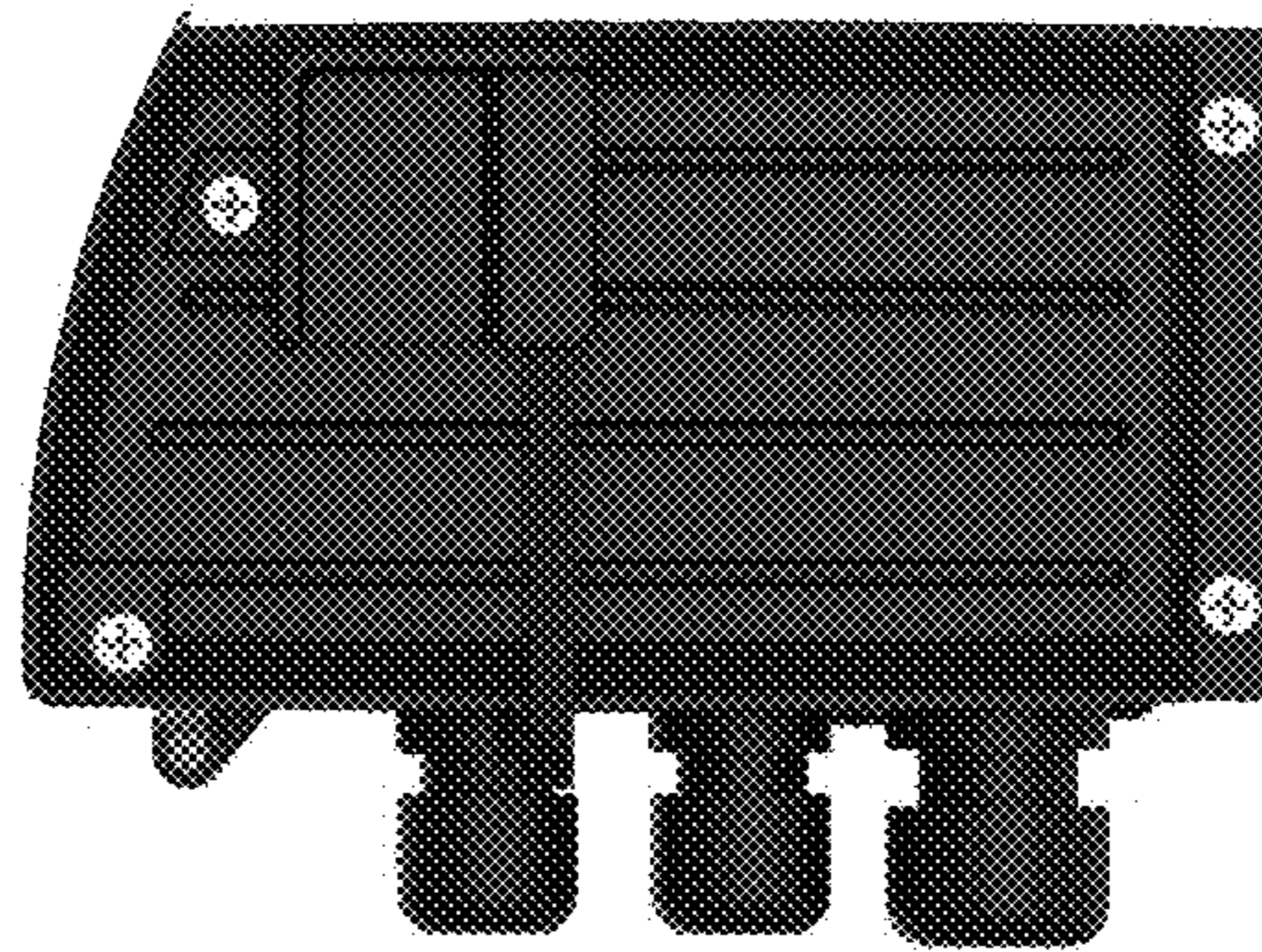


FIG. 6

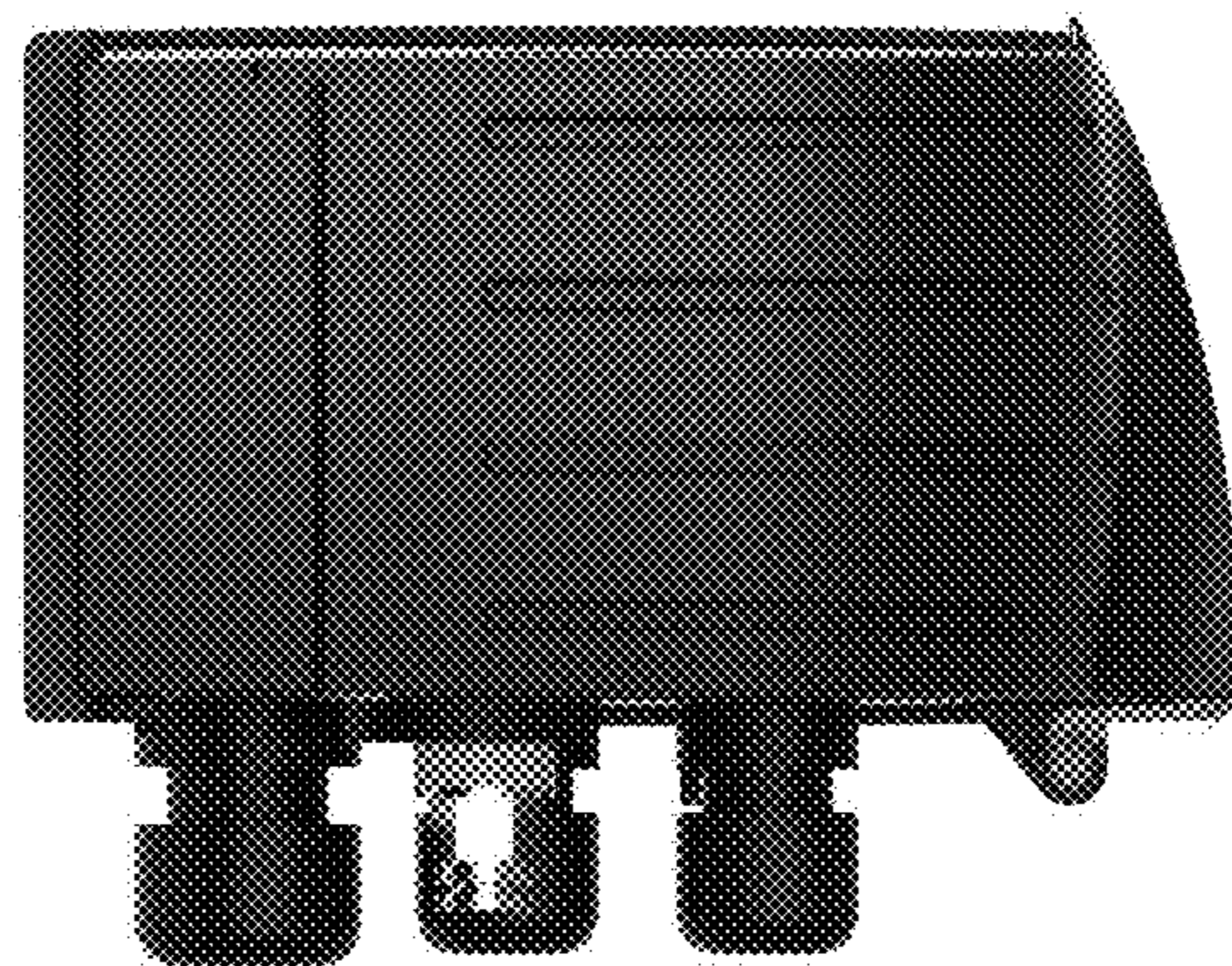


FIG. 7

