



US00D783054S

(12) **United States Design Patent** (10) **Patent No.:** **US D783,054 S**
Krishnan et al. (45) **Date of Patent:** **** Apr. 4, 2017**

(54) **COMBINED INFLATION MACHINE AND TURNTABLE ASSEMBLY**

(71) Applicant: **Automated Packaging Systems, Inc.**, Streetsboro, OH (US)

(72) Inventors: **Vivek J. Krishnan**, Redwood City, CA (US); **Michael G. Kaminski**, San Jose, CA (US); **Mia Shanholtzer**, Sunnyvale, CA (US); **H. Lawson Fisher**, Portola Valley, CA (US); **Ryan Braunstein**, San Carlos, CA (US)

(73) Assignee: **Automated Packaging Systems, Inc.**, Streetsboro, OH (US)

(**) Term: **15 Years**

(21) Appl. No.: **29/546,468**

(22) Filed: **Nov. 23, 2015**

(51) **LOC (10) Cl.** **15-02**

(52) **U.S. Cl.**
USPC **D15/7**

(58) **Field of Classification Search**
USPC D15/7-9; D23/231, 232, 225; 417/60, 417/235, 265, 321, 355, 358, 359, 363,
(Continued)

(56) **References Cited**

U.S. PATENT DOCUMENTS

D225,692 S * 12/1972 Bird D24/110
D289,523 S * 4/1987 Fussell D15/9
(Continued)

Primary Examiner — Ralf Seifert
(74) *Attorney, Agent, or Firm* — Calfee, Halter & Griswold LLP

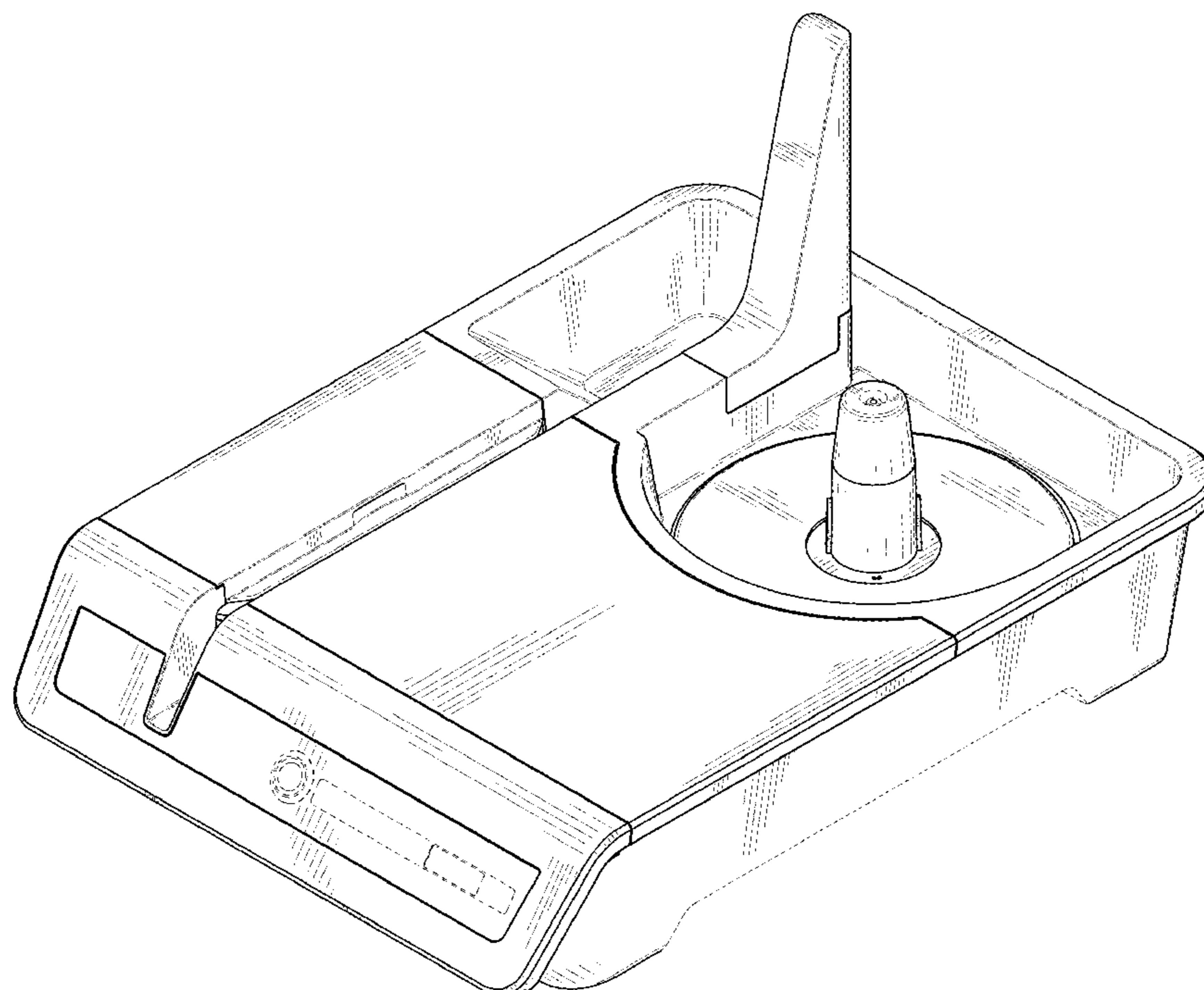
(57) **CLAIM**

The ornamental design for a combined inflation machine and turntable assembly, as shown and described.

DESCRIPTION

FIG. 1 is a top isometric view of a combined inflation machine and turntable assembly, showing our new design; FIG. 2 is a bottom isometric view of the combined inflation machine and turntable assembly of FIG. 1; FIG. 3 is a right side view of the combined inflation machine and turntable assembly of FIG. 1; FIG. 4 is a left side view of the combined inflation machine and turntable assembly of FIG. 1; FIG. 5 is a front view of the combined inflation machine and turntable assembly of FIG. 1; FIG. 6 is a rear view of the combined inflation machine and turntable assembly of FIG. 1; FIG. 7 is a top plan view of the combined inflation machine and turntable assembly of FIG. 1; FIG. 8 is a bottom plan view of the combined inflation machine and turntable assembly of FIG. 1; FIG. 9 is a top isometric view of the turntable, shown separately for ease of illustration; FIG. 10 is a left side view of the turntable of FIG. 9; FIG. 11 is a front side view of the turntable of FIG. 9; FIG. 12 is a right side view of the turntable of FIG. 9; FIG. 13 is a rear side view of the turntable of FIG. 9; FIG. 14 is a top plan view of the turntable of FIG. 9; and, FIG. 15 is a bottom plan view of the turntable of FIG. 9. Any portions of the Figures shown in broken lines are not part of the claimed design but are for illustration only.

1 Claim, 12 Drawing Sheets



(58) **Field of Classification Search**

USPC 417/410.1, 415-416, 405, 900; 60/408,
60/412; 184/26-37; 415/140-147;
D18/18; D24/110; 137/223; 251/149.9;
222/548

CPC F02M 37/04; F02M 37/14; F04B 53/92;
F04B 1/005

See application file for complete search history.

(56) **References Cited**

U.S. PATENT DOCUMENTS

7,434,594 B1 * 10/2008 Robbins F16K 15/205
137/223
D710,901 S * 8/2014 Brokenshire D15/7
D730,408 S * 5/2015 Brokenshire D15/7
D734,366 S * 7/2015 Høglund D15/7
D766,990 S * 9/2016 Crowsley D15/7

* cited by examiner

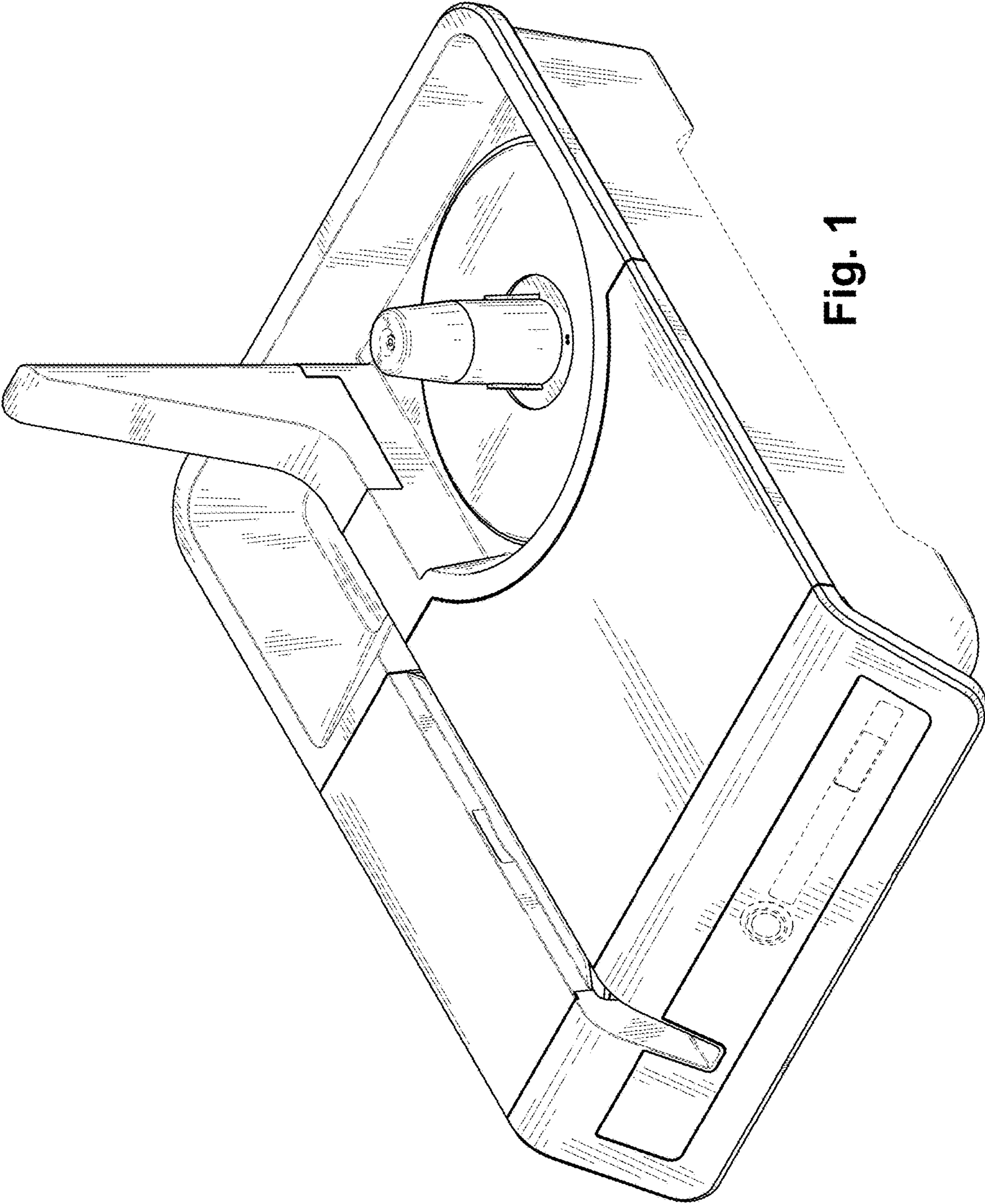


Fig. 1

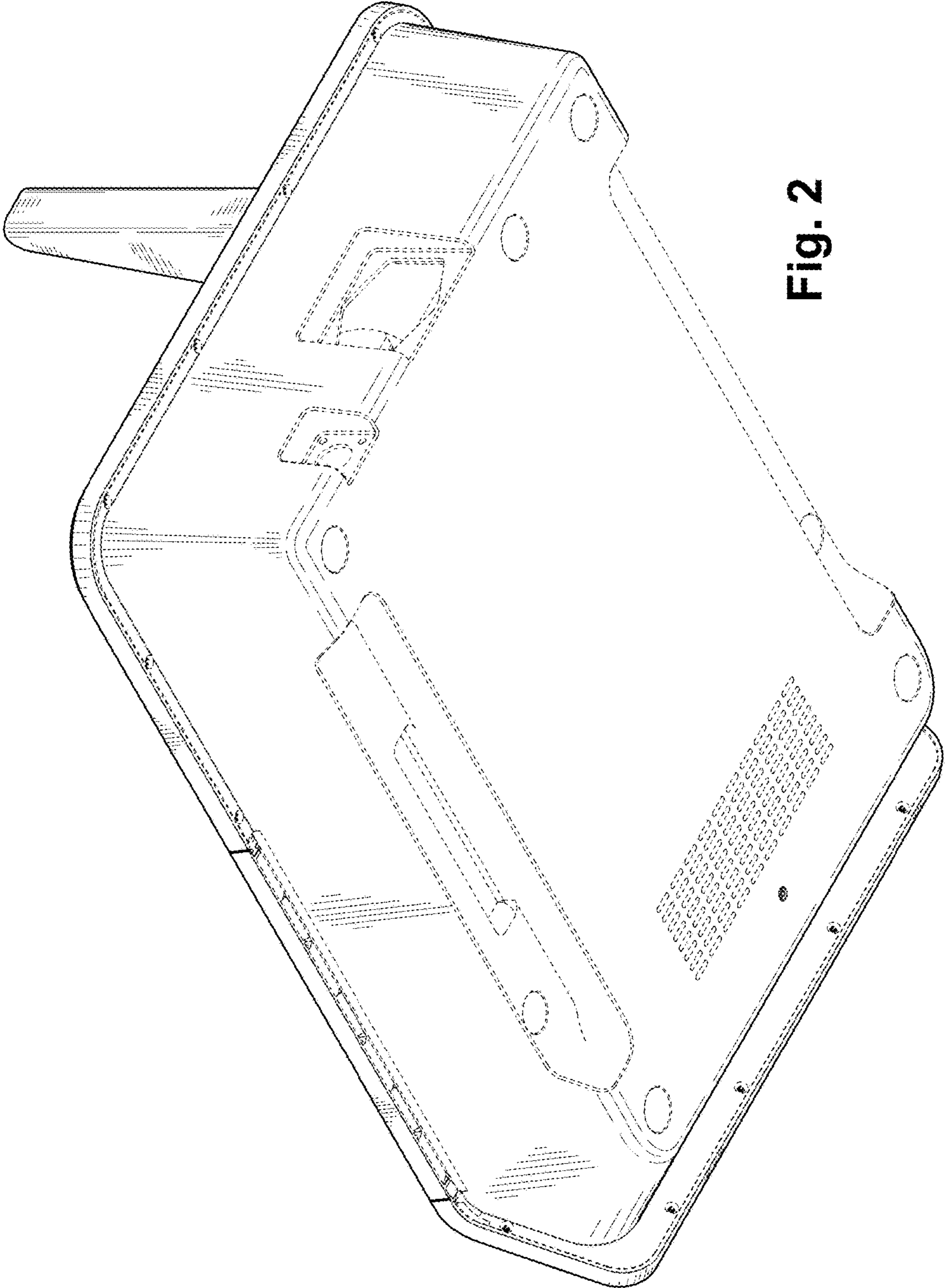


Fig. 2

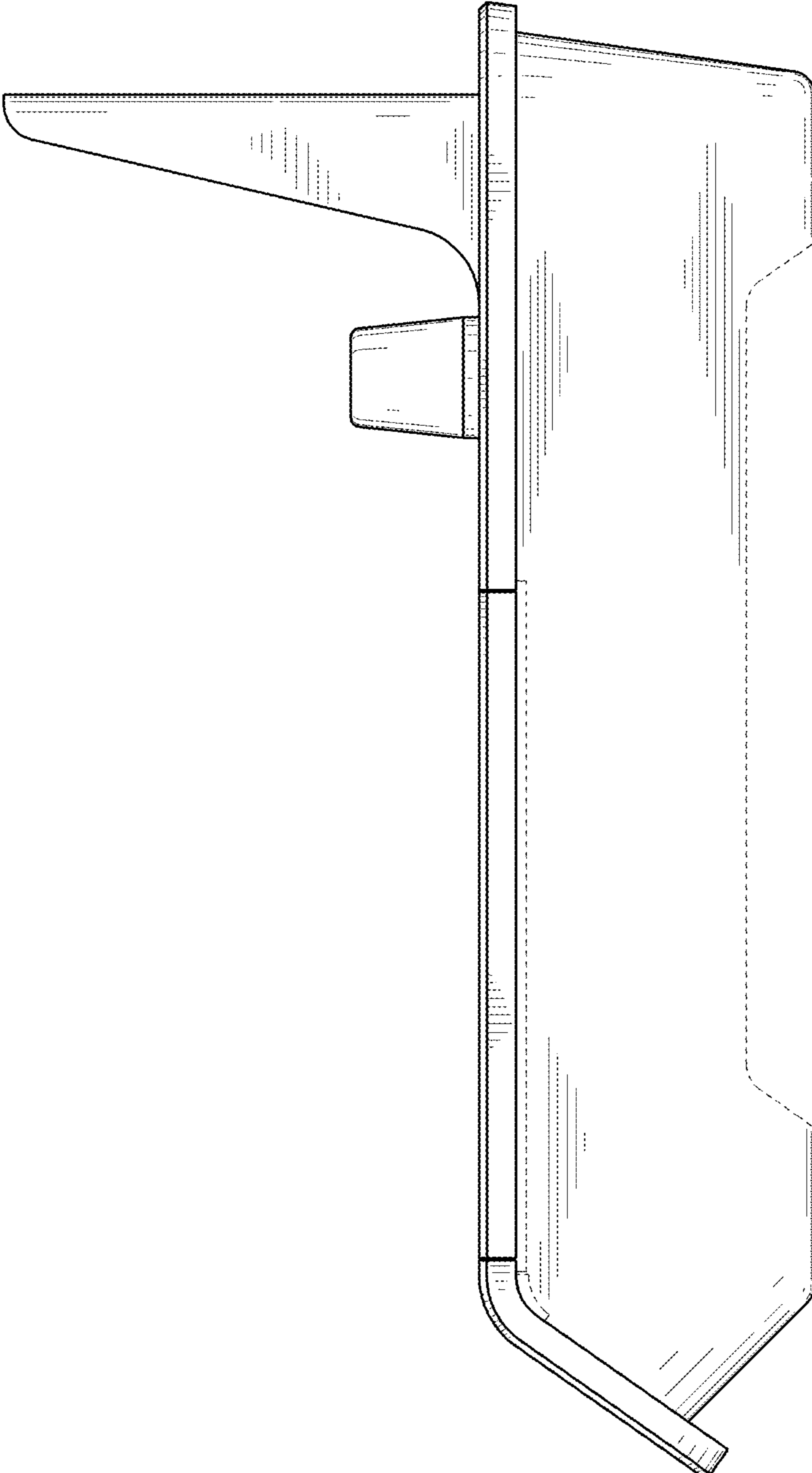


Fig. 3

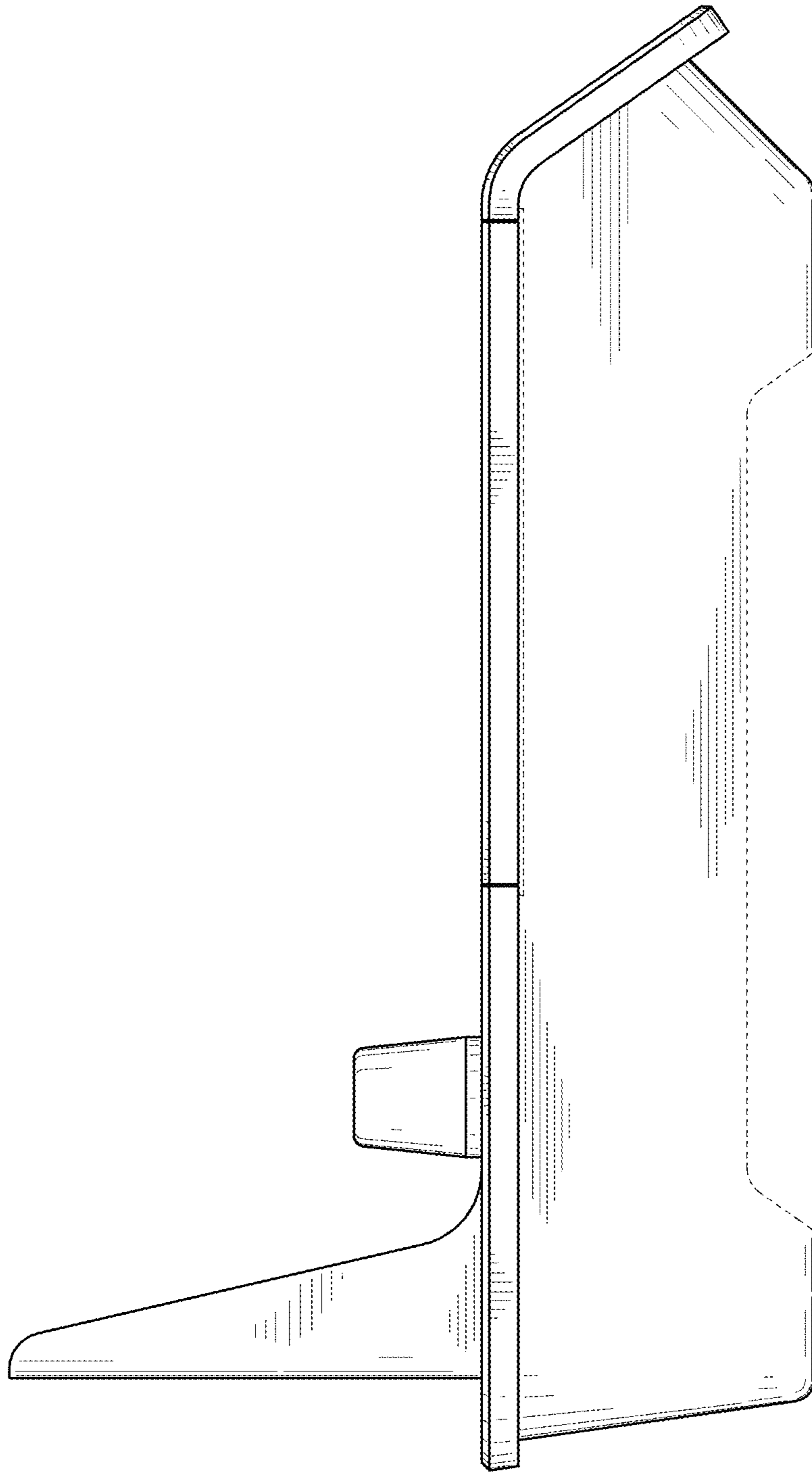


Fig. 4

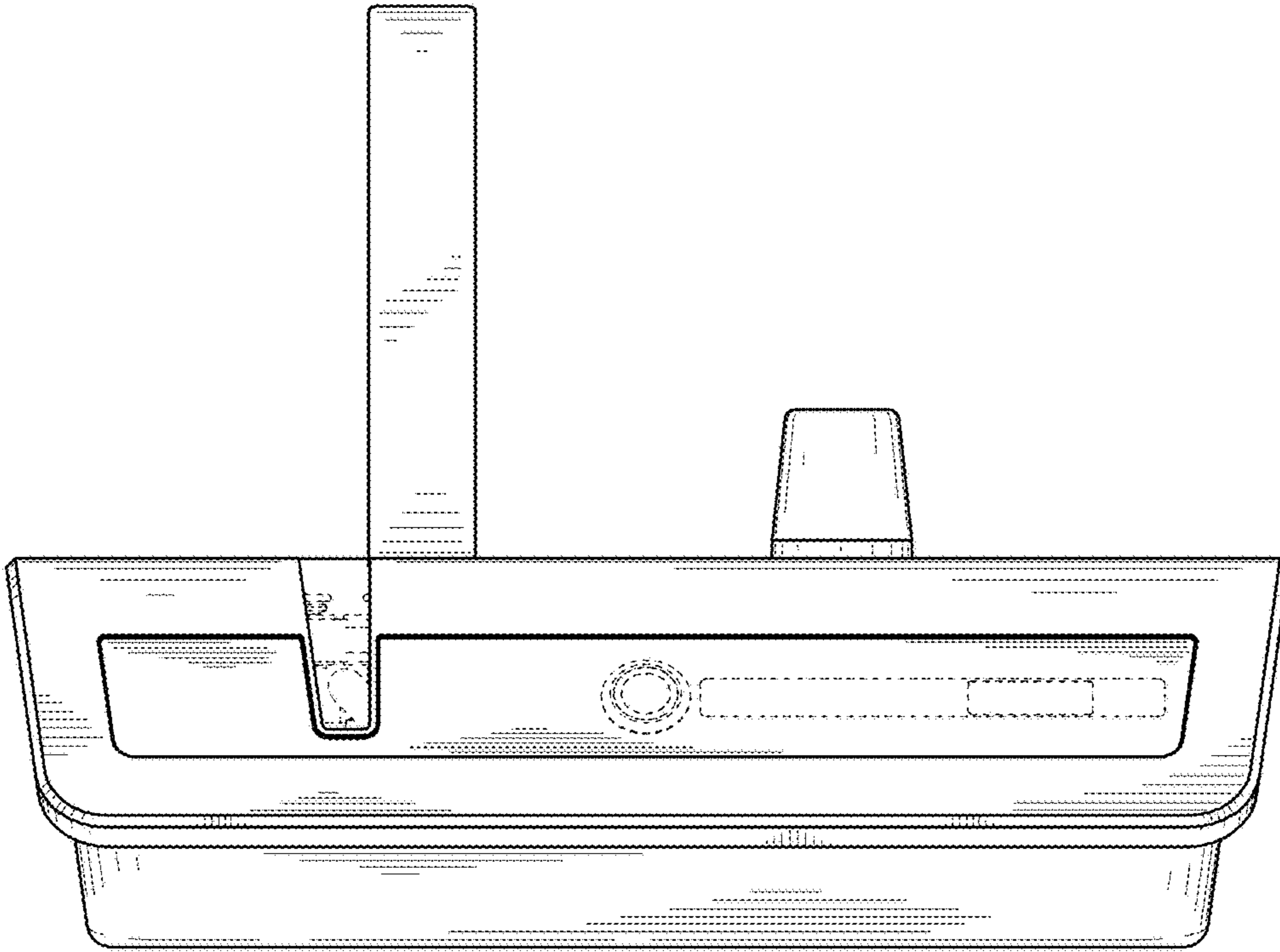


Fig. 5

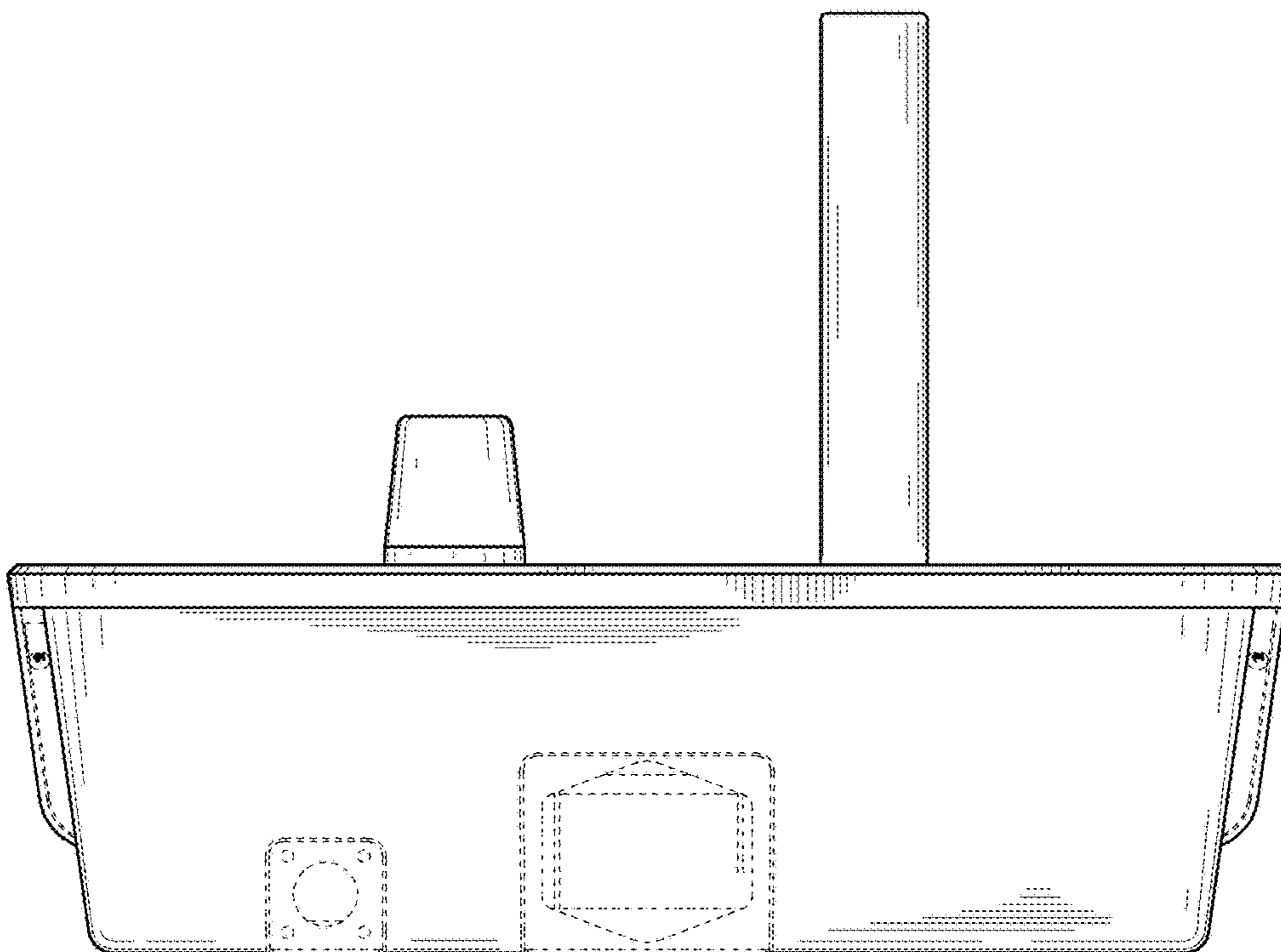


Fig. 6

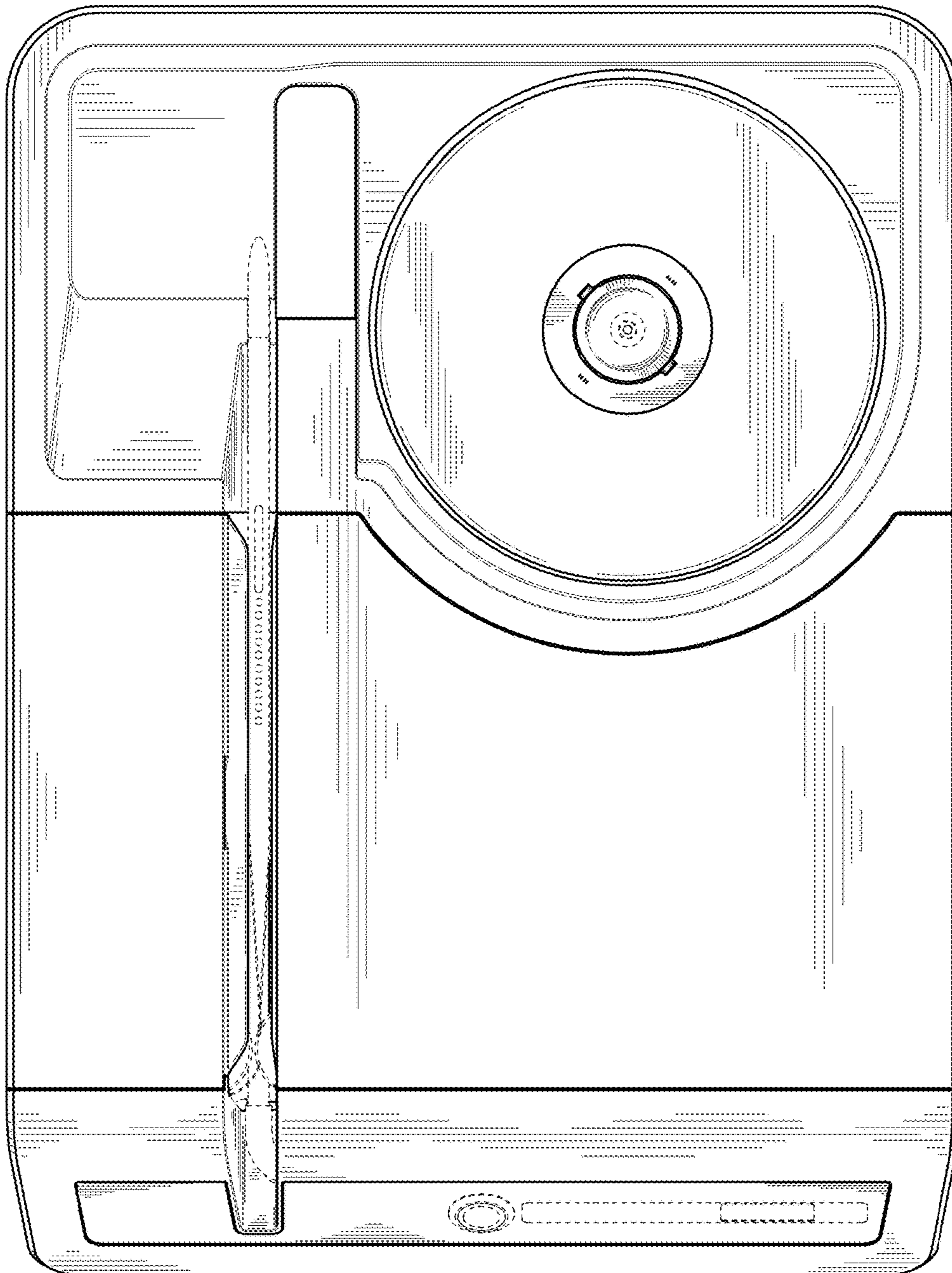


Fig. 7

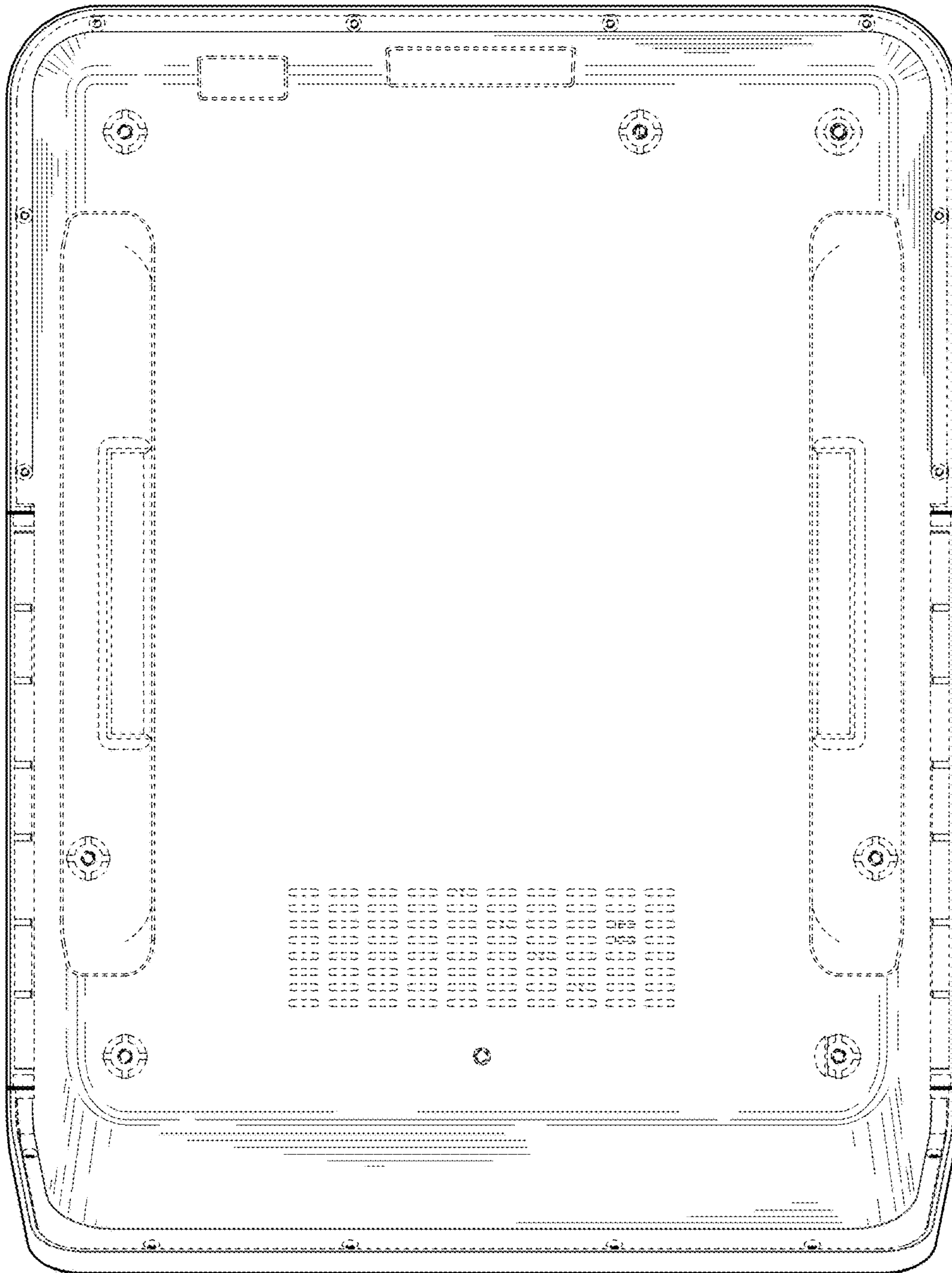


Fig. 8

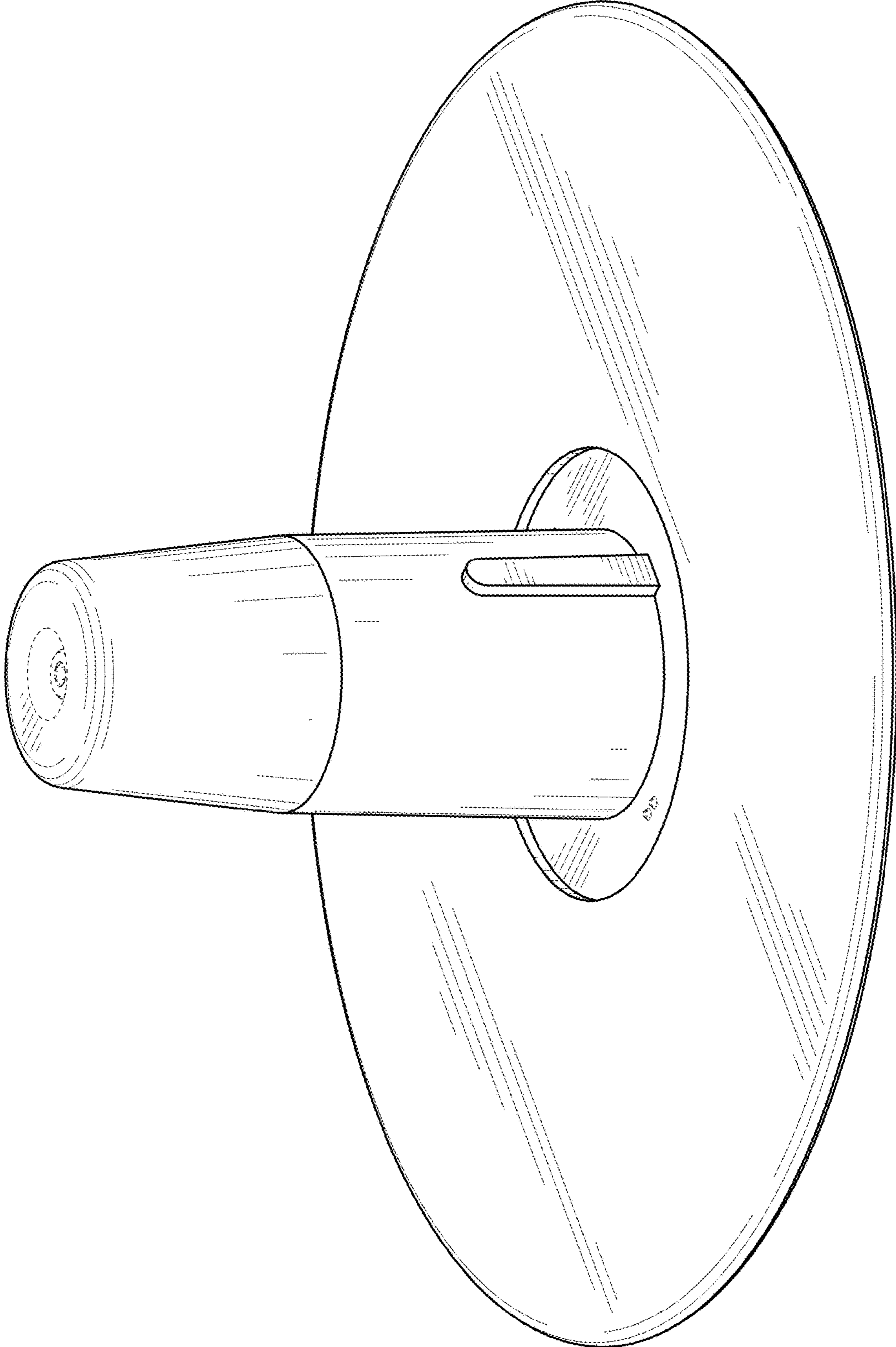


Fig. 9

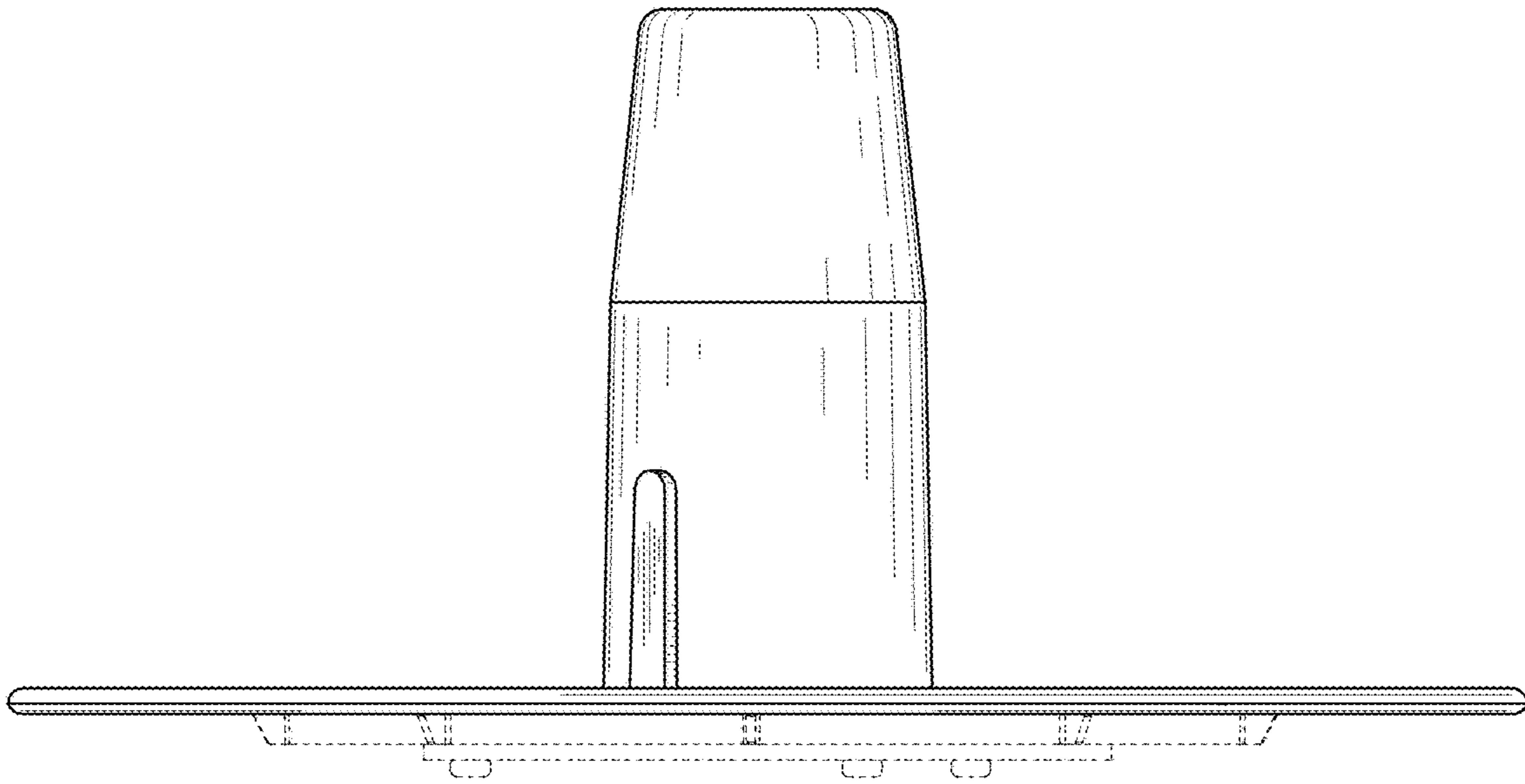


Fig. 10

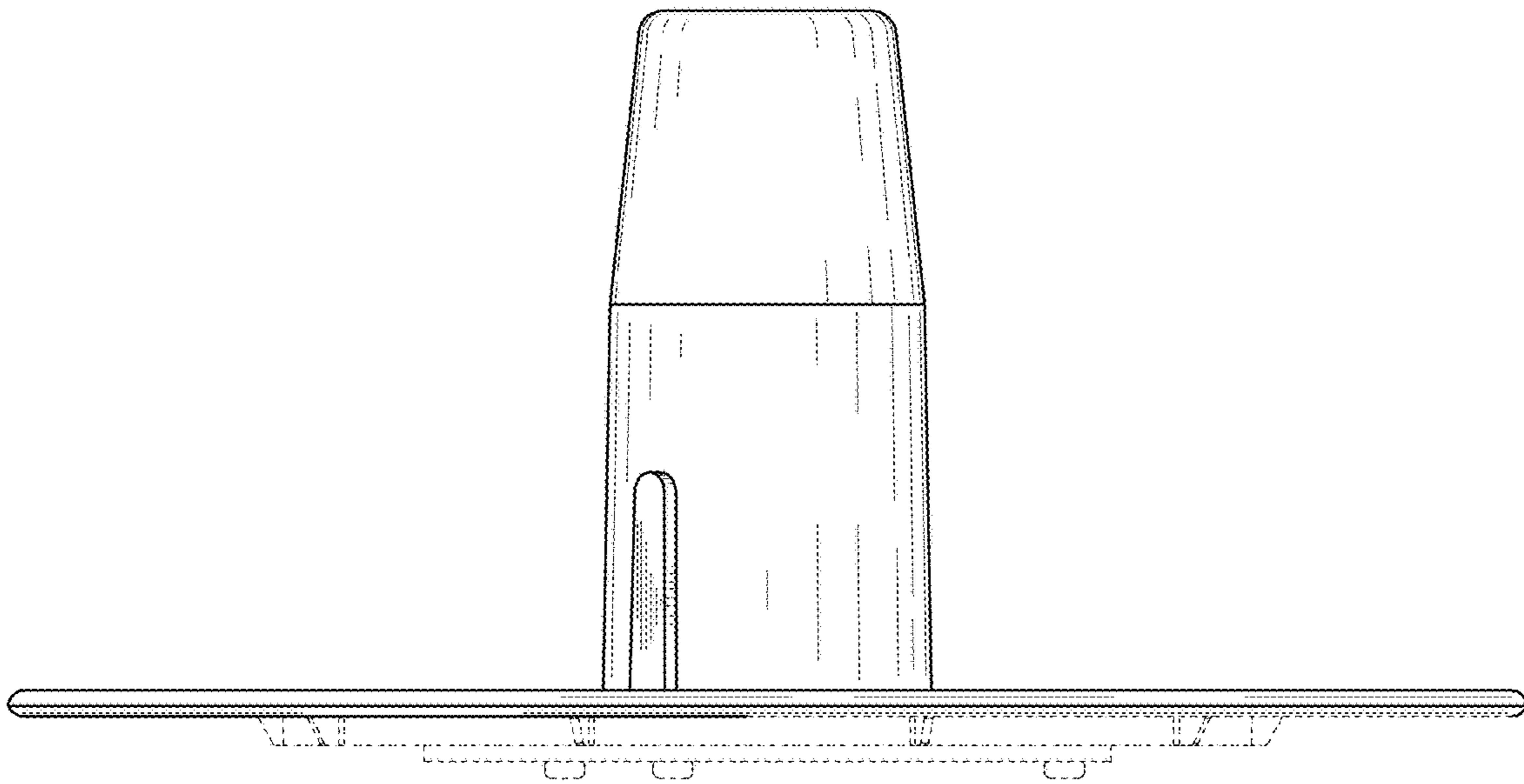


Fig. 11

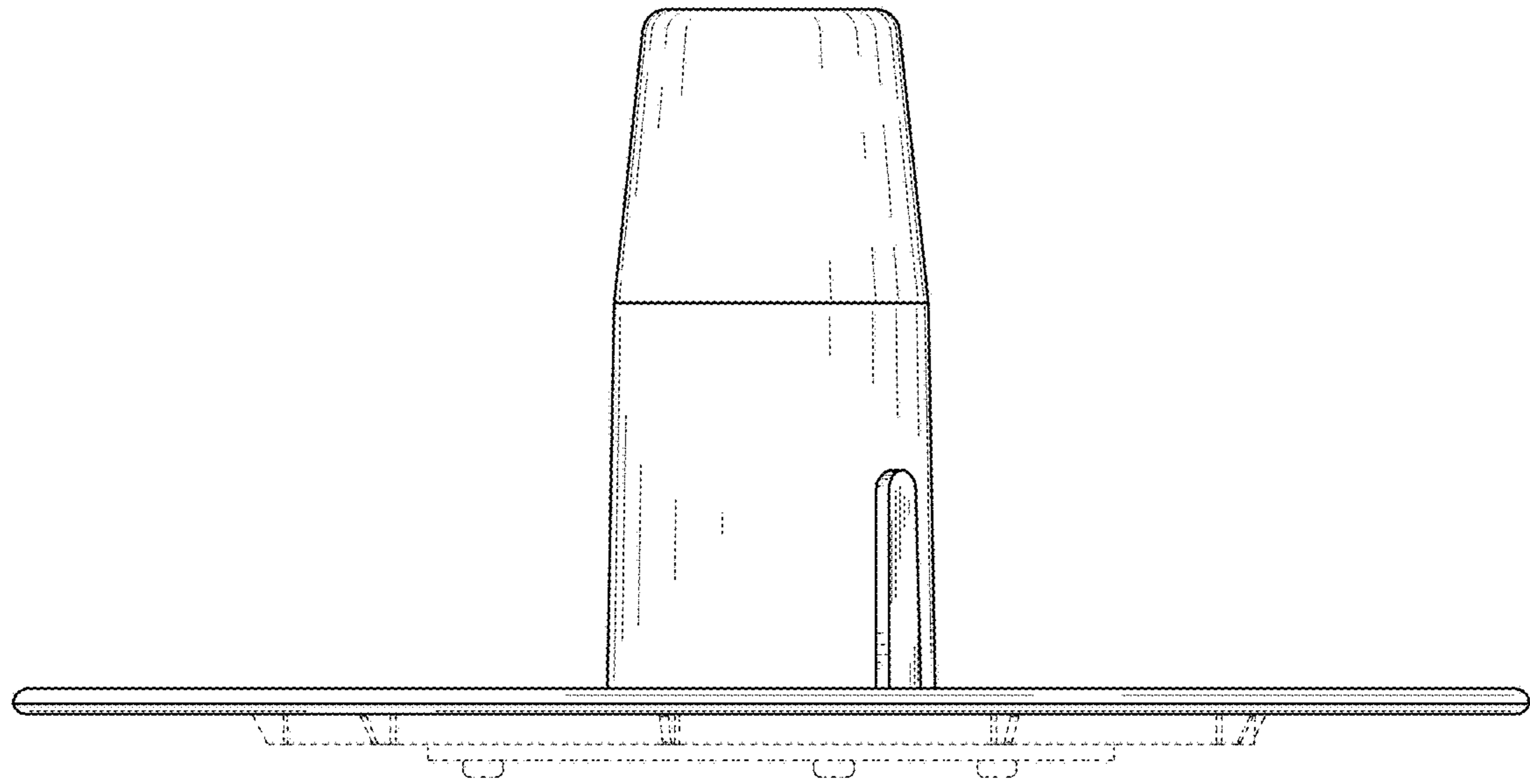


Fig. 12

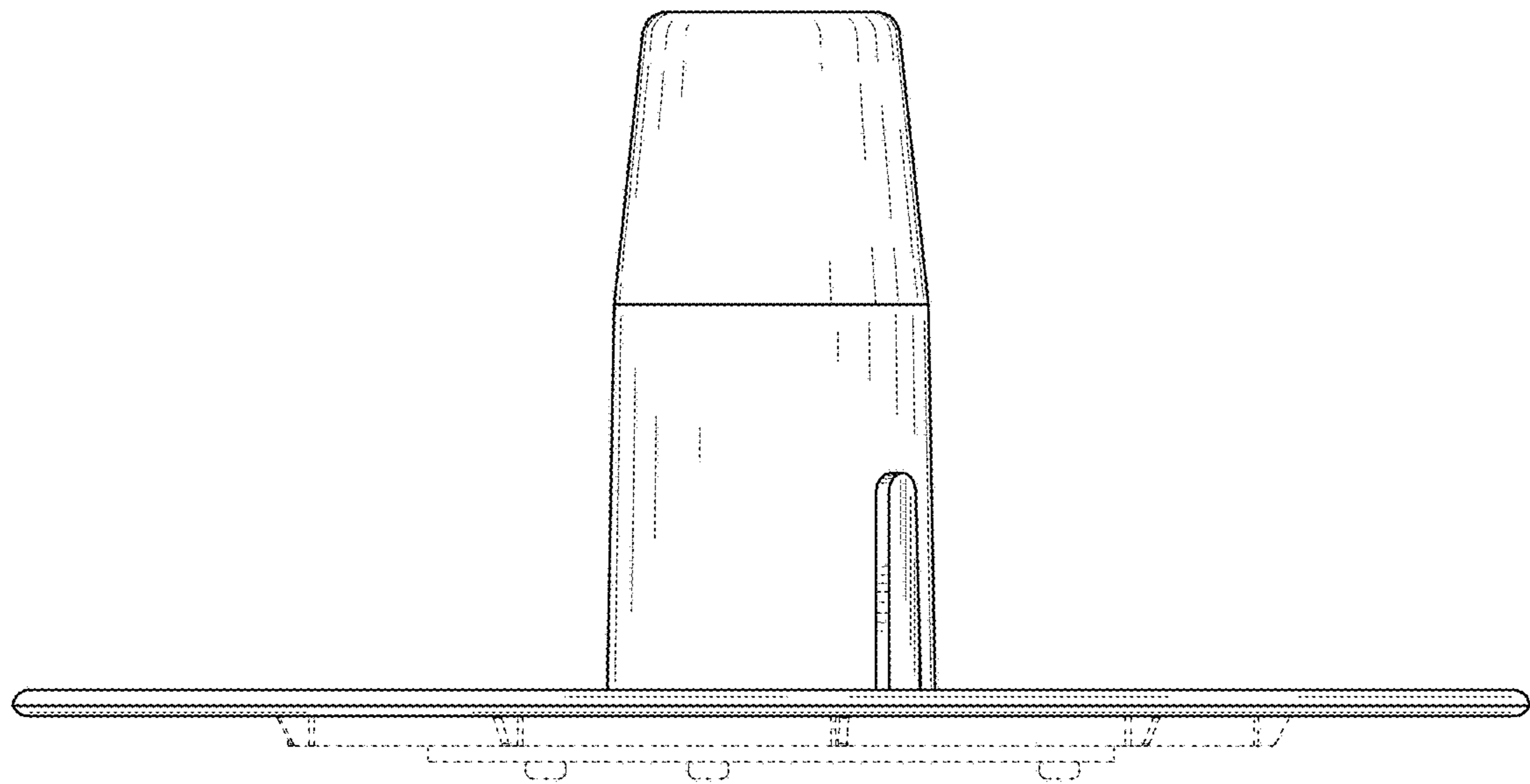


Fig. 13



Fig. 14

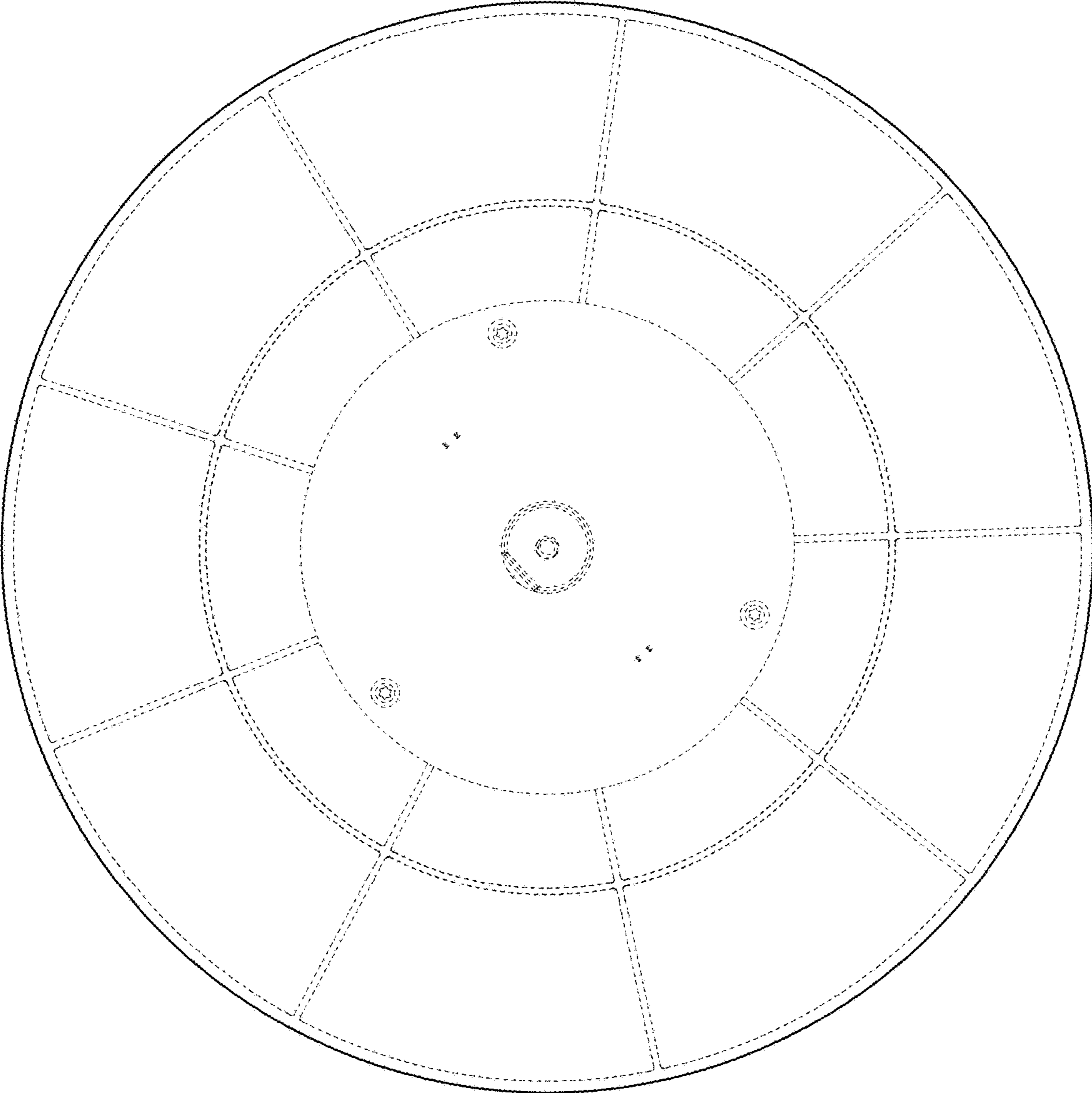


Fig. 15