



US00D783046S

(12) **United States Design Patent**  
**Dzjind et al.**

(10) **Patent No.:** **US D783,046 S**

(45) **Date of Patent:** **\*\* Apr. 4, 2017**

(54) **DISPLAY SCREEN WITH GRAPHICAL USER INTERFACE**

D598,027 S 8/2009 Carpenter et al.  
D607,007 S 12/2009 Kocmick  
D644,243 S \* 8/2011 Matas ..... D14/489  
(Continued)

(71) Applicant: **Microsoft Corporation**, Redmond, WA (US)

(72) Inventors: **Telmen Dzjind**, Zuid (NL); **Anthony J. Giardini**, Seattle, WA (US); **Xiaoji Chen**, Seattle, WA (US)

(73) Assignee: **Microsoft Corporation**, Redmond, WA (US)

(\*\*) Term: **15 Years**

(21) Appl. No.: **29/546,618**

(22) Filed: **Nov. 24, 2015**

(51) **LOC (10) Cl.** ..... **14-04**

(52) **U.S. Cl.**

USPC ..... **D14/488**

(58) **Field of Classification Search**

USPC ..... D14/485-495

CPC ..... A63F 2300/66; A63F 2300/8082; A63F 13/00; A63F 13/12; A63F 13/30; A63F 13/40

See application file for complete search history.

(56) **References Cited**

**U.S. PATENT DOCUMENTS**

- 6,047,292 A \* 4/2000 Kelly ..... G06F 17/30017  
707/999.01
- 6,211,887 B1 \* 4/2001 Meier ..... G06F 17/246  
345/440
- D543,987 S 6/2007 Rimas-Ribikauskas et al.
- D550,240 S 9/2007 Viegars et al.
- D554,661 S 11/2007 Hoover
- D558,214 S 12/2007 Parish et al.
- D588,154 S 3/2009 Bouchard et al.

**OTHER PUBLICATIONS**

GF LaserBolt GamerFuzion, How to configure your xbox one elite, Nov. 2, 2015, youtube.com [online], [site visited Oct. 13, 2016]. Available from Internet: <https://www.youtube.com/watch?v=7-u9BQ\_GX3A>.\*

(Continued)

*Primary Examiner* — Karen Kearney

*Assistant Examiner* — Katherine Holbrow

(74) *Attorney, Agent, or Firm* — Banner & Witcoff, Ltd.

(57) **CLAIM**

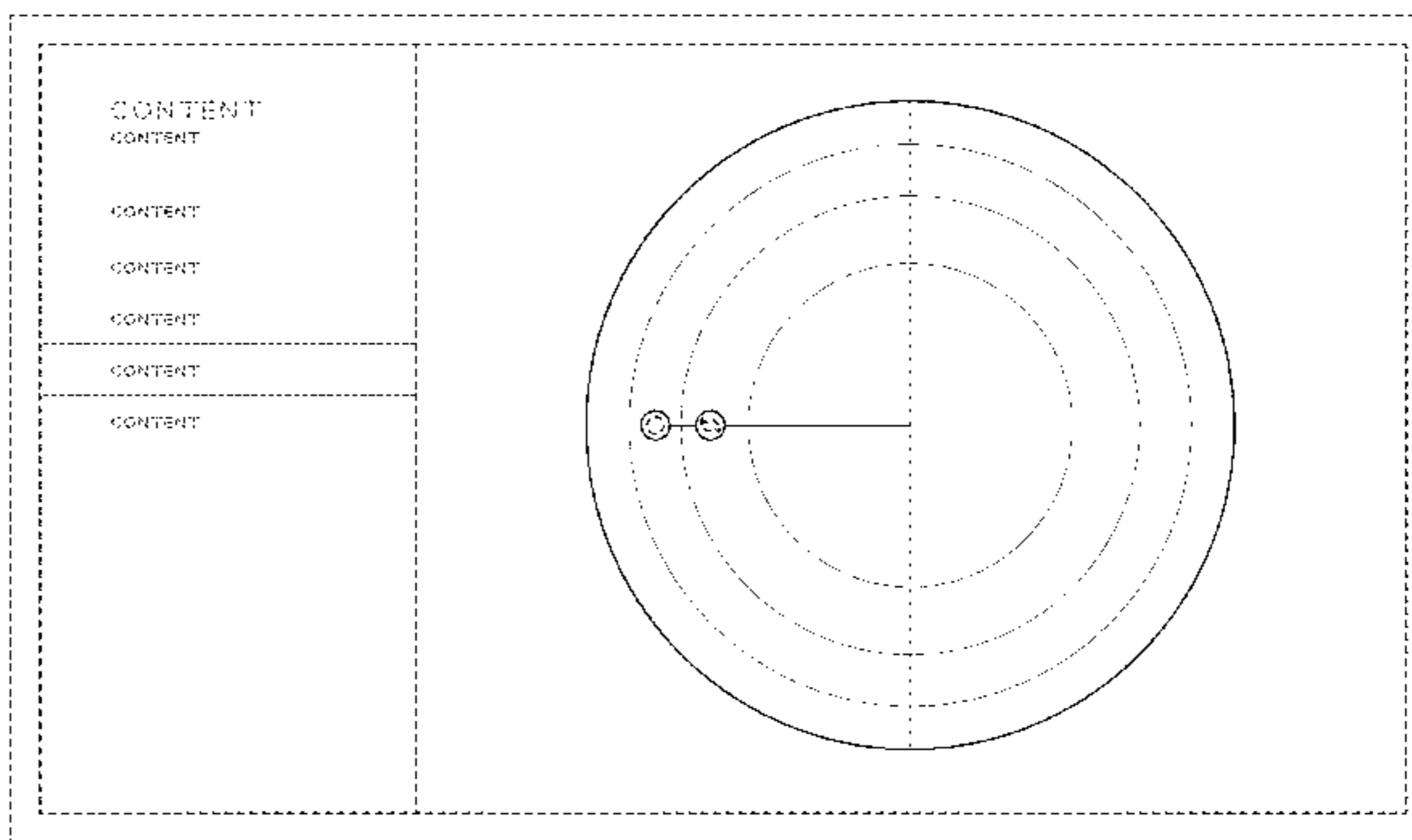
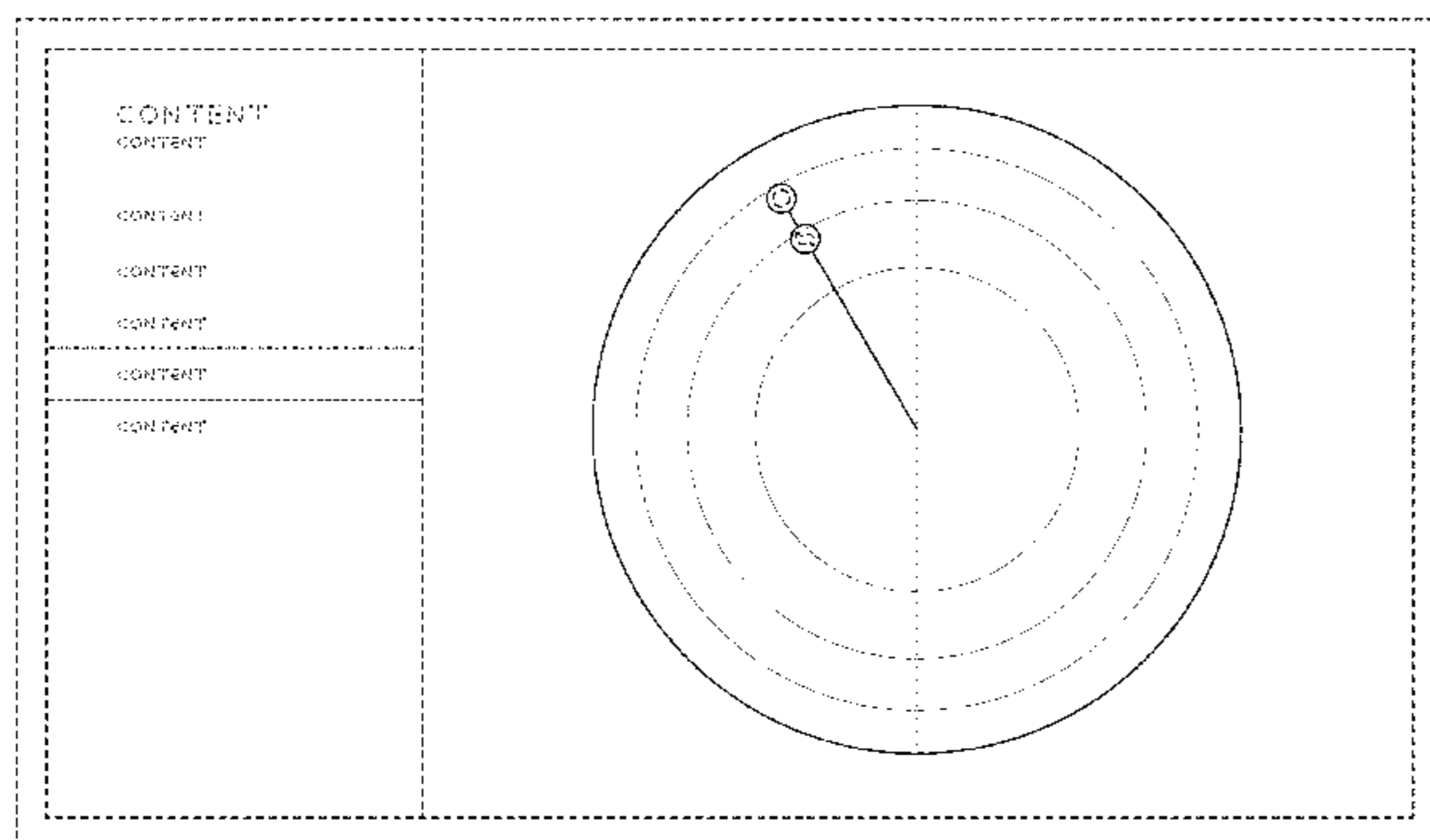
The ornamental design for a display screen with graphical user interface, as shown and described.

**DESCRIPTION**

FIG. 1 is the first image in a sequence for a display screen with graphical user interface showing our new design; FIG. 2 is the second image thereof; FIG. 3 is the third image thereof; FIG. 4 is the fourth image thereof; FIG. 5 is the fifth image thereof; FIG. 6 is the sixth image thereof; FIG. 7 is the seventh image thereof; FIG. 8 is the eighth image thereof; and, FIG. 9 is the ninth image thereof.

The appearance of the animated graphical user interface sequentially transitions between the images shown in FIGS. 1-9. The process or period in which one image transitions to another forms no part of the claimed design. The even-length broken line showing of the remainder of the user interface and the remainder of the display screen are for environmental purposes only and form no part of the claimed design.

**1 Claim, 9 Drawing Sheets**



(56)

References Cited

U.S. PATENT DOCUMENTS

D647,914 S \* 11/2011 Brouwers ..... D14/486  
 D670,733 S 11/2012 Guss et al.  
 D675,221 S 1/2013 Impas et al.  
 D676,865 S 2/2013 Phelan  
 D677,270 S 3/2013 Wen et al.  
 D677,690 S 3/2013 Phelan  
 D679,730 S 4/2013 Tyler et al.  
 D681,663 S 5/2013 Phelan et al.  
 D684,184 S \* 6/2013 Tanghe ..... D14/489  
 D684,587 S \* 6/2013 Plesnicher ..... D14/486  
 D685,391 S \* 7/2013 Blissenbach ..... D14/492  
 D693,831 S \* 11/2013 Edwards ..... D14/485  
 D697,076 S \* 1/2014 Oda ..... D14/486  
 D697,080 S \* 1/2014 Scholz ..... D14/489  
 D699,248 S 2/2014 Pearson  
 D699,737 S 2/2014 Pearson  
 D699,750 S \* 2/2014 Pearson ..... D14/488  
 D700,197 S \* 2/2014 Akcasu ..... D14/486  
 D702,253 S 4/2014 Kotler  
 D704,203 S 5/2014 Pearson  
 D706,791 S 6/2014 Sassoon  
 D712,911 S 9/2014 Pearson  
 D715,313 S \* 10/2014 Hontz, Jr. .... D14/485  
 D716,316 S \* 10/2014 Behzadi ..... D14/485  
 D716,325 S \* 10/2014 Brudnicki ..... D14/486  
 D716,832 S \* 11/2014 Schoger ..... D14/486  
 D721,088 S 1/2015 Barling  
 D721,091 S 1/2015 Barling et al.  
 D725,133 S \* 3/2015 Smirin ..... G06F 3/04817  
 D728,616 S \* 5/2015 Gomez ..... D14/491  
 D729,819 S 5/2015 Beaty  
 D731,523 S 6/2015 Frew et al.  
 D736,822 S 8/2015 Tursi et al.  
 D737,849 S 9/2015 Tursi et al.  
 D738,893 S 9/2015 Impas et al.  
 D740,301 S \* 10/2015 Soegiono ..... G06F 3/04817  
 D743,412 S \* 11/2015 Danielyan ..... D14/485  
 D746,301 S 12/2015 Bickel  
 D747,333 S 1/2016 Supino et al.  
 D747,352 S \* 1/2016 Lee ..... D14/492  
 D749,093 S 2/2016 Lee et al.  
 D751,606 S \* 3/2016 Yu ..... G06F 3/04817  
 D14/494

D753,670 S \* 4/2016 Tian ..... D14/485  
 D753,712 S \* 4/2016 Lee ..... G06F 3/04817  
 D14/489  
 D755,830 S 5/2016 Chaudhri et al.  
 D757,772 S 5/2016 Jin  
 D758,403 S \* 6/2016 Lee ..... D14/486  
 D759,684 S \* 6/2016 Bijlani ..... D14/486  
 D760,790 S \* 7/2016 Ishii ..... G06F 3/04817  
 D14/494  
 D761,840 S \* 7/2016 Patterson ..... D14/488  
 D762,665 S \* 8/2016 Lee ..... D14/485  
 D763,865 S \* 8/2016 Zhu ..... D14/485  
 D764,516 S \* 8/2016 Lamparelli ..... D14/486  
 D765,672 S \* 9/2016 Raff ..... D14/485  
 D765,681 S \* 9/2016 Nagel ..... D14/486  
 2010/0229130 A1 \* 9/2010 Edge ..... G06F 3/04883  
 715/863  
 2012/0069131 A1 \* 3/2012 Abelow ..... G06Q 10/067  
 348/14.01  
 2012/0226994 A1 \* 9/2012 Lee ..... H04N 21/4126  
 715/746  
 2014/0181650 A1 6/2014 Polubinski  
 2014/0349750 A1 \* 11/2014 Thompson ..... A63F 13/12  
 463/31  
 2016/0062568 A1 3/2016 Takiguchi et al.  
 2016/0085410 A1 3/2016 Kwon et al.  
 2016/0110064 A1 4/2016 Shapira

OTHER PUBLICATIONS

Alex, Xbox One Elite Controller vs Scuf One, Oct. 28, 2015, youtube.com [online], [site visited Oct. 24, 2016]. Available from Internet: <<https://www.youtube.com/watch?v=0PmbgDpRNHQ>>.\*  
 “Elements Design: Thin Round Icons”, posted at okilla.com, Mar. 21, 2015, [site visited Jun. 3, 2016]. Available from Internet: <<https://web.archive.org/web/20150321220222/http://www.okilla.com/1006/resource-thin-round-icons-psd>>.  
 Patowary, Kaushik, “2800+ Metro Tiles/Icons for Windows 8 Start Screen”, posted at instanffundas.com, Nov. 15, 2012 [site visited Jun. 3, 2016]. Available from Internet: <http://www.instanffundas.com/2012/11/2800-metro-tilesicon-for-windows-8.html>.  
 Cafazza, John, “Cir•Cu•Lar Icons”, posted at dribbble.com, Apr. 17, 2014, [site visited Jun. 3, 2016]. Available from Internet: <<https://dribbble.com/shots/1514135-Cir-Cu-Lar-Icons>>.  
 Jul. 18, 2016—(US) Notice of Allowance—U.S. Appl. No. 29/546,628, filed Nov. 24, 2015; Inv.: Telman Dzijind.

\* cited by examiner

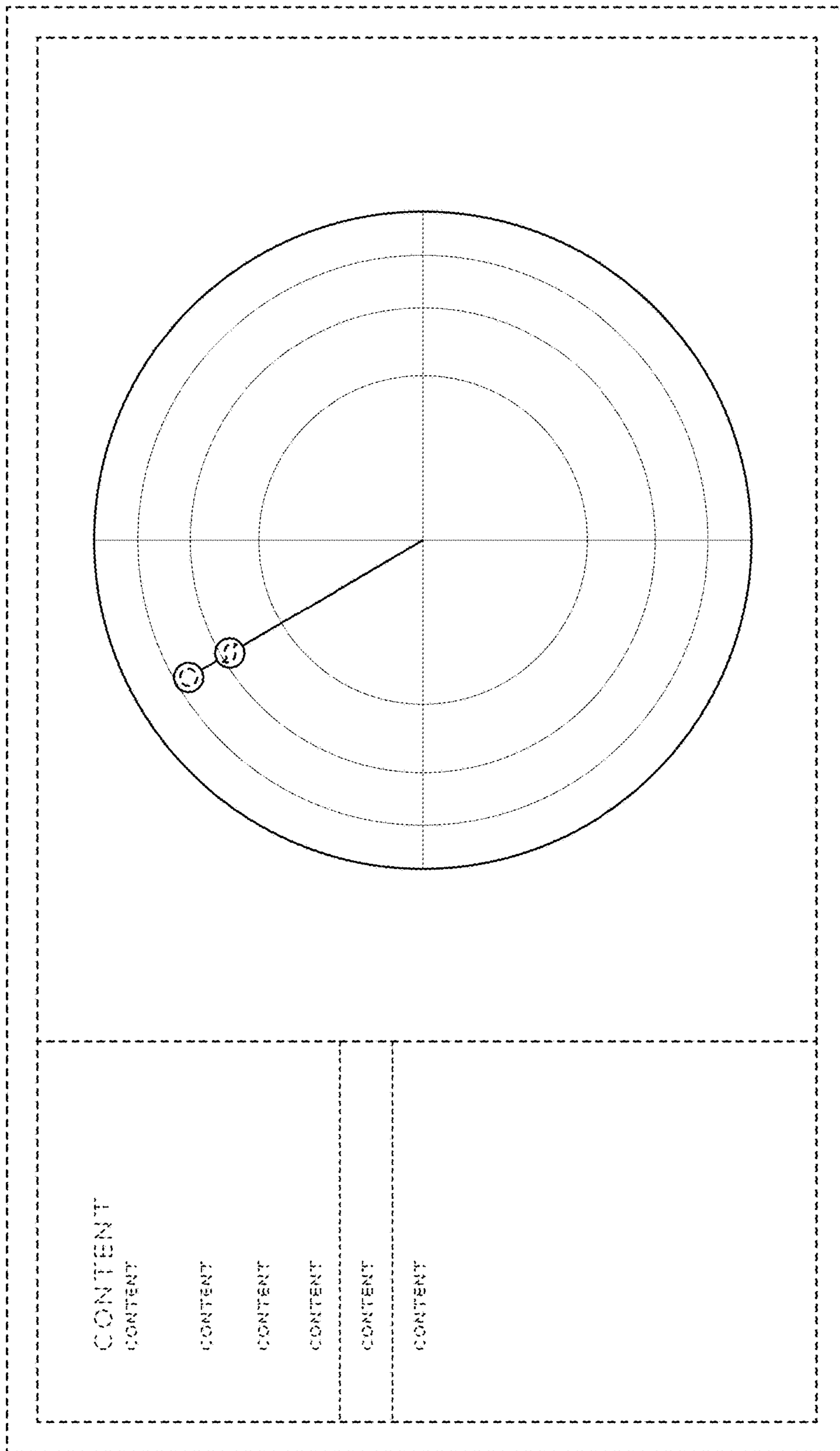


FIG. 1

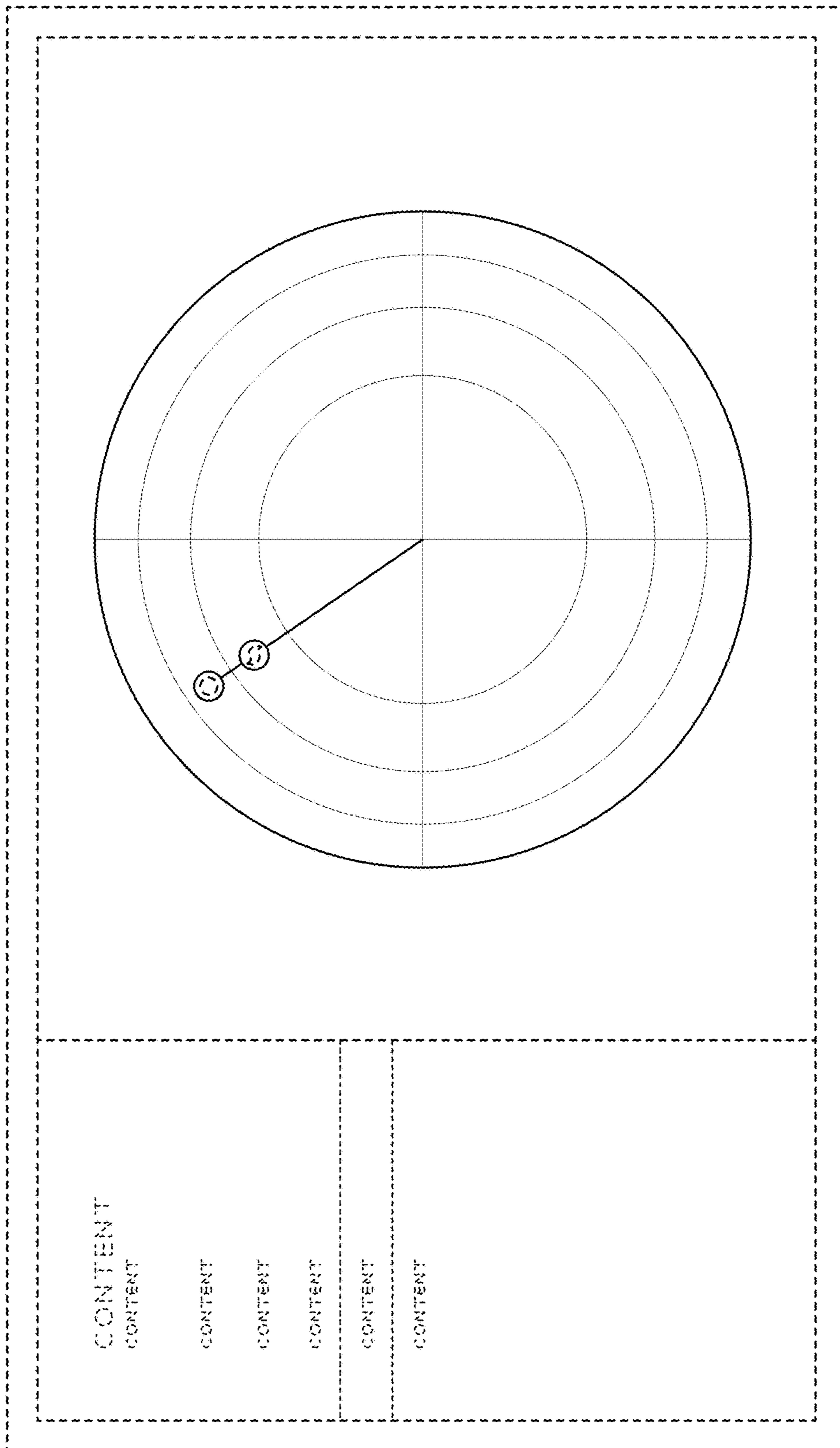


FIG. 2

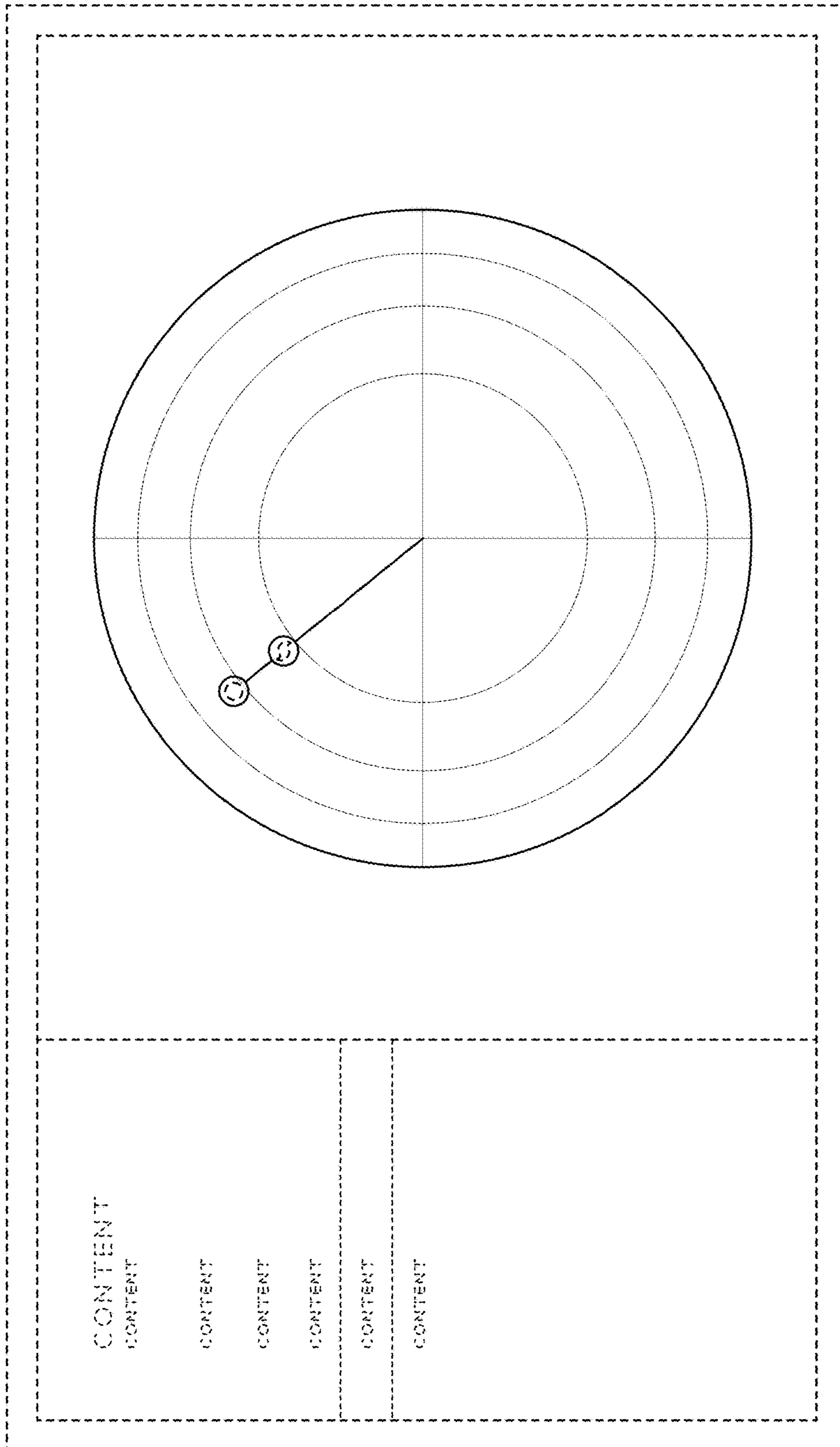


FIG. 3

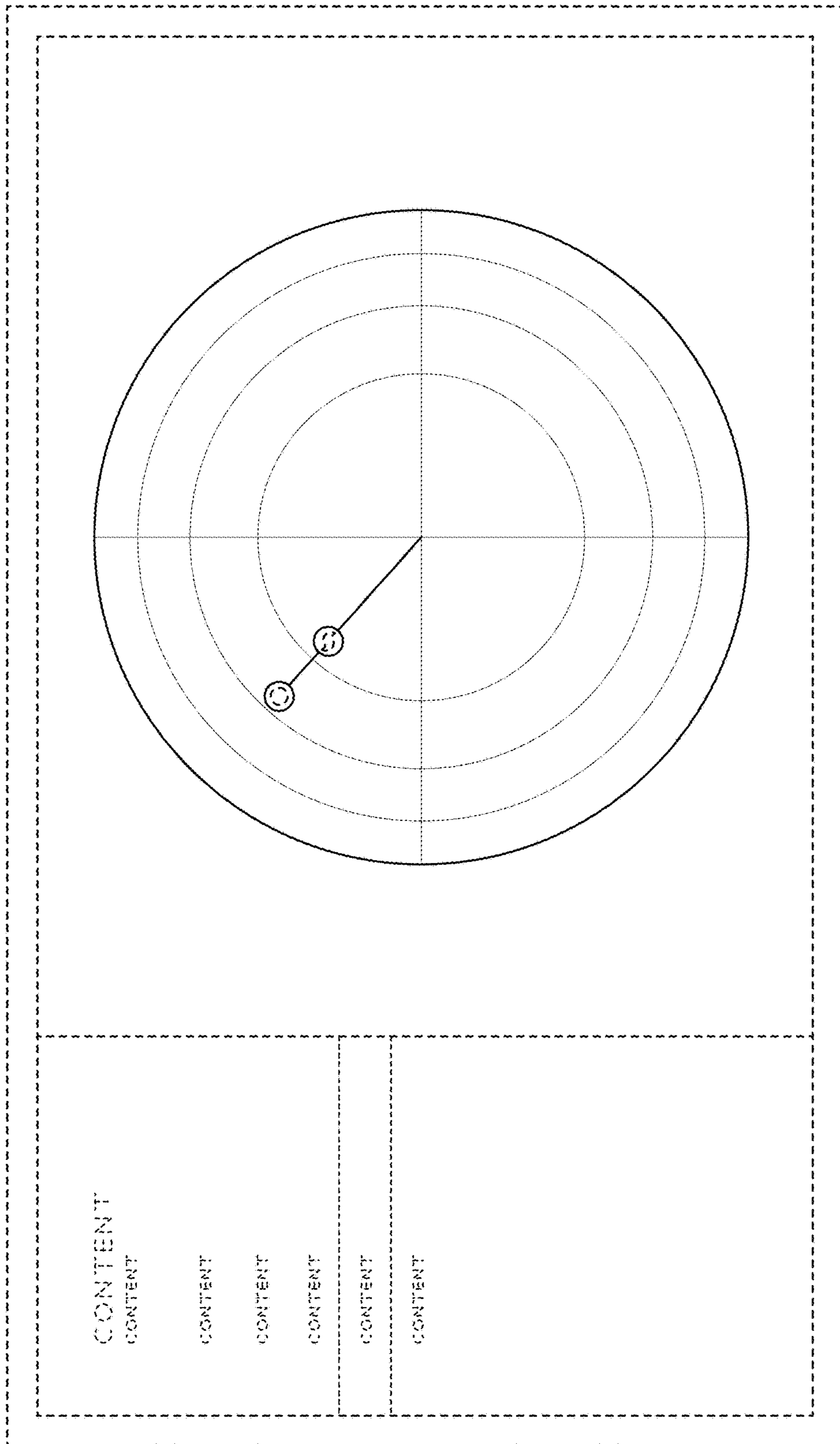


FIG. 4

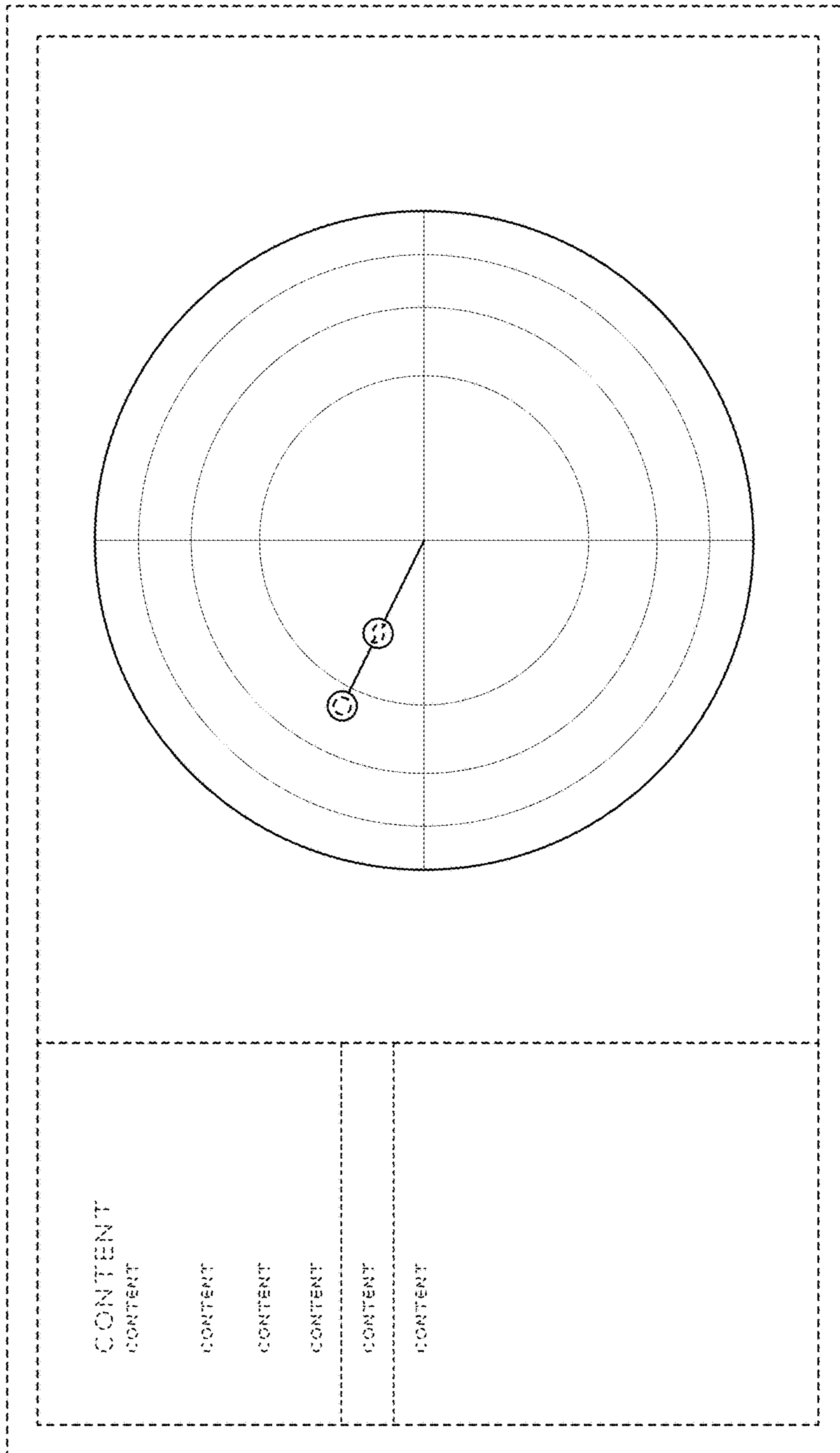


FIG. 5

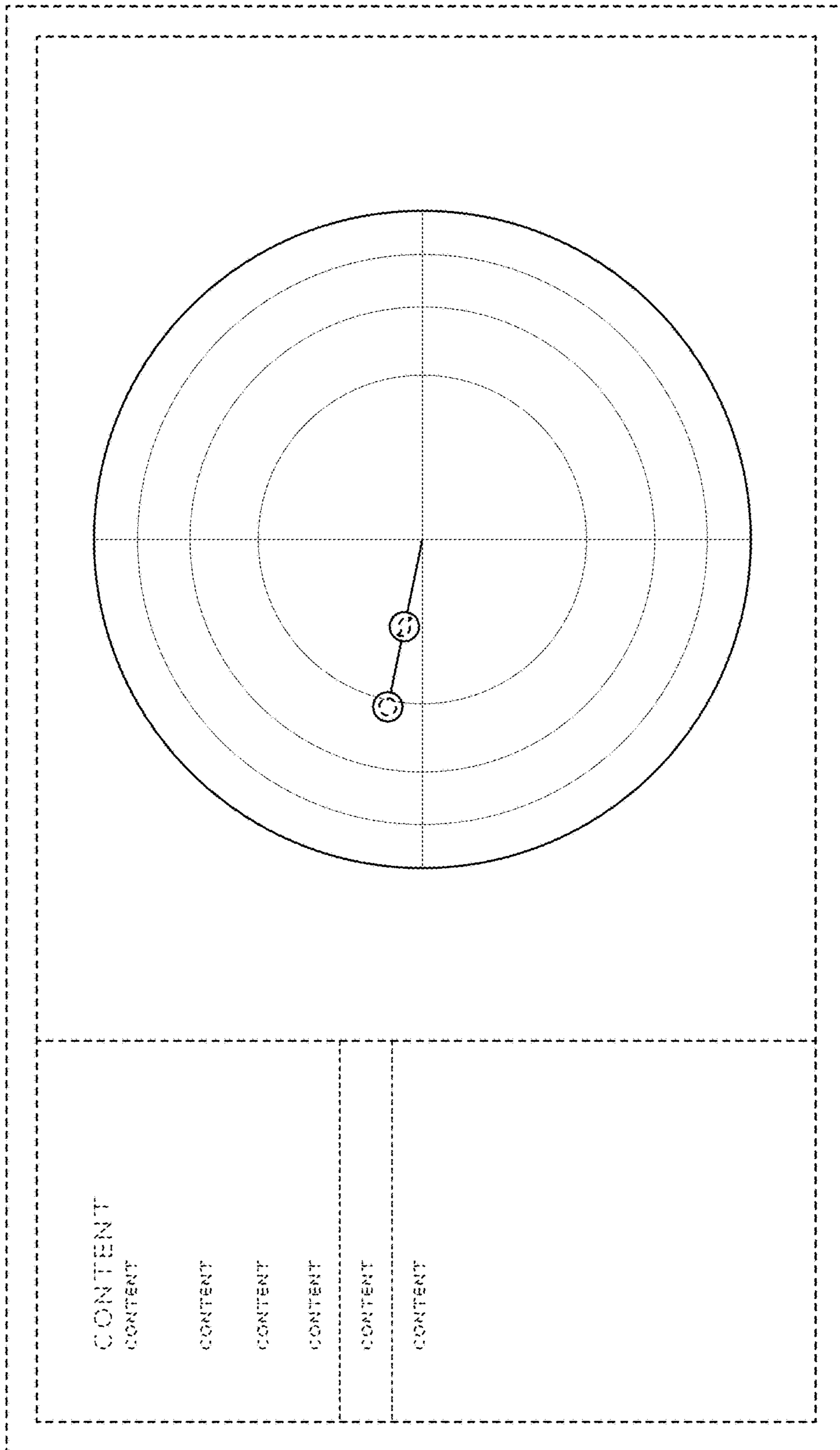


FIG. 6



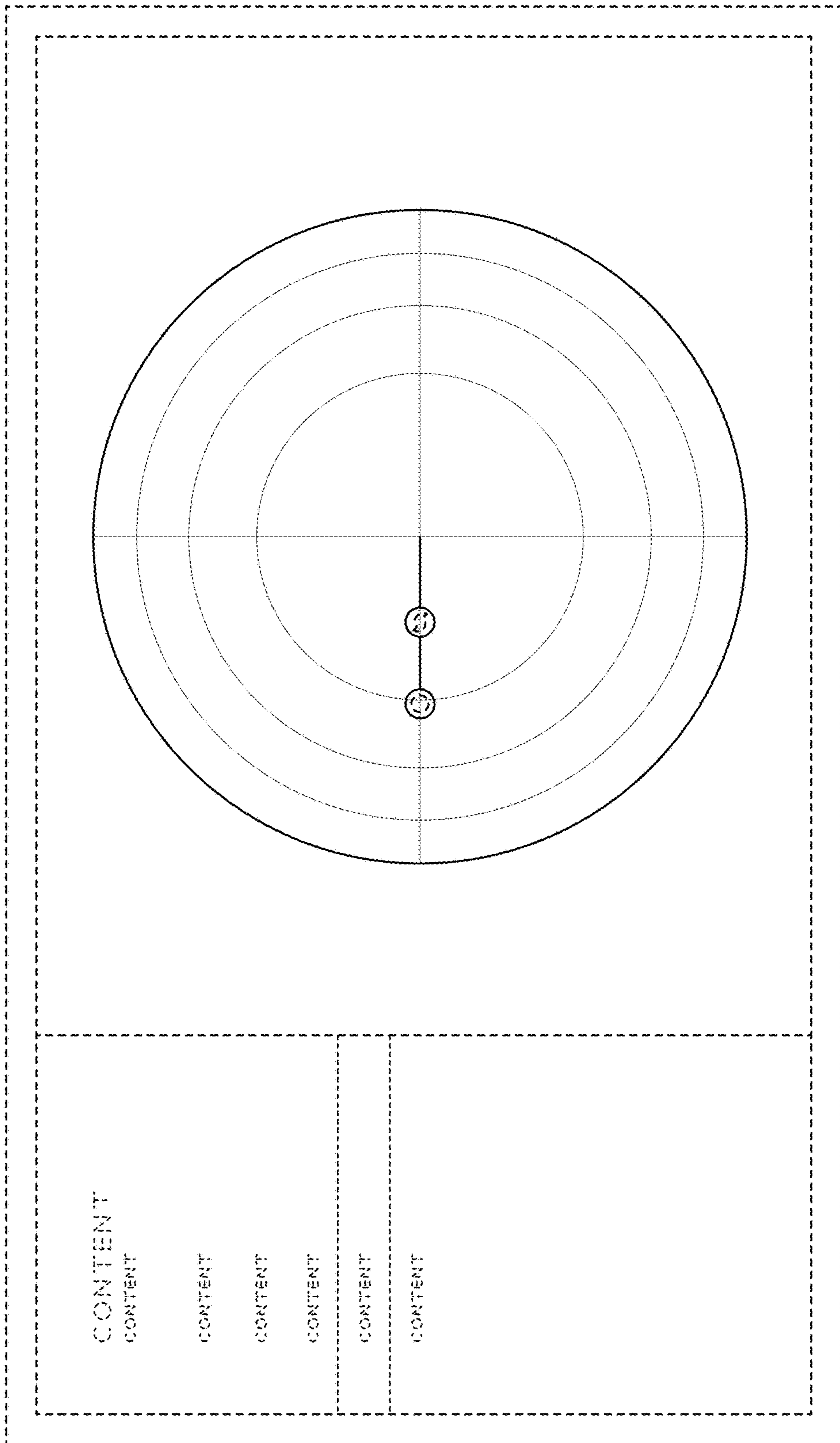


FIG. 7

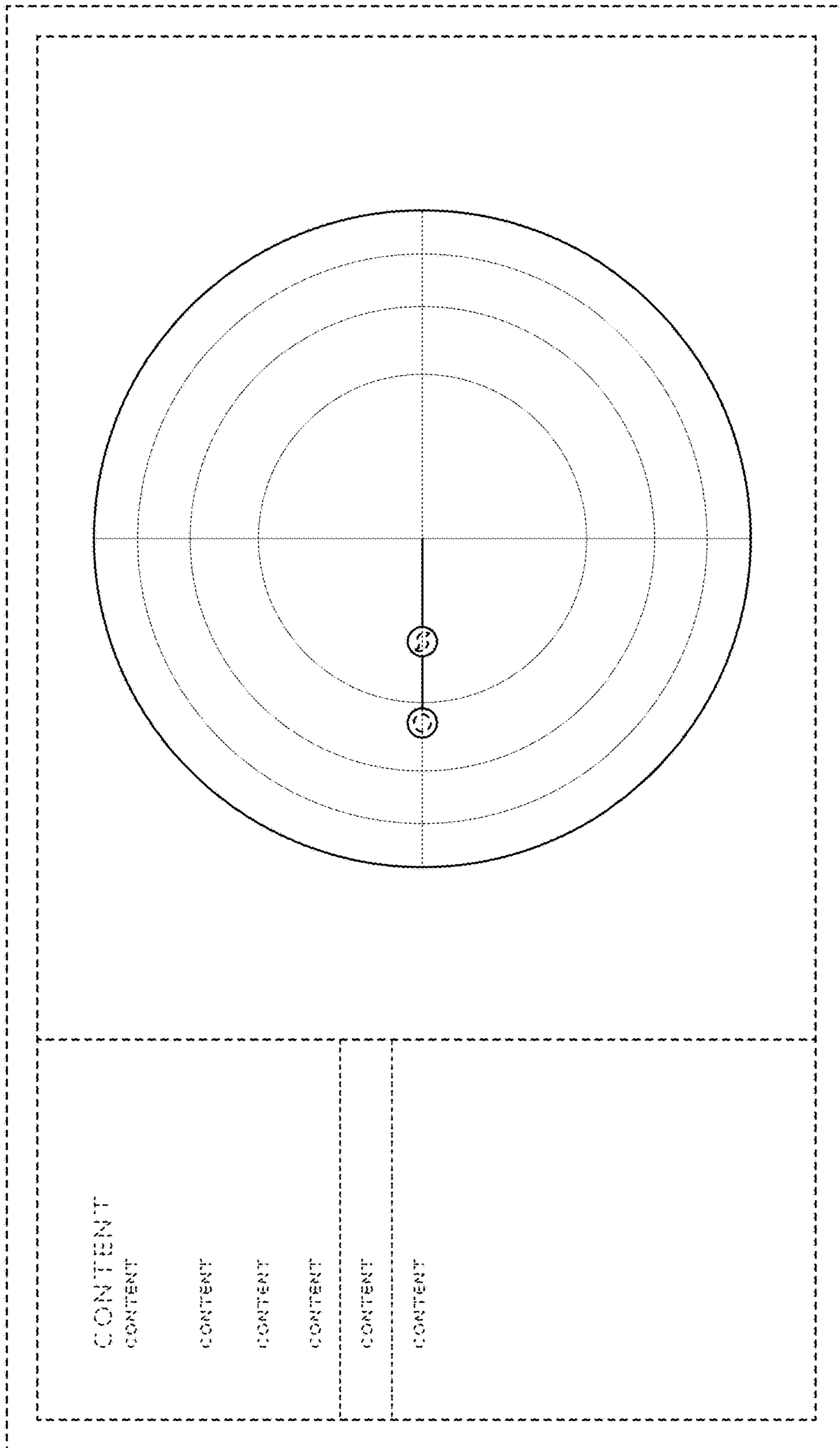


FIG. 8

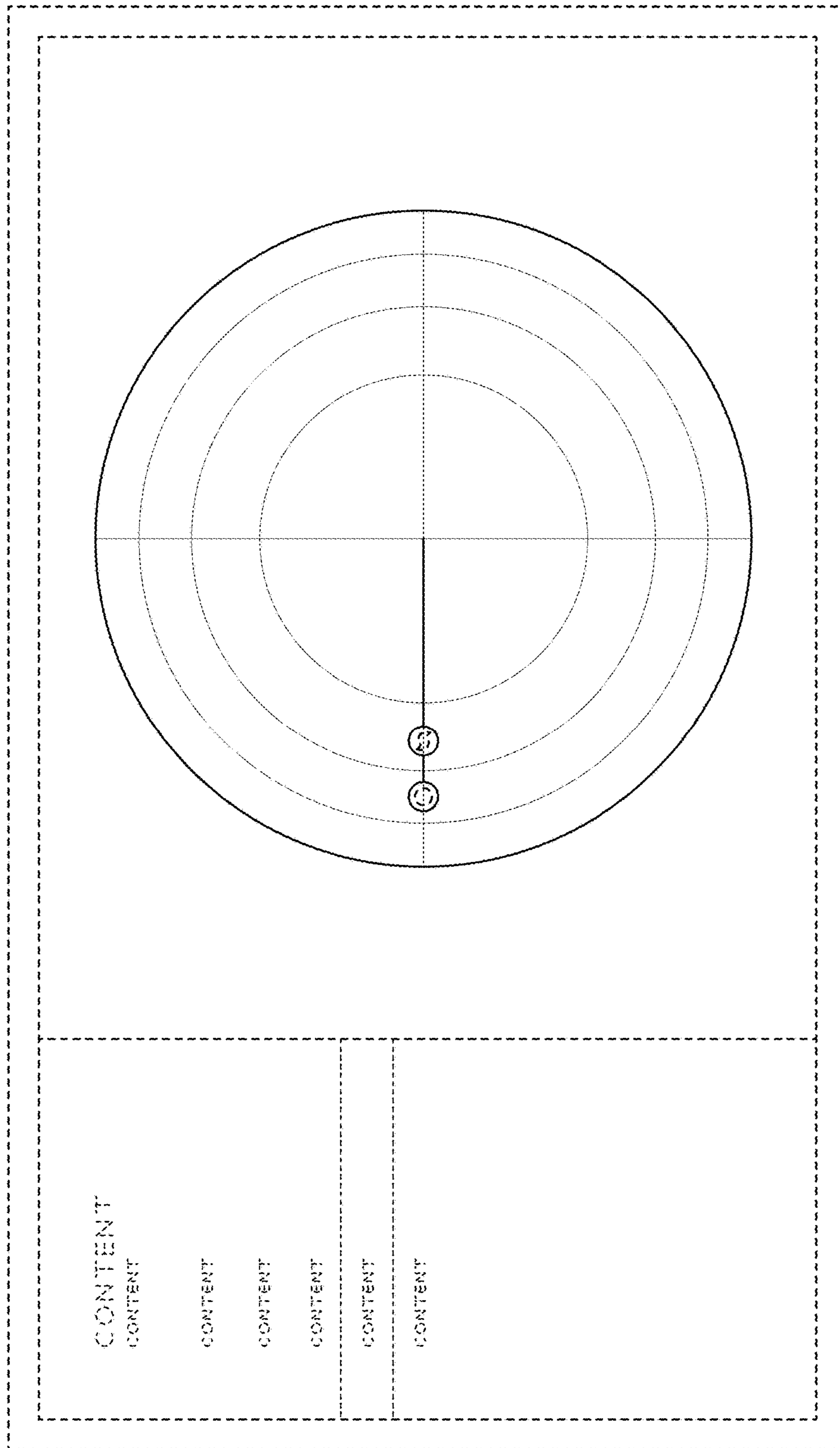


FIG. 9