



US00D783025S

(12) **United States Design Patent**
Nielson

(10) **Patent No.:** **US D783,025 S**

(45) **Date of Patent:** **** Apr. 4, 2017**

(54) **WRITING INSTRUMENT WITH USB CONNECTOR**

(71) Applicant: **Thomas Aten Nielson**, Springville, UT (US)

(72) Inventor: **Thomas Aten Nielson**, Springville, UT (US)

(**) Term: **15 Years**

(21) Appl. No.: **29/545,446**

(22) Filed: **Nov. 12, 2015**

(51) **LOC (10) Cl.** **14-99**

(52) **U.S. Cl.**
USPC **D14/480.3**; D19/123

(58) **Field of Classification Search**
USPC D9/504, 529; D14/411, 431, 480.3, 264, D14/342, 432; D19/115-204
CPC . B43K 5/005; B43K 7/00; B43K 7/12; B43K 8/04; B43K 8/06; B43K 19/00; B43K 19/02; B43K 19/14; B43K 24/08; B43K 24/084

See application file for complete search history.

(56) **References Cited**

U.S. PATENT DOCUMENTS

D29,985 S *	1/1899	Allerton	D8/28
1,942,283 A *	1/1934	Hale	B43K 29/02
				15/105.51
D142,330 S *	8/1945	Trollen	D19/122
2,864,367 A *	12/1958	Mende	A61M 3/00
				222/212
3,085,280 A *	4/1963	Cline	B43K 8/003
				15/104.94
3,961,852 A *	6/1976	Parry	B43K 25/00
				401/195
4,115,669 A *	9/1978	Cali	H01H 3/04
				16/429
D267,654 S *	1/1983	Nadel	D19/163

D276,479 S *	11/1984	Mori	401/131
D300,087 S *	3/1989	Henderson	401/195
4,974,982 A	12/1990	Nielson		
D346,619 S *	5/1994	Ho	401/195

(Continued)

OTHER PUBLICATIONS

Mini Brass Pen (Black Ink)—Penex—Touch of Modern at <https://www.touchofmodern.com/sales/penex-ded93511-de79-4280-94e2-8af7aa0d60c8/mini-brass-pen-c9e47b00-1e1a-476c-94e8-f287c7c81bd3>, accessed Feb. 12, 2016.

Primary Examiner — Elizabeth Albert

(74) *Attorney, Agent, or Firm* — Durham Jones & Pinegar, P.C. Intellectual Property Law Group

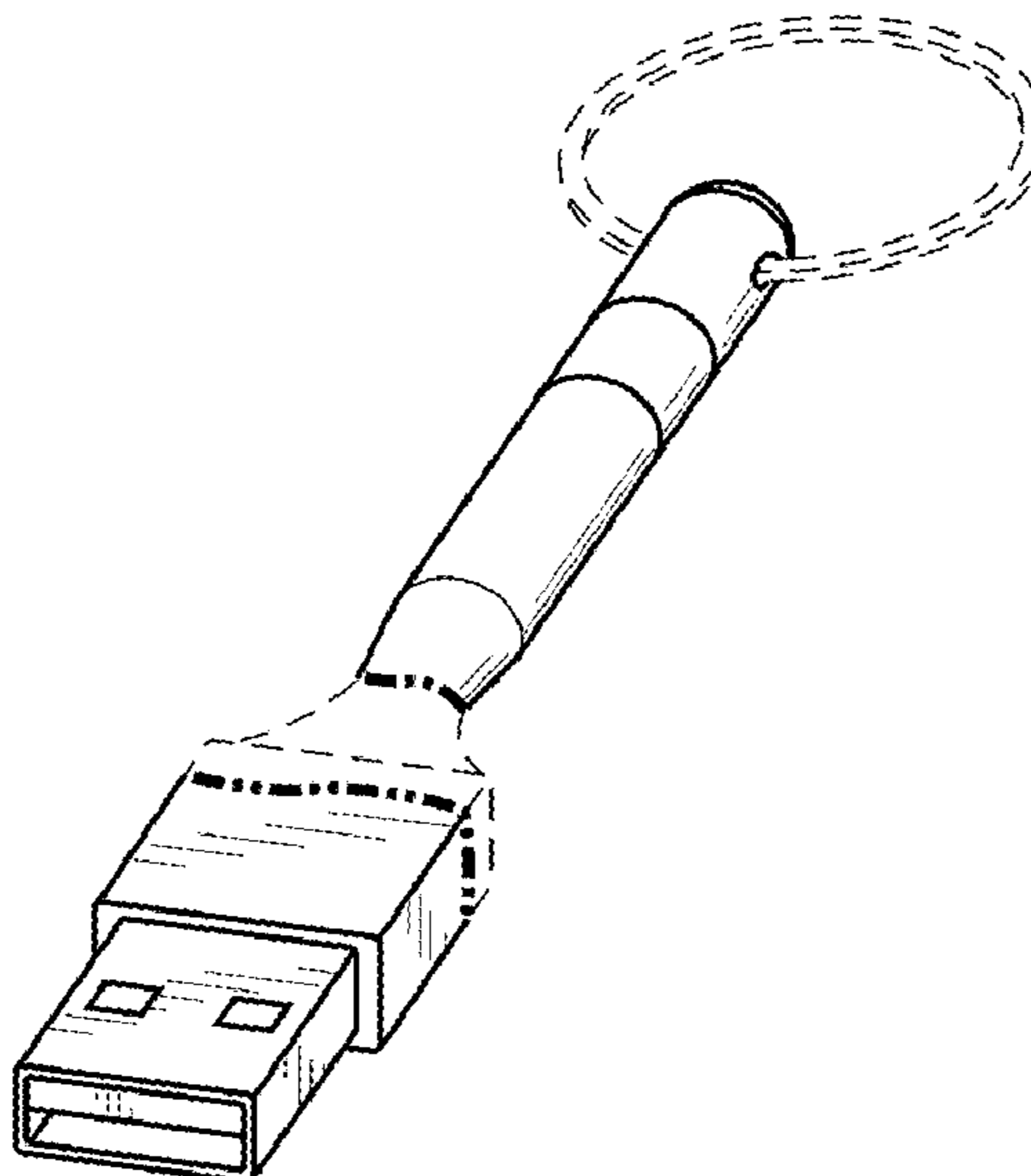
(57) **CLAIM**

The ornamental design for a writing instrument with USB connector, as shown and described.

DESCRIPTION

FIG. 1 is a top front perspective view of a writing instrument with USB connector showing my new design; FIG. 2 is a top view of FIG. 1; FIG. 3 is a first side view of FIG. 1; FIG. 4 is a bottom view of FIG. 1; FIG. 5 is a second side view of FIG. 1; FIG. 6 is a rear view of FIG. 1; FIG. 7 is a front view of FIG. 1; FIG. 8 is a top view thereof with the cap removed; and, FIG. 9 is a rear perspective view with the cap attached. The evenly spaced broken lines in the drawings are included to illustrate features that form no part of the claimed design. The long-short-short broken lines that define the bounds of the claimed design form no part thereof.

1 Claim, 3 Drawing Sheets



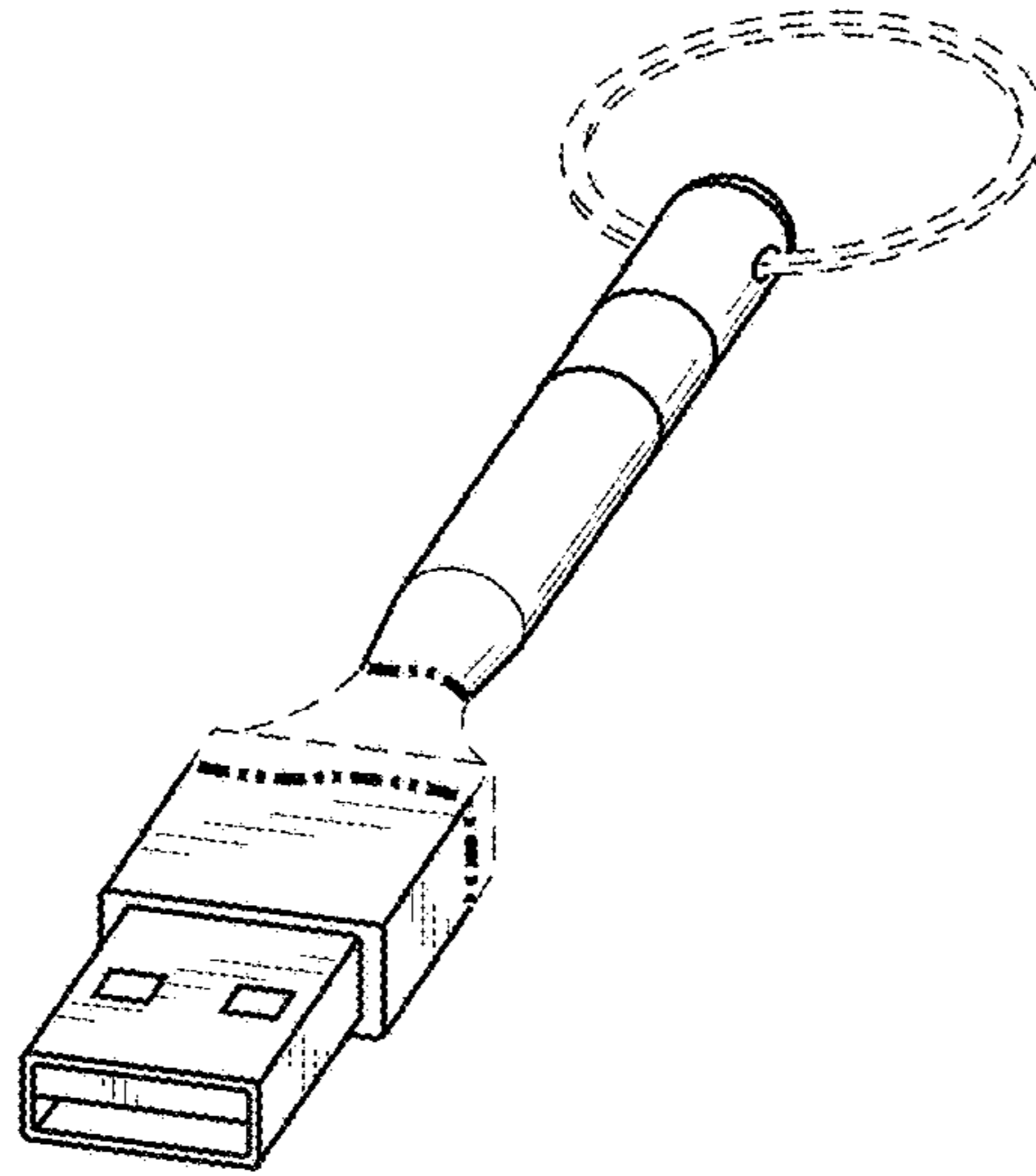


FIG. 1

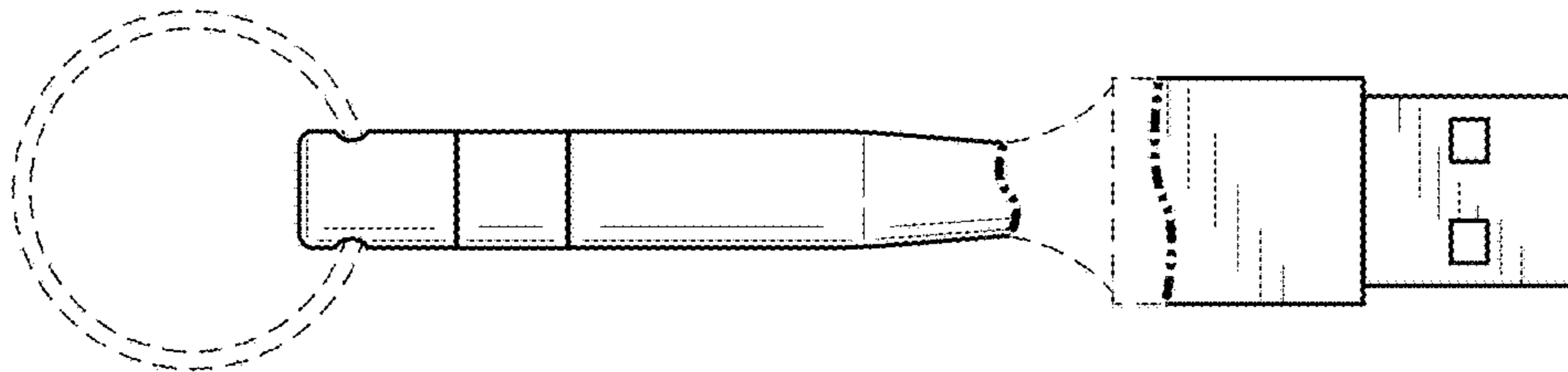


FIG. 2



FIG. 3

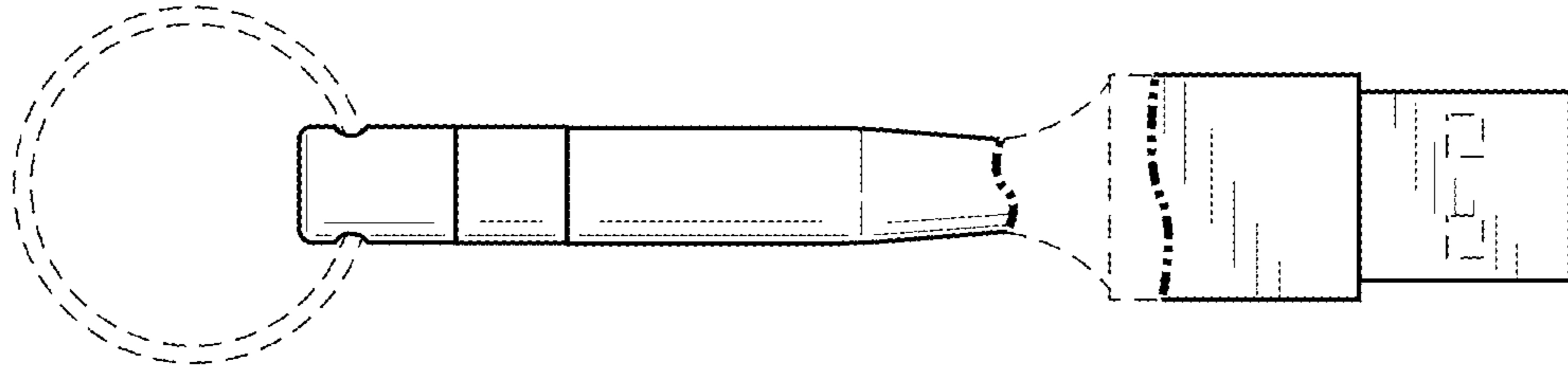


FIG. 4



FIG. 5



FIG. 6

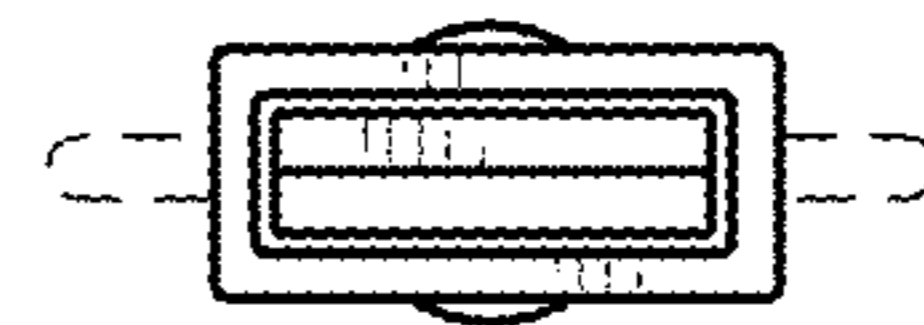


FIG. 7

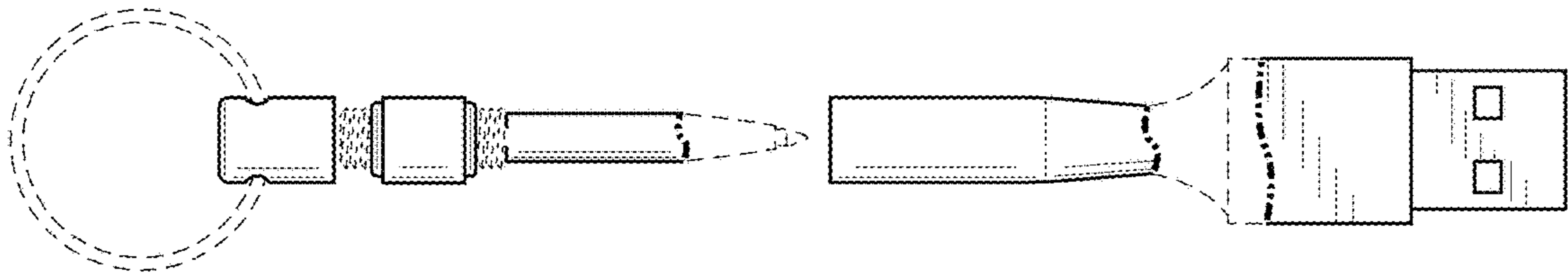


FIG. 8

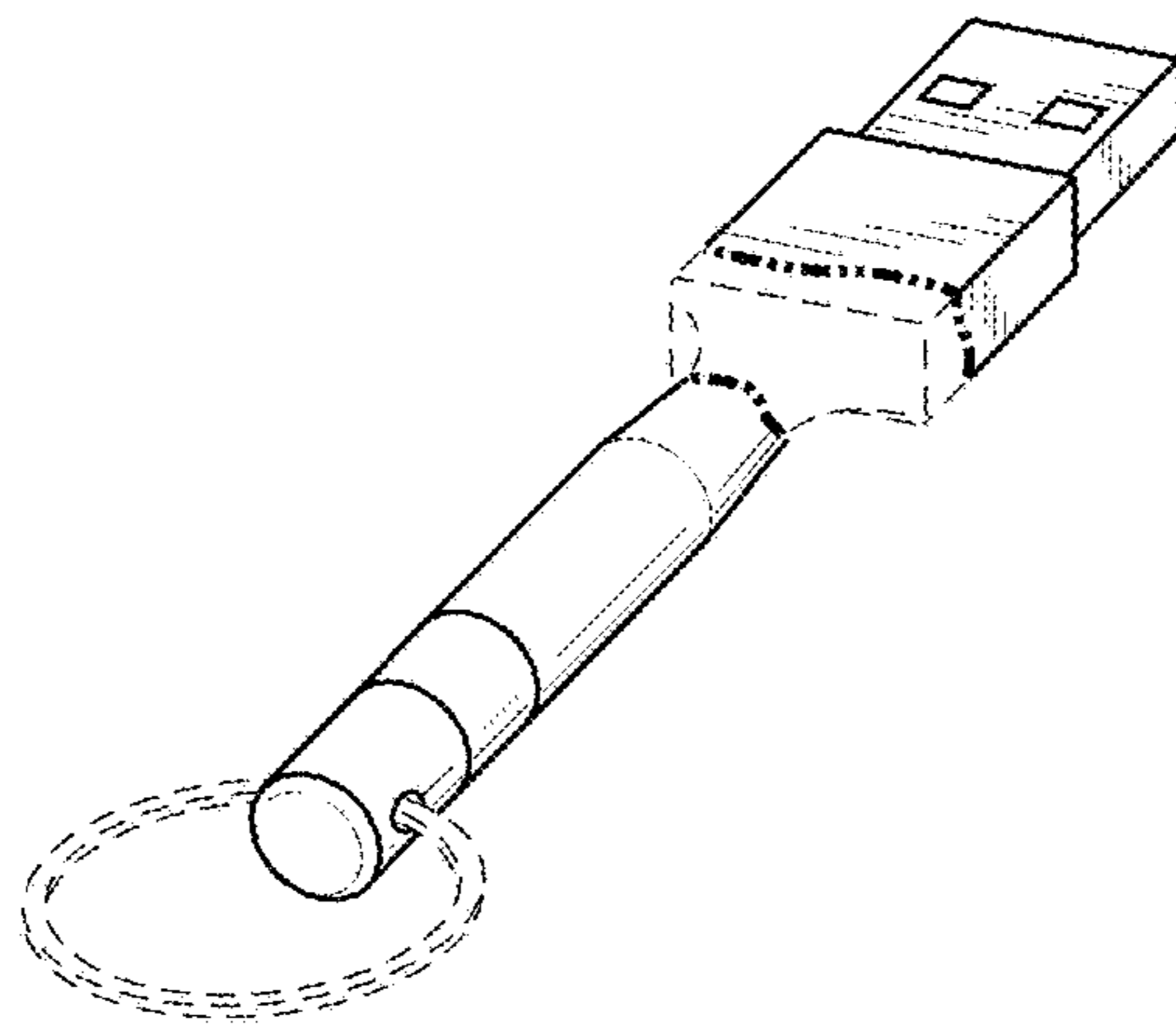


FIG. 9