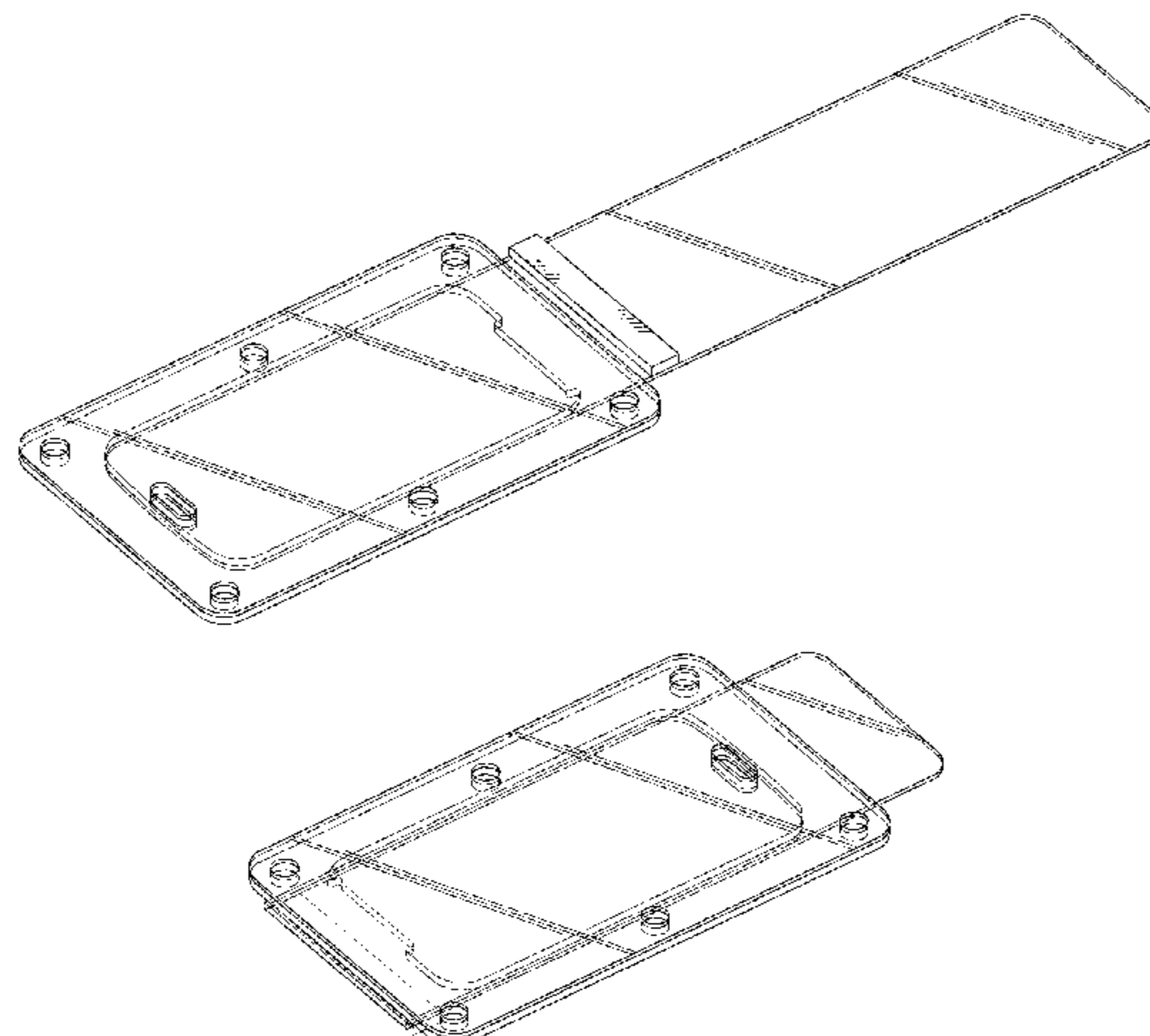




US00D783024S

(12) **United States Design Patent** (10) **Patent No.:** **US D783,024 S**
Conley et al. (45) **Date of Patent:** **** Apr. 4, 2017**

- (54) **OVERLAY**
- (71) Applicant: **Belkin International, Inc.**, Playa Vista, CA (US)
- (72) Inventors: **William P. Conley**, Long Beach, CA (US); **Justin Jakobson**, Venice, CA (US); **John F. Wadsworth**, Burbank, CA (US)
- (73) Assignee: **Belkin International Inc.**, Playa Vista, CA (US)
- (**) Term: **15 Years**
- (21) Appl. No.: **29/557,987**
- (22) Filed: **Mar. 14, 2016**
- Related U.S. Application Data**
- (62) Division of application No. 29/477,414, filed on Dec. 20, 2013, now Pat. No. Des. 751,556.
- (51) **LOC (10) Cl.** **14-02**
- (52) **U.S. Cl.**
USPC **D14/432**
- (58) **Field of Classification Search**
USPC D14/316-319, 432-439, 442, 451-454, D14/496, 495, 391, 385, 367, 356; D8/331, 330; D18/50, 4.6, 4.5; 439/630, 439/635, 639, 160; 360/2; 235/492, 486, 235/479, 380
CPC G06F 1/1643; G06F 1/169; H04B 1/3888
See application file for complete search history.
- (56) **References Cited**
- U.S. PATENT DOCUMENTS
- | | | | | | |
|--------------|---------|----------------|-----------------|---------|--------------------------|
| D305,648 S | 1/1990 | Edington | 7,697,827 B2 | 4/2010 | Konicek |
| 5,069,732 A | 12/1991 | Levine | 7,957,524 B2 | 6/2011 | Chipping |
| 5,680,709 A | 10/1997 | Stone | 7,966,861 B2 | 6/2011 | Yee et al. |
| 6,406,758 B1 | 6/2002 | Bottari et al. | 8,047,365 B1 | 11/2011 | Lin |
| 7,084,859 B1 | 8/2006 | Pryor | D651,214 S | 12/2011 | Yoo et al. |
| D598,024 S | 8/2009 | Scott et al. | D665,809 S | 8/2012 | Wang et al. |
| D601,959 S | 10/2009 | Lee | 8,369,072 B1 | 2/2013 | Alonzo et al. |
| D601,960 S | 10/2009 | Dai | 8,393,377 B2 | 3/2013 | Patel et al. |
| | | | 8,517,367 B1 | 8/2013 | Napier |
| | | | D690,704 S | 10/2013 | Padilla et al. |
| | | | 8,564,538 B2 | 10/2013 | Wadsworth |
| | | | D707,217 S | 6/2014 | Toulotte |
| | | | D710,843 S | 8/2014 | Akana |
| | | | D714,053 S | 9/2014 | Yoo |
| | | | D715,301 S | 10/2014 | Ashcraft et al. |
| | | | D720,353 S | 12/2014 | Nakamura |
| | | | D721,359 S | 1/2015 | Kim |
| | | | D729,235 S | 5/2015 | Nagao et al. |
| | | | 9,089,085 B2 * | 7/2015 | Patel B29C 63/0004 |
| | | | 9,159,260 B2 | 10/2015 | Oh |
| | | | D751,556 S * | 3/2016 | Conley D14/432 |
| | | | D751,557 S * | 3/2016 | Lane D14/432 |
| | | | D759,640 S * | 6/2016 | Wadsworth D14/250 |
| | | | 2002/0054030 A1 | 5/2002 | Murphy |
| | | | 2004/0109096 A1 | 6/2004 | Anderson et al. |
| | | | 2004/0246386 A1 | 12/2004 | Thomas et al. |
| | | | 2005/0030296 A1 | 2/2005 | Stohrer et al. |
| | | | 2005/0164148 A1 | 7/2005 | Sinclair |
| | | | 2007/0013662 A1 | 1/2007 | Fauth |
| | | | 2007/0058990 A1 | 3/2007 | Weaver et al. |
| | | | 2007/0115621 A1 | 5/2007 | Guillen |
| | | | 2007/0229962 A1 | 10/2007 | Mason, Jr. |
| | | | 2007/0247793 A1 | 10/2007 | Carnevali |
| | | | 2007/0293282 A1 | 12/2007 | Lewis et al. |
| | | | 2009/0186181 A1 | 7/2009 | Mase |
| | | | 2009/0314400 A1 | 12/2009 | Liu |
| | | | 2010/0309152 A1 | 12/2010 | Kusuda et al. |
| | | | 2011/0206887 A1 | 8/2011 | Kim |
| | | | 2011/0267793 A1 | 11/2011 | Cohen |
| | | | 2011/0279383 A1 | 11/2011 | Wilson et al. |
| | | | 2011/0309608 A1 | 12/2011 | Flynn et al. |
| | | | 2012/0043015 A1 | 2/2012 | Feller |
| | | | 2012/0076967 A1 | 3/2012 | Muramatsu |
| | | | 2012/0087072 A1 | 4/2012 | McGuire et al. |
| | | | 2012/0110868 A1 | 5/2012 | Abbondanzio |
| | | | 2012/0183712 A1 | 7/2012 | Leonhard et al. |
| | | | 2012/0211168 A1 | 8/2012 | Patel et al. |
| | | | 2012/0268394 A1 | 10/2012 | Hsu et al. |
| | | | 2013/0020005 A1 | 1/2013 | Koblick et al. |
| | | | 2013/0040088 A1 | 2/2013 | Hirayama et al. |
| | | | 2013/0048203 A1 | 2/2013 | Yau et al. |
| | | | 2013/0156999 A1 | 6/2013 | Braesch et al. |
| | | | 2013/0184845 A1 | 7/2013 | Hales |



2013/0264235	A1	10/2013	Lin	
2014/0055927	A1	2/2014	Wang	
2015/0000831	A1	1/2015	Wang	
2015/0041069	A1*	2/2015	Wadsworth B29C 63/024 156/535
2015/0047773	A1*	2/2015	Wadsworth B29C 63/0047 156/182
2015/0107767	A1*	4/2015	Wadsworth B32B 37/0046 156/324

FOREIGN PATENT DOCUMENTS

CN	201456516	5/2010
CN	102632674	8/2012
CN	202623469	12/2012
CN	202896928	4/2013
CN	202967060	6/2013
EM	0024866540001	6/2004
EM	0024866540002	6/2004
EM	0024866540003	6/2004
EM	0024866540004	6/2004
EM	0024866540005	6/2004
EM	0024866540006	6/2004
EM	0024866540007	6/2004
EM	0024866540008	6/2004
EM	0024866960001	6/2004
EM	0024866960002	6/2004
EM	0024866960003	6/2004
EM	0024866960004	6/2004
EM	0024866960005	6/2004
EM	0024866960006	6/2004
EM	0024866960007	6/2004
EM	0024866960008	6/2004
EM	0024866960009	6/2004
EM	0024866960010	6/2004
EM	0024866960011	6/2004
EM	0024866960012	6/2004
EM	0024866960013	6/2004
EM	0024866960014	6/2004
EM	0024866960015	6/2004
EM	0024866960016	6/2004
EM	0024867120001	6/2004
EM	0024867120002	6/2004
EM	0024867120003	6/2004
EM	0024867120004	6/2004
EM	0024867120005	6/2004
EM	0024867120006	6/2004
EM	0024867120007	6/2004
EM	0024867120008	6/2004
EM	0024867120009	6/2004
EM	0024867120010	6/2004
EM	0024867120011	6/2004
EM	0024867120012	6/2004
EM	0024867120013	6/2004
EM	0024867120014	6/2004
EM	0024867120015	6/2004
EM	0024867120016	6/2004
JP	10199422	7/1998
JP	2002049327	2/2002
JP	2002057764	2/2002
JP	2003066419	3/2003
JP	2006145918	6/2006
JP	2006155452	6/2006
JP	3124275	8/2006
JP	3180690	12/2012
KR	200454225	6/2011
KR	101135144	4/2012
KR	101176316	8/2012
KR	1020130043720	5/2013
WO	2004005141	1/2004
WO	2005058705	6/2005
WO	2011163151	12/2011
WO	2012074802	6/2012

OTHER PUBLICATIONS

International Search Report and Written Opinion for PCT/US2014/071767 dated Apr. 24, 2015.

International Search Report and Written Opinion for PCT/US2014/060300 dated Jan. 27, 2015.
 AMZER—Kristal Screen Protectors—<http://www.amzer.com/kristal/>, Mar. 21, 2014.
 MyScreenPROTECTOR—<https://www.myscreenprotector.com/?Ing=3&view=cms&txt=about-my-screen-protector>, Mar. 21, 2014.
 PureGear—PureTek Roll-On Kit—<http://www.pure-gear.com/shop-by-category/screen/puretek-roll-on-kit-antibacterial-antiglare-anti-fingerprint.html>, Mar. 21, 2014.
 TYLT ALIN Perfect Alignment Screen Protection—<http://www.tytl.com/alin/>, Mar. 21, 2014.
 ZAGG Introduces invisibleSHIELD On Demand and invisible SHIELD GLASS at CES 2—<http://investors.zagg.com/releasedetail.cfm?ReleaseID=817526>, Mar. 21, 2014.
 International Search Report and Written Opinion for PCT/US2014/050420 dated Nov. 19, 2014.
 International Search Report and Written Opinion for PCT/US 09/61553, dated Dec. 17, 2009.
 Protrusion on “F” key of computer keyboard; 1 page; picture taken Oct. 20, 2008.
 Protrusion on “5” key of telephone; 1 page; picture taken Oct. 20, 2008.
 Systech Displays, Inc.; Home page; <http://www.systechdisplays.com/>; Oct. 21, 2008; 2 pages.

* cited by examiner

Primary Examiner — Austin Murphy
 (74) *Attorney, Agent, or Firm* — Bryan Cave LLP

(57) CLAIM

We claim the ornamental design for the overlay, substantially as shown and described.

DESCRIPTION

FIG. 1 is a top perspective view of an overlay, according to a first embodiment;
 FIG. 2 is a bottom perspective view of the overlay, according to the first embodiment;
 FIG. 3 is a top plan view of the overlay, according to the first embodiment;
 FIG. 4 is a side elevational view of the overlay, according to the first embodiment;
 FIG. 5 is an opposite side elevational view of the overlay, according to the first embodiment;
 FIG. 6 is a bottom plan view of the overlay, according to the first embodiment;
 FIG. 7 is a top perspective view of the overlay in a folded configuration, according to the first embodiment;
 FIG. 8 is a top perspective view of an overlay, according to a second embodiment;
 FIG. 9 is a bottom perspective view of the overlay, according to the second embodiment;
 FIG. 10 is a top plan view of the overlay, according to the second embodiment;
 FIG. 11 is a side elevational view of the overlay, according to the second embodiment;
 FIG. 12 is an opposite side elevational view of the overlay, according to the second embodiment;
 FIG. 13 is a bottom plan view of the overlay, according to the second embodiment; and,
 FIG. 14 is a top perspective view of the overlay in a folded configuration, according to the second embodiment.
 The evenly dashed broken lines of the various embodiments of the overlay are directed to environment and are for

illustrative purposes only; the evenly dashed broken lines form no part of the claimed design.

1 Claim, 6 Drawing Sheets

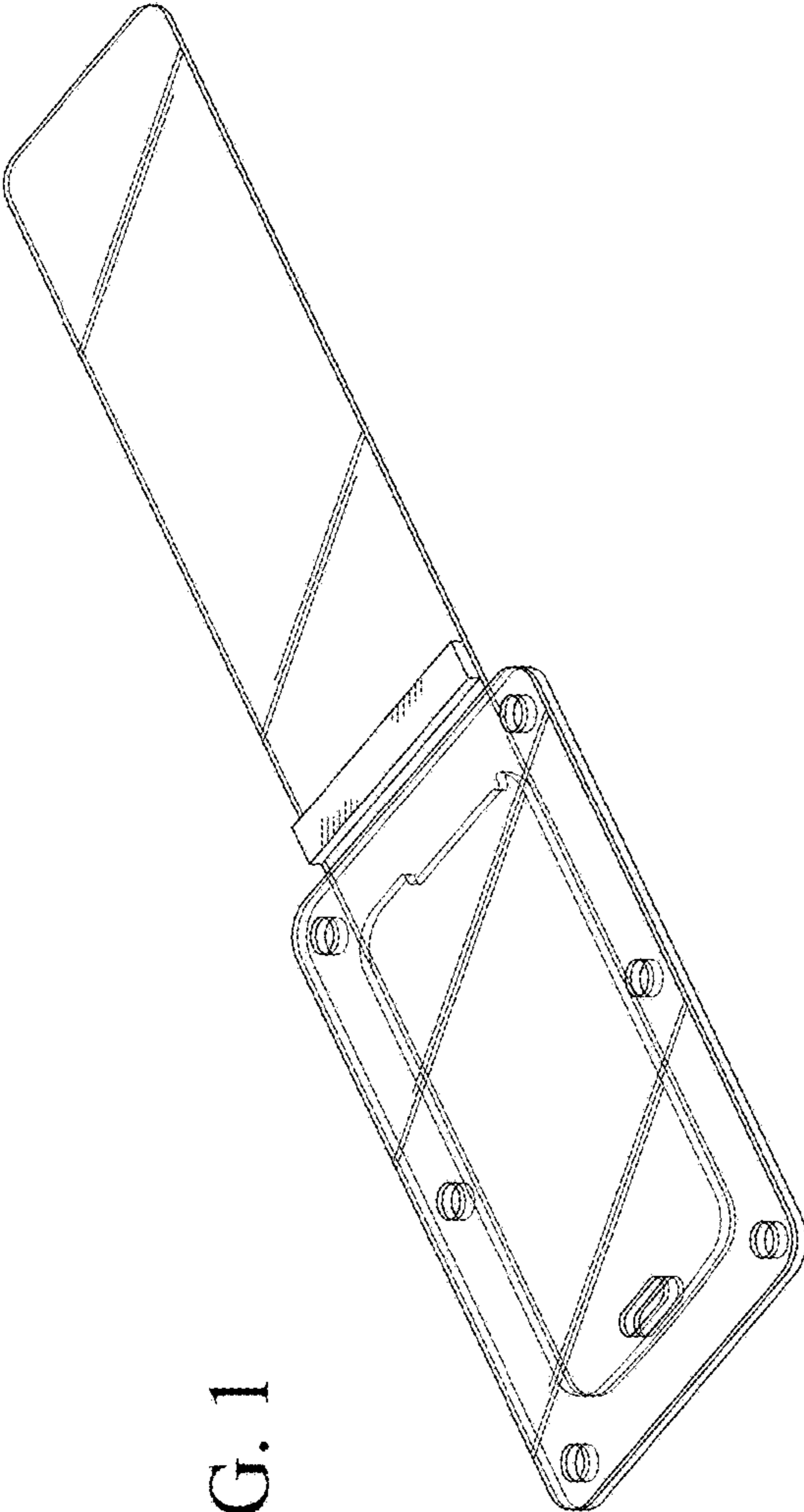


FIG. 1

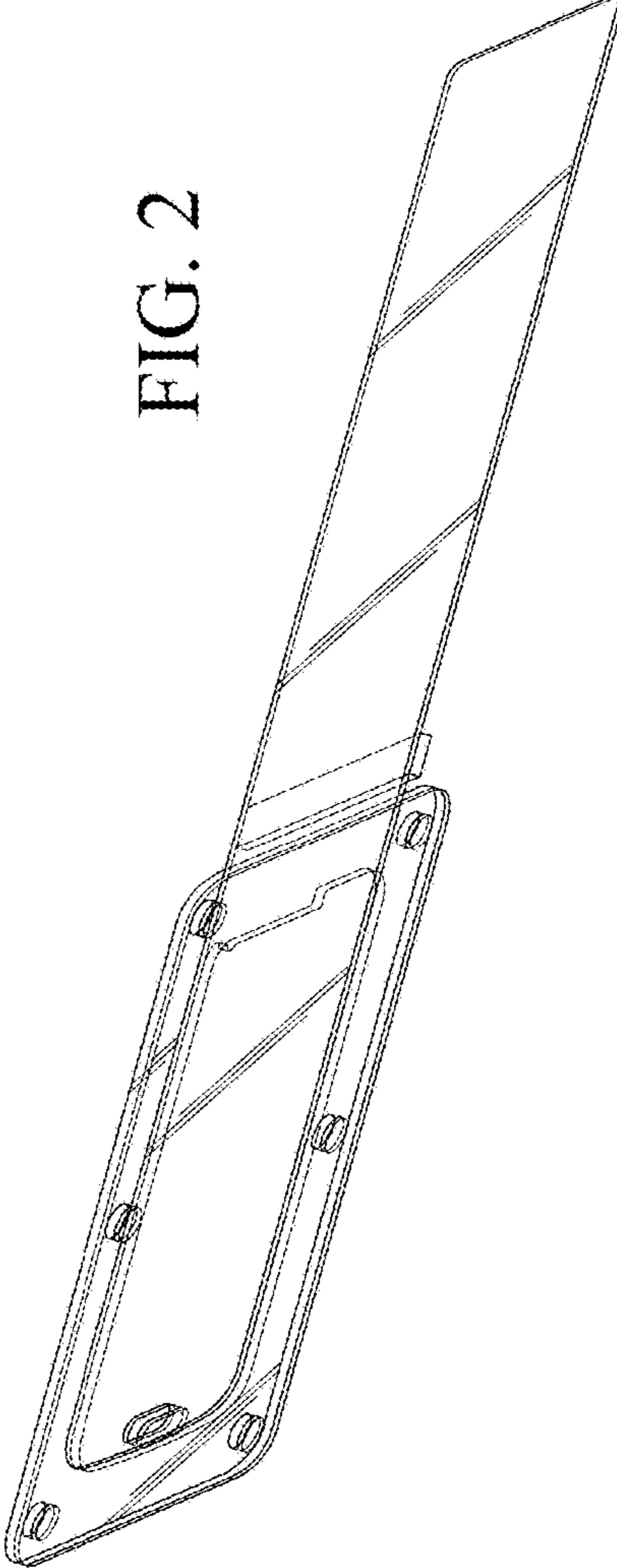


FIG. 2

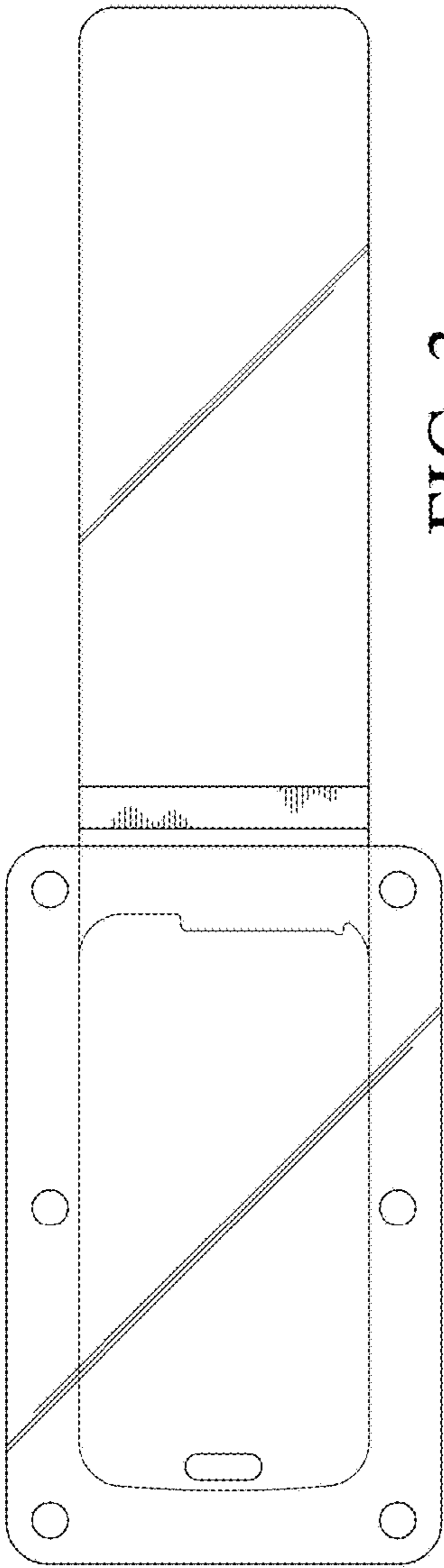


FIG. 3



FIG. 4

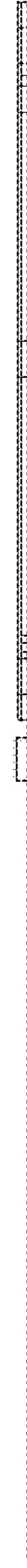


FIG. 5

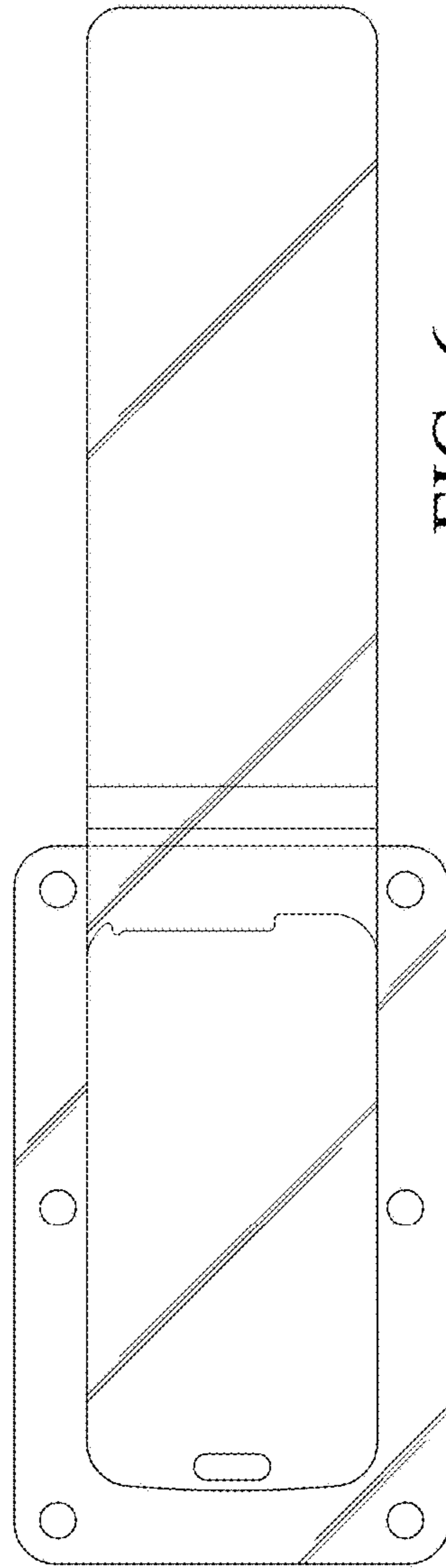


FIG. 6

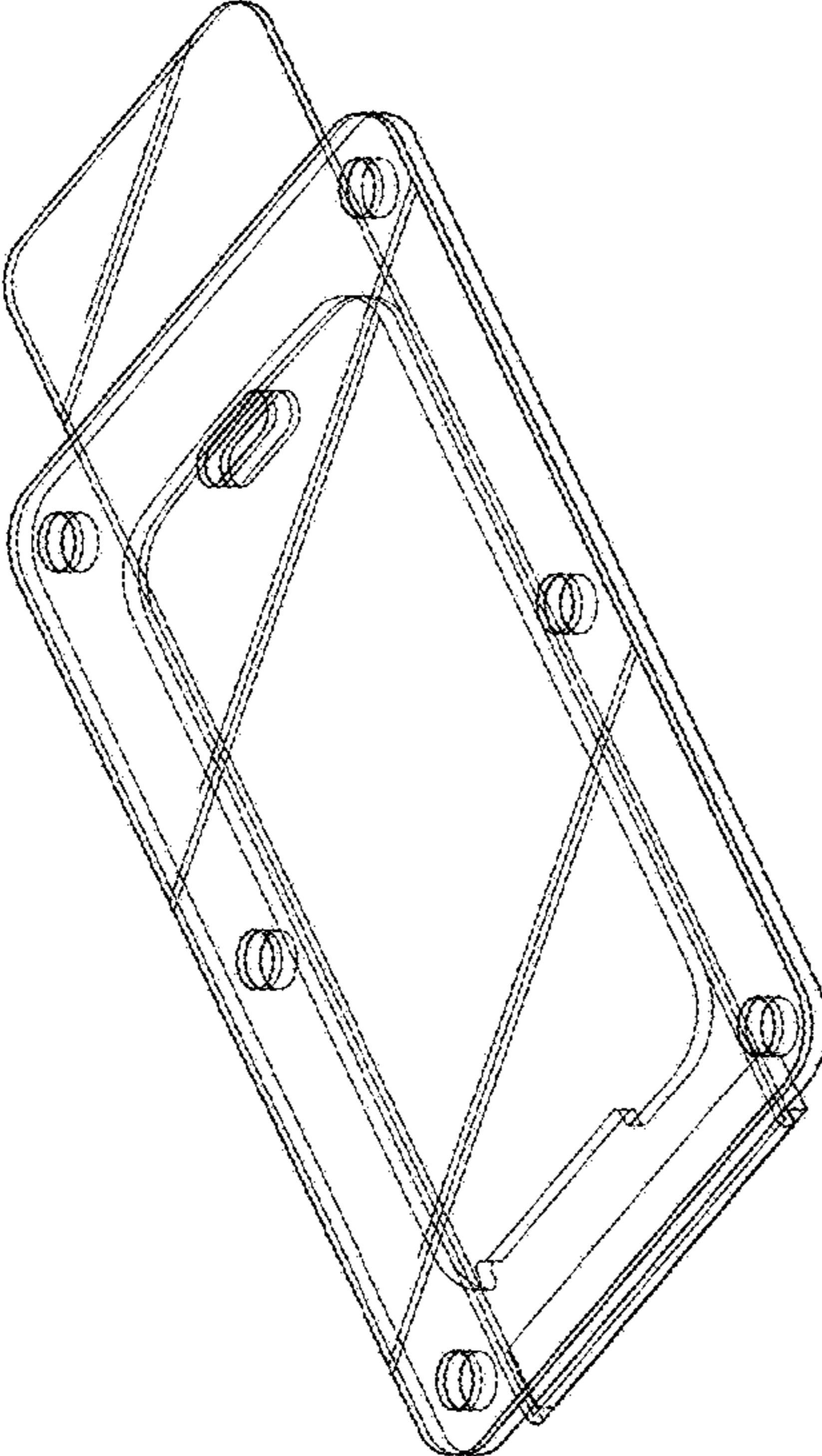


FIG. 7

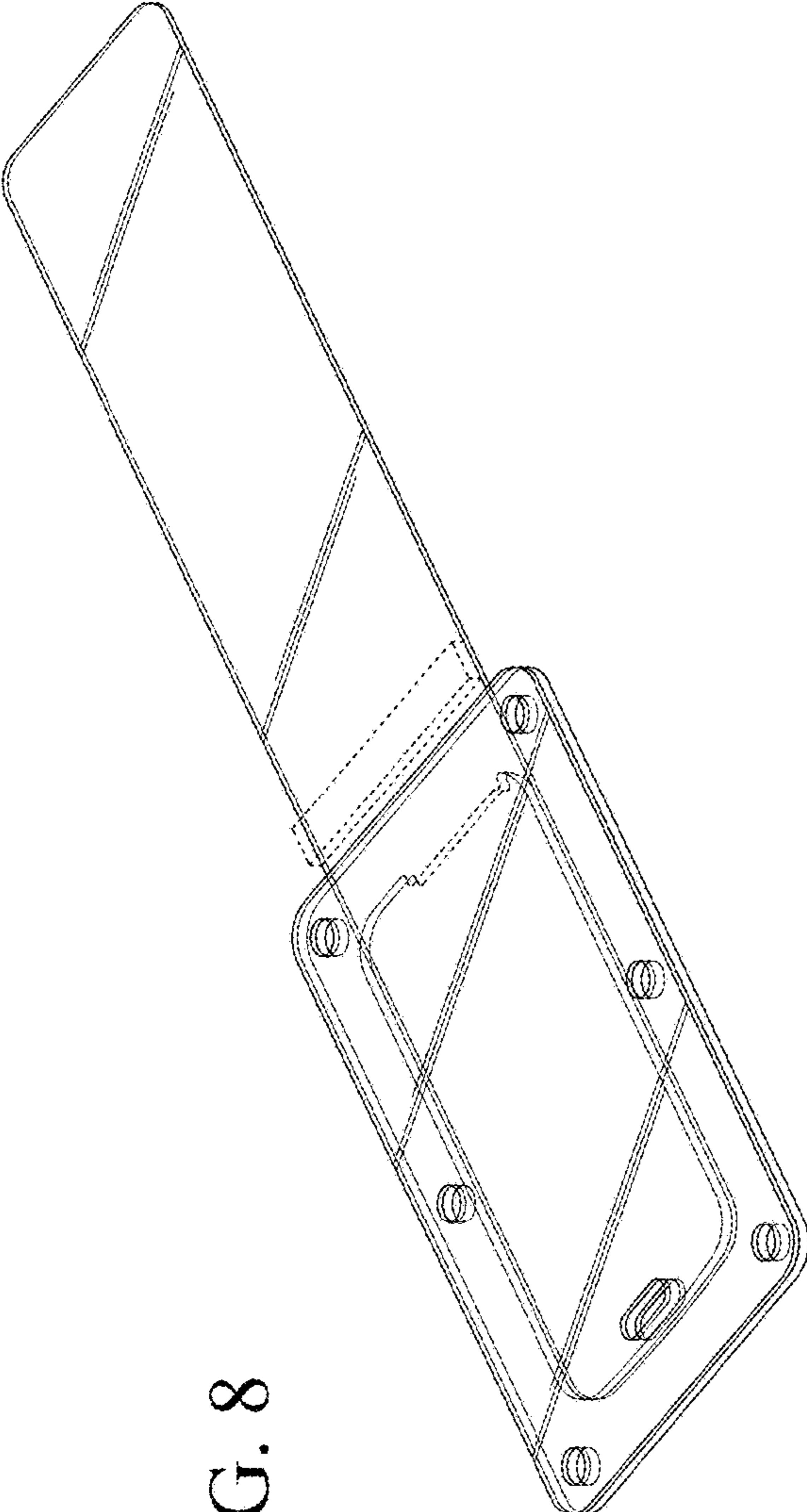


FIG. 8

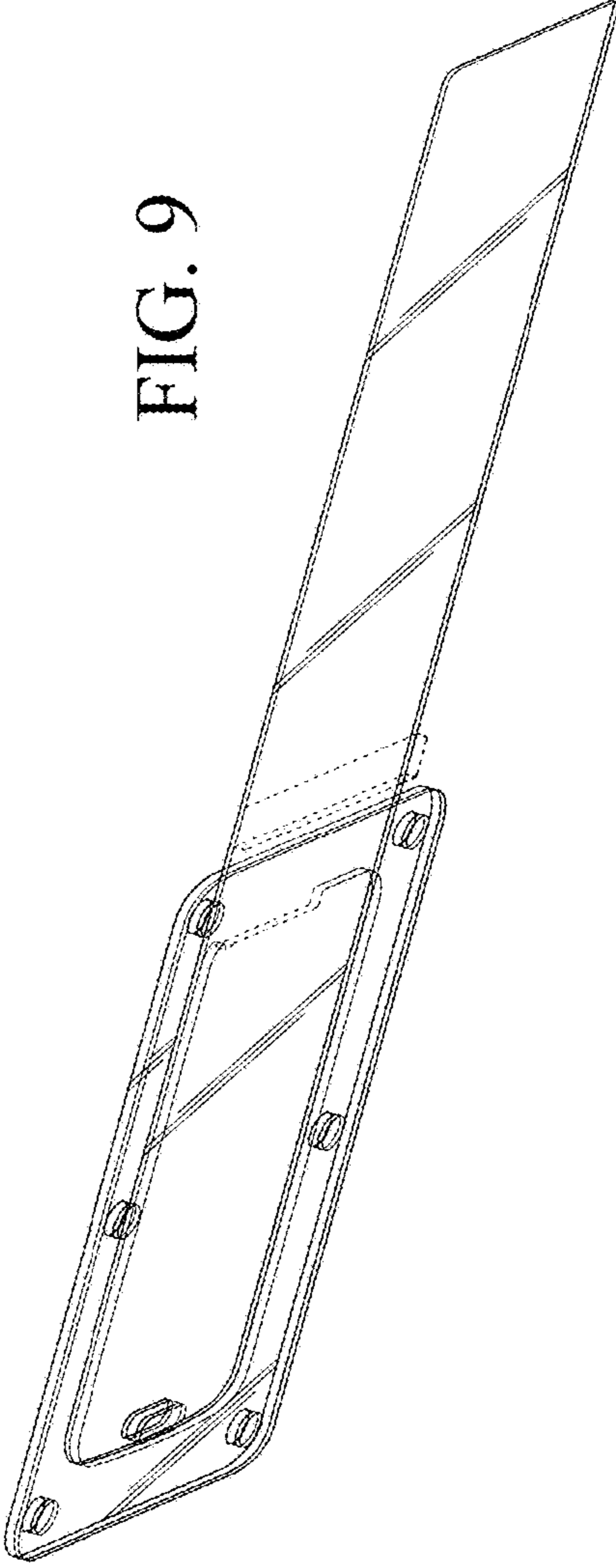


FIG. 9

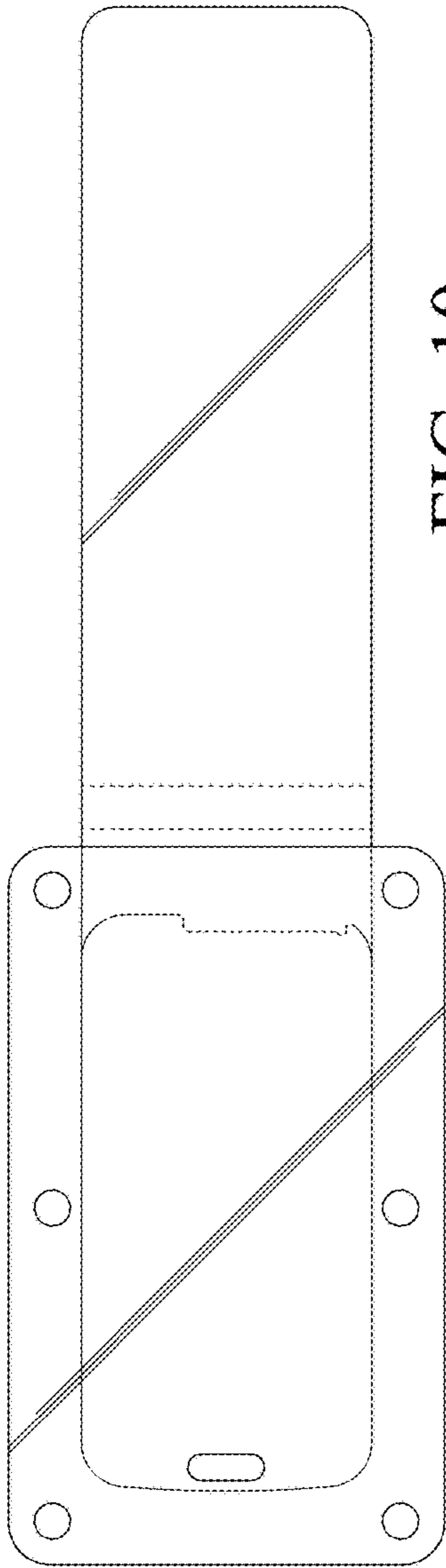


FIG. 10

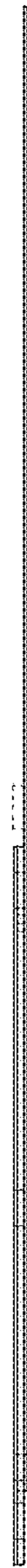


FIG. 11

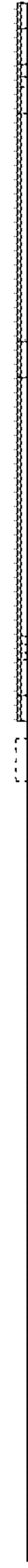


FIG. 12

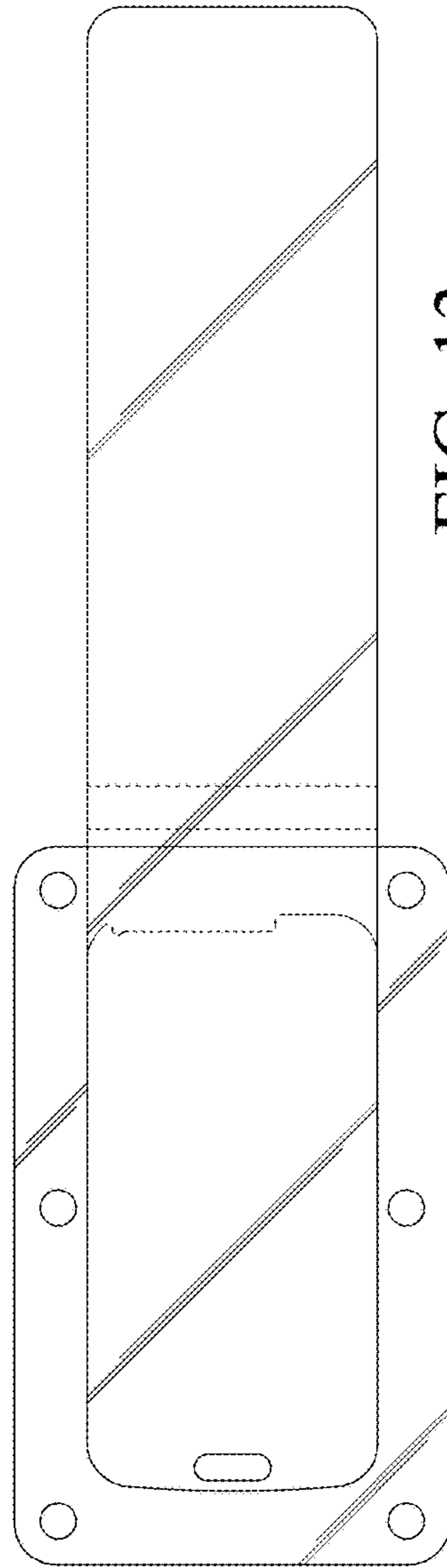


FIG. 13

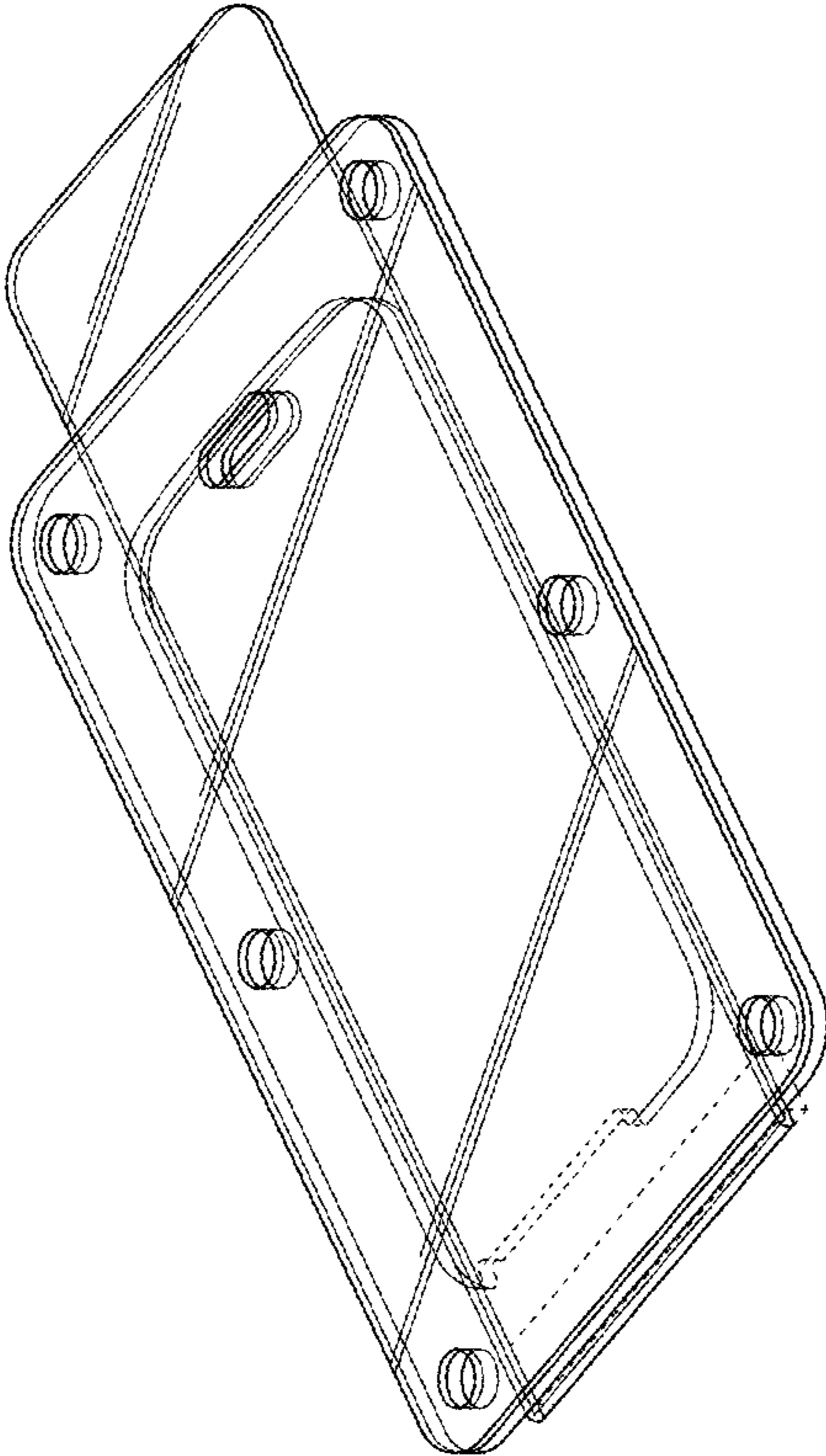


FIG. 14