



US00D783023S

(12) **United States Design Patent**
Kuroda et al.

(10) **Patent No.:** **US D783,023 S**

(45) **Date of Patent:** **** Apr. 4, 2017**

(54) **SCANNER**

(71) Applicant: **PFU LIMITED**, Kahoku-shi, Ishikawa (JP)

(72) Inventors: **Satoshi Kuroda**, Kahoku (JP); **Shoya Ishida**, Kahoku (JP); **Kiichiro Shimosaka**, Kahoku (JP); **Keisuke Kokuma**, Kahoku (JP)

(73) Assignee: **PFU LIMITED**, Ishikawa (JP)

(**) Term: **15 Years**

(21) Appl. No.: **29/561,590**

(22) Filed: **Apr. 18, 2016**

(30) **Foreign Application Priority Data**

Nov. 2, 2015 (JP) 2015-024478

(51) **LOC (10) Cl.** **14-02**

(52) **U.S. Cl.**
USPC **D14/422**

(58) **Field of Classification Search**

USPC D14/421-425; D18/40, 36-39, 41, D18/44-56; 235/462, 455, 470, 462.43, 235/482, 483; 358/474, 486, 488, 496, 358/498, 452, 449, 451, 453.1, 1.13; 318/685, 696; 355/81, 75; 399/405, 367, 399/379, 380; 382/217; 715/209, 222, 715/226, 274; 400/613, 613.1-613.4, 400/690.1-690.4, 691-694

CPC H04N 1/00; H04N 1/12; H04N 1/00013; H04N 1/00015; H04N 1/00018; H04N 1/00026; H04N 1/00557; H04N 1/00564; H04N 1/00567; H04N 1/0057; H04N 1/00572; H04N 1/00586; H04N 1/00588; H04N 1/00591; H04N 1/00594; H04N 1/00596; H04N 1/00604; H04N 1/00519; H04N 1/00559; H04N 1/1013; H04N 1/10; H04N 1/00551; H04N 1/00278;

H04N 2201/0456; H04N 2201/0446; H04N 2201/00; H04N 2201/0094; H04N 1/00525; G03G 15/0142; G03G 15/605; G03G 15/602; B65H 5/26; B65H 5/30; B65H 7/00; B65H 2402/515; B65H 2402/31; B65H

(Continued)

(56) **References Cited**

U.S. PATENT DOCUMENTS

5,199,695 A * 4/1993 Nakahata B65H 1/28
271/127

D422,570 S * 4/2000 Kobayashi D14/509

(Continued)

Primary Examiner — Susan Moon Lee

(74) *Attorney, Agent, or Firm* — RatnerPrestia

(57) **CLAIM**

The ornamental design for a scanner, as shown and described.

DESCRIPTION

FIG. 1 is a perspective view of a scanner showing our new design;

FIG. 2 is a front view thereof;

FIG. 3 is a rear view thereof;

FIG. 4 is a right side view thereof;

FIG. 5 is a left side view thereof

FIG. 6 is a top plan view thereof;

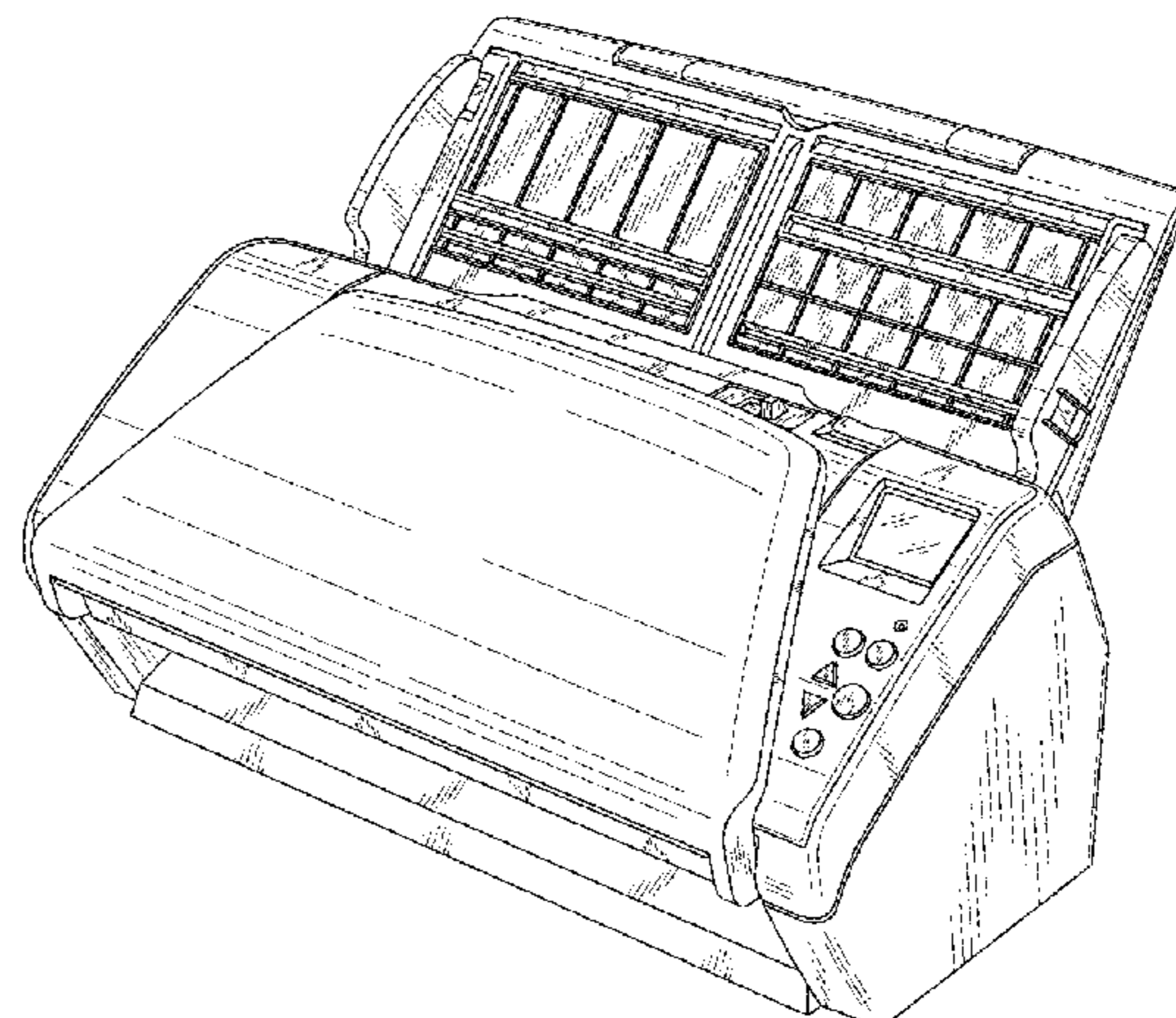
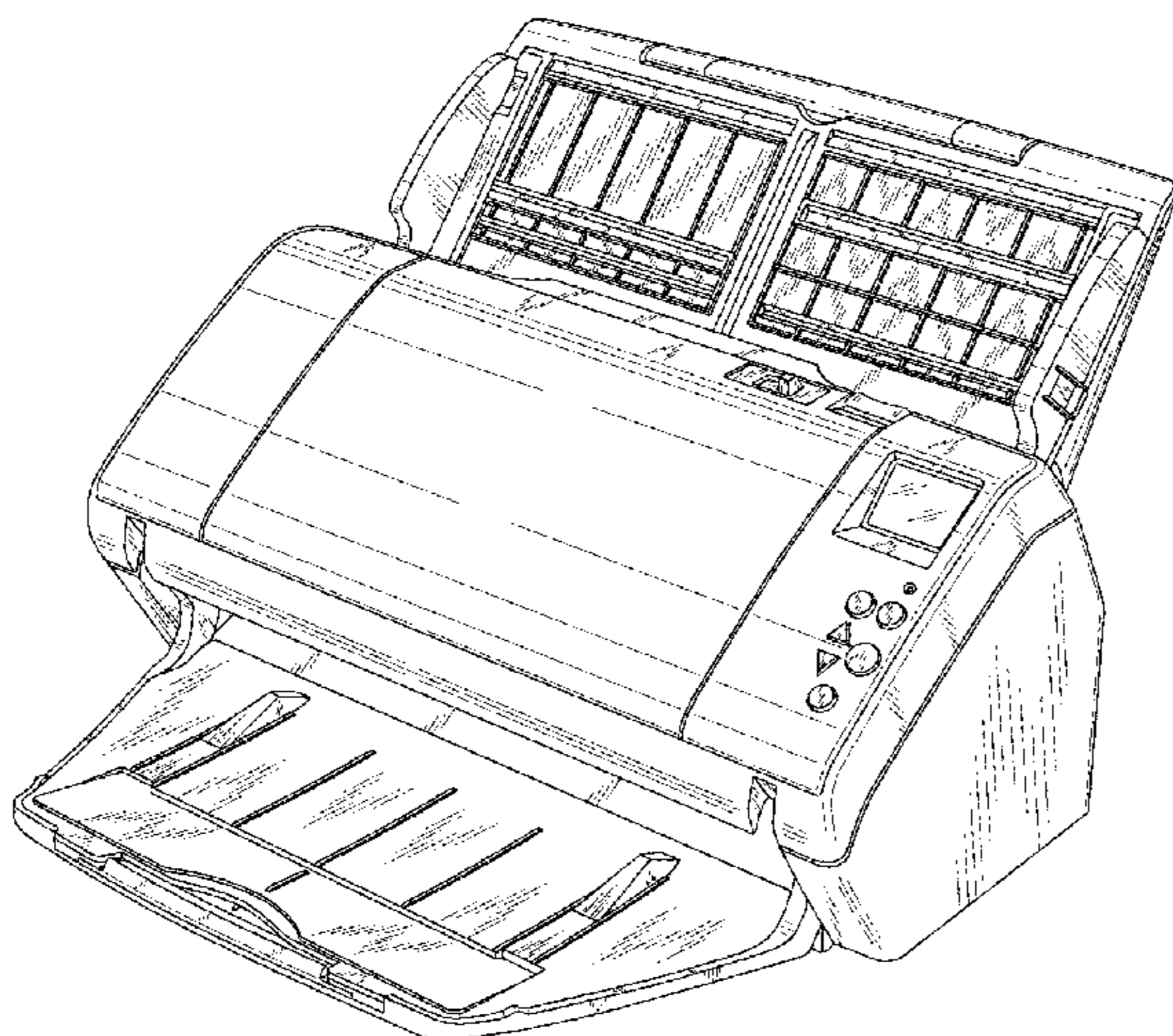
FIG. 7 is a bottom plan view thereof;

FIG. 8 is a perspective view showing the scanner with the catch tray closed; and,

FIG. 9 is a perspective view showing the scanner with the guides extended from the shoot and catch tray.

The broken lines in the drawings are for the purpose of illustrating unclaimed portions of the scanner and form no part of the claimed design.

1 Claim, 6 Drawing Sheets



(58) **Field of Classification Search**

CPC 2511/20; B65H 2511/414; B65H
 2511/00194; B65H 2511/00198; B65H
 2511/00202; B65H 2511/00206; B65H
 2301/00; B65H 2220/04; B65H 3/5261;
 B65H 2513/42

See application file for complete search history.

(56) **References Cited**

U.S. PATENT DOCUMENTS

D430,598 S * 9/2000 Gerstein 14/2
 6,540,219 B1 * 4/2003 Naruse B65H 3/063
 221/109
 D474,770 S * 5/2003 Chujou D14/425
 D475,052 S * 5/2003 Chujou D14/422
 D515,623 S * 2/2006 Hattori D18/36
 D571,370 S * 6/2008 Sugitani D14/422
 7,431,447 B2 * 10/2008 Jensen H04N 1/00543
 347/108
 7,731,350 B2 * 6/2010 Yamamoto B41J 13/103
 271/171
 D632,295 S 2/2011 Kuroda

D689,866 S * 9/2013 Anzai D14/422
 D692,891 S 11/2013 Kuroda et al.
 8,699,101 B2 * 4/2014 Mukai H04N 1/00533
 271/118
 D708,185 S * 7/2014 Romanoff D14/422
 D708,618 S * 7/2014 Romanoff D14/422
 D713,845 S * 9/2014 Taniho D14/422
 D719,168 S * 12/2014 Tani D14/422
 D721,372 S * 1/2015 Kuroda D14/422
 D758,369 S * 6/2016 Kuroda D14/422
 D766,246 S * 9/2016 Inada D14/422
 2003/0063337 A1 * 4/2003 Shirai H04N 1/0062
 358/498
 2003/0179257 A1 * 9/2003 Inui B41J 2/04573
 347/19
 2007/0188818 A1 * 8/2007 Westcott H04N 1/00525
 358/296
 2010/0053701 A1 * 3/2010 Yoshida H04N 1/00525
 358/474
 2013/0163056 A1 * 6/2013 Hanayama H04N 1/00013
 358/474
 2013/0222867 A1 * 8/2013 Tomita H04N 1/00013
 358/498

* cited by examiner

FIG. 1

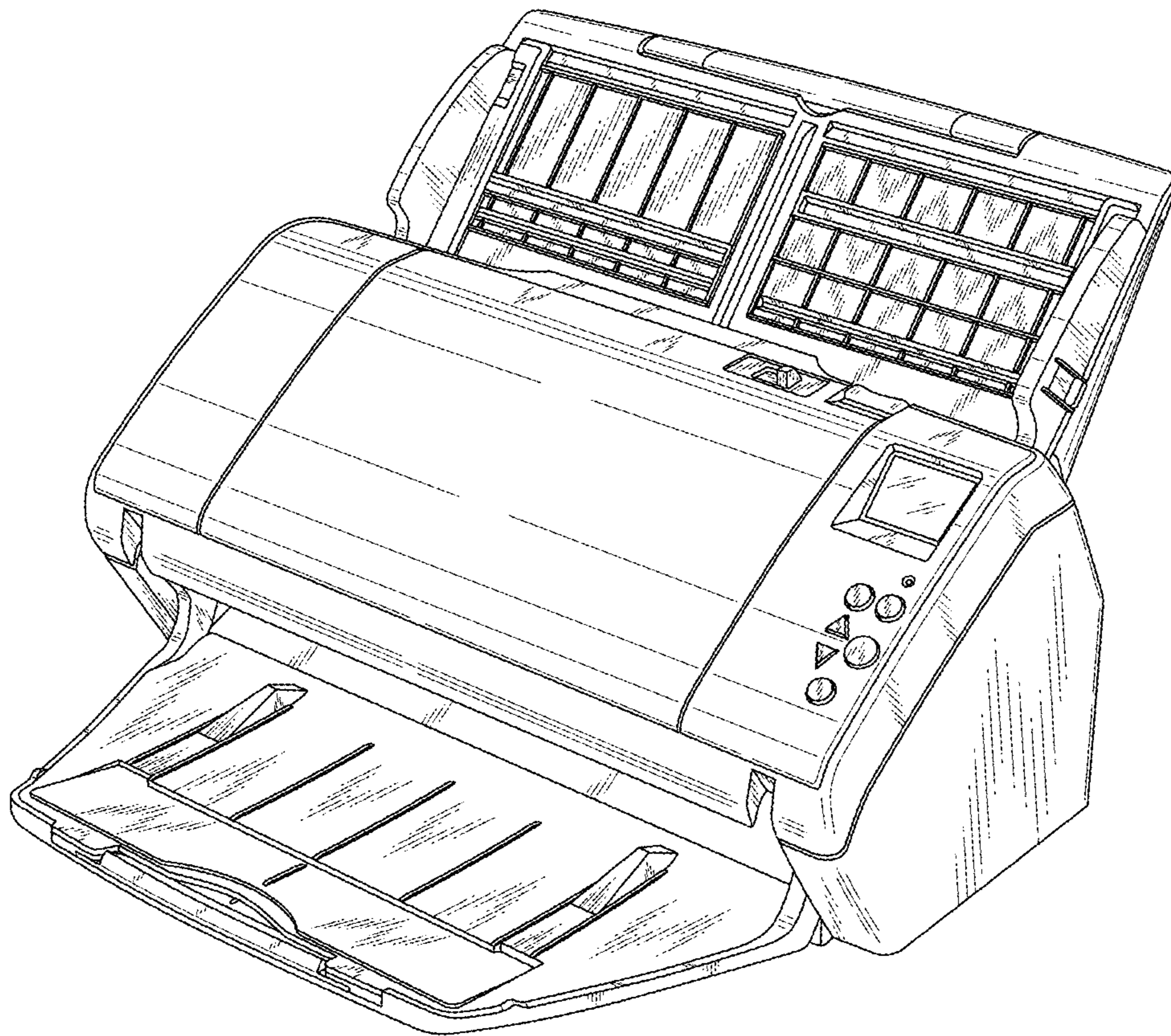


FIG. 2

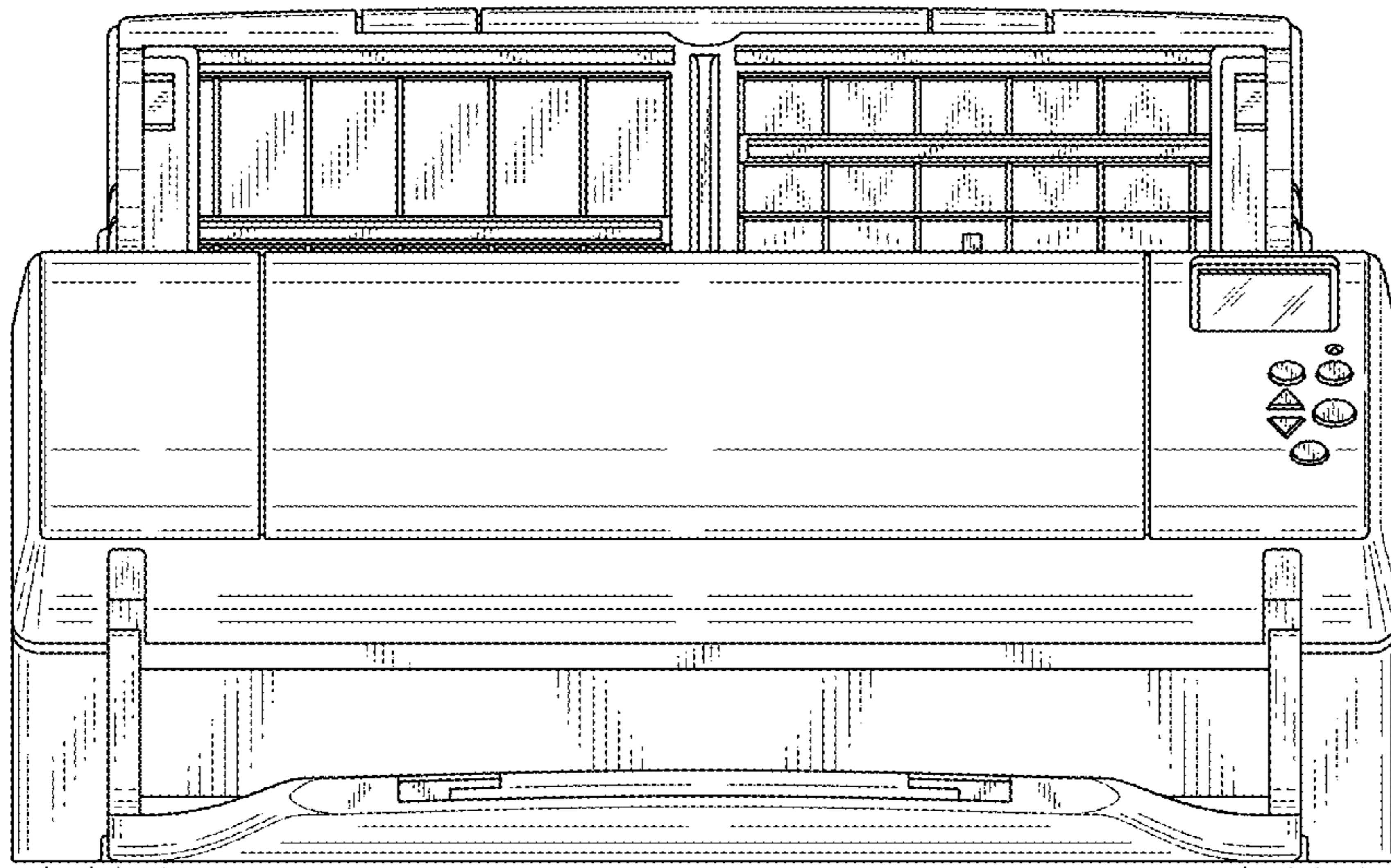


FIG. 3

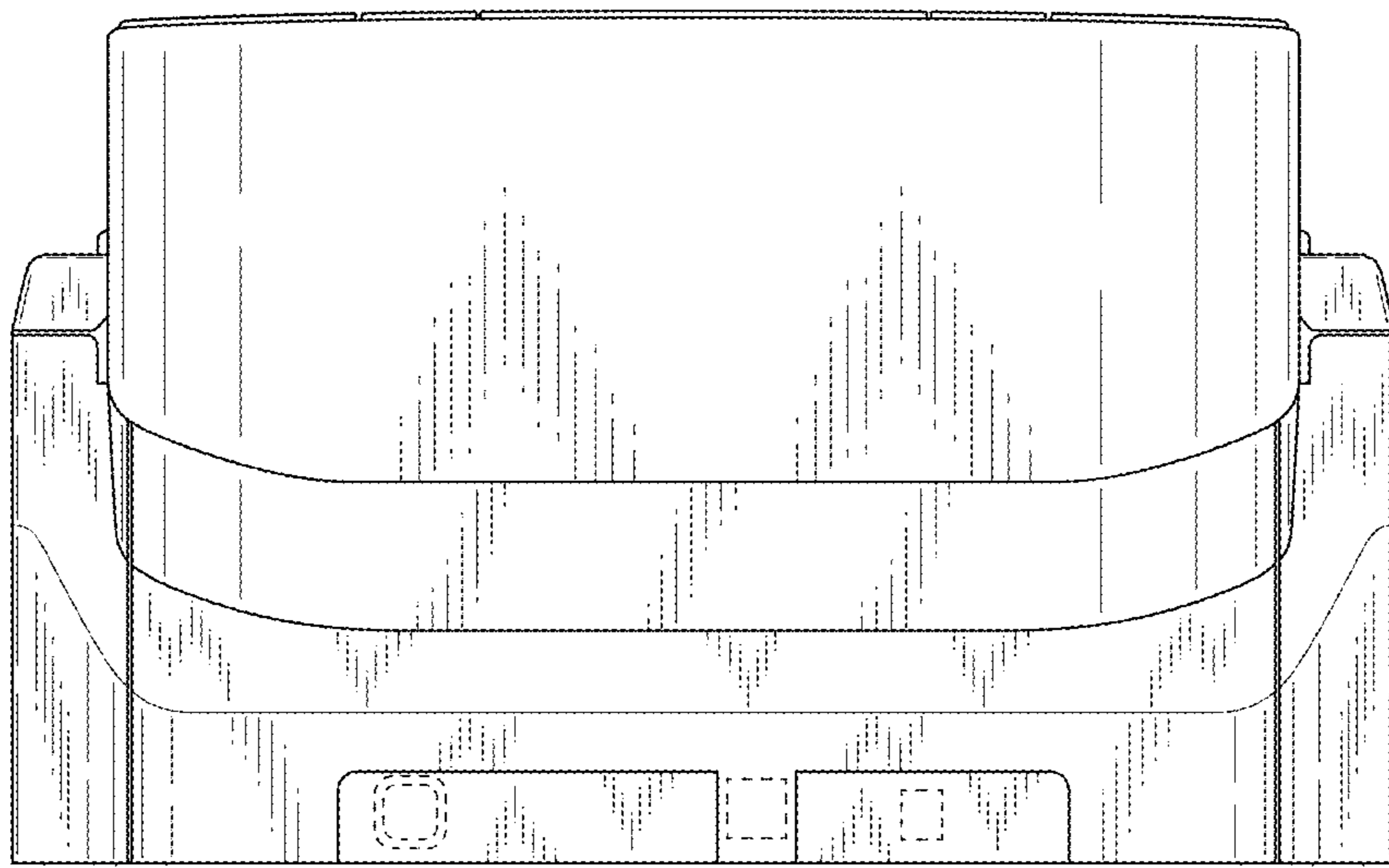


FIG. 4

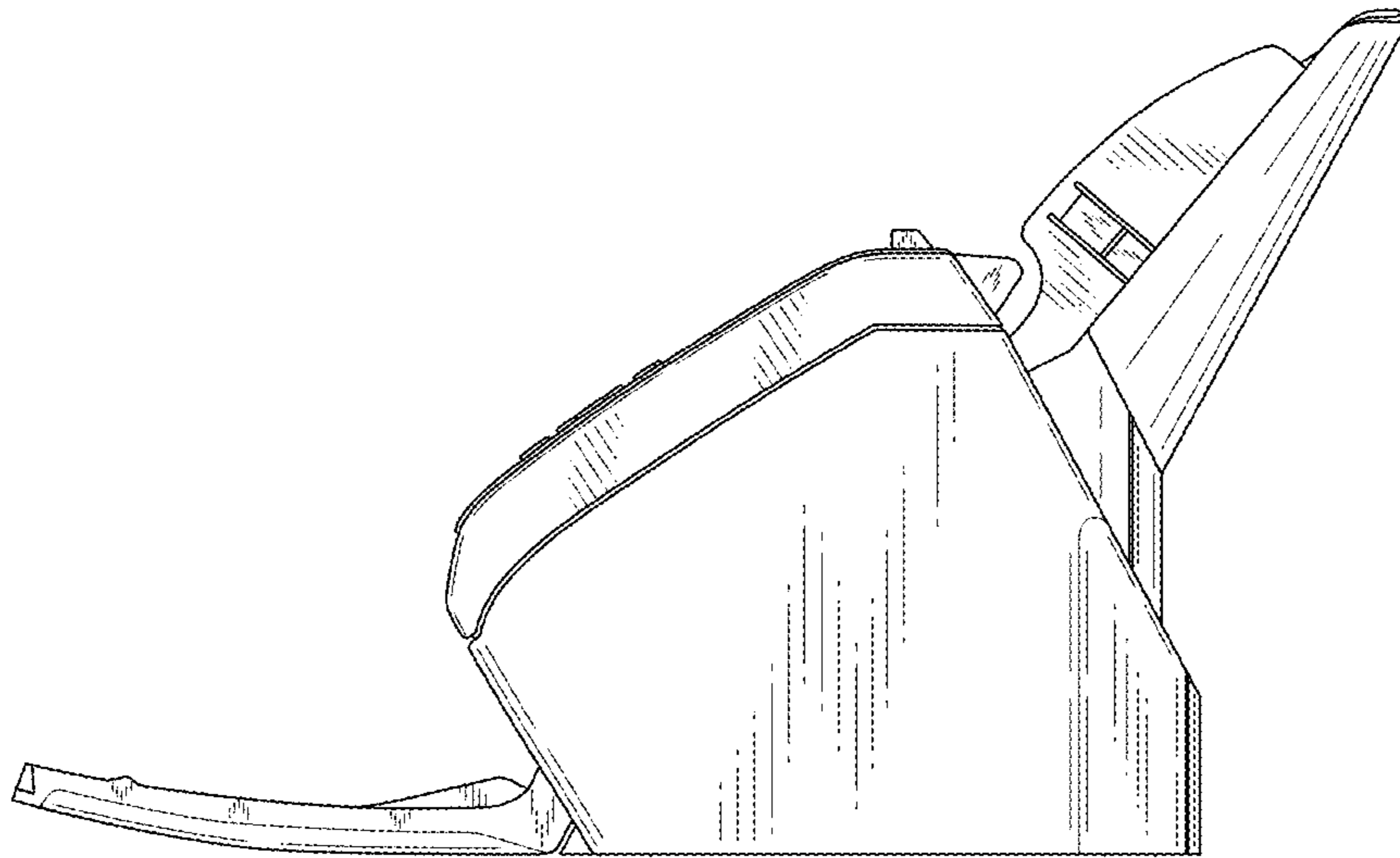


FIG. 5

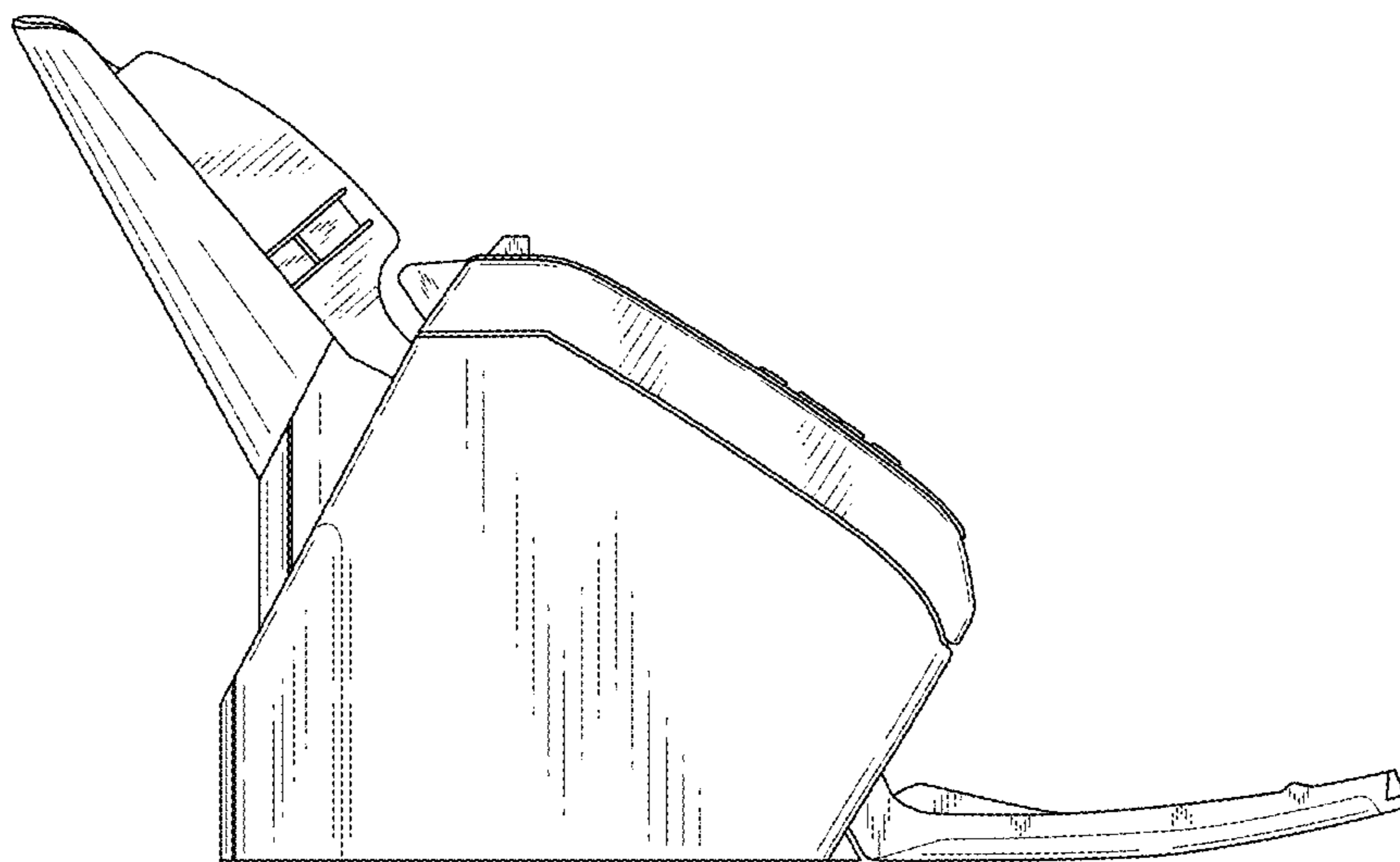


FIG. 6

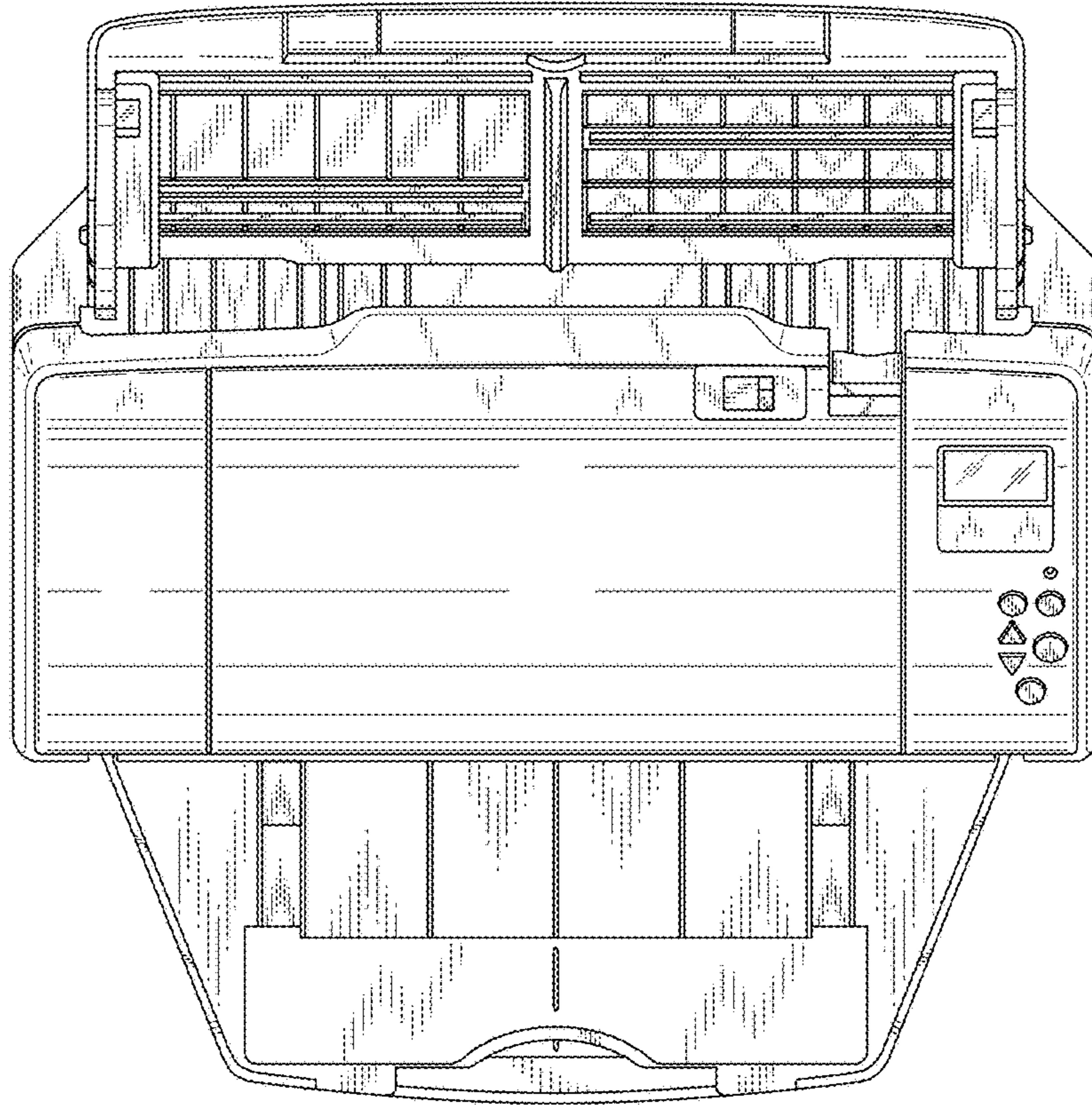


FIG. 7

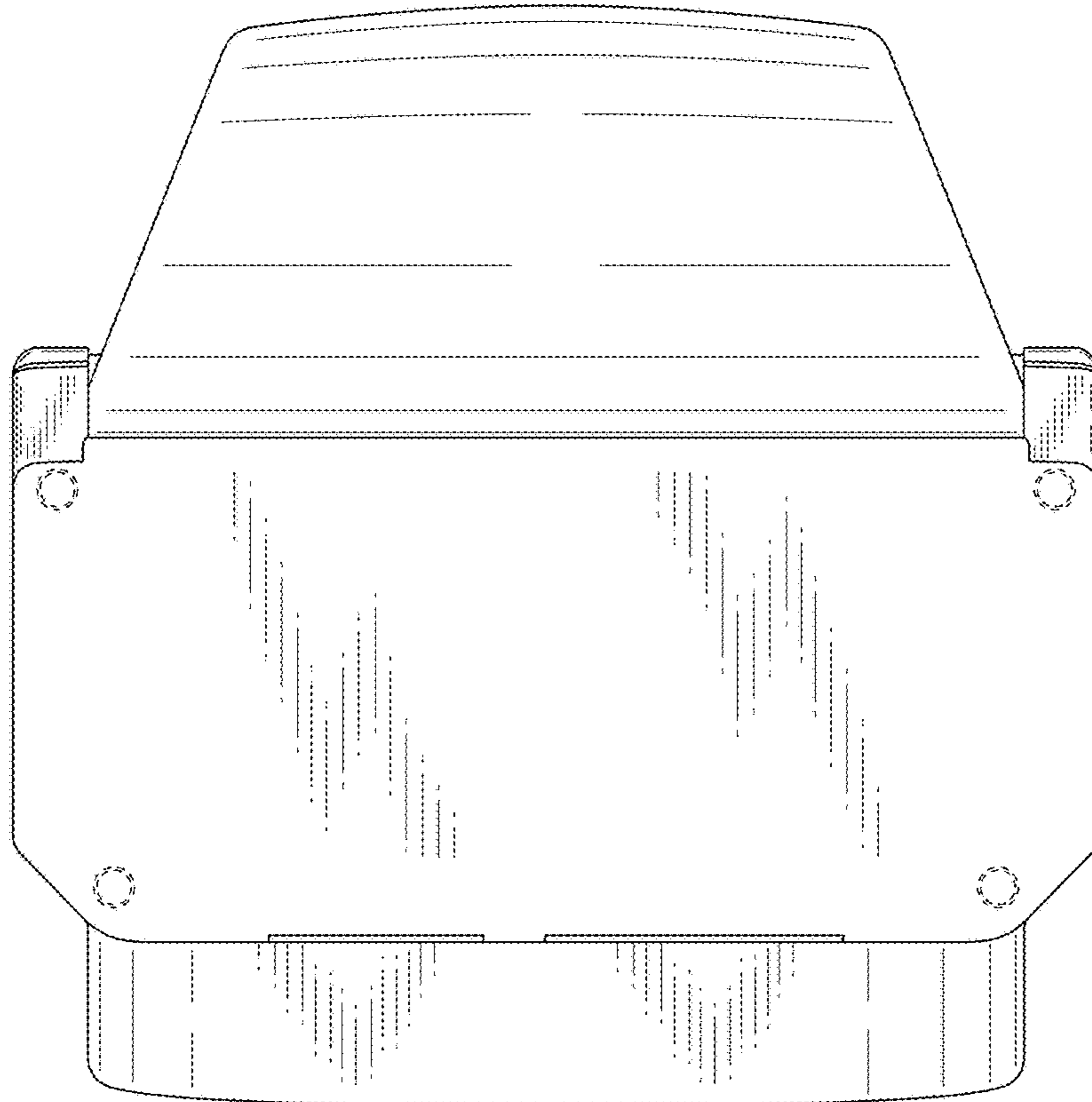


FIG. 8

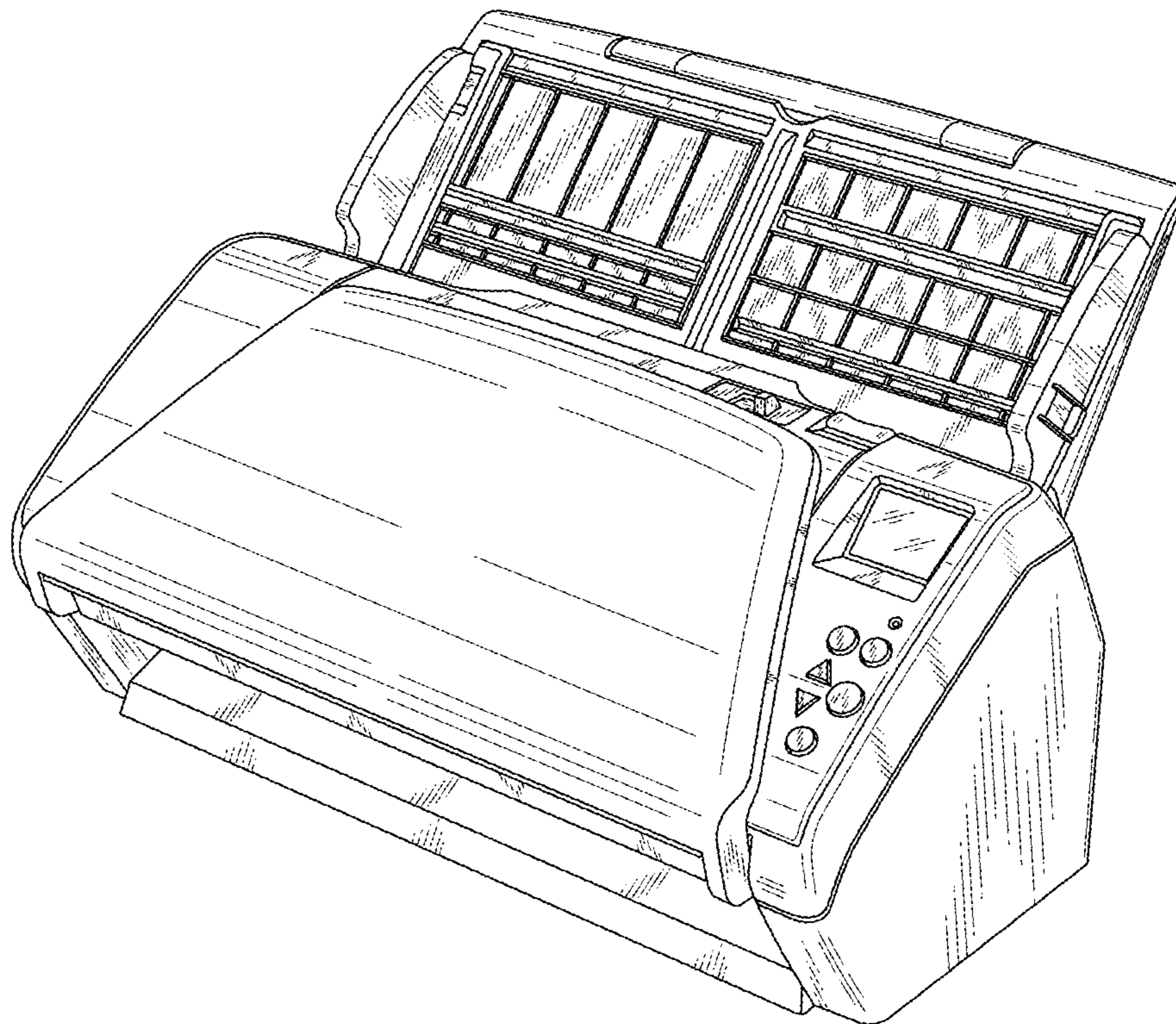


FIG. 9

