



US00D783018S

(12) **United States Design Patent** (10) **Patent No.:** **US D783,018 S**
Yin et al. (45) **Date of Patent:** **** Apr. 4, 2017**

(54) **DATA STORAGE DEVICE**

(71) Applicant: **Seagate Technology LLC**, Cupertino, CA (US)

(72) Inventors: **Philip Yin**, Fremont, CA (US); **Michael G. Morgan**, Los Altos Hills, CA (US); **Patrick M. Weiher**, Los Altos, CA (US); **Vanina Goncalves**, Courcouronnes (FR)

(73) Assignee: **Seagate Technology LLC**, Cupertino, CA (US)

(**) Term: **15 Years**

(21) Appl. No.: **29/549,001**

(22) Filed: **Dec. 18, 2015**

(51) **LOC (10) Cl.** **14-02**

(52) **U.S. Cl.**
USPC **D14/348**

(58) **Field of Classification Search**
USPC D14/240, 300, 301, 308, 313, 314, D14/348-358, 364-368, 441-446, 188; D13/123, 158, 162, 184, 199; 312/223.1-223.3, 351.11; 360/99.01-99.12; 369/34.01-36.01; 361/679.31-679.33, 679.37, 679.39, 361/679.46, 679.53, 679.4, 679.41, 727
CPC . G06F 1/20; G06F 1/181; G06F 1/187; G06F 1/183; G06F 1/184; G06F 1/16; G06F 1/18; H05K 7/16; H05K 7/1424; H05K 7/1409; H05K 7/20; H05K 7/20545; H05K 7/20727; H05K 7/1425; H05K 7/1488; H05K 7/183; H05K 7/14; H05K 5/00; H05K 7/00; H05H 7/20; G11B 33/126; G11B 33/128; G11B 33/08; G11B 33/02; G11B 33/12

See application file for complete search history.

(56) **References Cited**

U.S. PATENT DOCUMENTS

D422,573 S *	4/2000	Takano	D14/365
D462,073 S *	8/2002	Yoon	D14/368
D491,940 S *	6/2004	Narita	D14/368
D530,323 S *	10/2006	Hsu	D14/348
D541,268 S *	4/2007	Frank	D14/313
7,430,116 B2 *	9/2008	Liu	G06F 1/187 206/701
D587,267 S *	2/2009	Wang	D14/356
D729,239 S *	5/2015	Fukuoka	D14/348

(Continued)

Primary Examiner — Freda S Nunn
(74) *Attorney, Agent, or Firm* — Hall Estill Attorneys at Law

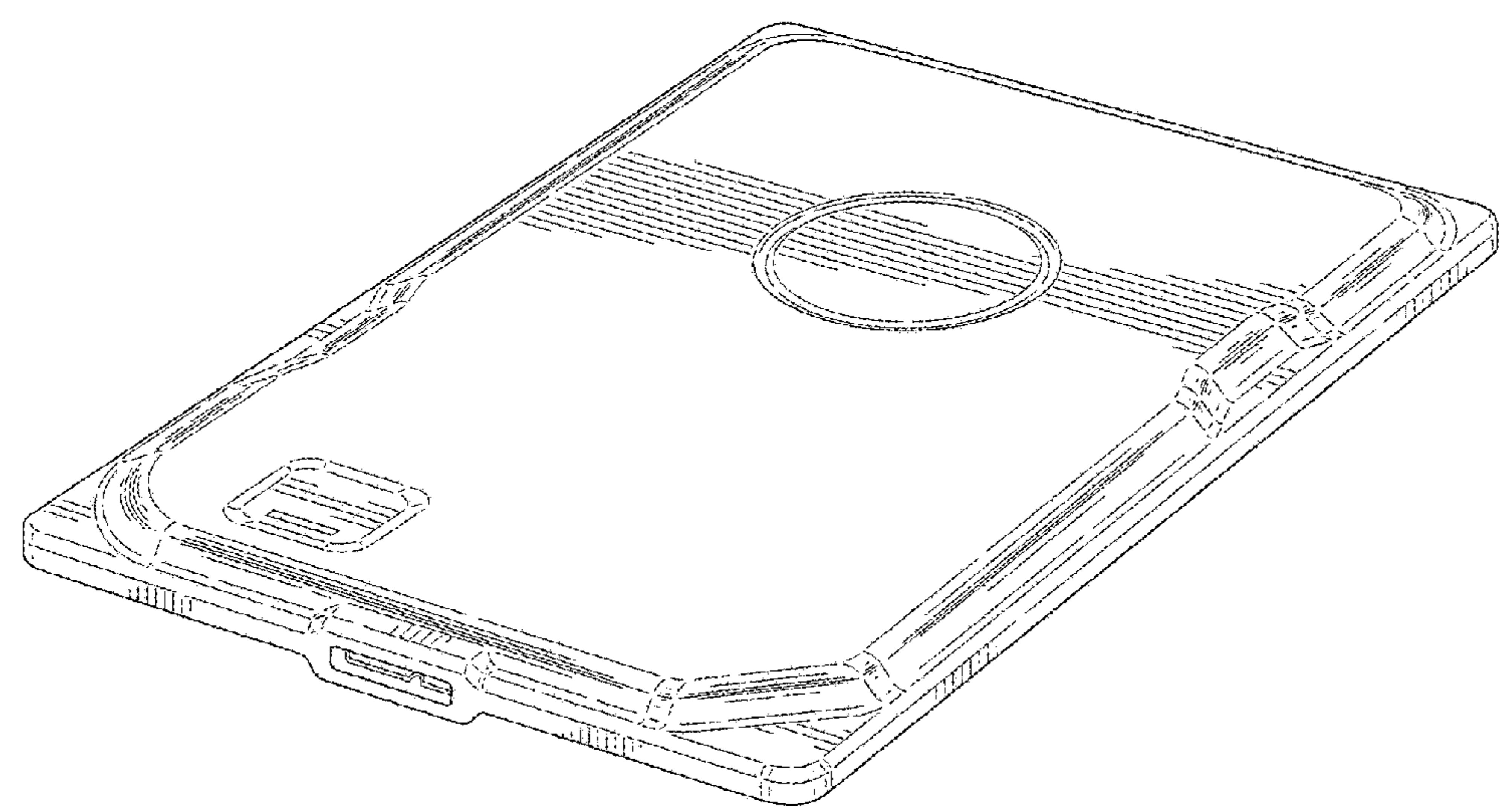
(57) **CLAIM**

The ornamental design for a data storage device, as shown and described.

DESCRIPTION

FIG. 1 is an isometric view of our design.
FIG. 2 is a top plan view of the design of FIG. 1.
FIG. 3 is a bottom plan view of the design of FIG. 1.
FIG. 4 is a left side elevational view of the design of FIG. 1.
FIG. 5 is a right side elevational view of the design of FIG. 1.
FIG. 6 is a front end view of the design of FIG. 1; and,
FIG. 7 is a rear end view of the design of FIG. 1.
The broken lines in these drawings serve to illustrate the environment in which the claimed design is associated. The broken lines form no part of the claimed design.

1 Claim, 5 Drawing Sheets



(56)

References Cited

U.S. PATENT DOCUMENTS

2004/0032711 A1 * 2/2004 Kaczeus, Sr. G06F 1/184
361/679.33

* cited by examiner

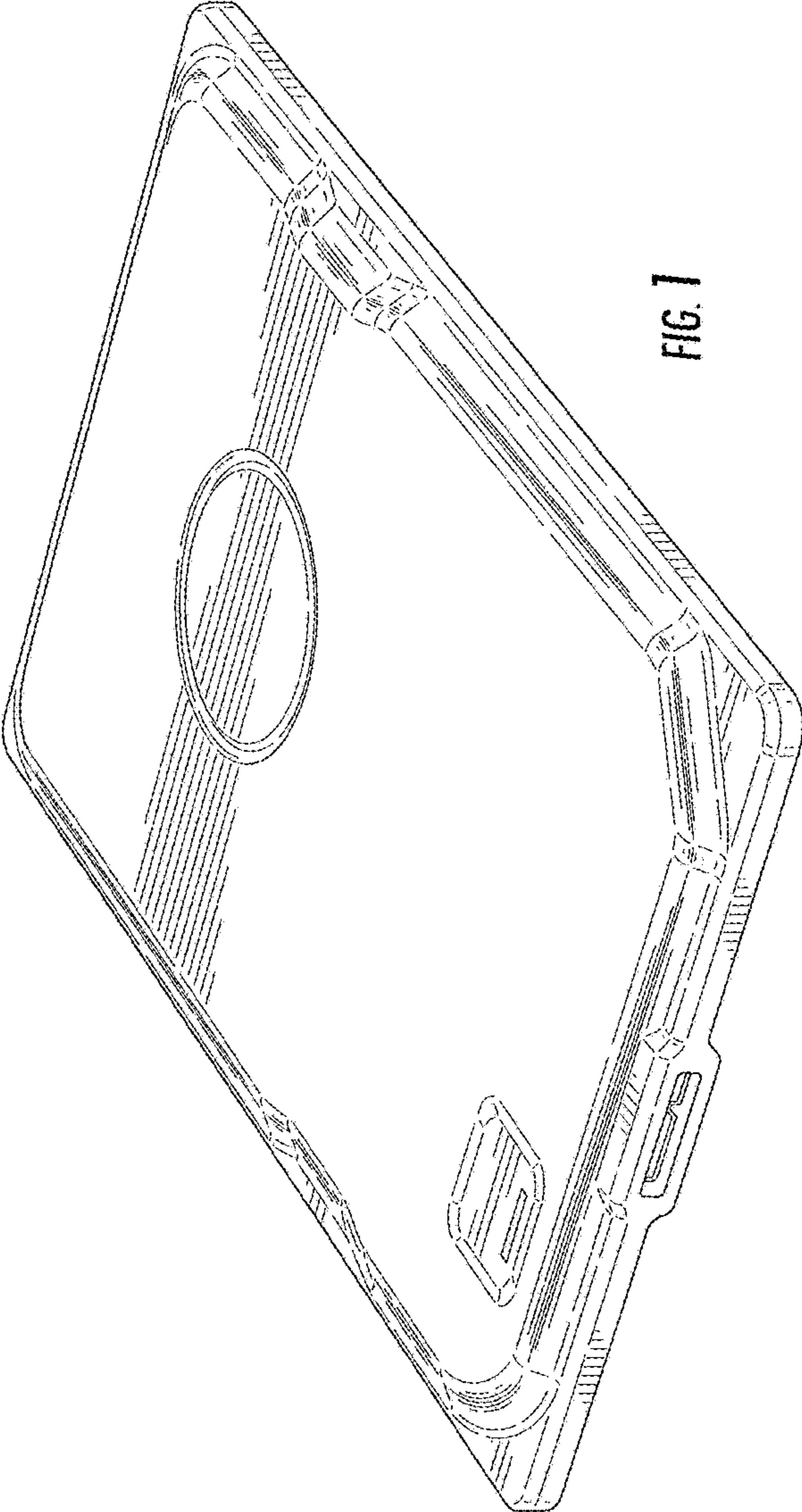


FIG. 1

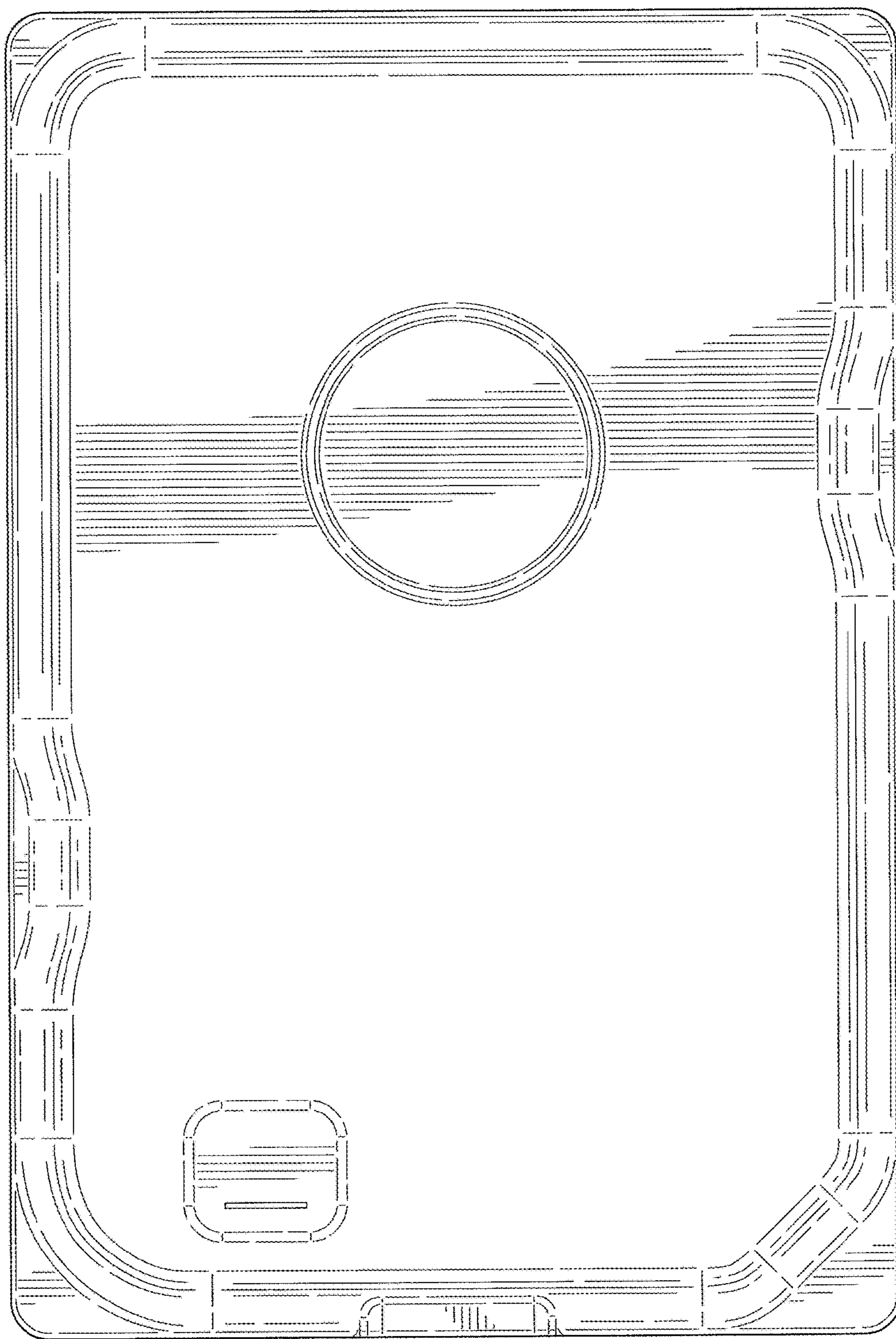


FIG. 2

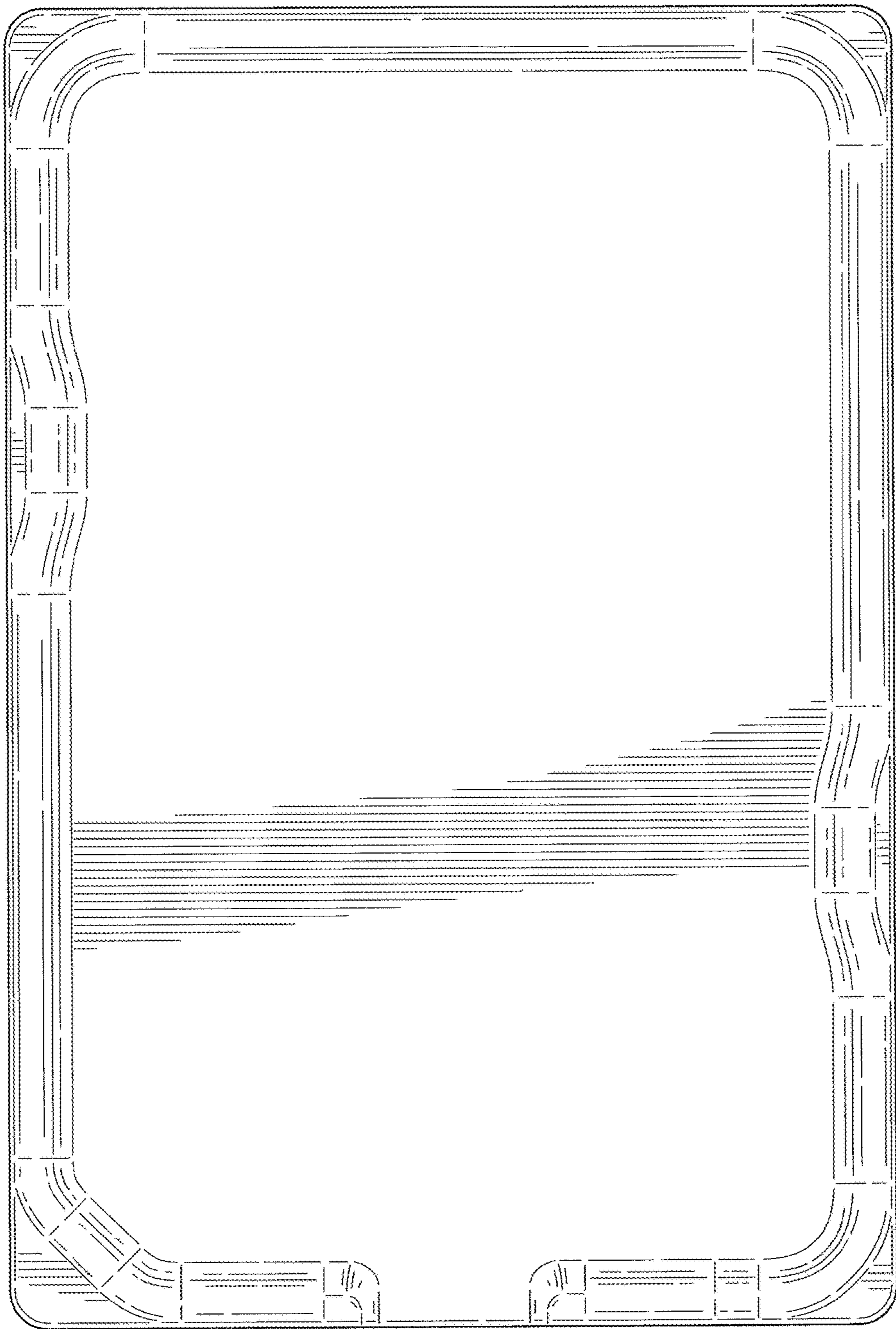


FIG. 3

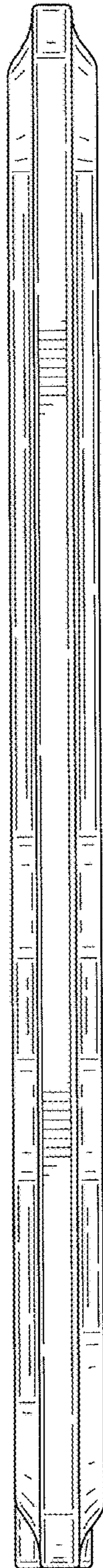


FIG. 4

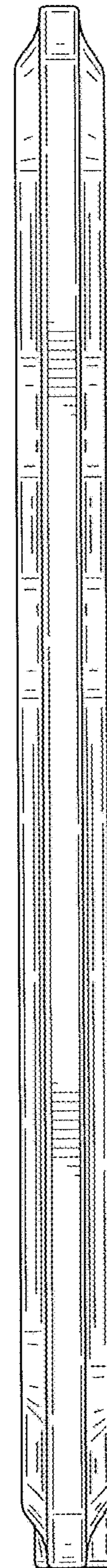


FIG. 5

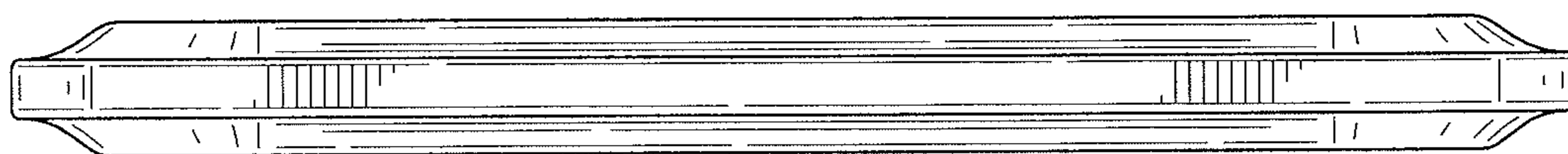


FIG. 6

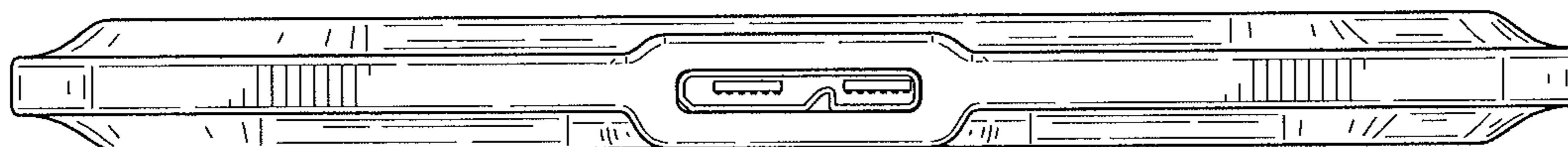


FIG. 7