



US00D783017S

(12) **United States Design Patent** (10) **Patent No.:** **US D783,017 S**
Widiaman et al. (45) **Date of Patent:** **** Apr. 4, 2017**

(54) **TABLET COMPUTER**
(71) Applicant: **Hewlett-Packard Development Company, L.P.**, Houston, TX (US)
(72) Inventors: **Rudy Widiaman**, Houston, TX (US); **Eric Chen**, Houston, TX (US); **Vincent K. Shyu**, Houston, TX (US)
(73) Assignee: **Hewlett-Packard Development Company, L.P.**, Houston, TX (US)
(**) Term: **14 Years**
(21) Appl. No.: **29/512,712**
(22) Filed: **Dec. 22, 2014**
(51) **LOC (10) Cl.** **14-02**
(52) **U.S. Cl.**
USPC **D14/341**
(58) **Field of Classification Search**
USPC D14/341-347, 137, 138 R, 138 AA, D14/138 AB, 138 C, 138 G, 203.1, 203.3, D14/203.4, 203.7, 129, 130, 147, 218, D14/247, 248, 332, 388, 389, 315-318, D14/420, 426, 429, 489, 492, 496; D10/50, 65, 104.1; D18/6; D21/329, D21/330; D6/308, 310
CPC G06F 1/1613; G06F 1/1647; G06F 1/1641; G06F 3/04883; G06F 3/0486; G06F 3/04847; G06F 3/04845; G06F 3/04817; G06F 3/0484; H04M 1/0279; H04M 1/0281; H04M 1/0283; A63H 33/3016
See application file for complete search history.

D594,225 S * 6/2009 Leung D3/218
D625,629 S * 10/2010 McAlpine D10/65
D644,542 S * 9/2011 Henne D10/65
D670,295 S * 11/2012 Prescott D14/447
D673,561 S * 1/2013 Hyun D14/341
D676,043 S * 2/2013 Hirose D14/341
D694,751 S * 12/2013 Ju D14/341
D699,131 S * 2/2014 Marshall D10/65
D701,203 S * 3/2014 Katori D14/341
D703,665 S * 4/2014 Suzuki D14/341
D710,351 S * 8/2014 Park D14/341
D710,844 S * 8/2014 Lee D14/341
D712,864 S * 9/2014 Hirota D14/138 G
D719,151 S * 12/2014 Hirayama D14/341
D719,565 S * 12/2014 Hirayama D14/341

(Continued)

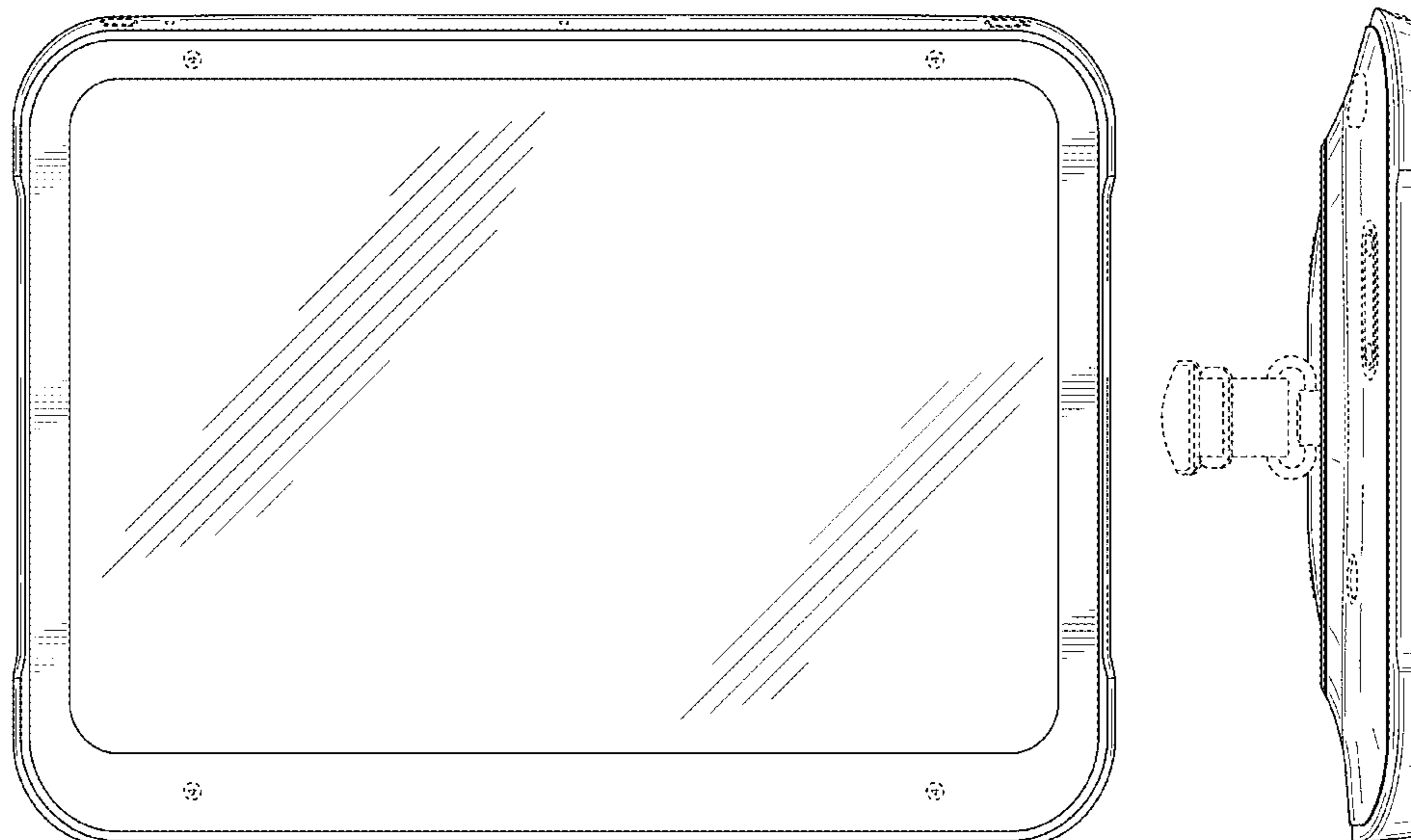
Primary Examiner — Barbara Fox
Assistant Examiner — Dana K Weiland
(74) *Attorney, Agent, or Firm* — Foley & Lardner

(56) **References Cited**
U.S. PATENT DOCUMENTS
6,788,527 B2 * 9/2004 Doczy G06F 1/1626 312/208.1
6,951,278 B2 * 10/2005 Pettigrew G11B 33/0427 206/308.1

(57) **CLAIM**
We claim the ornamental design for a tablet computer, as shown and described.

DESCRIPTION
FIG. 1 is a bottom, front, right perspective view of an embodiment of the claimed design;
FIG. 2 is a top, rear, left perspective view thereof;
FIG. 3 is a front elevation view thereof;
FIG. 4 is a rear elevation view thereof;
FIG. 5 is a right elevation view thereof;
FIG. 6 is a left elevation view thereof;
FIG. 7 is a top plan view thereof; and,
FIG. 8 is a bottom plan view thereof.
The broken lines shown in the drawings illustrate portions of the tablet computer that form no part of the claimed design.

1 Claim, 6 Drawing Sheets



(56)

References Cited

U.S. PATENT DOCUMENTS

D719,961 S * 12/2014 Xiang D14/447
D724,044 S * 3/2015 Reivo D14/138 G
D739,403 S * 9/2015 David D14/341
D759,120 S * 6/2016 Akana D14/203.7
2007/0019374 A1* 1/2007 Springer G06F 1/1616
361/679.37
2012/0075799 A1* 3/2012 Pollex F16M 11/041
361/679.56
2013/0140837 A1* 6/2013 Carroll F16M 13/04
294/142
2013/0175018 A1* 7/2013 Huang G06F 1/203
165/185

* cited by examiner

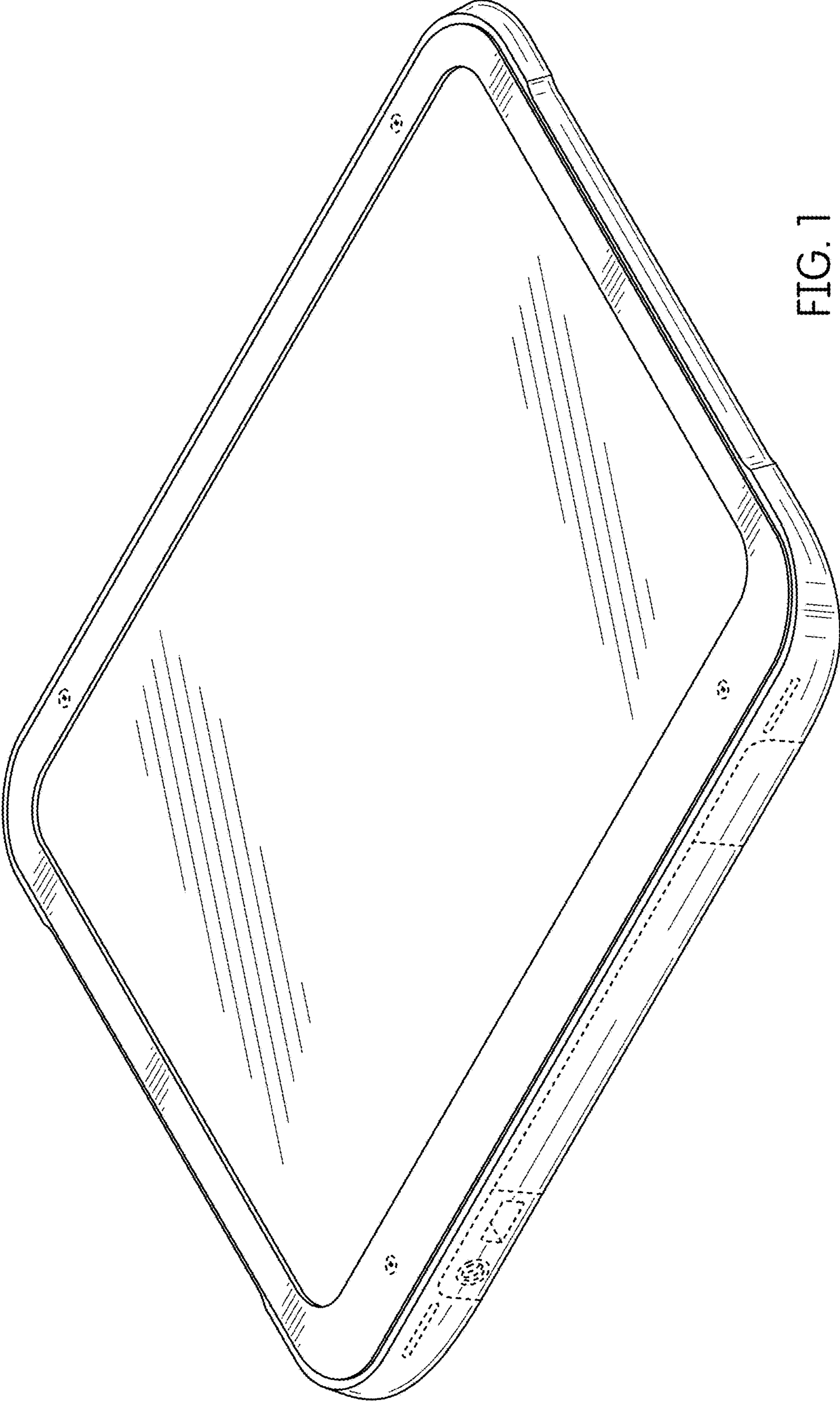


FIG. 1

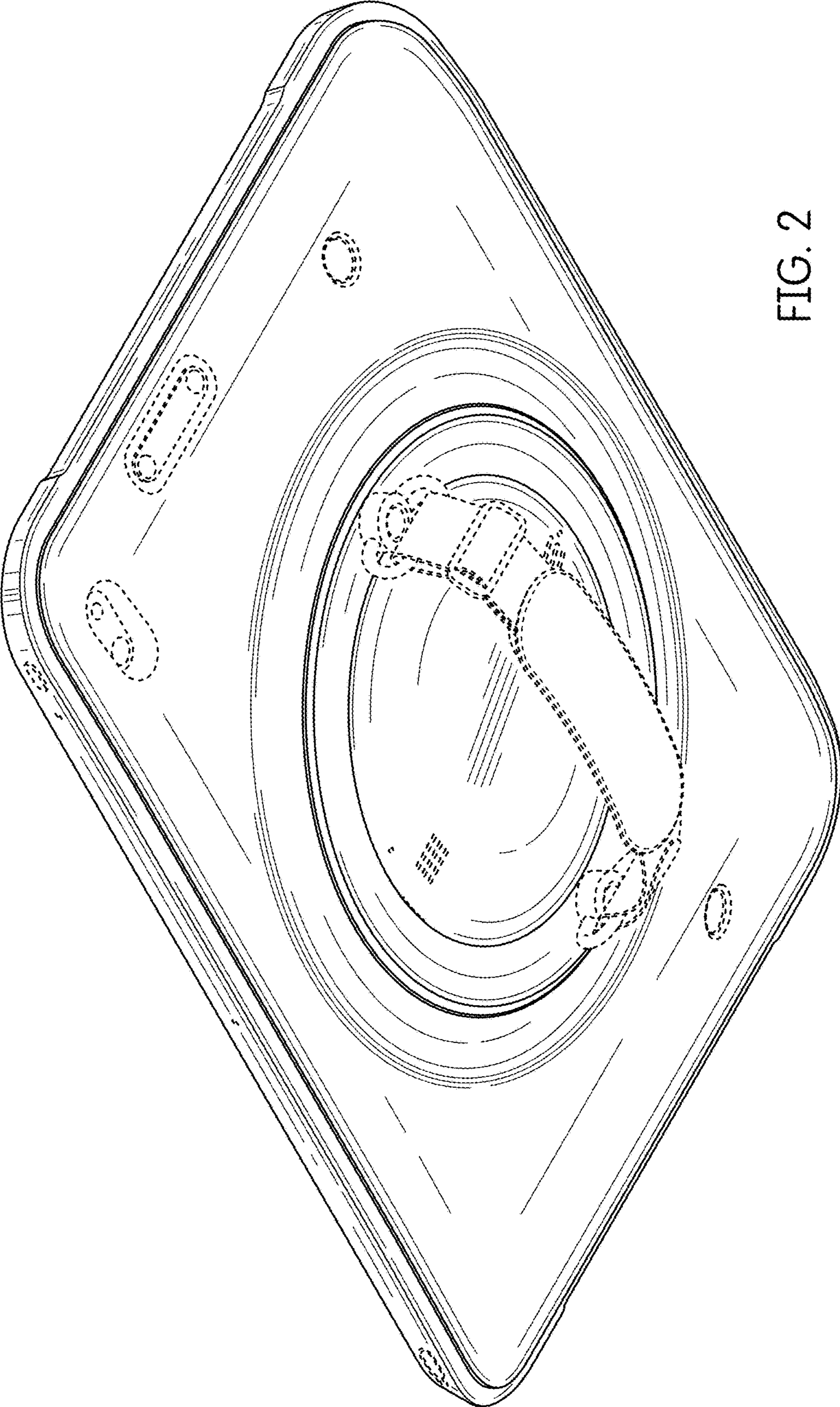


FIG. 2

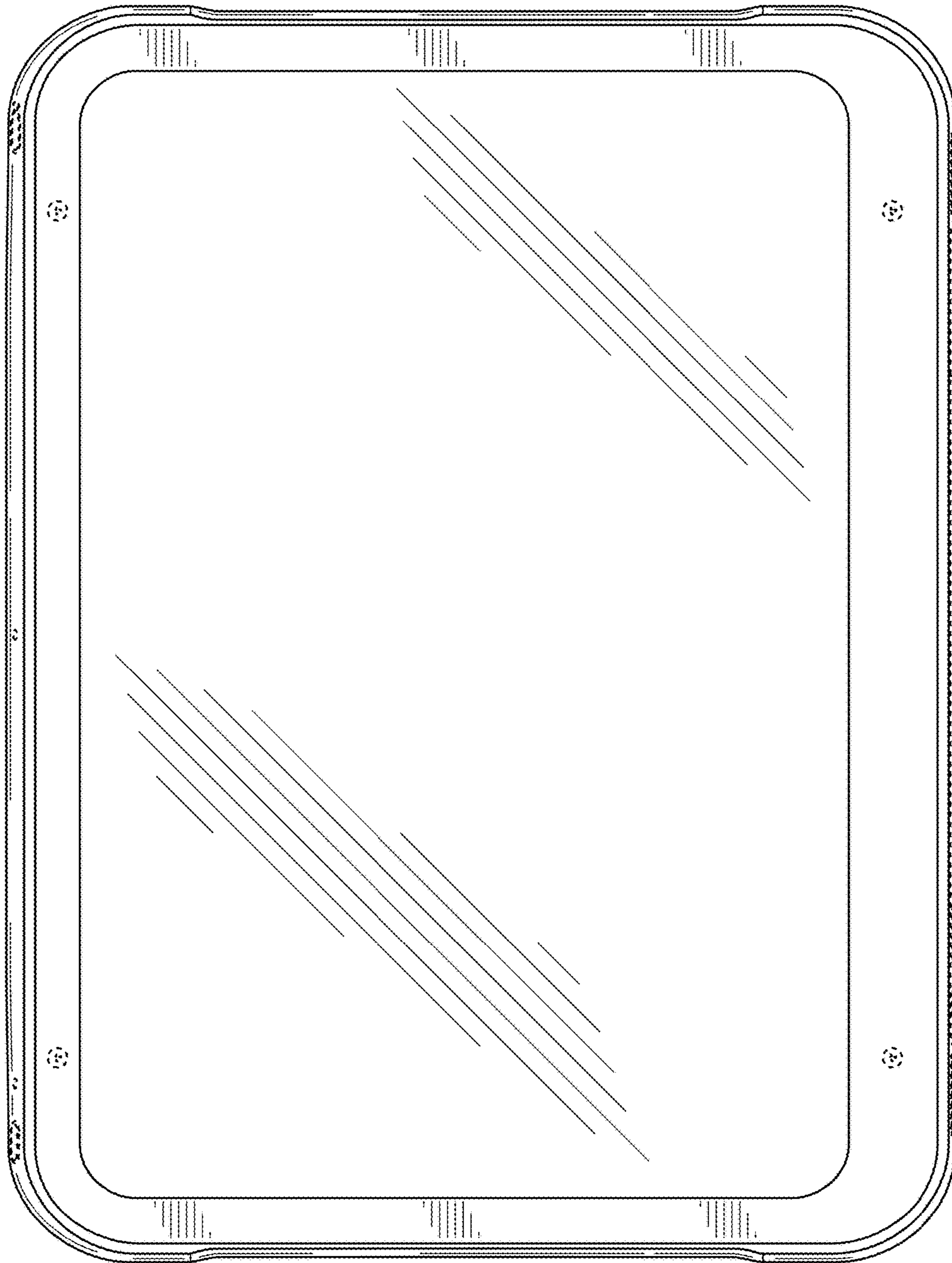


FIG. 3

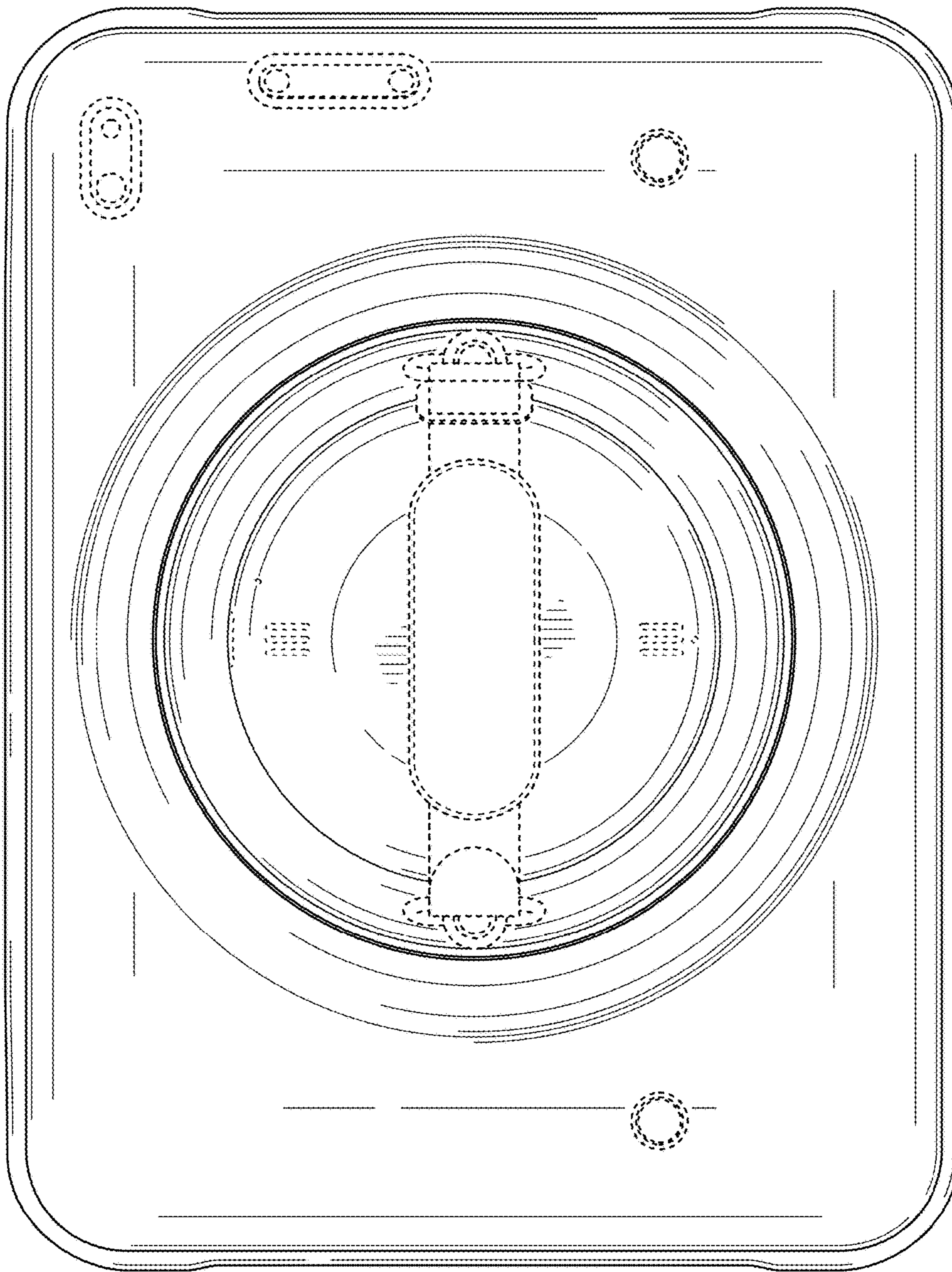


FIG. 4

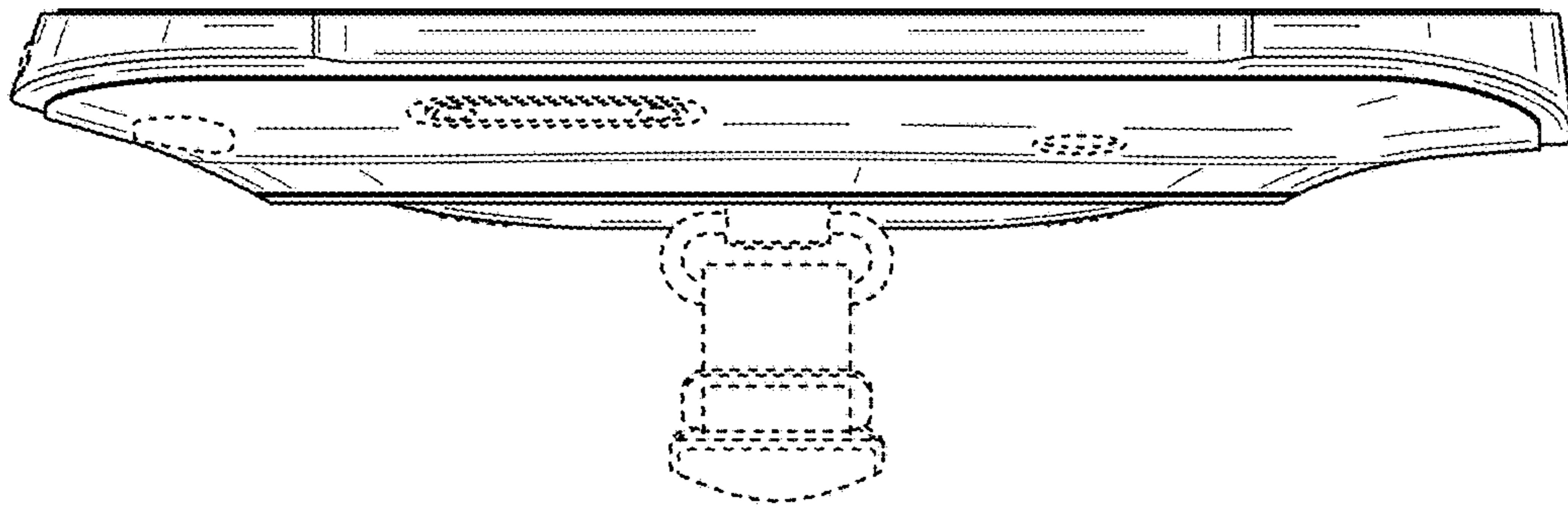


FIG. 6

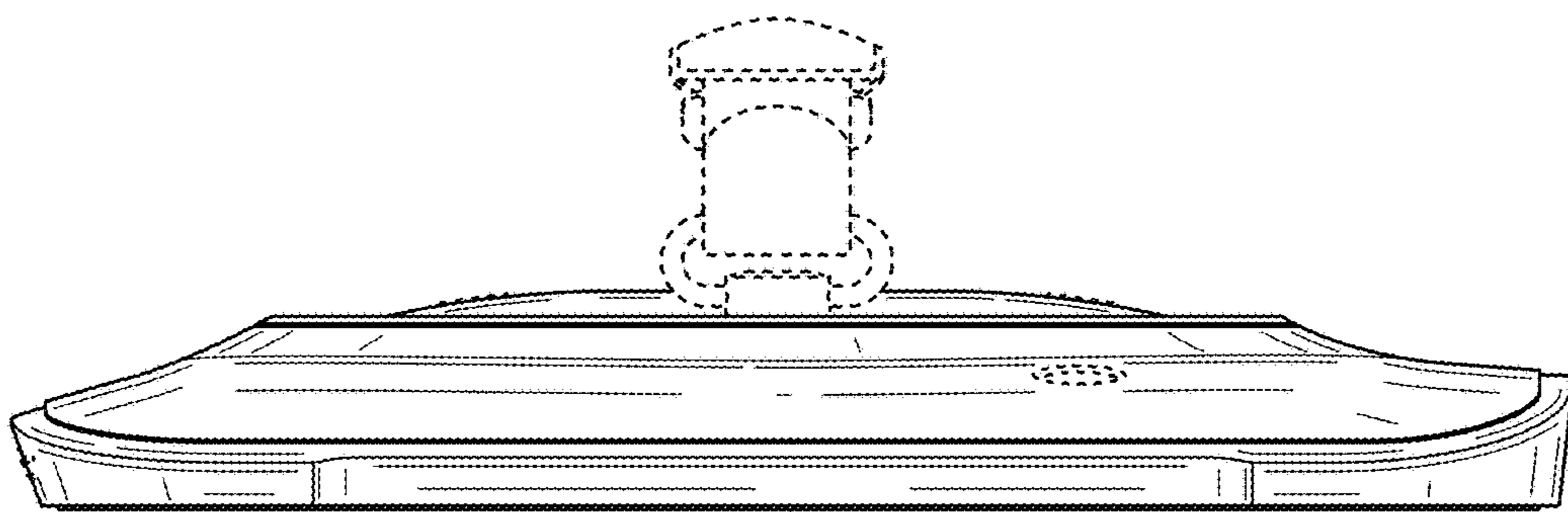


FIG. 5

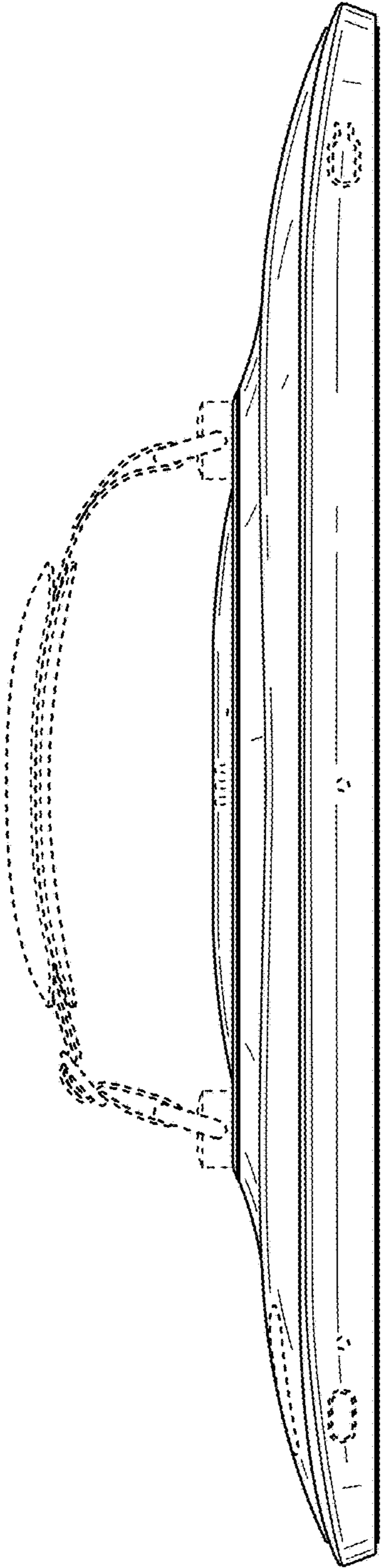


FIG. 7

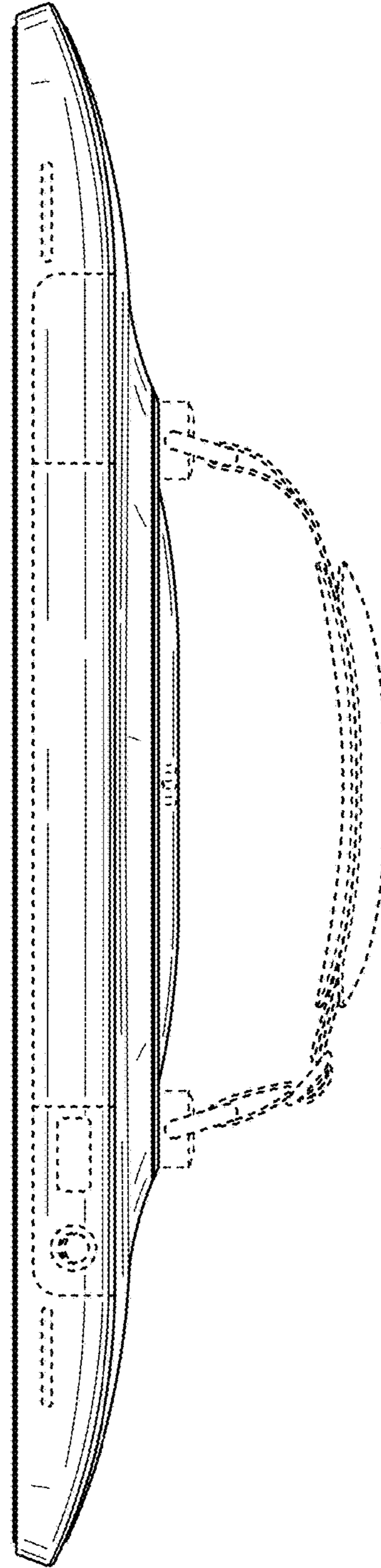


FIG. 8