



US00D783015S

(12) **United States Design Patent**  
**Birnie et al.**

(10) **Patent No.:** **US D783,015 S**

(45) **Date of Patent:** **\*\* Apr. 4, 2017**

- (54) **TERMINAL**
- (71) Applicant: **NCR Corporation**, Duluth, GA (US)
- (72) Inventors: **Steven J. Birnie**, Dundee (GB);  
**Marshall Munro**, Dunfermline (GB);  
**Grant C. Paton**, Dundee (GB);  
**Charles G. V. Rohan**, Edinburgh (GB)
- (73) Assignee: **NCR Corporation**, Duluth, GA (US)
- (\*\*) Term: **15 Years**
- (21) Appl. No.: **29/558,729**
- (22) Filed: **Mar. 21, 2016**
- (51) **LOC (10) Cl.** ..... **14-02**
- (52) **U.S. Cl.**  
USPC ..... **D14/307**
- (58) **Field of Classification Search**  
USPC ..... D14/167, 154, 168, 188, 496, 156, 160,  
D14/161, 162, 163, 164, 165, 158, 253,  
D14/192, 159, 155, 138 AB, 137, 104.1,  
D14/307; 455/351, 350, 353; D10/104,  
D10/106, 65, 78; 340/573.4, 573.1  
CPC ..... G08B 13/1672; G08B 13/19645; G08B  
25/006; H04M 11/04  
See application file for complete search history.

(56) **References Cited**

**U.S. PATENT DOCUMENTS**

- D425,875 S \* 5/2000 Wilson ..... D14/130
- 7,546,957 B2 \* 6/2009 Melnik ..... G06Q 10/02  
235/380

- 8,113,429 B2 \* 2/2012 Craig ..... G06K 7/109  
235/462.32
- D661,293 S \* 6/2012 Kuroda ..... D14/307
- D681,030 S \* 4/2013 Yopez ..... D14/307
- D691,141 S \* 10/2013 Cruz ..... D14/307
- D693,803 S \* 11/2013 Colley ..... D14/307
- D695,285 S \* 12/2013 Smith ..... D14/307
- D707,674 S \* 6/2014 Daniel ..... D14/307
- D725,647 S \* 3/2015 Williams ..... D14/307
- D730,890 S \* 6/2015 Kraft ..... D14/307
- D732,520 S \* 6/2015 Themann ..... D14/307
- D732,522 S \* 6/2015 Chadbourne ..... D14/307
- D734,314 S \* 7/2015 Swaine ..... D14/307
- D743,956 S \* 11/2015 Kraft ..... D14/307
- D751,061 S \* 3/2016 Berini ..... D14/307
- D763,247 S \* 8/2016 Yopez ..... D14/307
- D767,559 S \* 9/2016 Pfeiffer ..... D14/307

\* cited by examiner

*Primary Examiner* — Austin Murphy

(74) *Attorney, Agent, or Firm* — Paul W. Martin

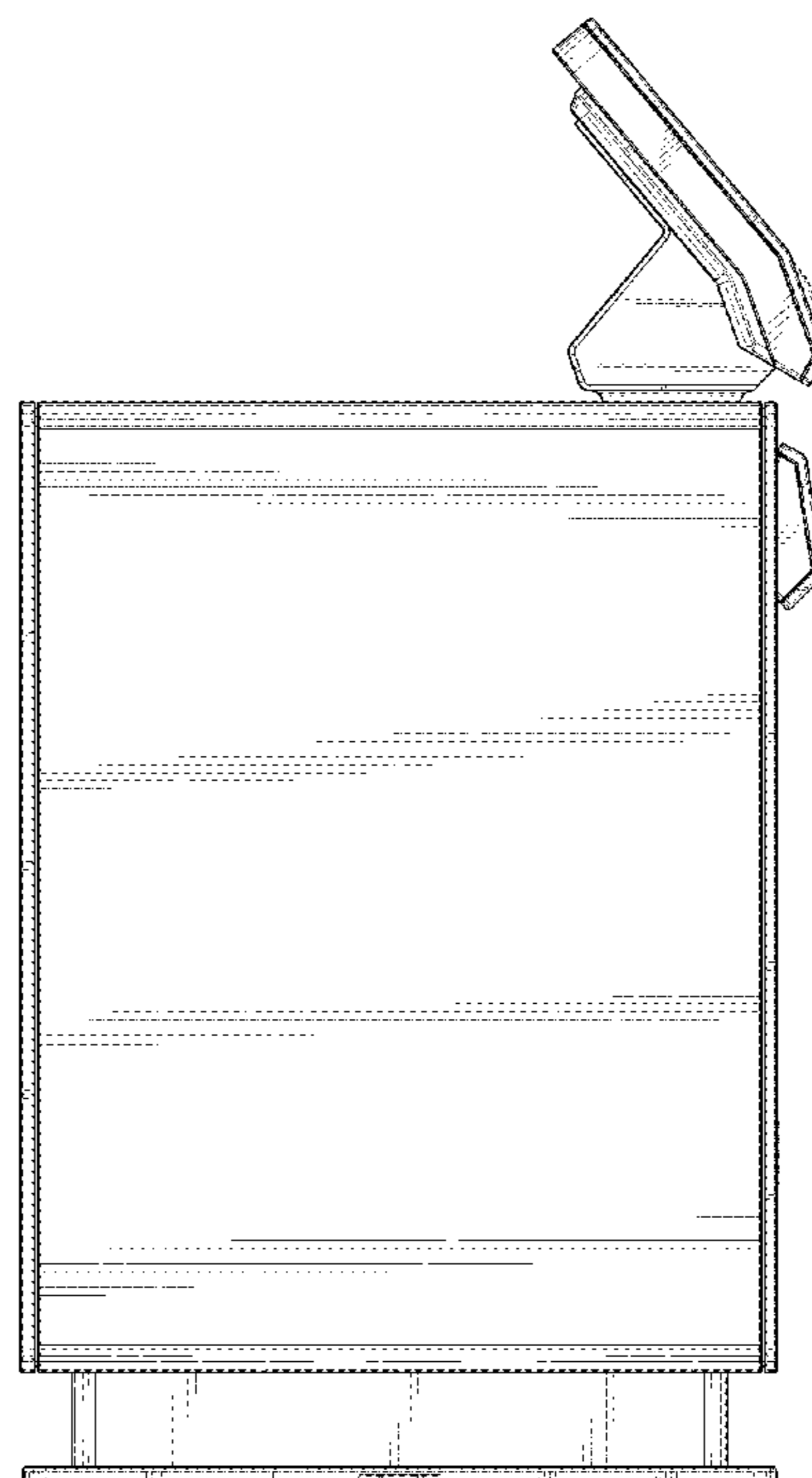
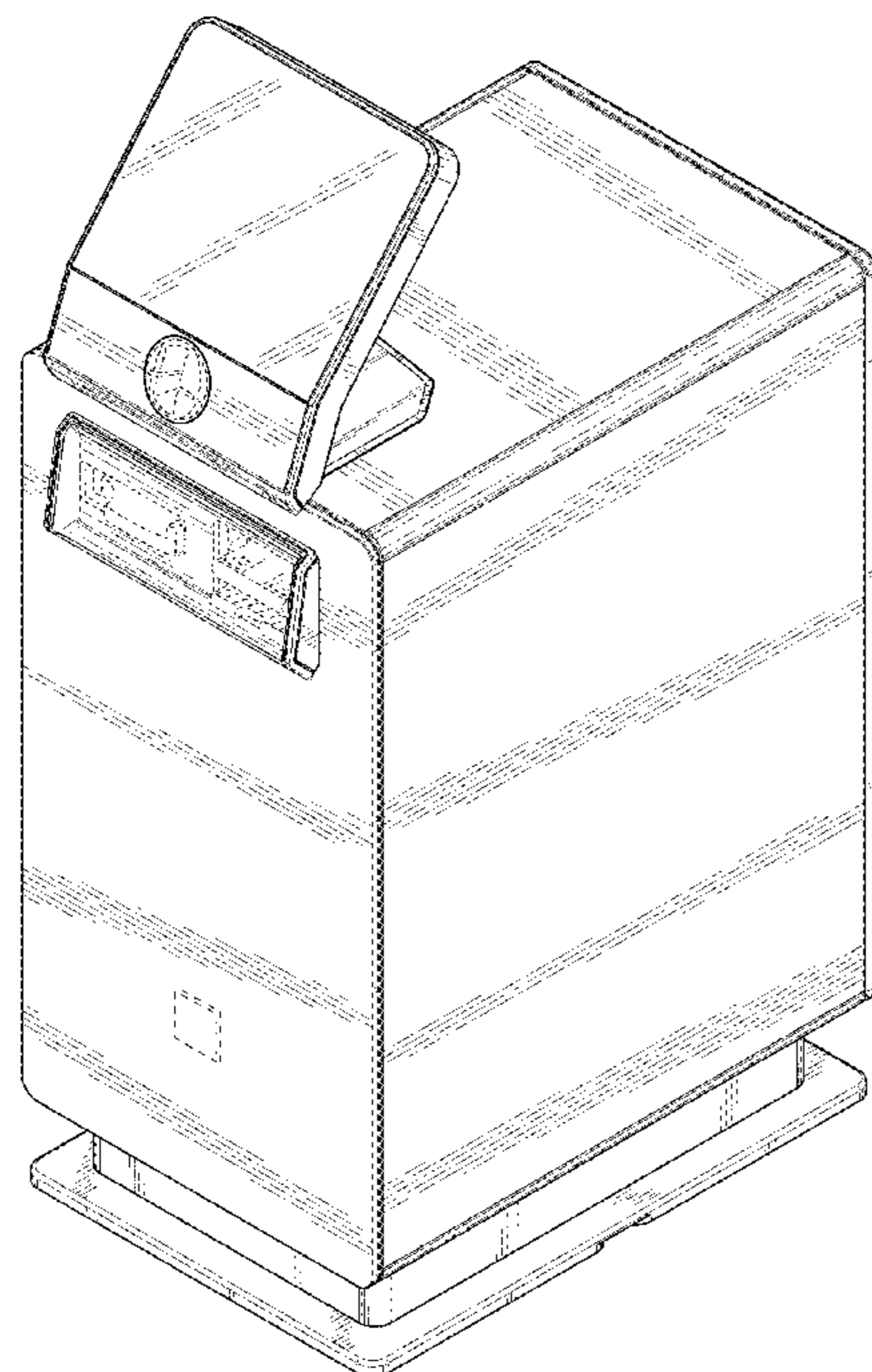
(57) **CLAIM**

The ornamental design for a terminal, as shown and described.

**DESCRIPTION**

FIG. 1 is a front perspective view of a terminal showing our new design;  
 FIG. 2 is a right side view thereof;  
 FIG. 3 is a left side view thereof;  
 FIG. 4 is a front view thereof;  
 FIG. 5 is a rear view thereof;  
 FIG. 6 is a top view thereof; and,  
 FIG. 7 is a bottom.

**1 Claim, 6 Drawing Sheets**



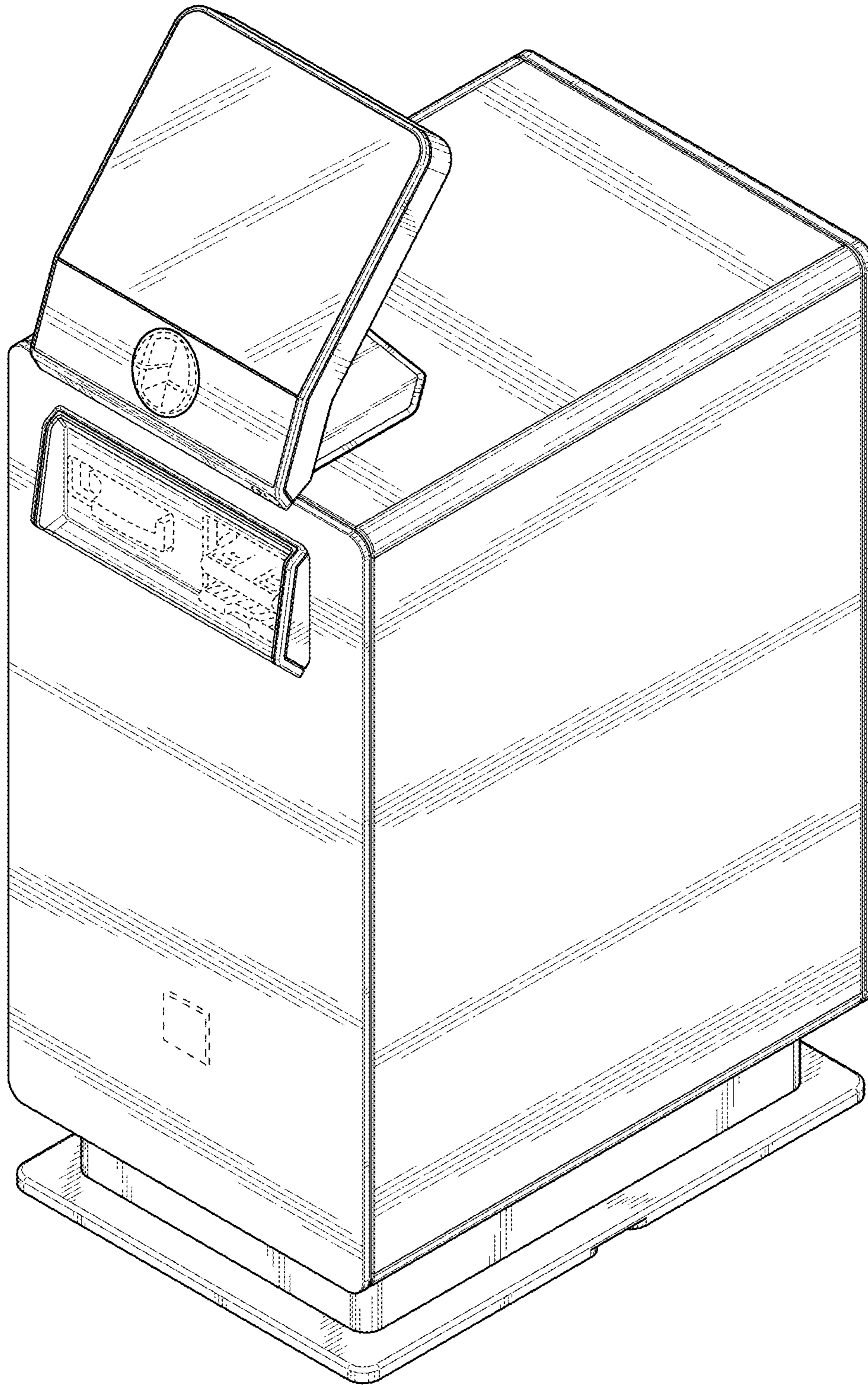


FIG. 1

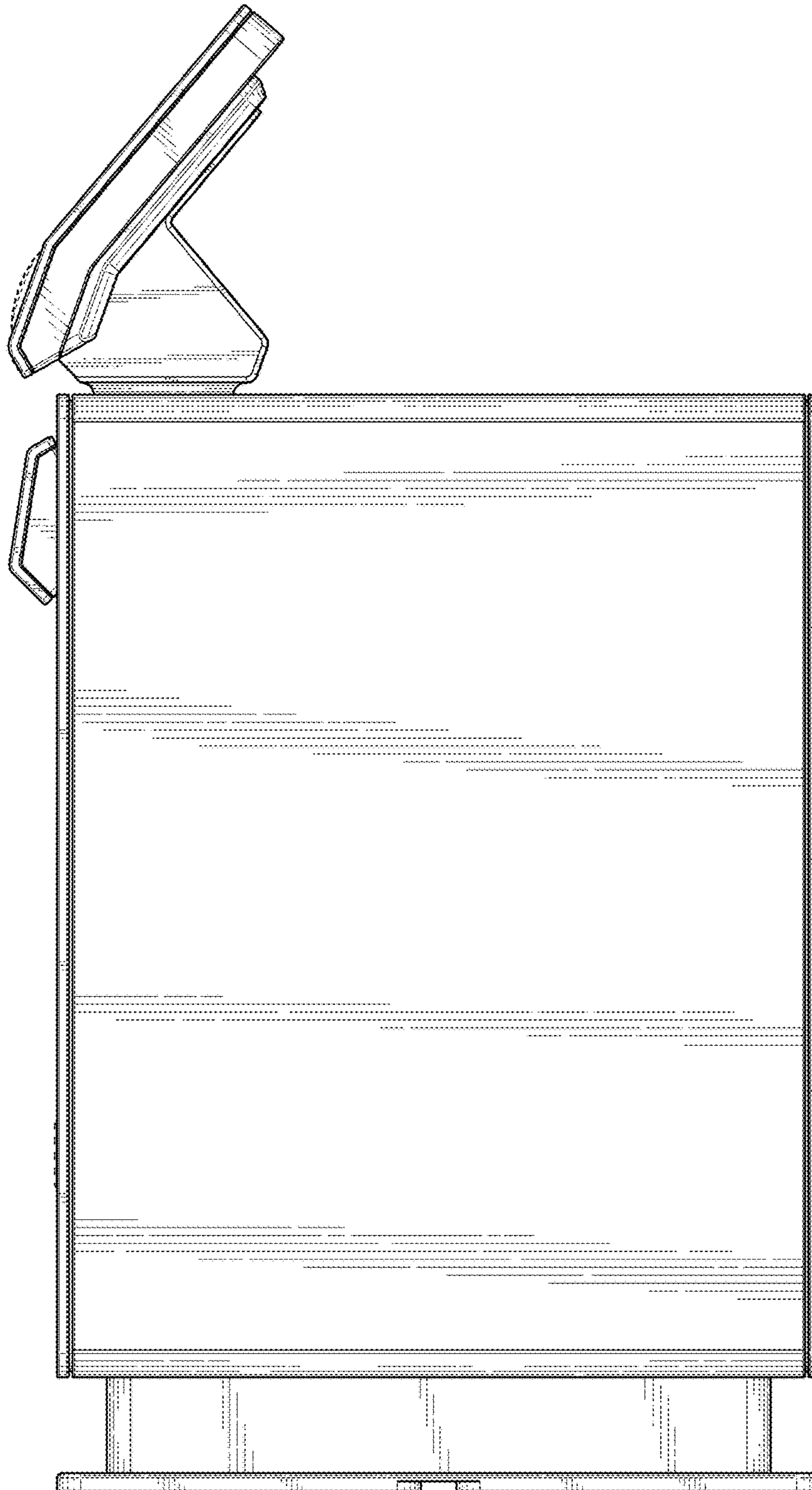


FIG. 2

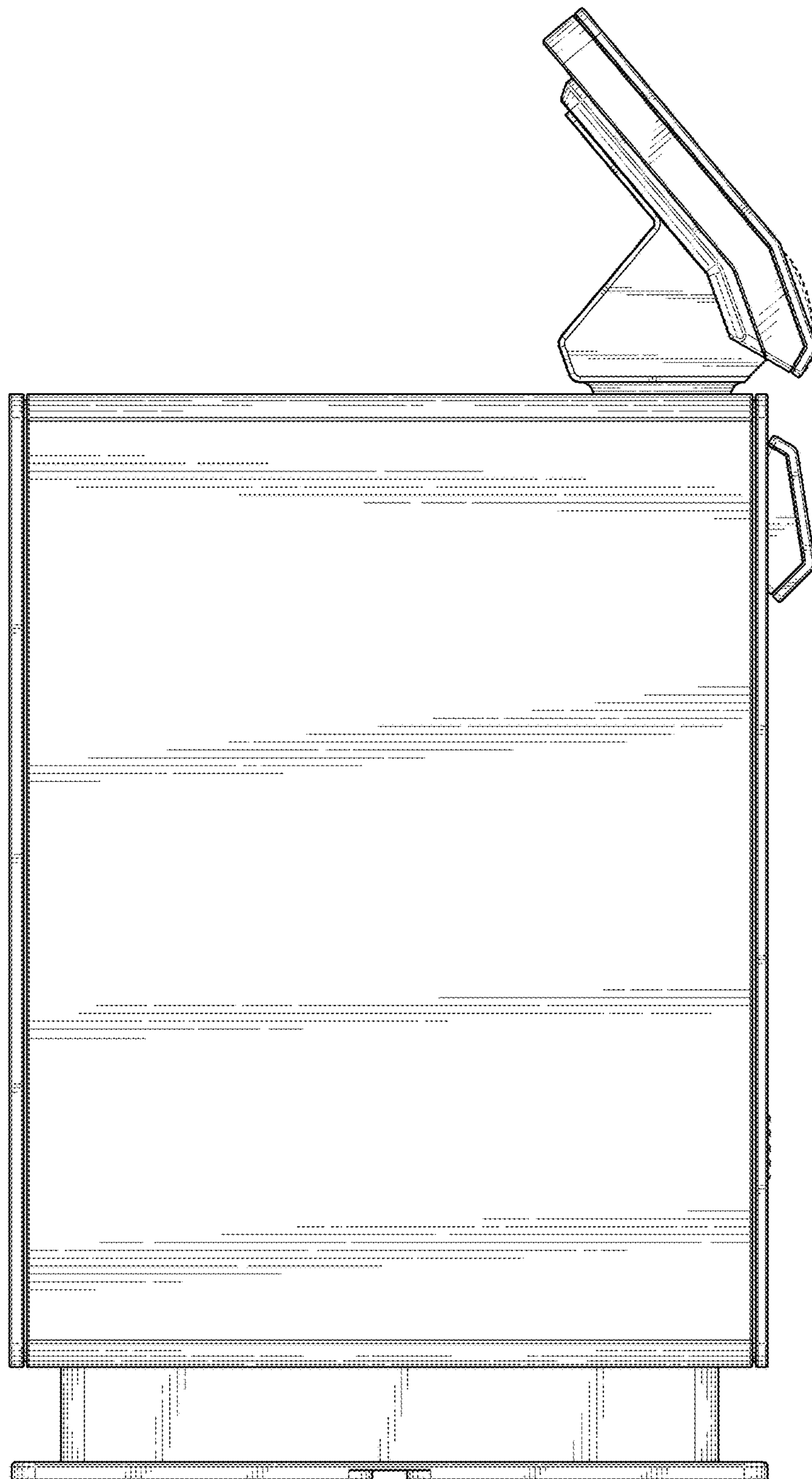


FIG. 3

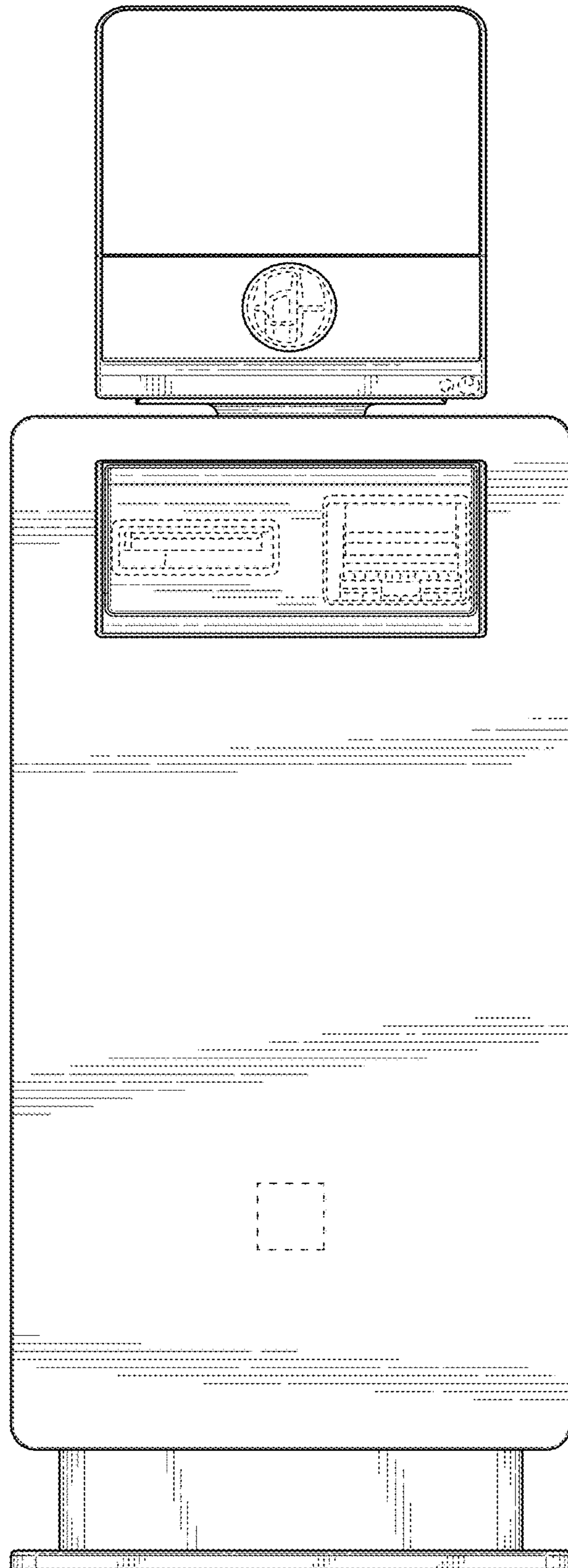


FIG. 4



FIG. 5

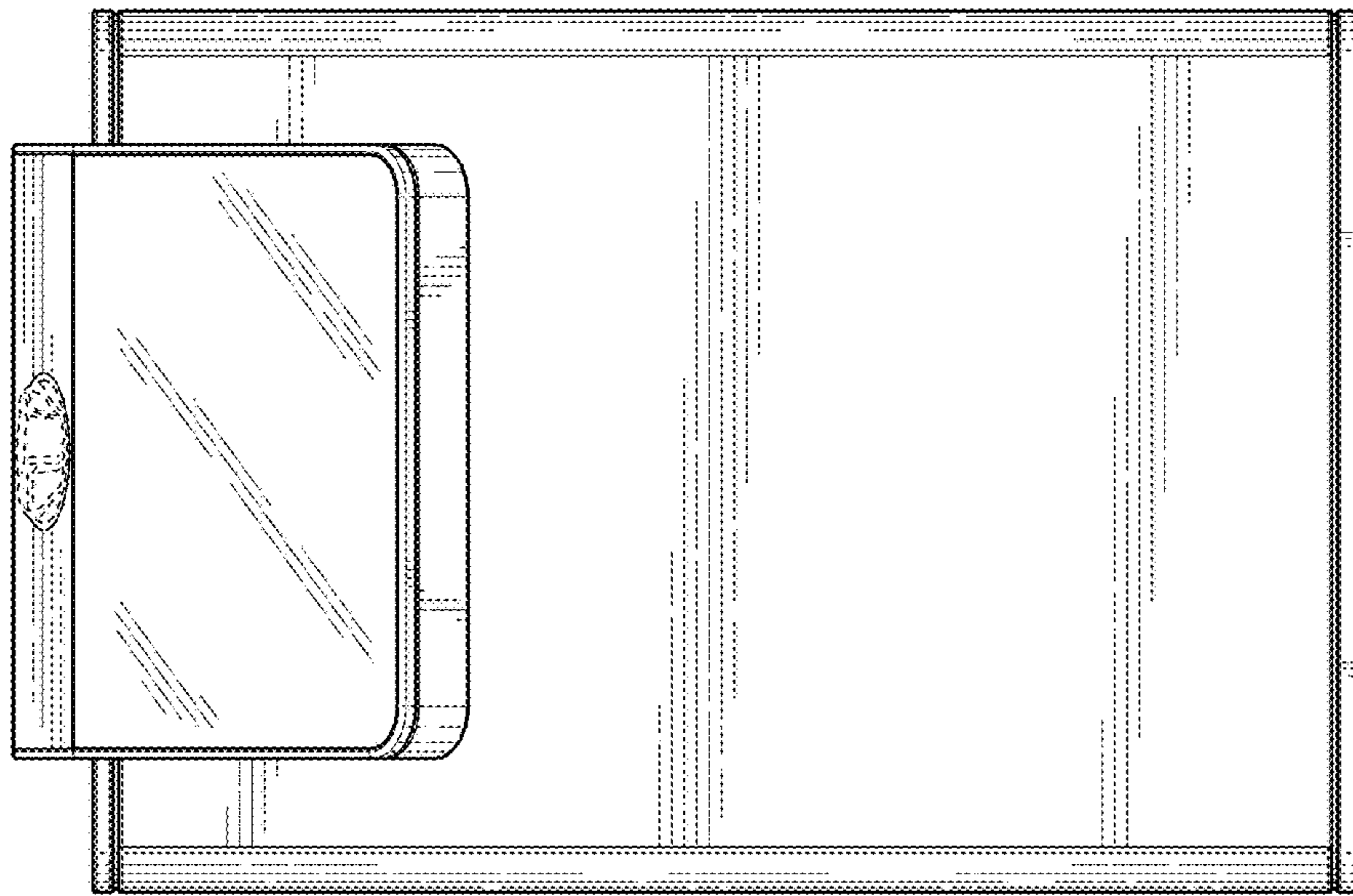


FIG. 6

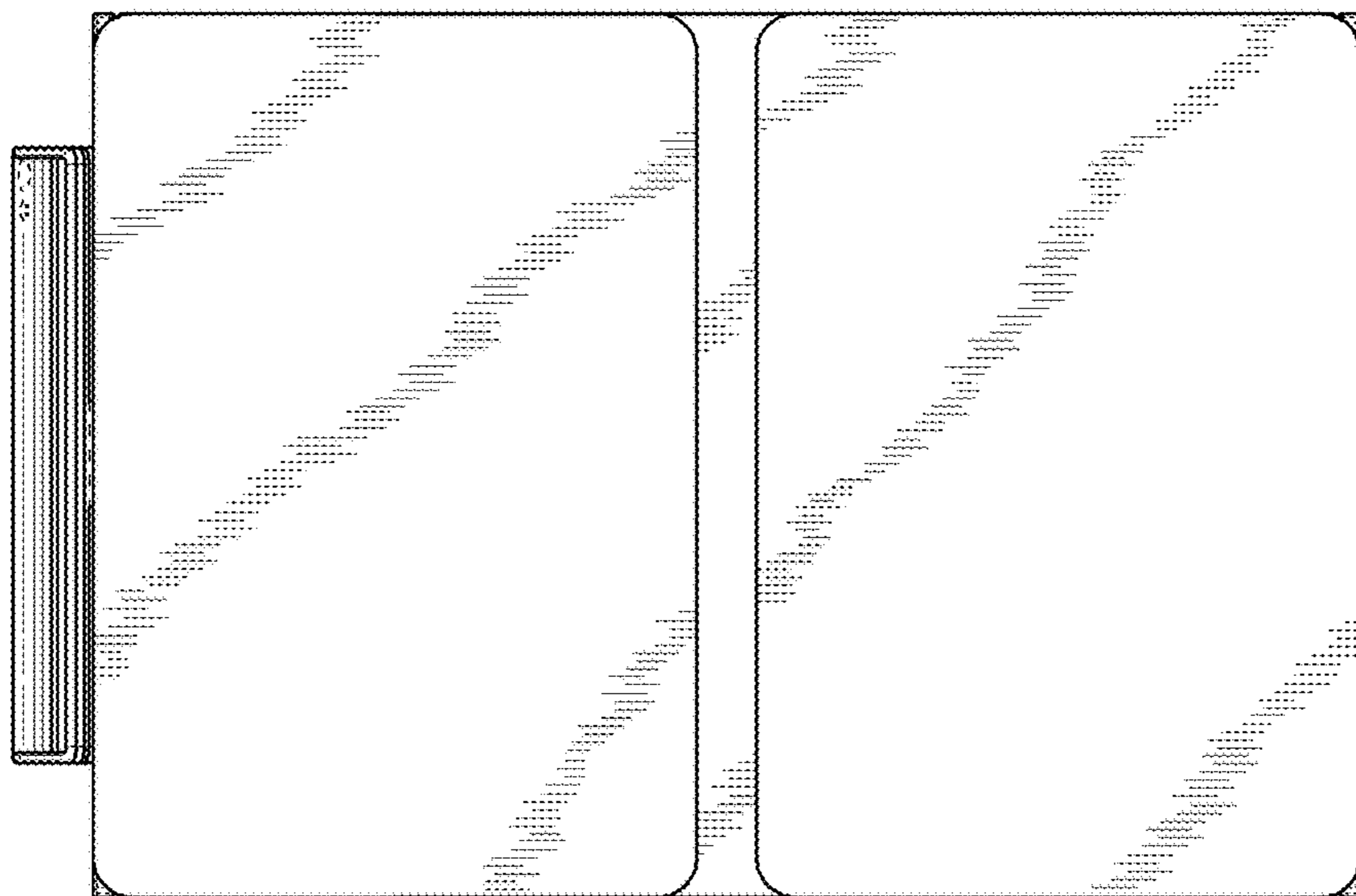


FIG. 7