



US00D783013S

(12) **United States Design Patent**
Chun

(10) **Patent No.:** **US D783,013 S**

(45) **Date of Patent:** **** Apr. 4, 2017**

(54) **ADJUSTABLE VENT CLAMP**

(71) Applicant: **James Chun**, Fremont, CA (US)

(72) Inventor: **James Chun**, Fremont, CA (US)

(**) Term: **15 Years**

(21) Appl. No.: **29/558,826**

(22) Filed: **Mar. 22, 2016**

(51) **LOC (10) Cl.** **14-03**

(52) **U.S. Cl.**

USPC **D14/253**; D14/447

(58) **Field of Classification Search**

USPC D14/253, 432, 434, 440, 447, 439, 451,
D14/452, 457, 250, 251; D12/415, 114,
D12/420, 417, 223; D6/406.3, 406.4,
D6/406.5, 406.6; D3/218

CPC H04M 1/04; H04M 1/06; H04M 1/11;
H04M 1/12; F16M 13/00; B60R 11/00;
B60R 11/02

See application file for complete search history.

(56) **References Cited**

U.S. PATENT DOCUMENTS

D708,603 S *	7/2014	Kim	D14/253
D717,307 S *	11/2014	Chun	D14/447
D718,297 S *	11/2014	Aspinall	D14/253
D718,298 S *	11/2014	Aspinall	D14/253
D732,519 S *	6/2015	Aspinall	D14/253
D733,116 S *	6/2015	Aspinall	D14/253
D750,612 S *	3/2016	Chen	D14/253
D750,633 S *	3/2016	Minn	D14/447
D756,987 S *	5/2016	Taing	D14/253
D765,651 S *	9/2016	Liu	D14/253

D767,555 S *	9/2016	Lee	D14/253
D768,125 S *	10/2016	Kim	D14/253
D769,860 S *	10/2016	Xiao	D14/253
D774,382 S *	12/2016	Richter	D8/355
D775,115 S *	12/2016	Ormsbee	D14/253
D775,116 S *	12/2016	Abrahams	D14/253
2014/0138419 A1 *	5/2014	Minn	B60R 11/0241 224/567
2014/0176062 A1 *	6/2014	Jung	B60R 11/02 320/108
2016/0082893 A1 *	3/2016	Ormsbee	B60R 11/0241 224/558

* cited by examiner

Primary Examiner — Susan Bennett Hattan

Assistant Examiner — Janice Hallmark

(74) *Attorney, Agent, or Firm* — Dean Craine; Marisa Whitaker

(57) **CLAIM**

The ornamental design for an adjustable vent clamp, as shown and described.

DESCRIPTION

FIG. 1 is a rear perspective view of an adjustable vent clamp showing the slide plate expanded.

FIG. 2 is a left side elevational view of the invention.

FIG. 3 is a right side elevation view of the invention.

FIG. 4 is a top plan view of the invention.

FIG. 5 is a bottom plan view of the invention.

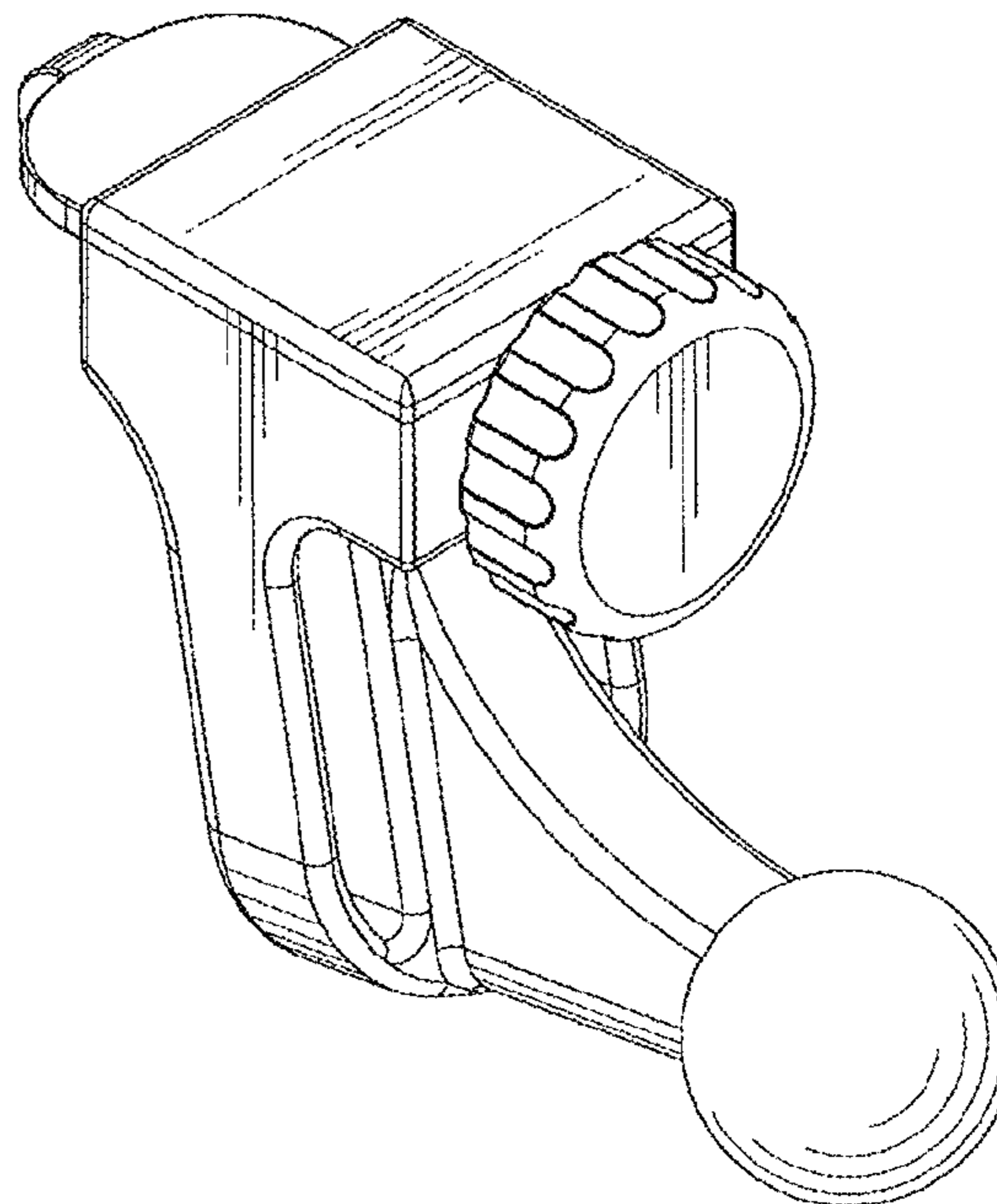
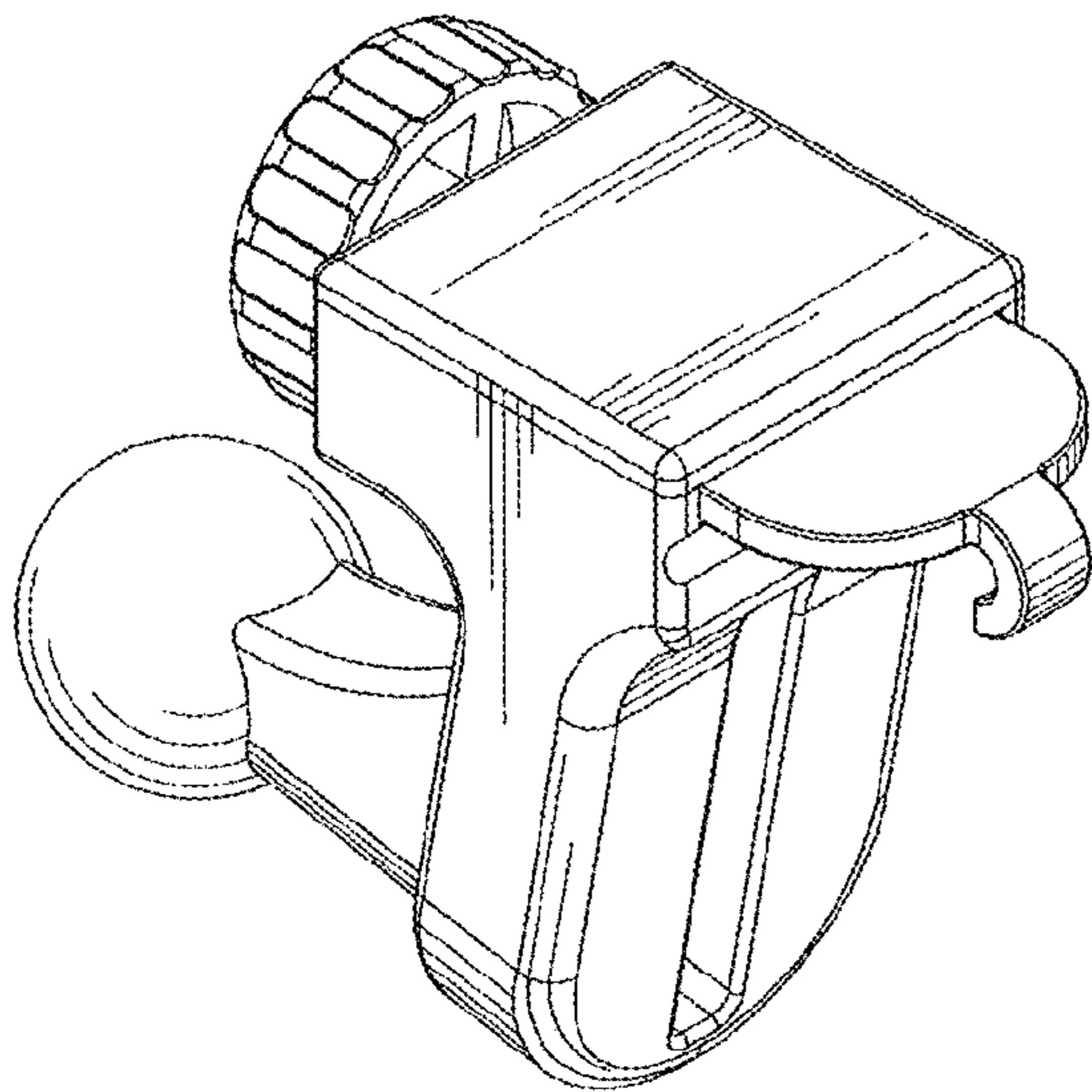
FIG. 6 is a rear elevational view of the invention.

FIG. 7 is a front elevational view of the invention.

FIG. 8 is a rear perspective view of an adjustable vent clamp showing the slide plate retracted; and,

FIG. 9 is a front perspective view of an adjustable vent clamp showing the slide plate retracted.

1 Claim, 3 Drawing Sheets



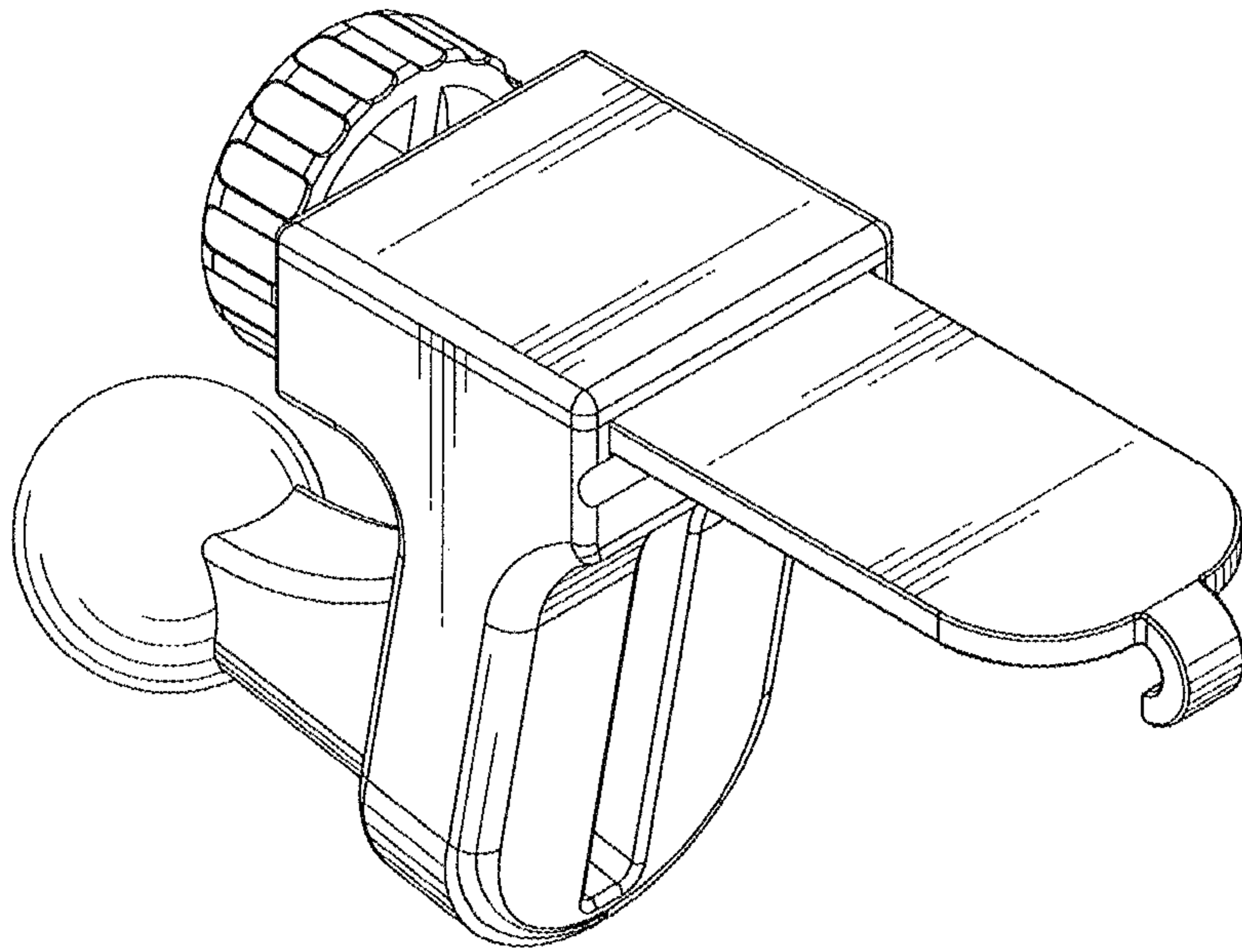


Fig. 1

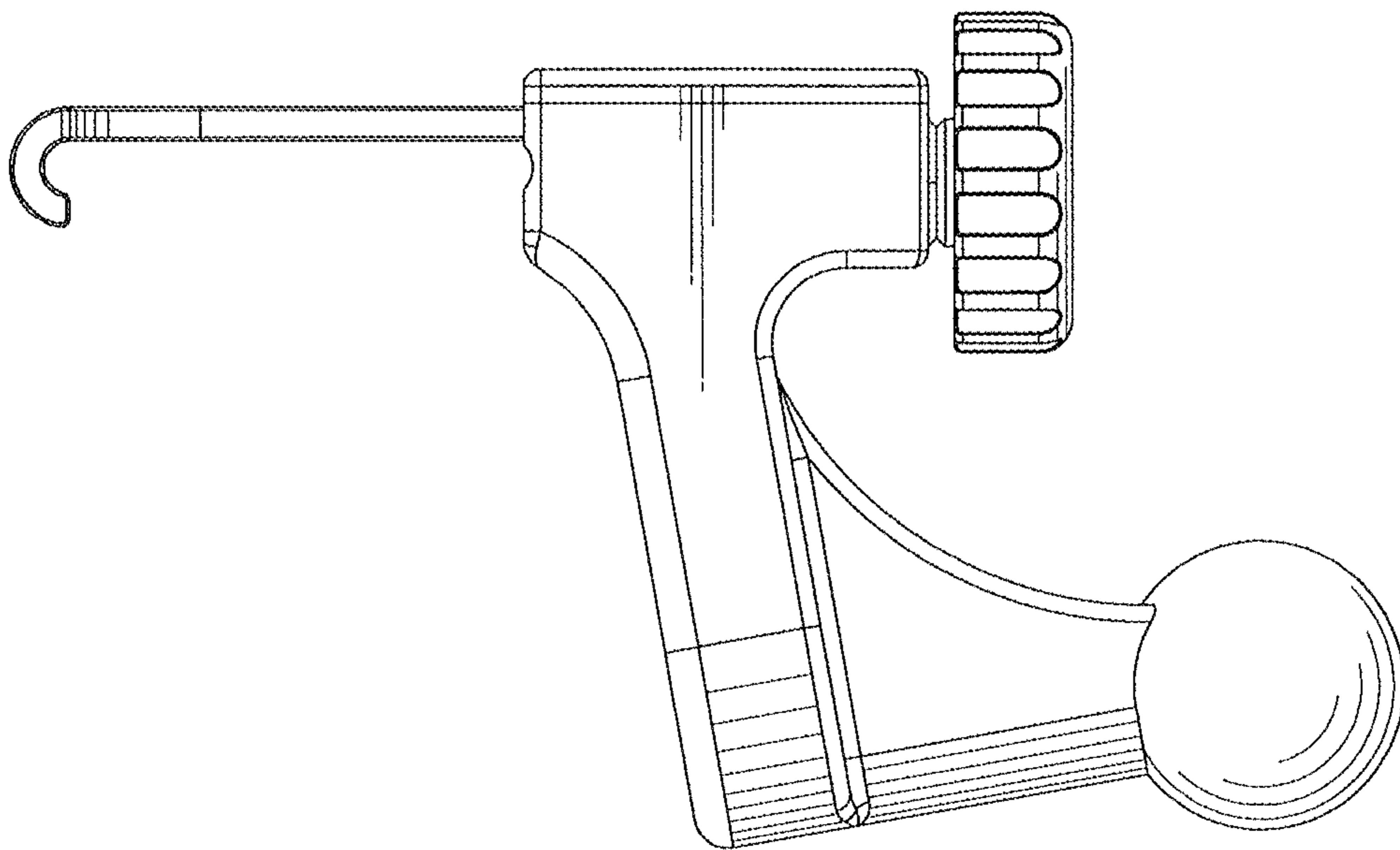


Fig. 2

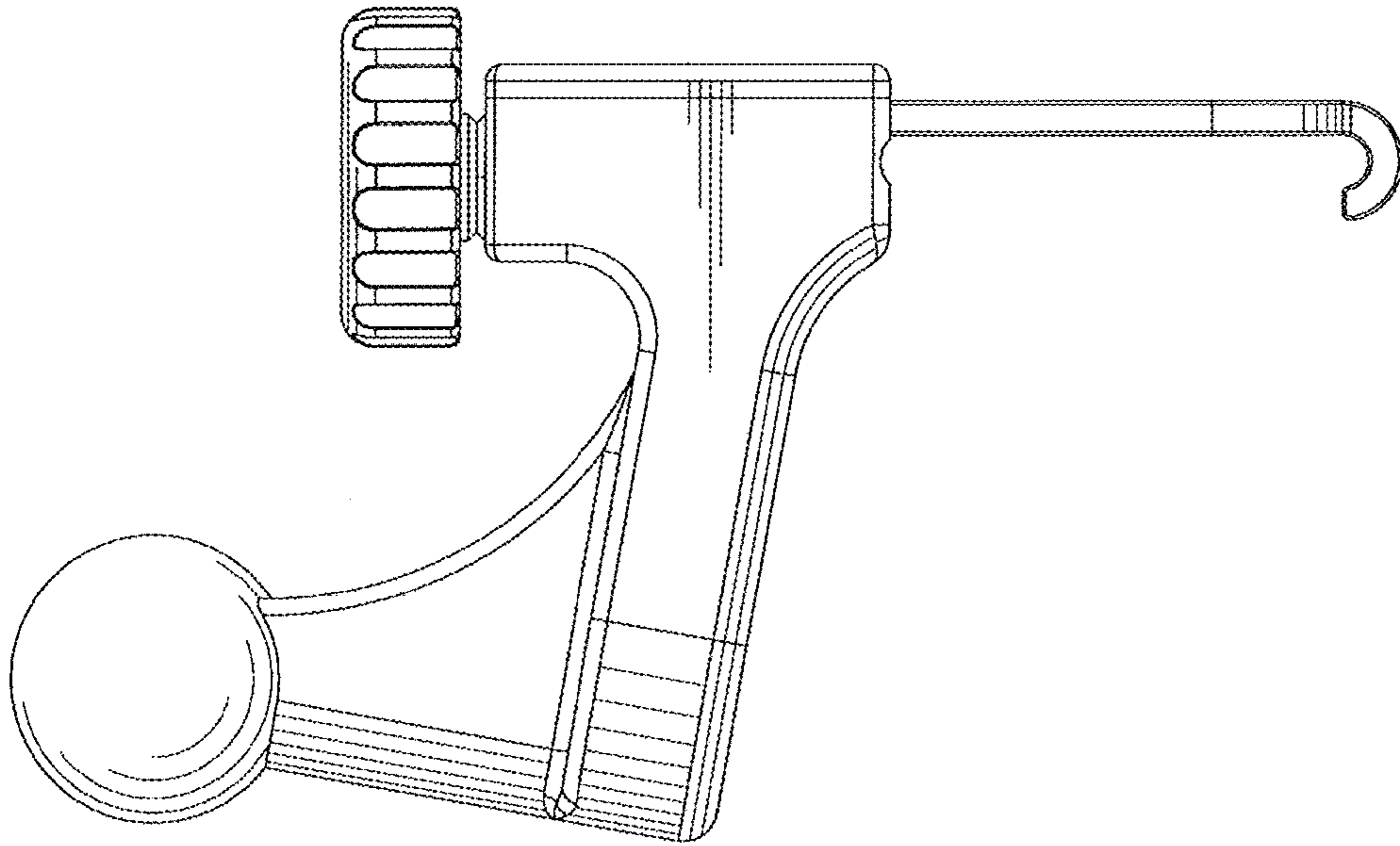


Fig. 3

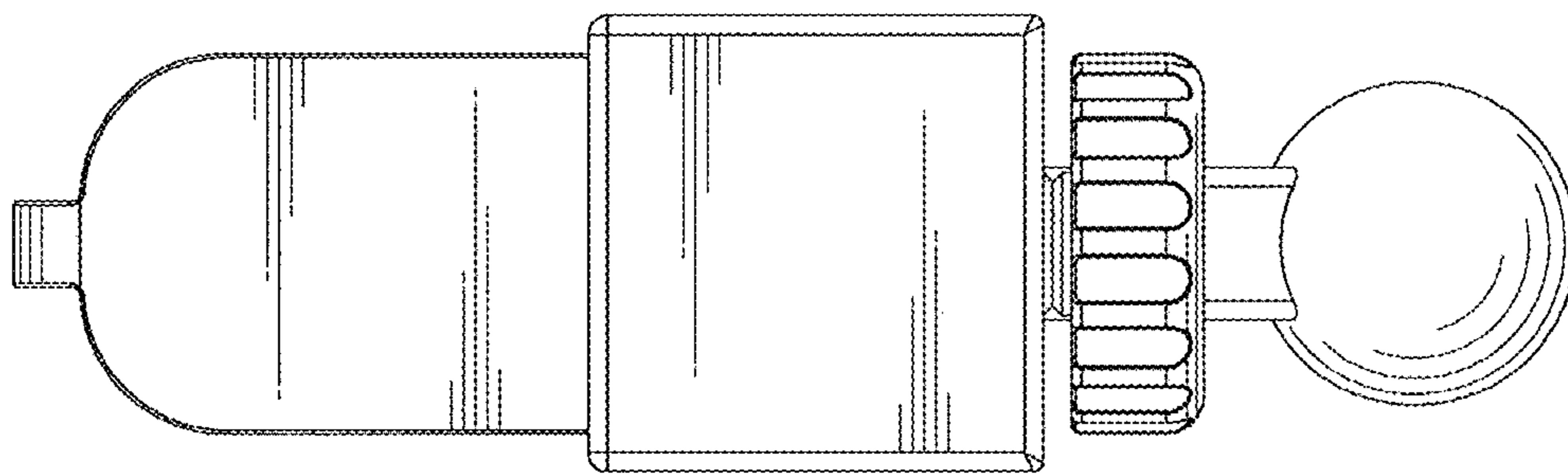


Fig. 4

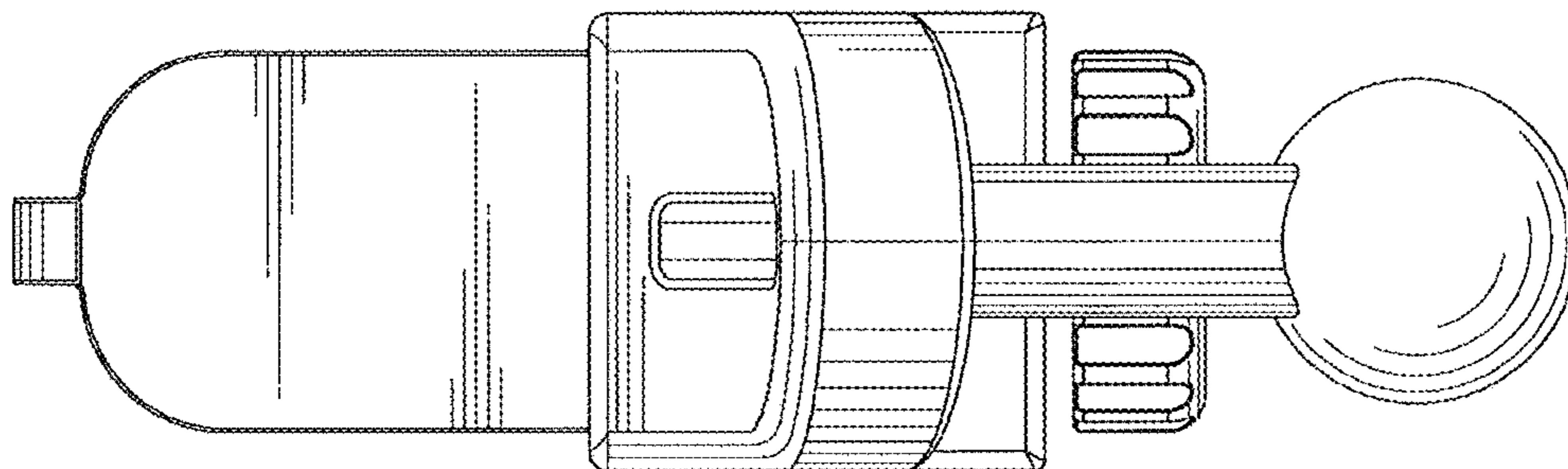


Fig. 5

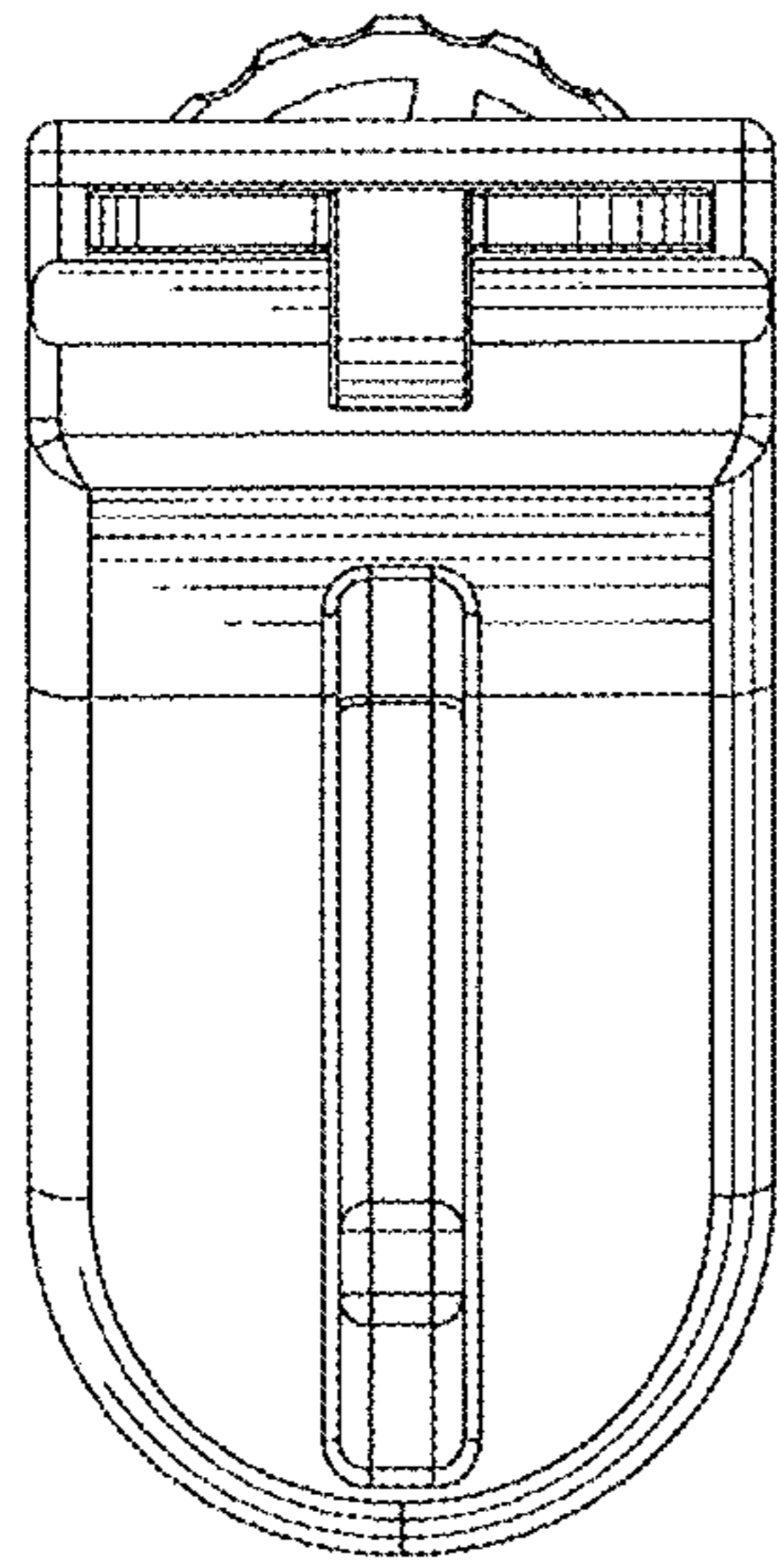


Fig. 6

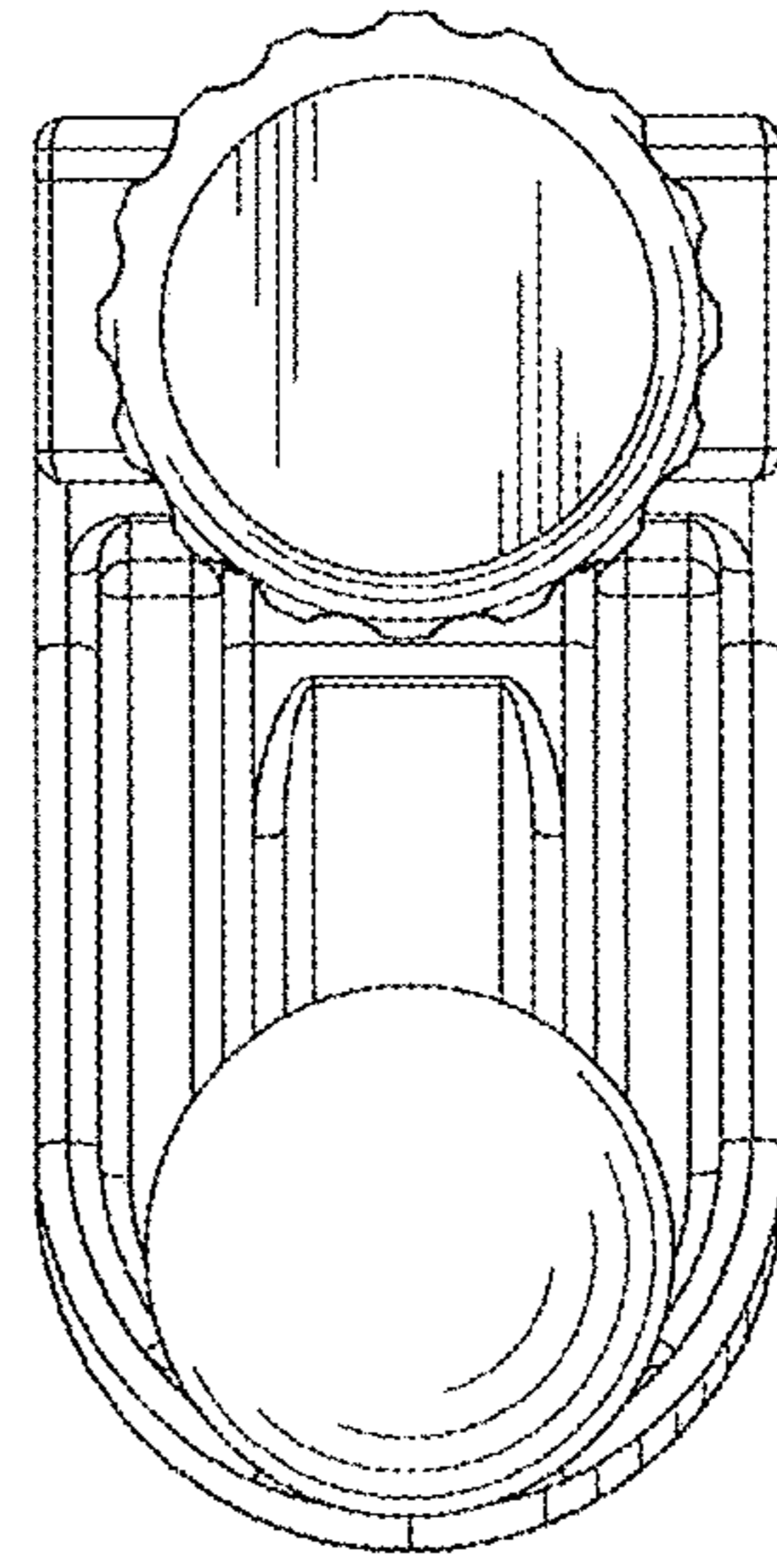


Fig. 7

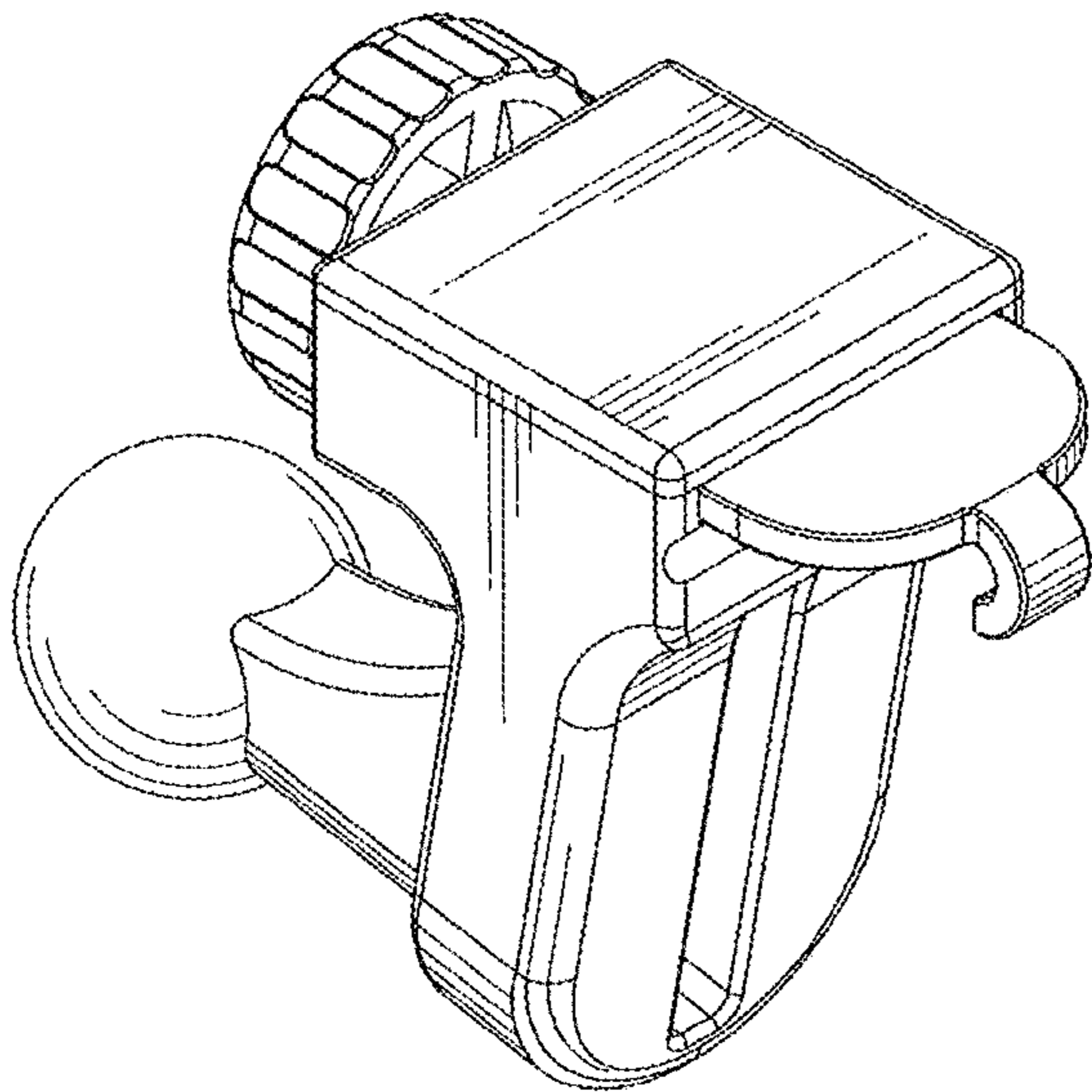


Fig. 8

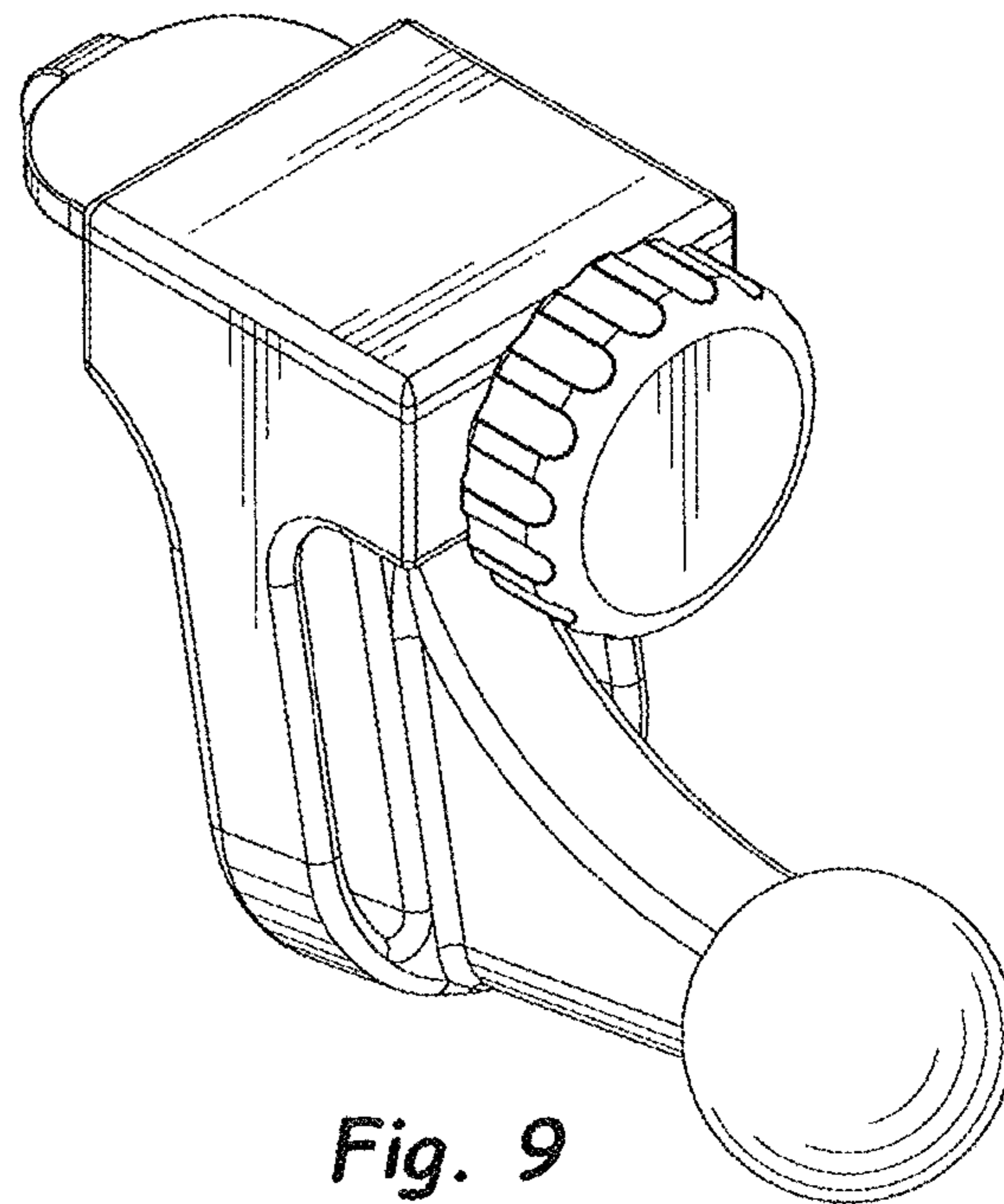


Fig. 9