



US00D783012S

(12) **United States Design Patent** (10) **Patent No.:** **US D783,012 S**  
**Lee** (45) **Date of Patent:** **\*\* Apr. 4, 2017**

(54) **MOBILE DEVICE HOLDER**

(71) Applicant: **Tone Layout LLC**, East Rutherford, NJ (US)

(72) Inventor: **Jong Hyuk Lee**, East Rutherford, NJ (US)

(73) Assignee: **Tone Layout LLC**, East Rutherford, NJ (US)

(\*\*) Term: **15 Years**

(21) Appl. No.: **29/547,987**

(22) Filed: **Dec. 9, 2015**

(51) **LOC (10) Cl.** ..... **14-03**

(52) **U.S. Cl.**  
USPC ..... **D14/253**

(58) **Field of Classification Search**  
USPC ..... D14/253, 251, 252, 447, 451, 452, 440, D14/434, 458, 432, 439, 457, 460, 238.1, D14/140, 142, 149, 217, 148, 140.8, D14/140.11, 209.1, 151, 140.9, 250, 238; D13/107, 108; D12/415, 223, 114, 420, D12/417, 407, 177; D3/218; D16/242-245, 250, 237, 203, 214, 219; D8/349; D6/675, 672, 673, 675.4, 553, D6/676, 310, 406.3, 406.4, 406.5, 406.6, D6/407, 567, 300, 682.3; 248/459, 460; 224/483  
CPC ..... B60R 2011/0008; B60R 11/02; B60R 11/0241; B60R 11/0258; B60R 11/0252; B60R 2011/0294; F16M 11/00; F16M 11/04; F16M 11/041; F16M 11/02; F16M 11/06; F16M 13/00; H04M 1/02; H04M 1/04; H04M 1/11; H04M 1/12; A47F 7/022; B62J 11/00; H05K 7/00; G03B 17/56

See application file for complete search history.

(56) **References Cited**

U.S. PATENT DOCUMENTS

D690,707 S *	10/2013	Minn	.....	D14/447
D716,215 S *	10/2014	Dunn	.....	D12/415
D733,115 S *	6/2015	Aspinall	.....	D14/253
D750,612 S *	3/2016	Chen	.....	D14/253
D750,633 S *	3/2016	Minn	.....	D14/447
D765,651 S *	9/2016	Liu	.....	D14/253
D767,556 S *	9/2016	Lee	.....	D12/415
D768,125 S *	10/2016	Kim	.....	D14/253
D769,860 S *	10/2016	Xiao	.....	D14/253
2011/0163143 A1 *	7/2011	Zanetti	.....	B60R 11/02 224/567
2014/0138419 A1 *	5/2014	Minn	.....	B60R 11/0241 224/567

\* cited by examiner

*Primary Examiner* — Susan Bennett Hattan

*Assistant Examiner* — Janice Hallmark

(74) *Attorney, Agent, or Firm* — John H. Choi, Esq.

(57) **CLAIM**

The ornamental design for a mobile device holder, as shown and described.

**DESCRIPTION**

FIG. 1 is a perspective view of a mobile device holder of the present invention;  
FIG. 2 is a front view of the mobile device holder shown in FIG. 1;  
FIG. 3 is a rear view of the mobile device holder shown in FIG. 1;  
FIG. 4 is a right side view of the mobile device holder shown in FIG. 1, the left side view being a mirror image of that which is shown;  
FIG. 5 is a top view of the mobile device holder shown in FIG. 1; and,  
FIG. 6 is a bottom view of the mobile device holder shown in FIG. 1.

**1 Claim, 5 Drawing Sheets**

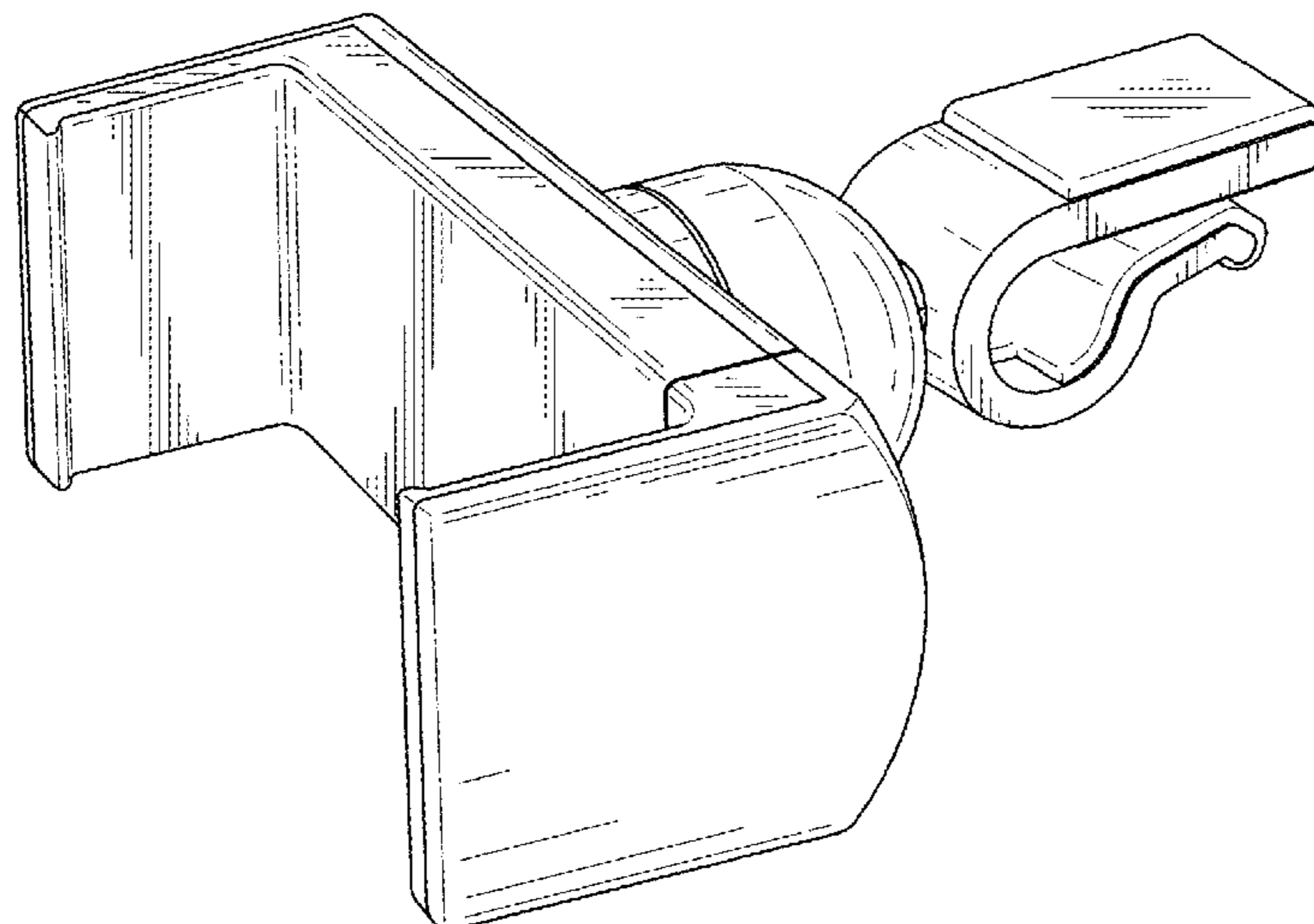
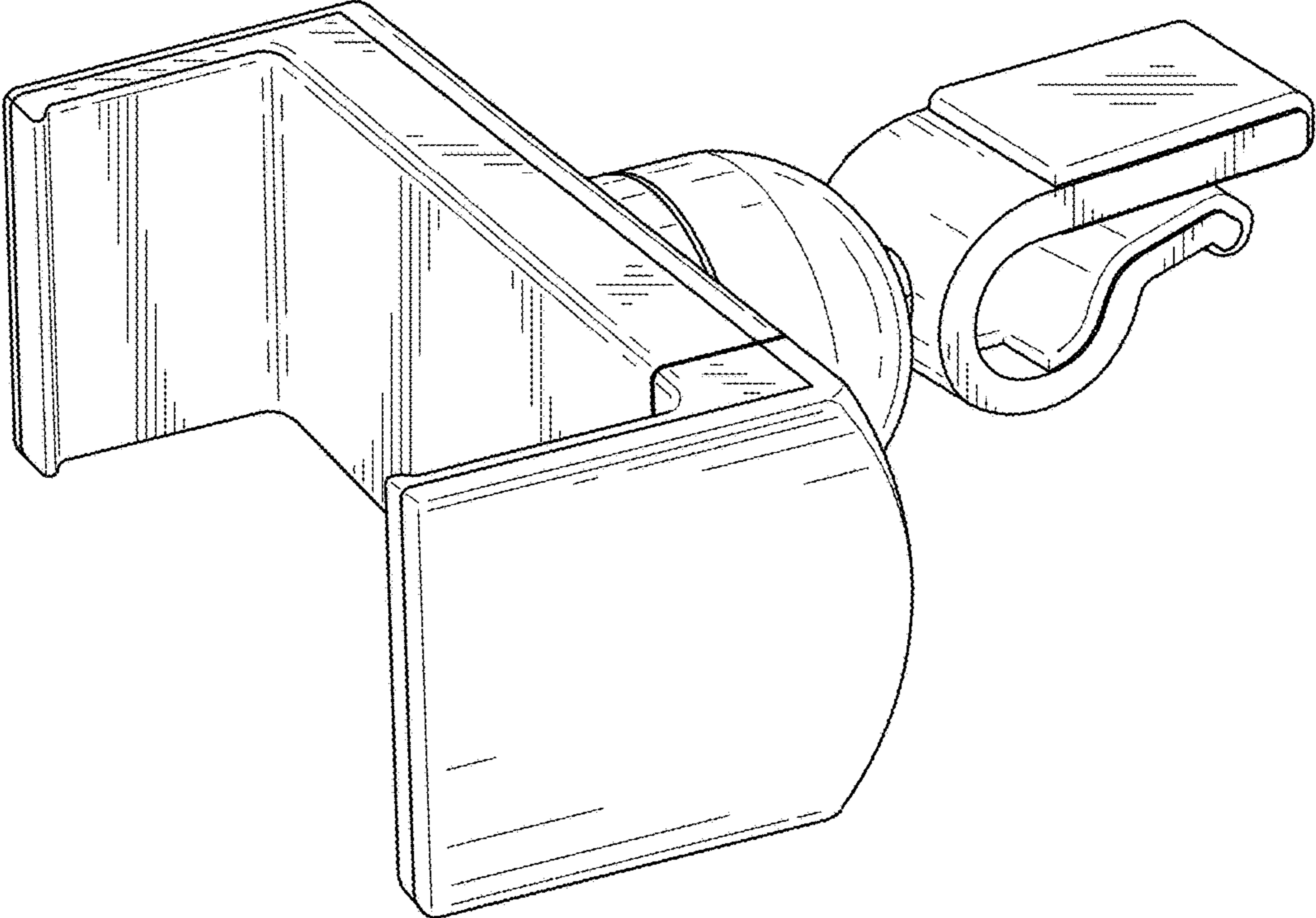
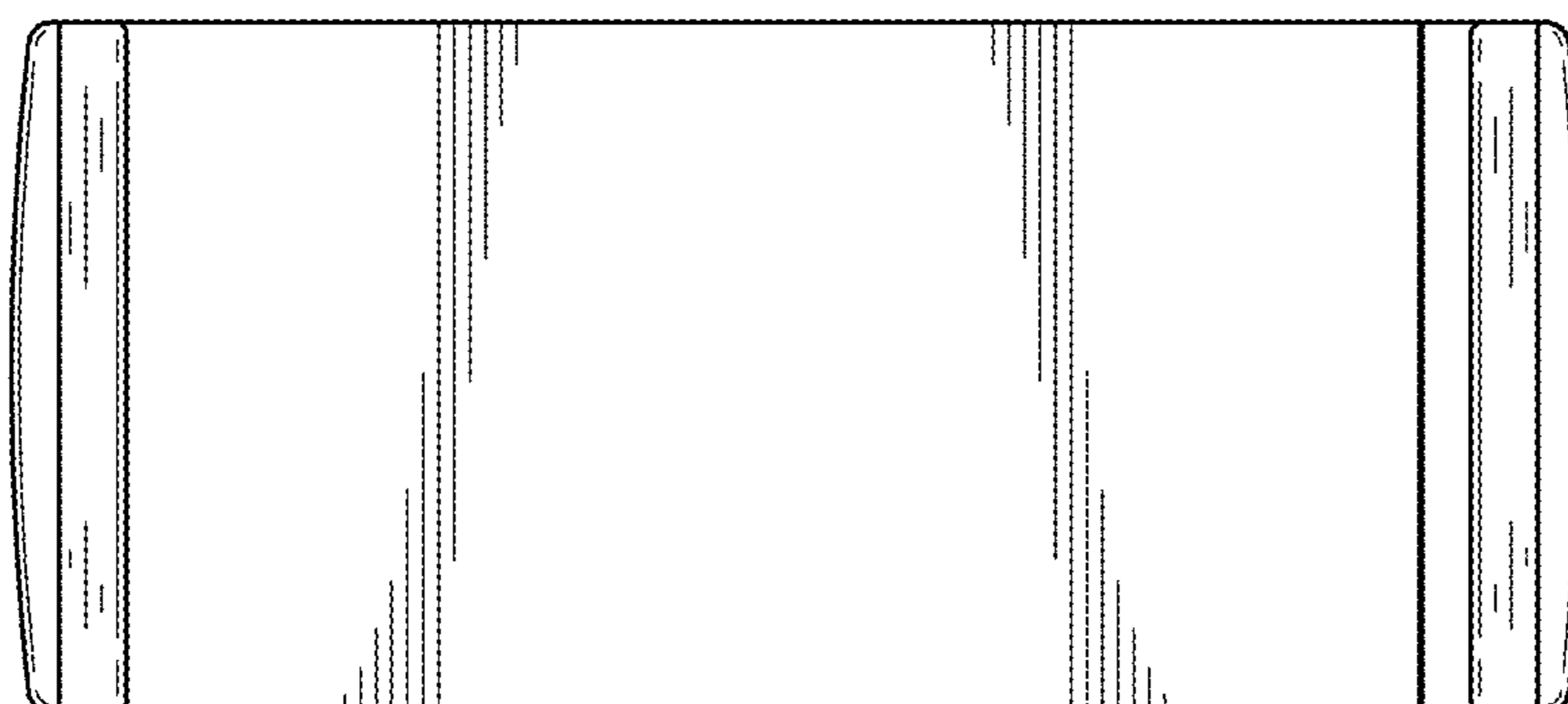


FIG. 1



*FIG. 2*



*FIG. 3*

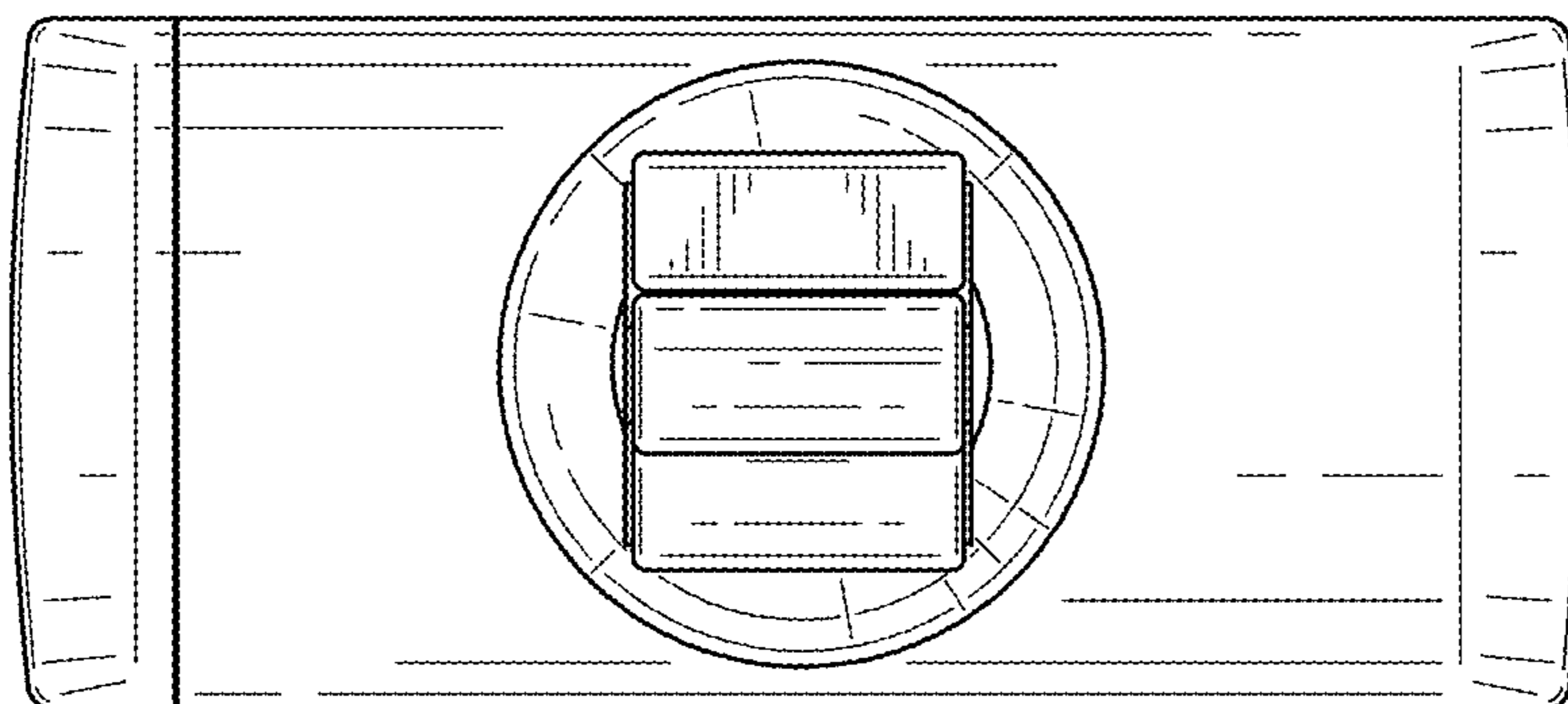
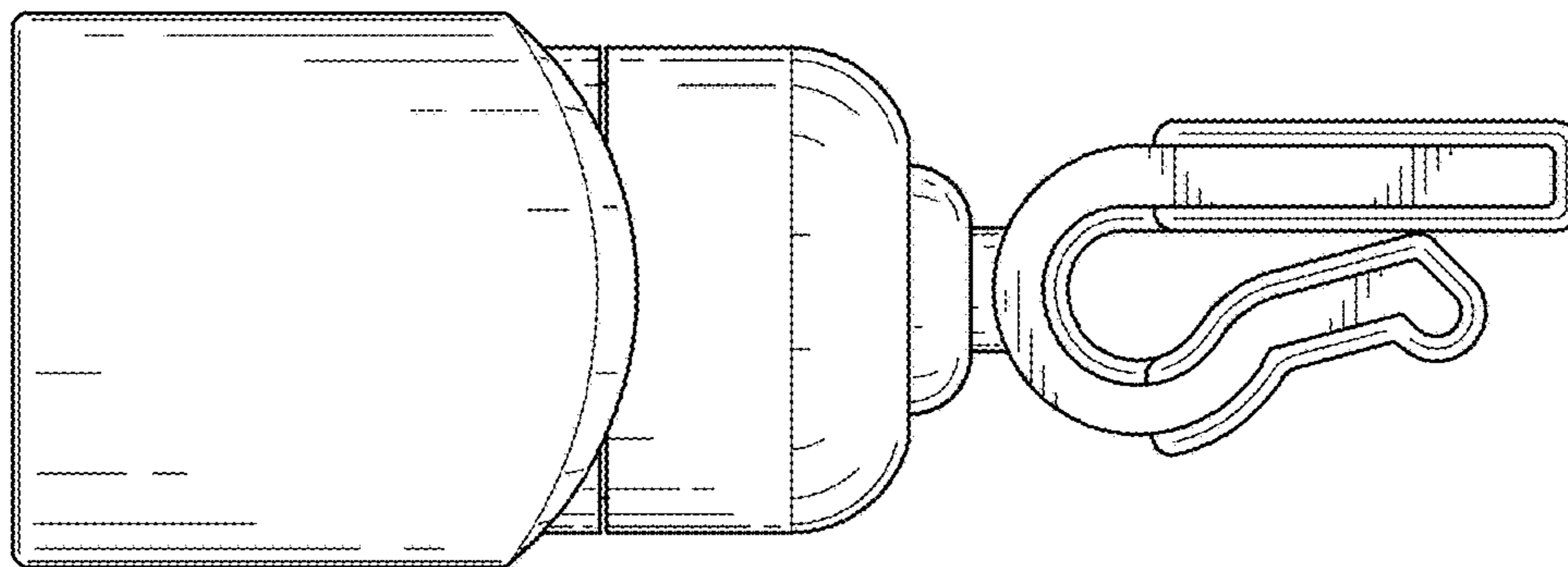
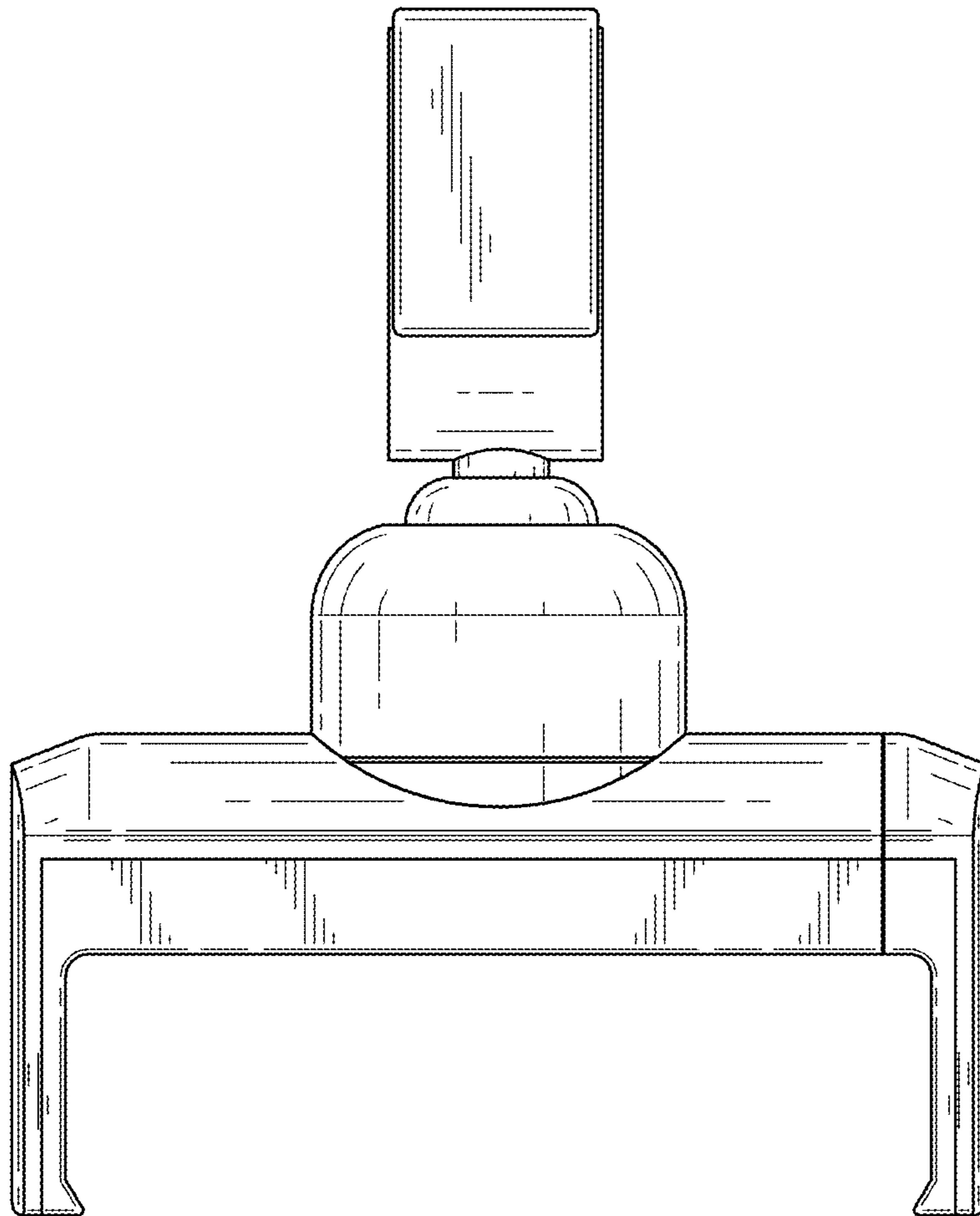


FIG. 4



*FIG. 5*



*FIG. 6*

