



US00D783009S

(12) **United States Design Patent** (10) **Patent No.:** **US D783,009 S**  
**Moore** (45) **Date of Patent:** **\*\* Apr. 4, 2017**

(54) **CURVED PHONE**

(71) Applicant: **Margarita Moore**, Cincinnati, OH (US)

(72) Inventor: **Margarita Moore**, Cincinnati, OH (US)

(\*\*) Term: **15 Years**

(21) Appl. No.: **29/505,268**

(22) Filed: **Aug. 18, 2015**

(51) **LOC (10) Cl.** ..... **14-03**

(52) **U.S. Cl.**  
USPC ..... **D14/248**

(58) **Field of Classification Search**  
USPC ..... D14/130, 138, 138 AA, 140.7, 140.8,  
D14/142, 144, 147, 149-151, 155, 158,  
D14/188, 217, 226, 229, 248; D12/18  
CPC ..... H04M 1/00; H04M 1/003; H04M 1/02;  
H04M 1/04; H04M 1/21; H04M 1/725  
See application file for complete search history.

(56) **References Cited**

**U.S. PATENT DOCUMENTS**

D282,542 S *	2/1986	Mo	379/436
D346,171 S *	4/1994	Ratcliffe	D14/248
D347,439 S *	5/1994	Vananderoye	D14/299
D430,152 S *	8/2000	Raz	D14/248
D442,931 S *	5/2001	Lewis	D14/147

D470,118 S *	2/2003	Miles	D14/144
D499,724 S *	12/2004	Weidinger	D14/248
D530,298 S *	10/2006	Rose	D14/138 R
D597,059 S *	7/2009	Haspil	D14/147
D634,726 S *	3/2011	Harden	D14/147
D648,330 S *	11/2011	Fischer	D14/226
D710,362 S *	8/2014	Kaminsky	D14/420
D727,882 S *	4/2015	Jeon	D14/248
D734,308 S *	7/2015	Jeon	D14/248
D751,549 S *	3/2016	Park	D10/38
9,462,634 B1 *	10/2016	Moore	H04W 88/06

\* cited by examiner

*Primary Examiner* — George D Kirschbaum

*Assistant Examiner* — Joseph Kukella

(57) **CLAIM**

I claim the ornamental design for a curved phone, as shown and described.

**DESCRIPTION**

FIG. 1: is a perspective view of my ornamental design for a curved phone;

FIG. 2: is a top view thereof;

FIG. 3: is a left side view thereof;

FIG. 4: is a right side view thereof; and,

FIG. 5: is a bottom view thereof.

In the drawings, the broken lines depict environment subject matter only and form no part of the claimed design.

**1 Claim, 5 Drawing Sheets**

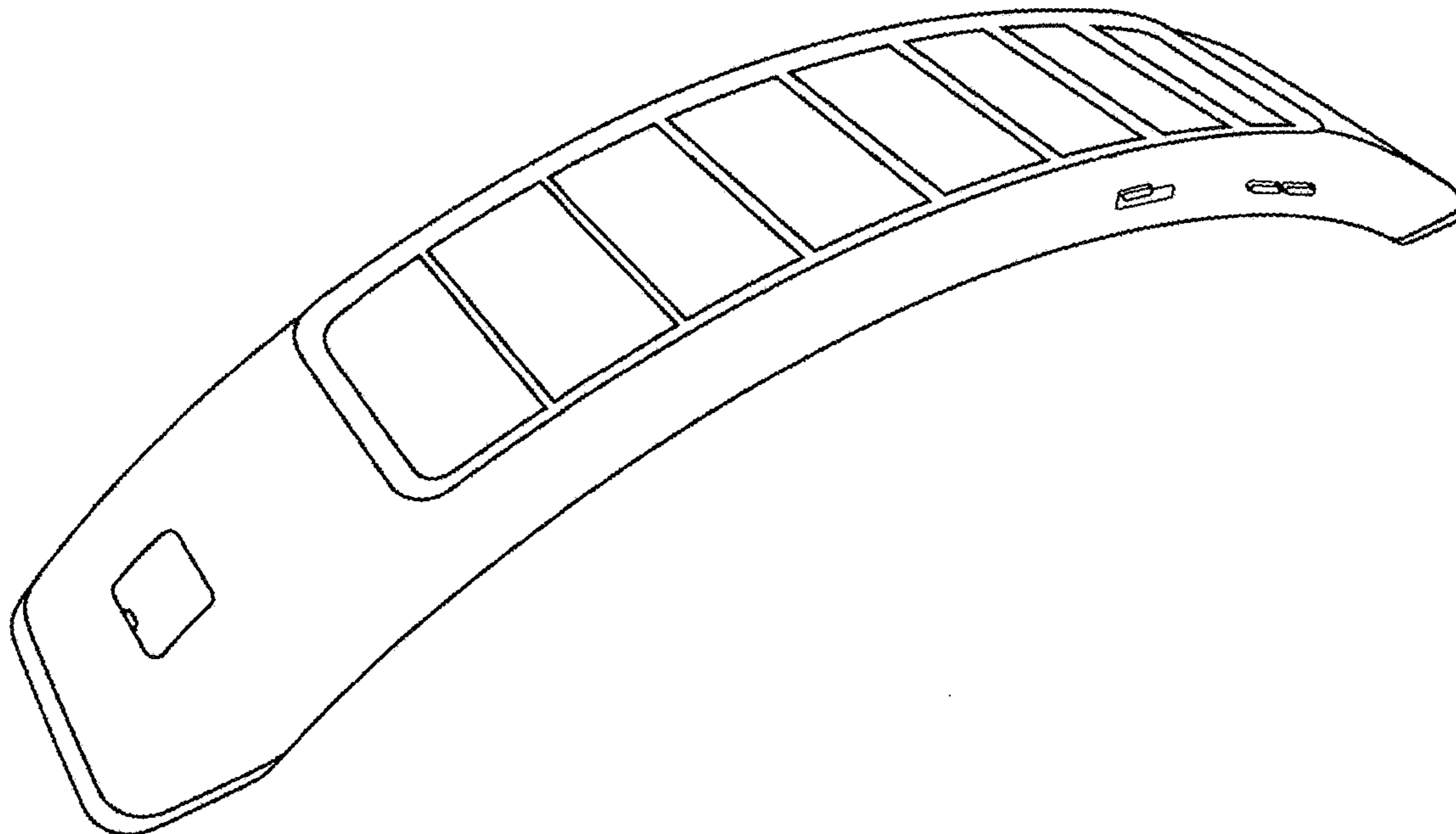


Fig. 1

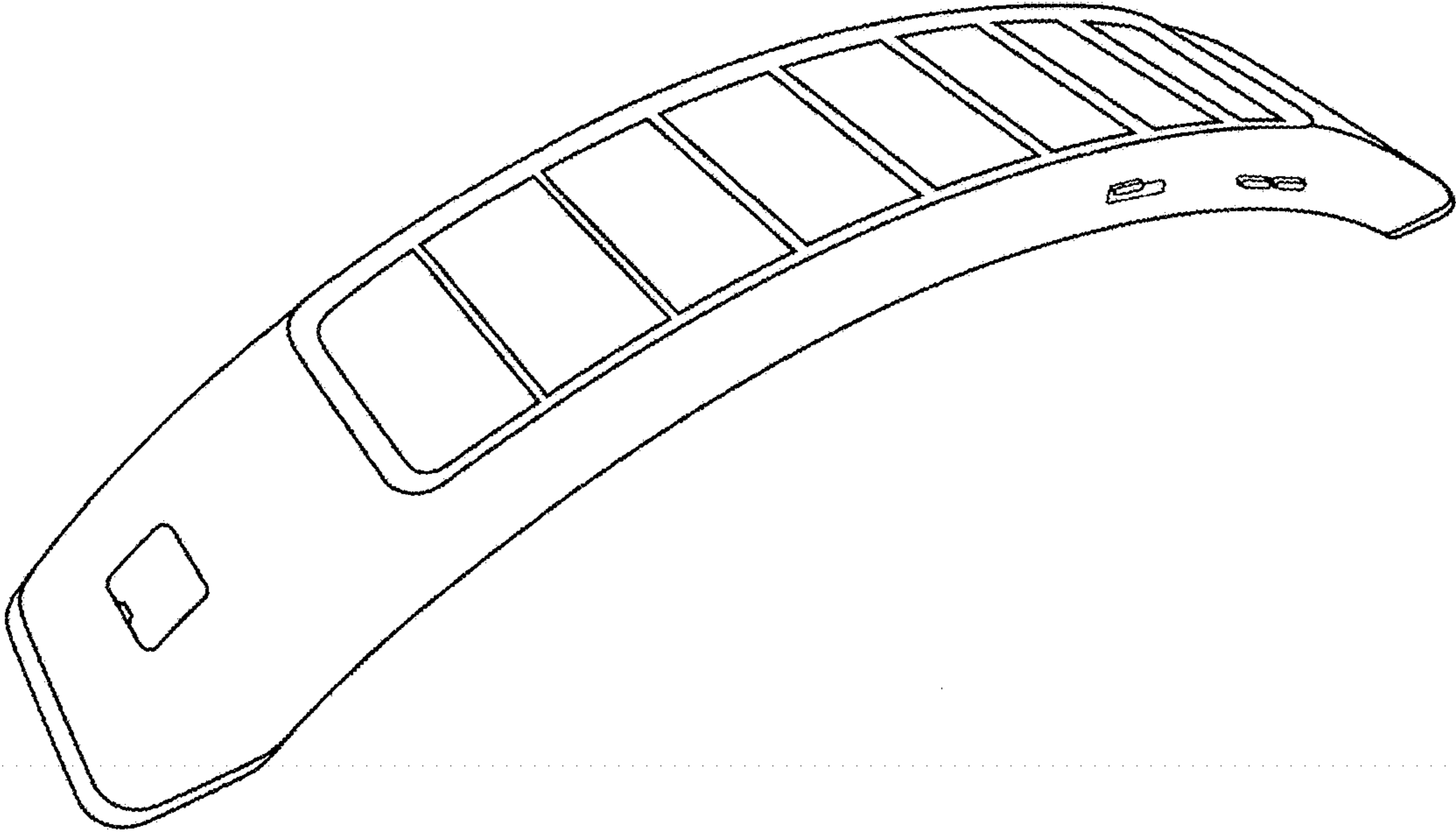


Fig. 2

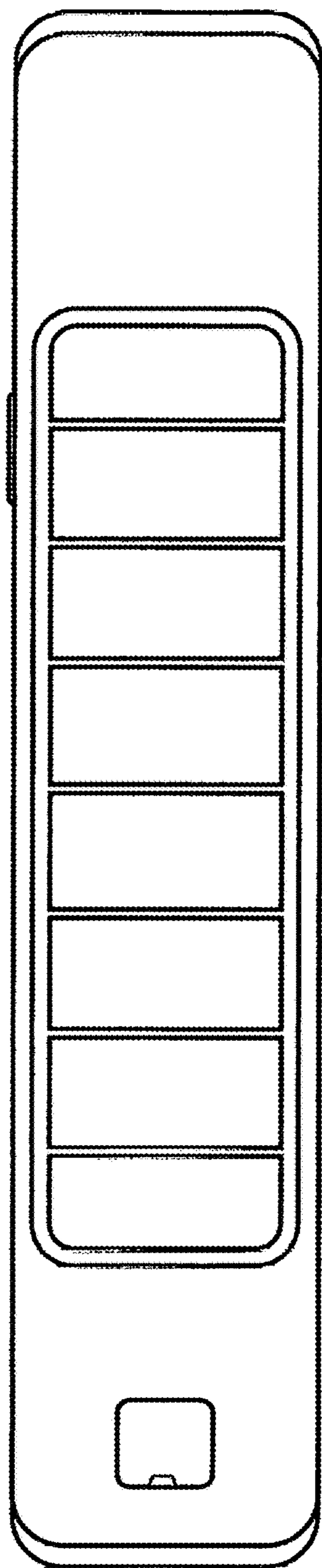


Fig. 3

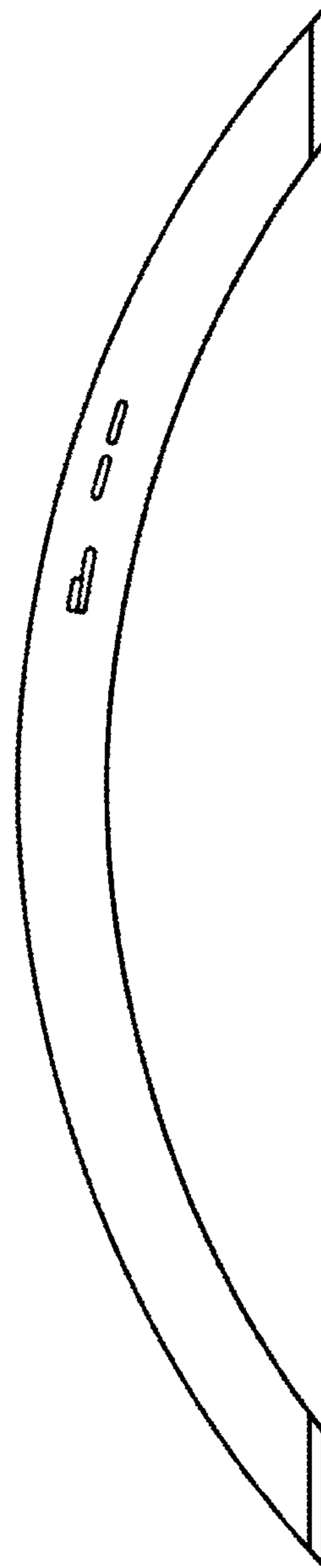


Fig. 4

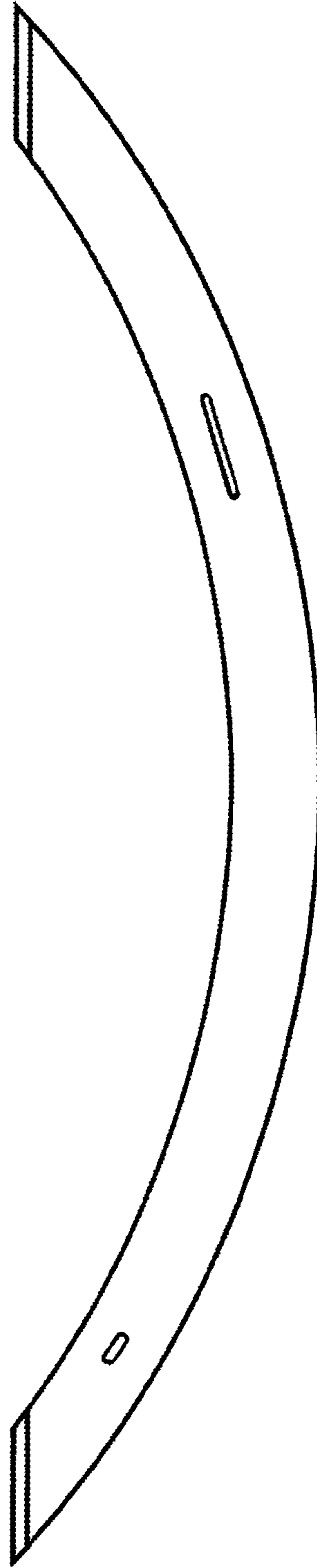


Fig. 5

