



US00D783007S

(12) **United States Design Patent** (10) **Patent No.:** **US D783,007 S**
Skrepcinski et al. (45) **Date of Patent:** **** Apr. 4, 2017**

(54) **HIGH CAPACITY SECTOR MOUNT**

E04C 3/005; E04C 3/08; A63B 1/00;
F41H 11/02; F42B 15/34; G01C 21/005

See application file for complete search history.

(71) Applicant: **CommScope Technologies LLC**,
Hickory, NC (US)

(56) **References Cited**

U.S. PATENT DOCUMENTS

(72) Inventors: **Alan J. Skrepcinski**, Plano, TX (US);
Kevin L. Rovell, Fort Worth, TX (US);
Kevin R. Paswalk, Watuaga, TX (US)

1,495,536 A * 5/1924 Smith A63B 1/00
482/38
3,790,950 A * 2/1974 Smith H01Q 21/06
343/792.5
4,129,393 A * 12/1978 Sickler E04G 7/14
403/391

(73) Assignee: **CommScope Technologies LLC**,
Hickory, NC (US)

(Continued)

(**) Term: **14 Years**

FOREIGN PATENT DOCUMENTS

CN 302982227 * 10/2014

(21) Appl. No.: **29/525,322**

OTHER PUBLICATIONS

(22) Filed: **Apr. 28, 2015**

Gen 2, Enhanced Load Frame, 12'-6" Face w/ 4 x 96" Pipes, Spec Sheet, posted at Talley.com, posting date not given, © 2017 Talley.com, [online], [site visited Jan. 9, 2017]. Available from Internet, <URL: <https://www.talleycom.com/images/pdf/MTSSFG.pdf>>.*

(51) **LOC (10) Cl.** **14-03**

(Continued)

(52) **U.S. Cl.**

USPC **D14/238**

Primary Examiner — Catherine Tuttle

Assistant Examiner — Mary Malley

(74) *Attorney, Agent, or Firm* — Myers Bigel, P.A.

(58) **Field of Classification Search**

USPC D14/138, 230–238.1, 299, 358;

D12/42–43; D13/182; D8/396; D6/682;

D22/147; D25/67

(57) **CLAIM**

The ornamental design for a high capacity sector mount, as shown and described.

CPC H01L 33/48; H01L 33/486; H01L 23/02;

H05K 5/00; H01Q 13/10; H01Q 7/00;

H01Q 1/1235; H01Q 1/1228; H01Q 1/1207; H01Q 1/52; H01Q 1/28; H01Q 1/281; H01Q 1/08; H01Q 21/06; F16L 3/2235; F16L 3/227; F16L 3/221; Y10T 403/7141; B64G 1/222; E04B 1/3441; E04B 1/1903; E04G 11/48; E04G 7/14;

DESCRIPTION

FIG. 1 is a front perspective view of the high capacity sector mount showing our new design;
FIG. 2 is a rear perspective view thereof;
FIG. 3 is a front view thereof;
FIG. 4 is a left side view thereof;
FIG. 5 is a right side view thereof;
FIG. 6 is a rear view thereof;

(Continued)

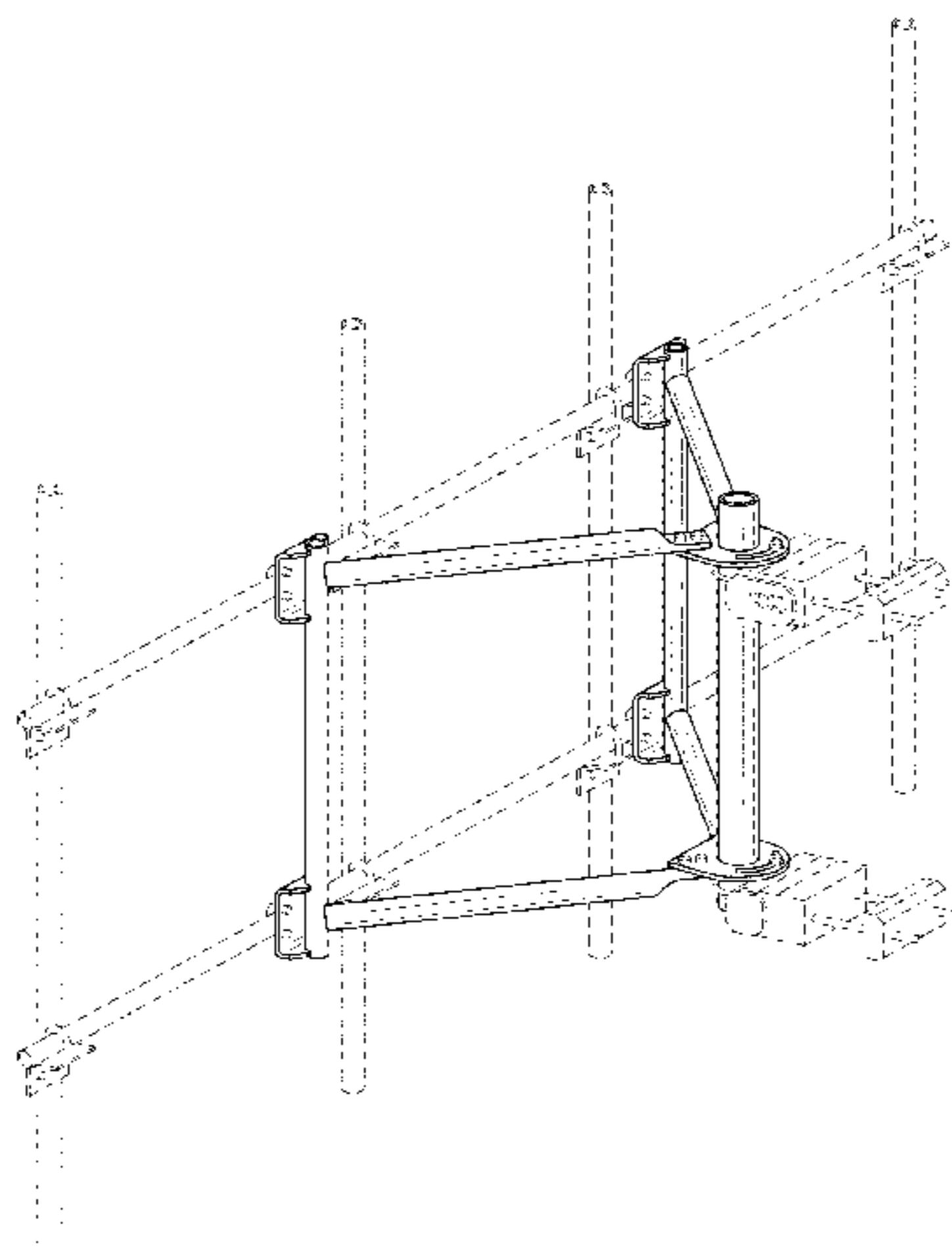


FIG. 7 is a top plan view thereof; and,
 FIG. 8 is a bottom plan view thereof.
 The dashed lines are included for the purpose of illustrating
 environmental structure that forms no part of the claimed
 design.

1 Claim, 8 Drawing Sheets

(56)

References Cited

U.S. PATENT DOCUMENTS

4,677,805	A *	7/1987	Schleisner	E04B 1/1903 403/170
5,228,258	A *	7/1993	Onoda	B64G 9/00 343/915
5,787,673	A	8/1998	Noble	
5,920,291	A	7/1999	Bosley	
5,971,345	A	10/1999	Khalaf	
6,082,068	A *	7/2000	Fisher	E04C 3/08 211/182
6,145,269	A *	11/2000	Fisher	E04C 3/005 52/585.1
6,161,359	A *	12/2000	Ono	E04G 11/48 14/75
D475,555	S *	6/2003	Lauts	D6/682
7,086,207	B2	8/2006	Piburn et al.	
7,113,145	B1	9/2006	Noble	

7,466,286	B2	12/2008	Chapman	
7,659,865	B2	2/2010	Kreitzberg et al.	
7,963,084	B2 *	6/2011	Merrifield	E04B 1/3441 52/117
8,393,581	B2 *	3/2013	Keller	B64G 1/222 136/245
2002/0089466	A1	7/2002	Magee et al.	
2003/0131539	A1 *	7/2003	Burford	E04B 1/32 52/64
2007/0205957	A1	9/2007	Chapman	
2007/0261355	A1	11/2007	Carlisle et al.	
2008/0048928	A1	2/2008	Michaelis	
2010/0115856	A1	5/2010	Carlisle et al.	
2010/0269446	A1 *	10/2010	Merrifield	B64G 1/22 52/646
2011/0095956	A1	4/2011	Conrad	
2011/0279347	A1	11/2011	Pass et al.	
2013/0221182	A1	8/2013	Renilson et al.	
2015/0101261	A1 *	4/2015	Merrifield	E04C 3/005 52/67
2016/0211569	A1 *	7/2016	Skrepcinski	H01Q 1/1228
2016/0322697	A1 *	11/2016	Skrepcinski	F16M 11/126

OTHER PUBLICATIONS

International Search Report and Written Opinion for corresponding
 PCT Application No. PCT/US2016/029290, date of mailing Jul. 27,
 2016, 11 pages.

* cited by examiner

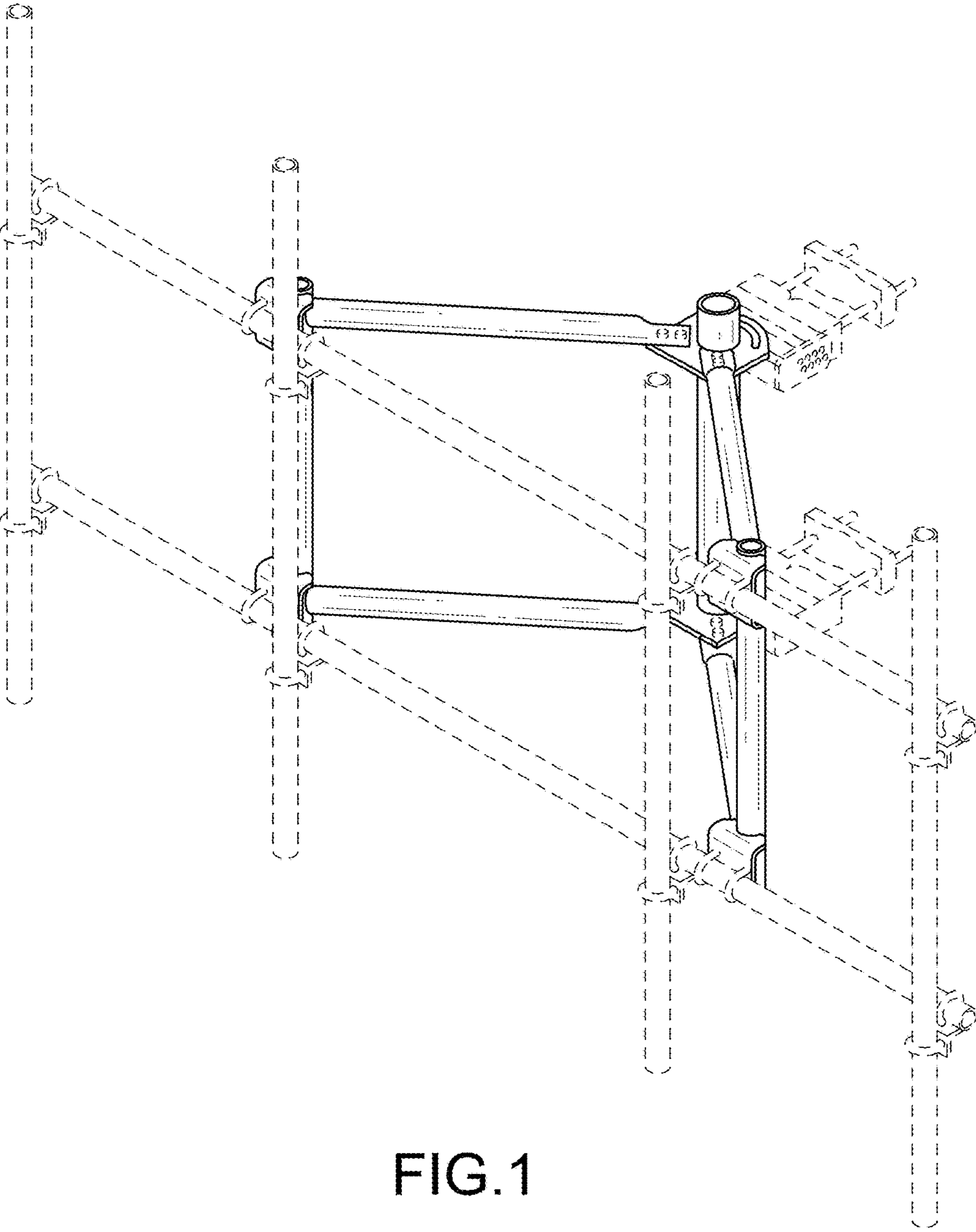


FIG.1

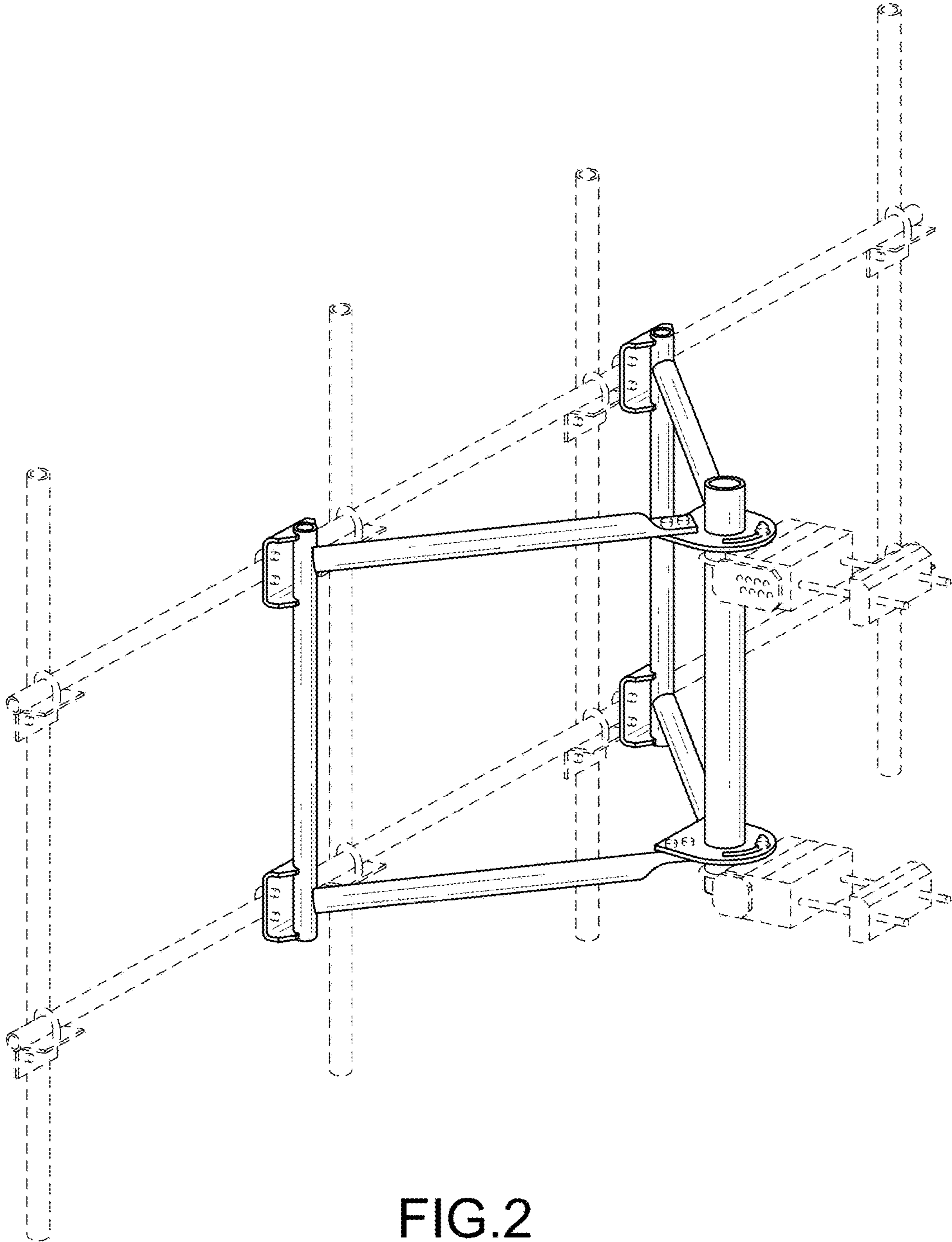


FIG.2

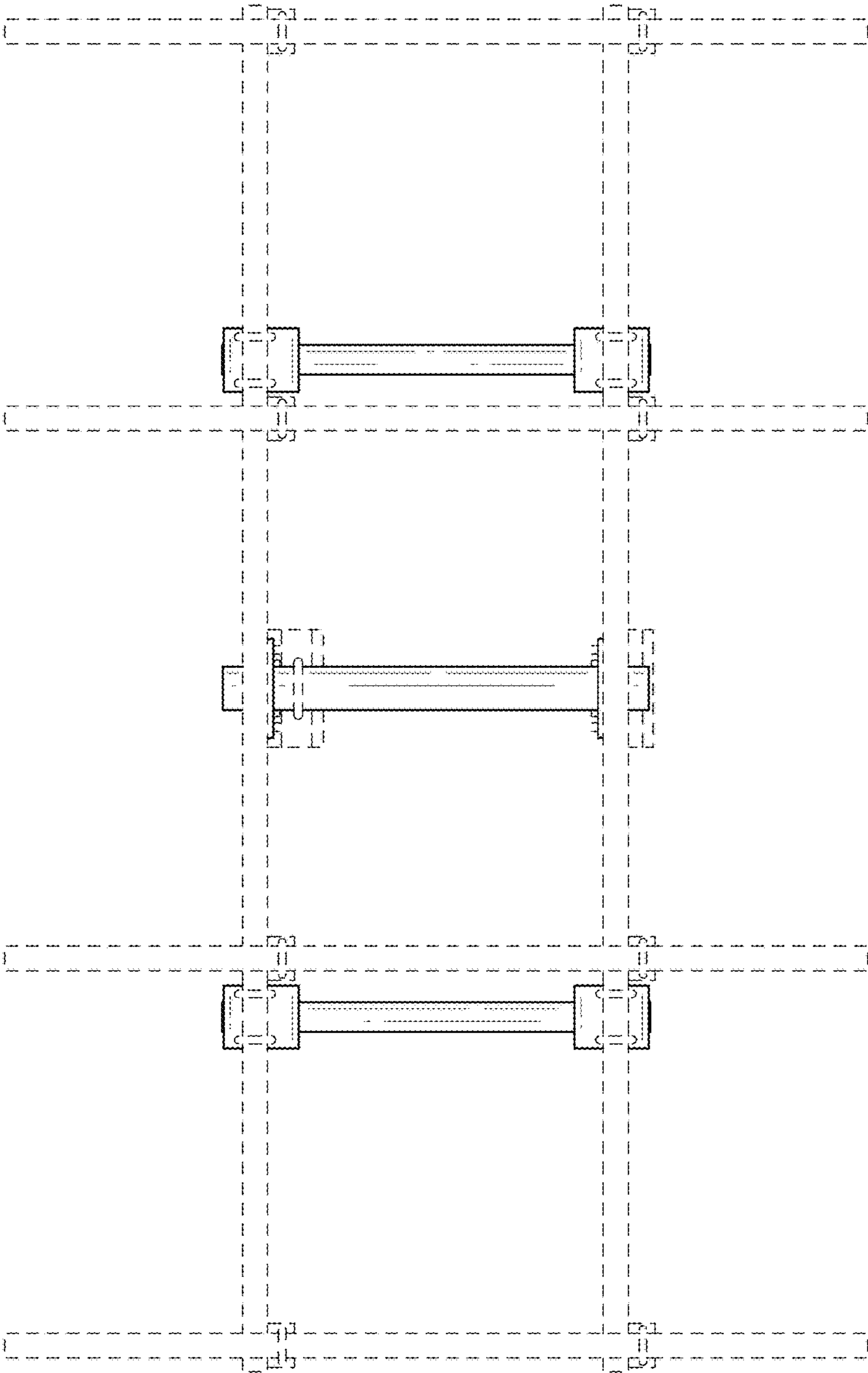


FIG.3

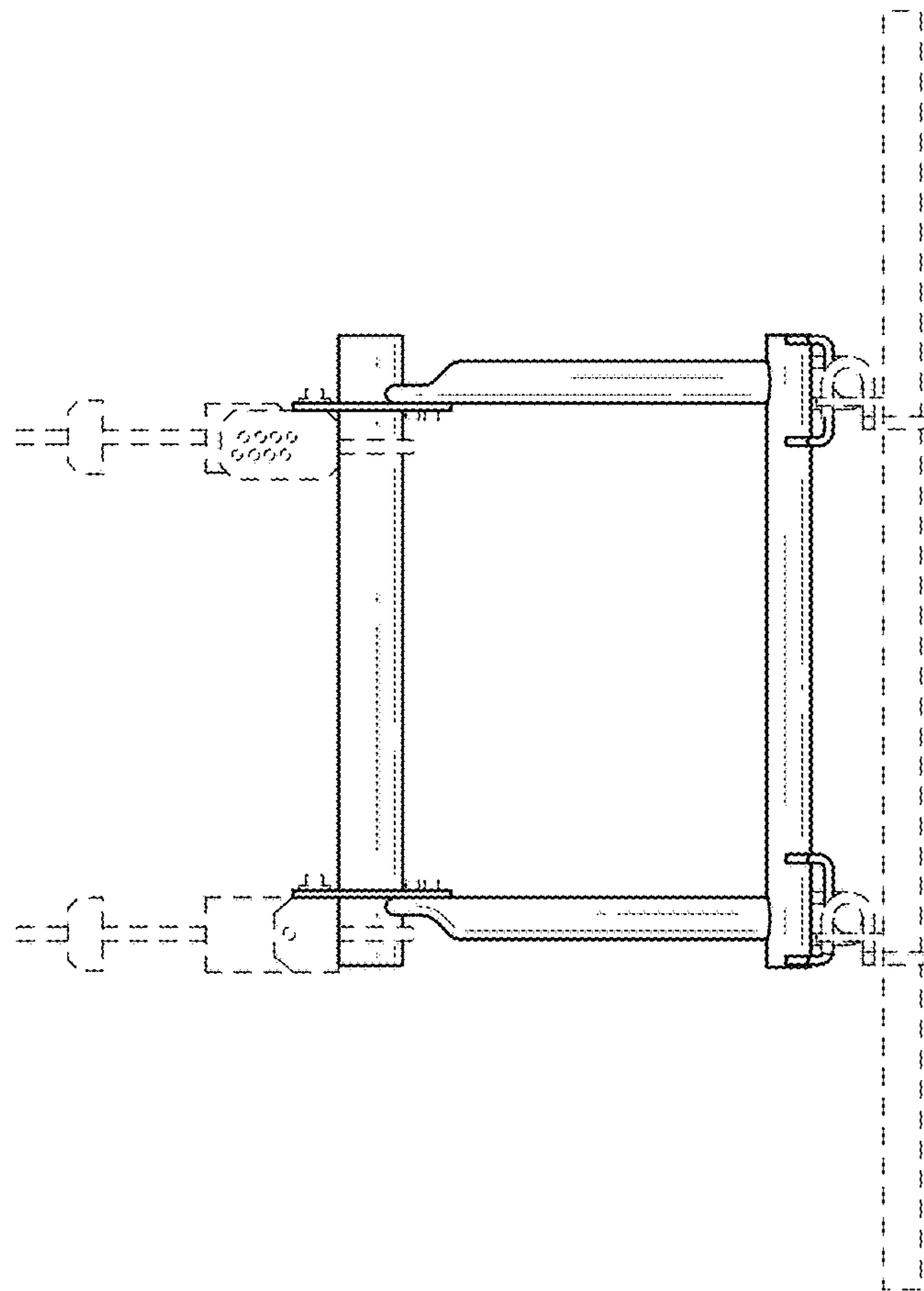


FIG.4

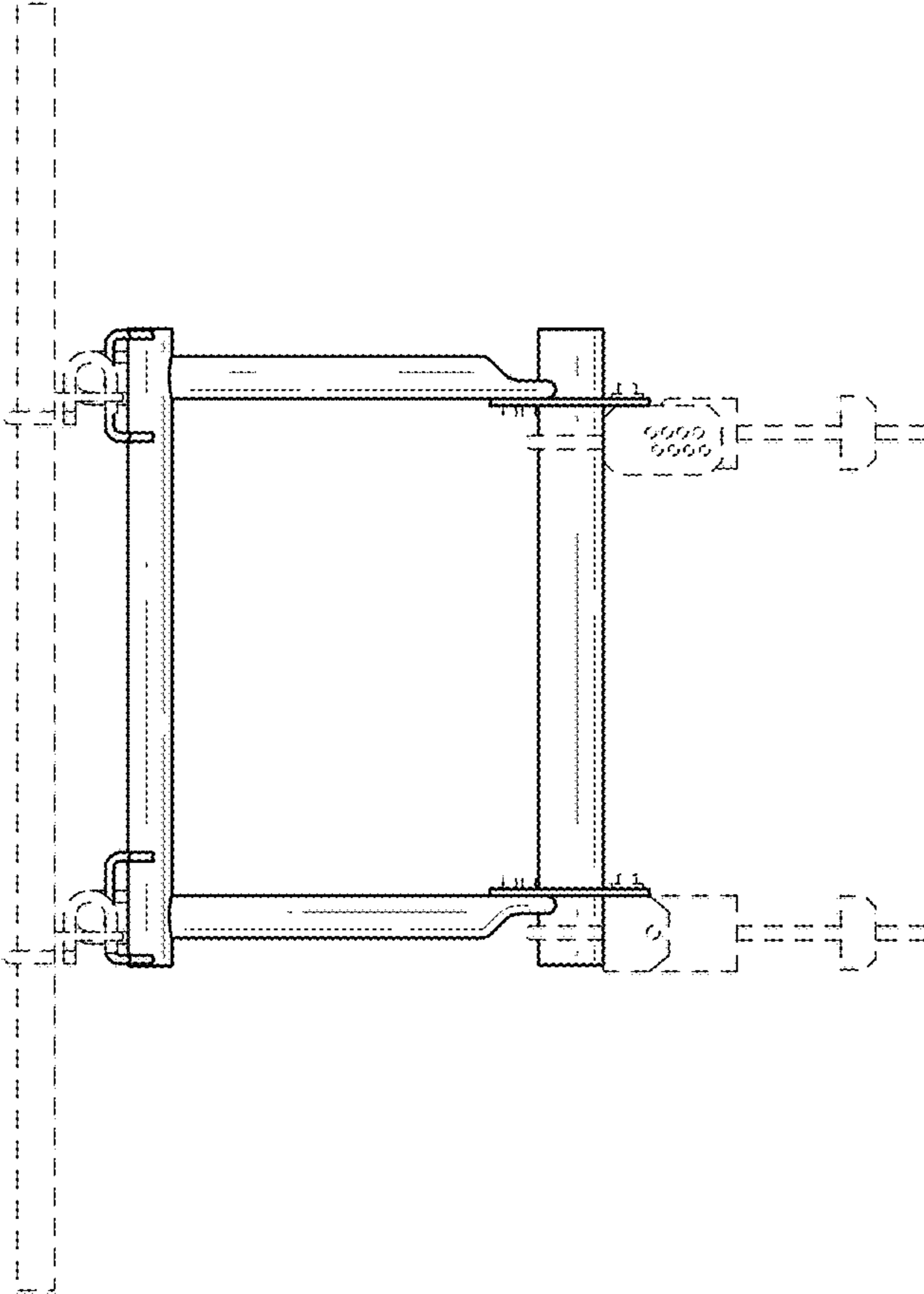


FIG.5

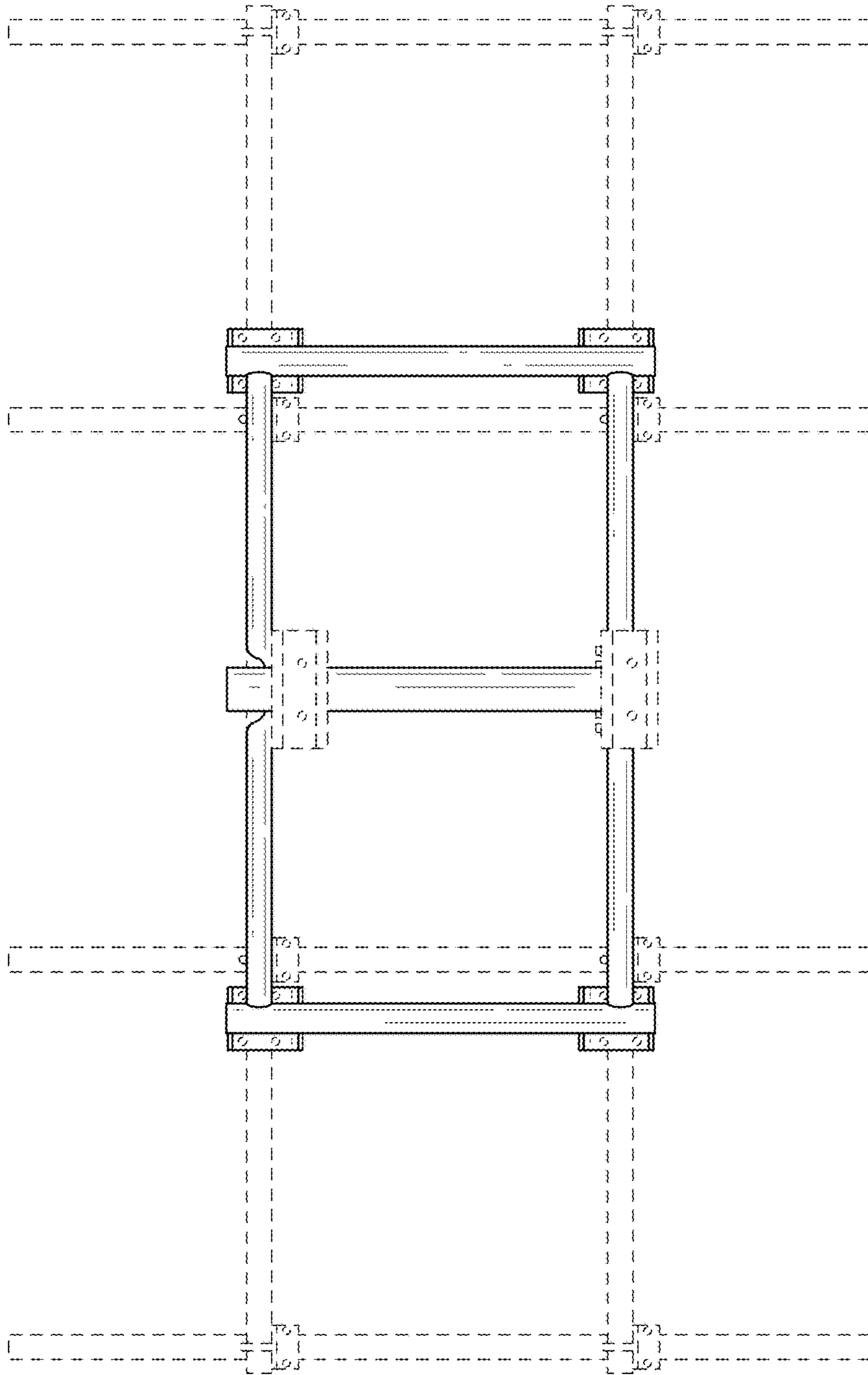


FIG.6

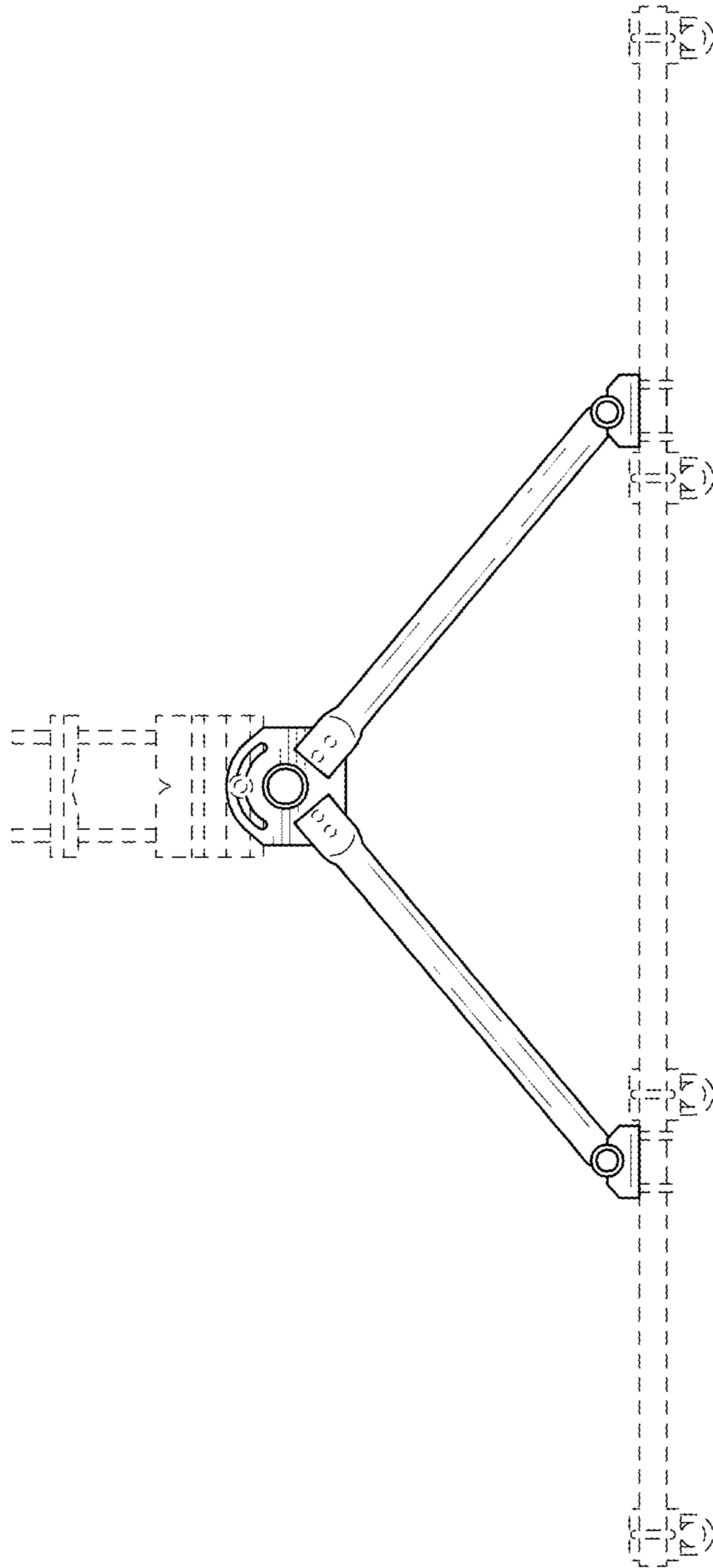


FIG. 7

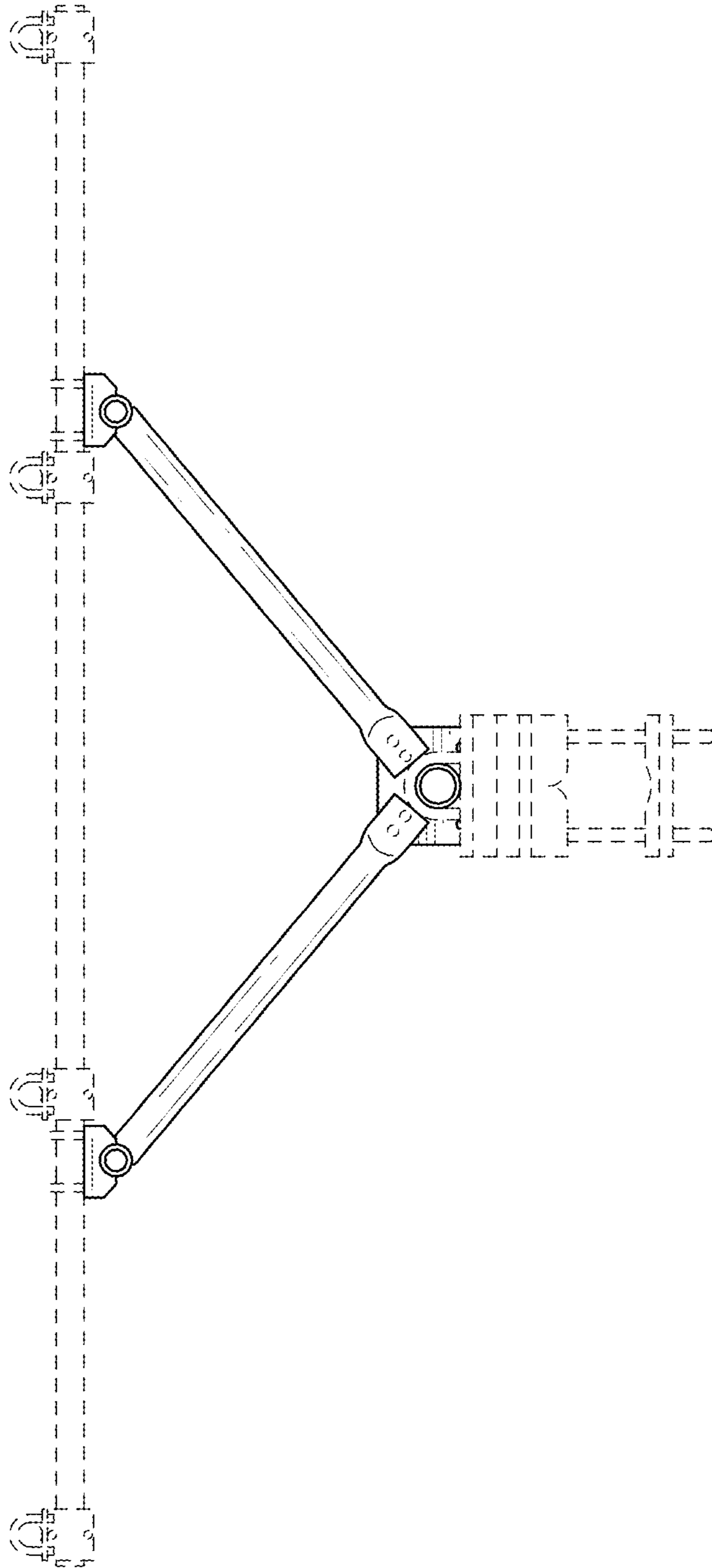


FIG. 8