



US00D783001S

(12) **United States Design Patent**
Tschetter et al.

(10) **Patent No.:** **US D783,001 S**

(45) **Date of Patent:** **** Apr. 4, 2017**

(54) **MIXER**

27/105; G11B 33/025; H04R 3/00; H04R
3/005; H04R 5/04; H04R 2205/021;
H04R 2499/11

(71) Applicant: **QSC, LLC**, Costa Mesa, CA (US)

See application file for complete search history.

(72) Inventors: **Gerald Tschetter**, Santa Ana, CA (US);
Greg C. Mackie, Kirkland, WA (US);
James A. Young, IV, Snohomish, WA
(US); **Jon Graves**, Rancho Santa
Margarita, CA (US); **Chris Jubien**,
Victoria (CA)

(56)

References Cited

U.S. PATENT DOCUMENTS

D490,800 S *	6/2004	Kitazawa	D14/217
D555,639 S *	11/2007	Amiya	D14/217
D561,735 S *	2/2008	Nagura	D14/168
D715,267 S *	10/2014	Tschetter	D14/217
D743,942 S *	11/2015	Tschetter	D14/217
D769,226 S *	10/2016	Ito	D14/217
D772,200 S *	11/2016	Tschetter	D14/217

(73) Assignee: **QSC, LLC**, Costa Mesa, CA (US)

(**) Term: **15 Years**

* cited by examiner

(21) Appl. No.: **29/551,802**

Primary Examiner — Ian Simmons

(22) Filed: **Jan. 15, 2016**

Assistant Examiner — Khawaja Anwar

(51) **LOC (10) Cl.** **14-03**

(74) *Attorney, Agent, or Firm* — Perkins Coie LLP

(52) **U.S. Cl.**
USPC **D14/217**

(57) **CLAIM**

The ornamental design for a mixer, as shown and described.

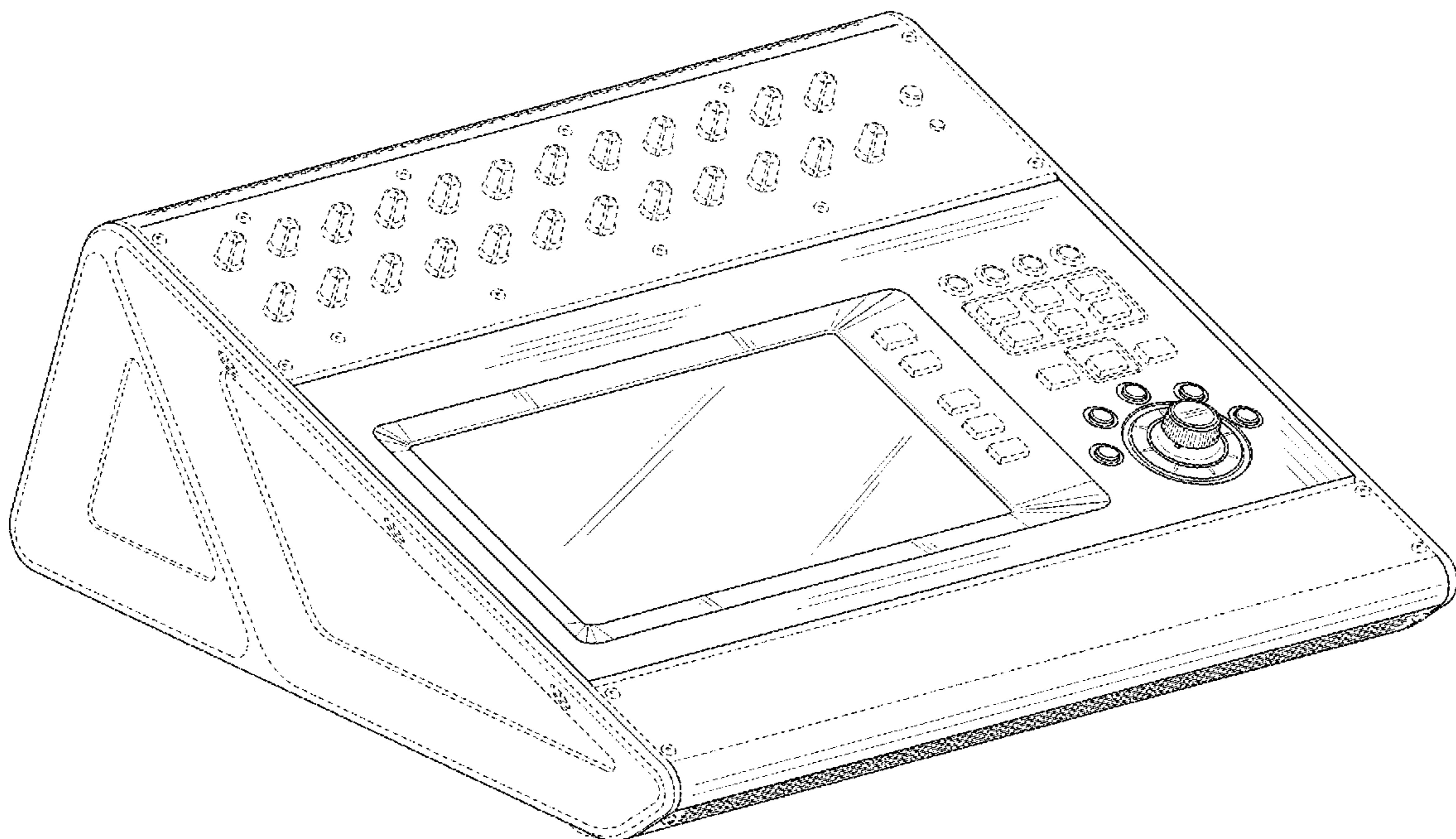
(58) **Field of Classification Search**
USPC D14/217, 257, 258, 434, 496, 162, 167,
D14/175, 188, 196–198

DESCRIPTION

FIG. 1 is a front perspective view of a mixer showing our new design;
FIG. 2 is a front elevation view thereof.
FIG. 3 is a back elevation view thereof.
FIG. 4 is a top plan view thereof.
FIG. 5 is a bottom plan view thereof.
FIG. 6 is a left side elevation view thereof; and,
FIG. 7 is a right side elevation view thereof.
The broken lines shown in the drawings represent unclaimed environment only and form no part of the claimed design.

CPC G06F 1/1626; G06F 1/1688; G10H 1/46;
G10H 1/0008; G10H 1/0025; G10H
3/186; G10H 2210/125; G10H 2240/131;
G10H 2240/175; G10H 2250/035; G10L
19/008; G10L 19/167; H03G 3/00; H03G
3/04; H03G 3/3005; H03G 3/3089; H03G
5/00; H03G 5/005; H03G 5/025; H03G
9/18; G11B 19/02; G11B 20/10527;
G11B 27/00; G11B 27/34; G11B 27/031;
G11B 27/034; G11B 27/038; G11B

1 Claim, 7 Drawing Sheets



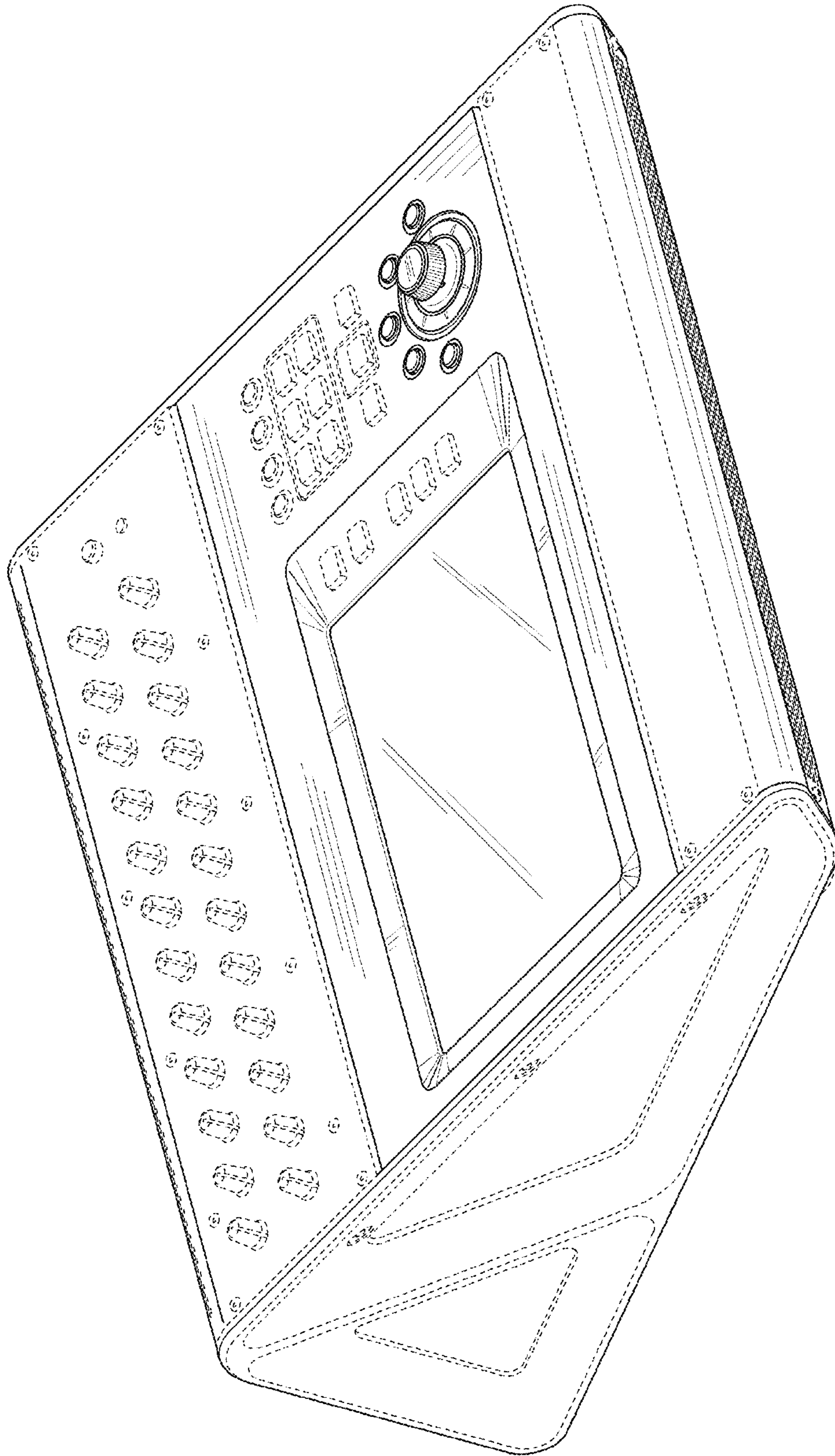


Fig. 1

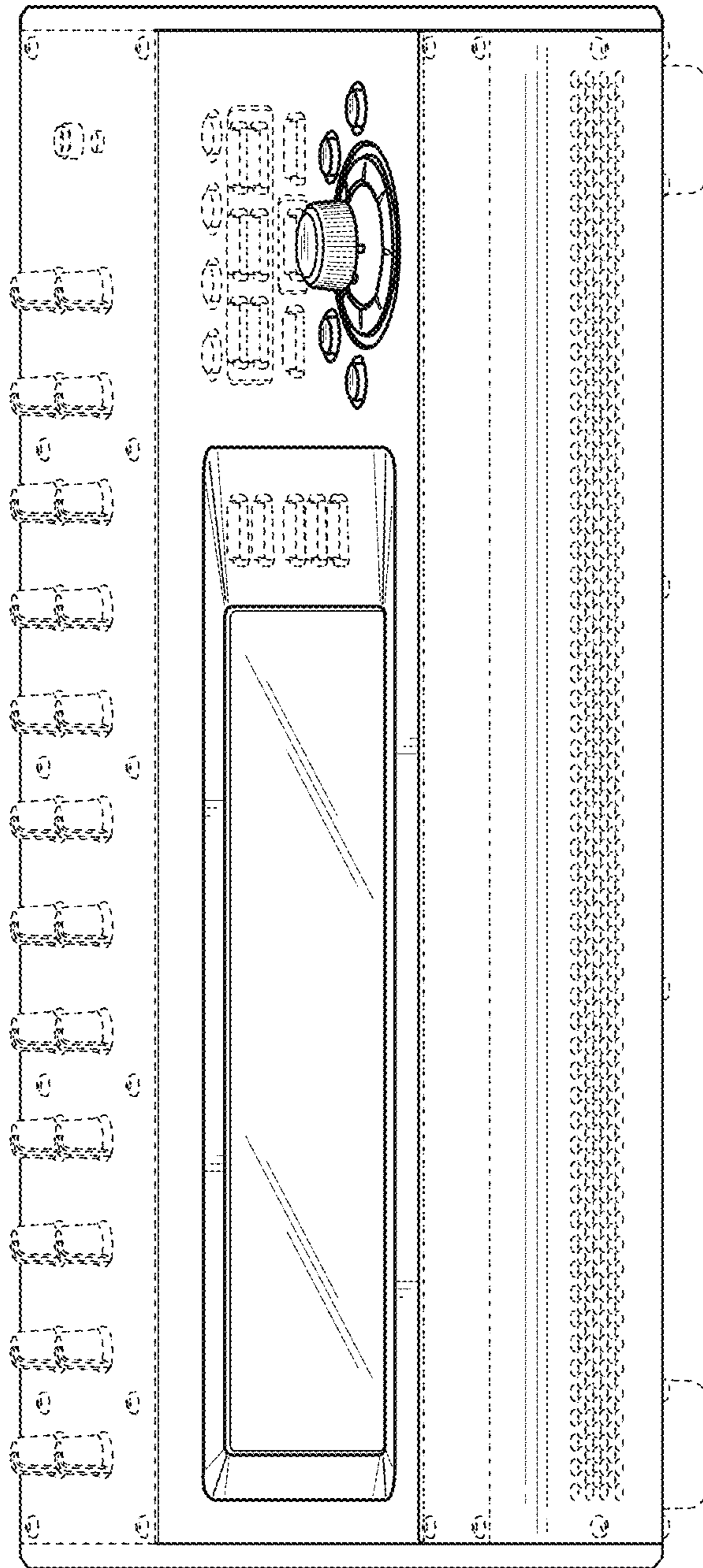


Fig. 2

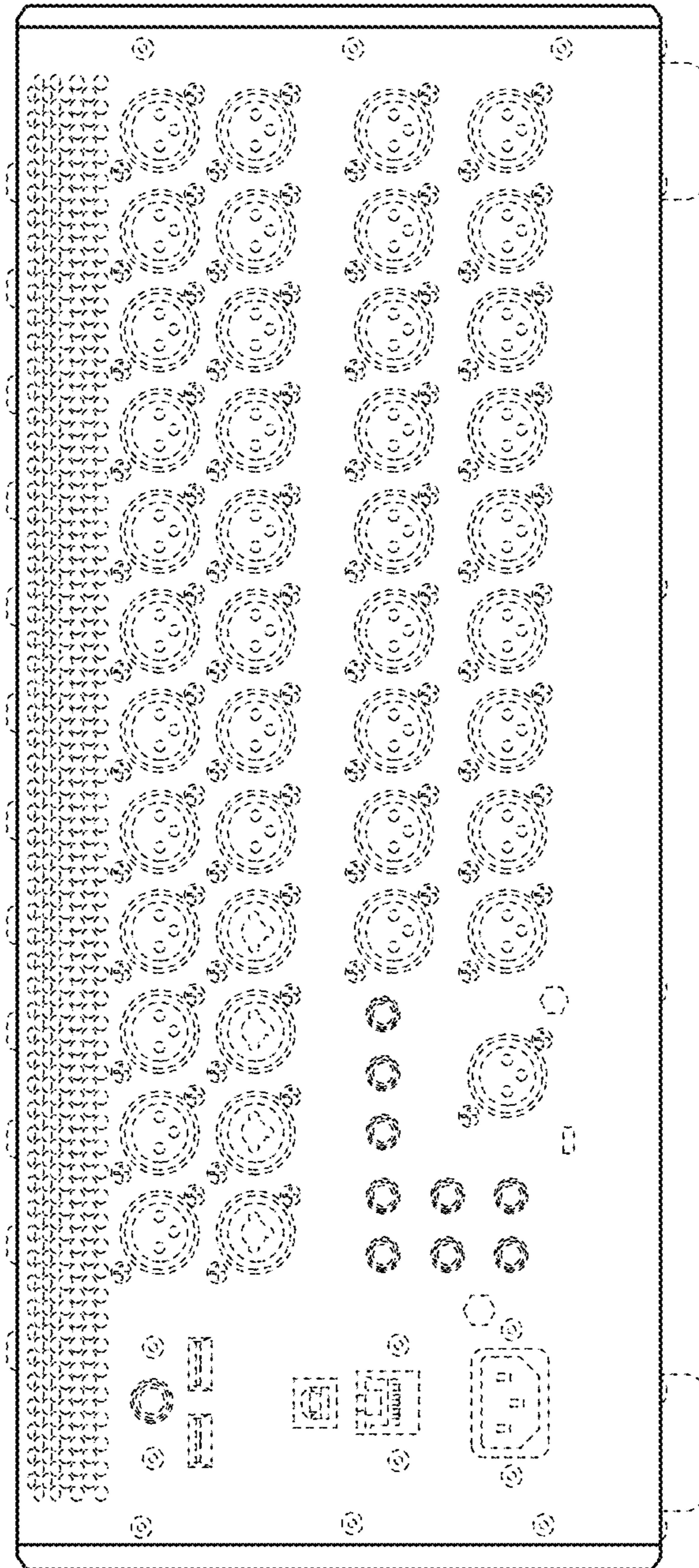


Fig. 3

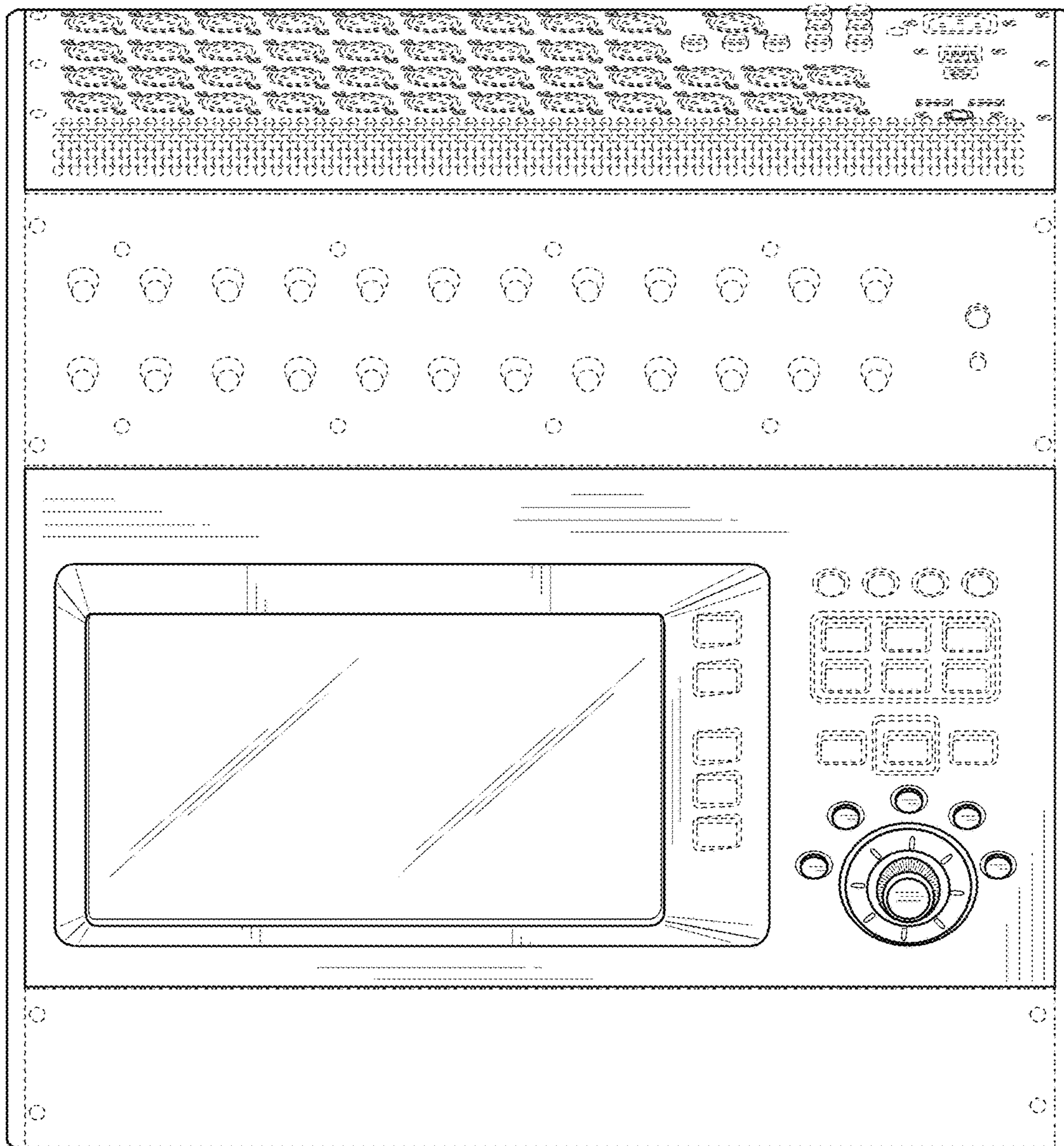


Fig. 4

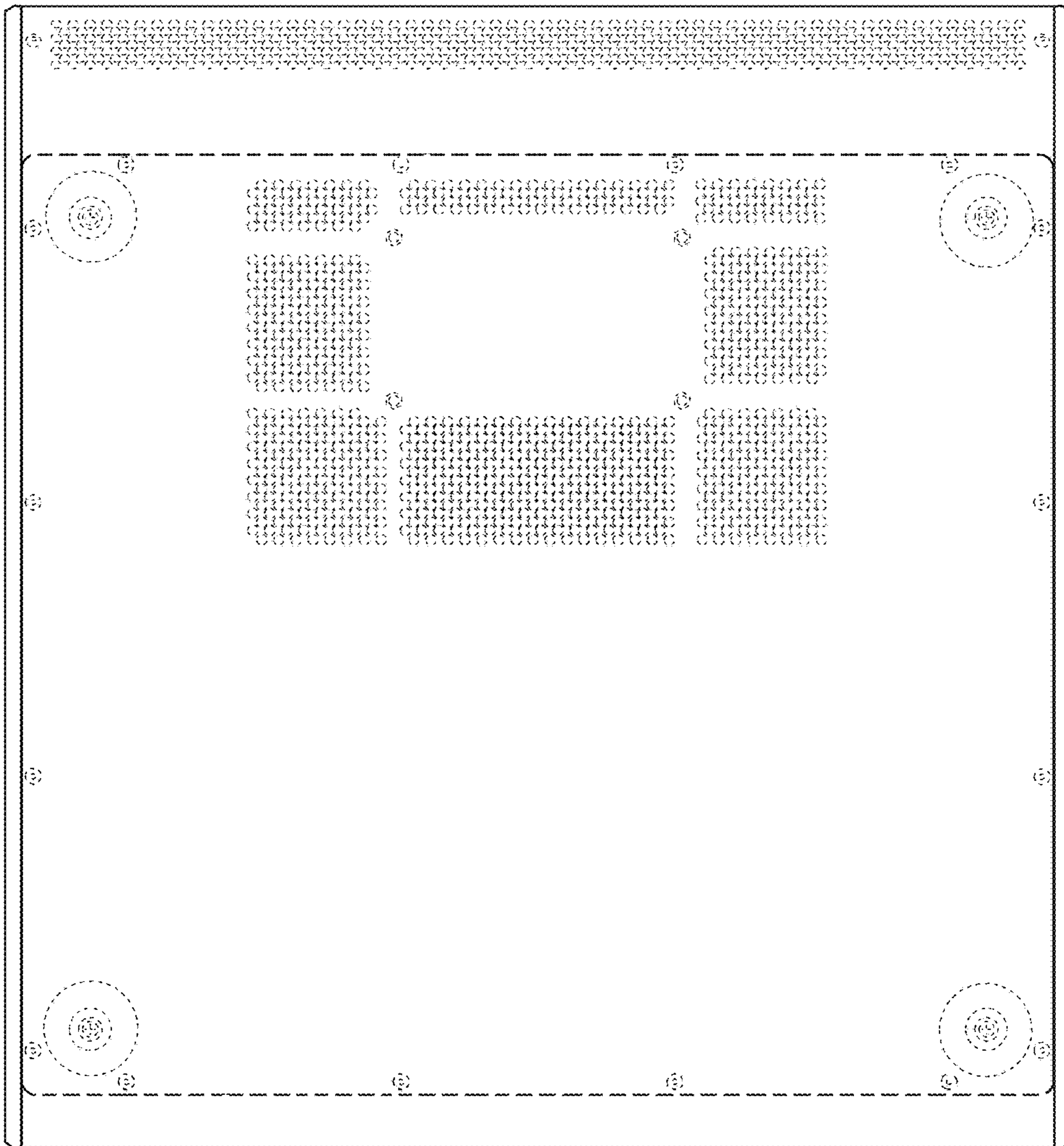


Fig. 5

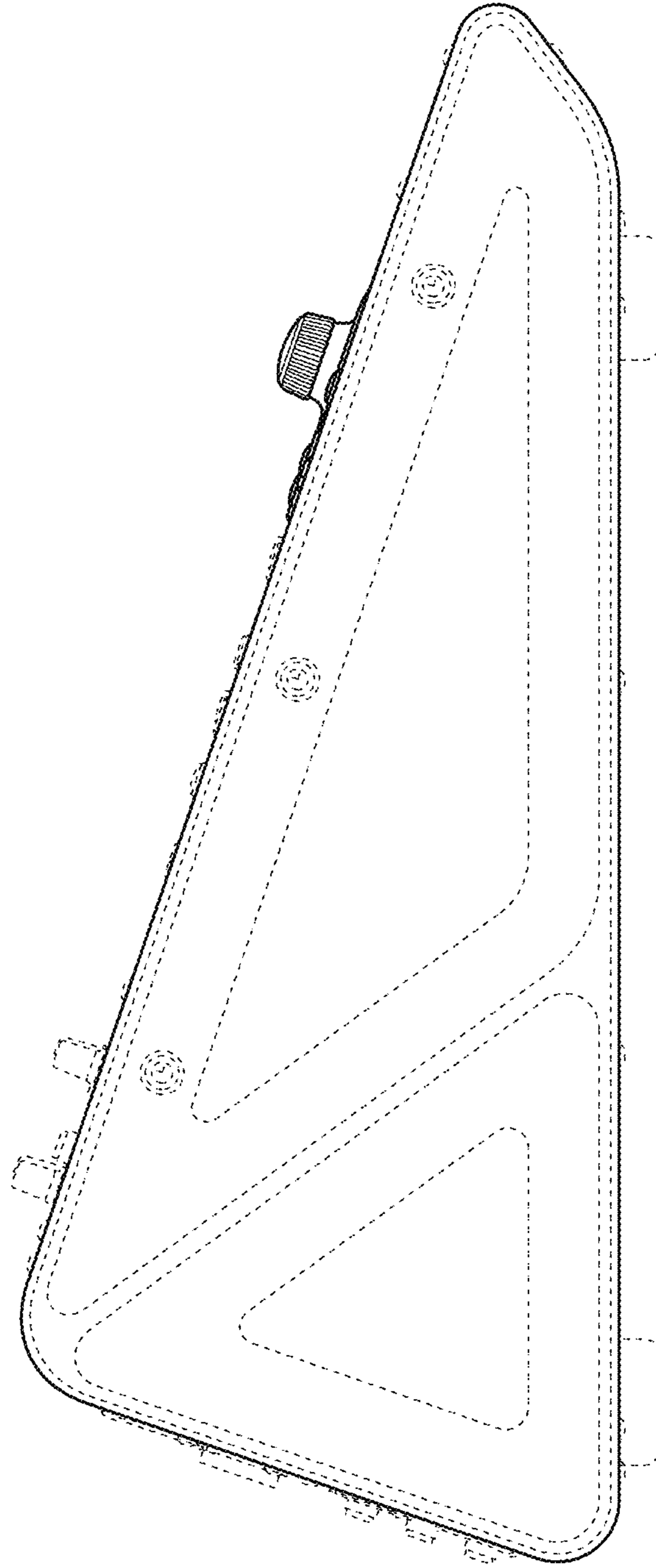


Fig. 6

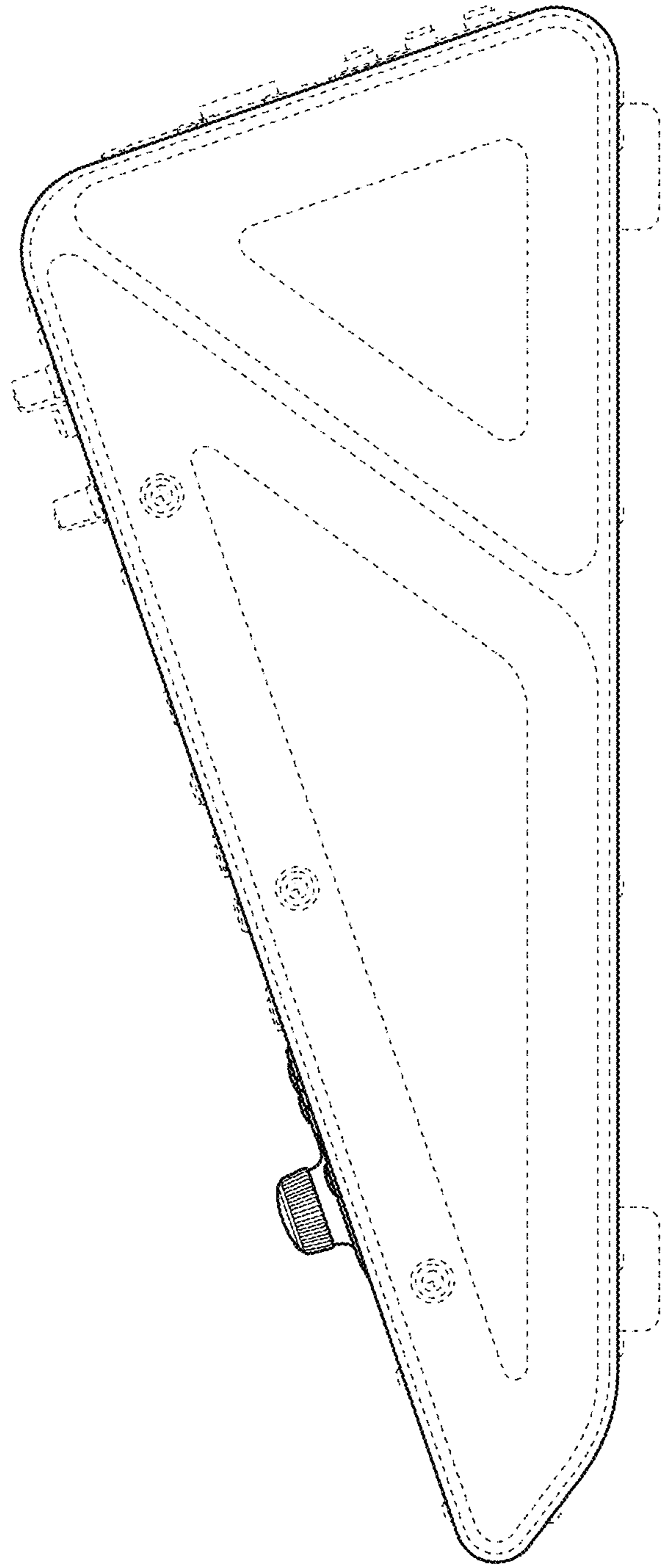


Fig. 7