



US00D783000S

(12) **United States Design Patent**  
**Koo**

(10) **Patent No.:** **US D783,000 S**

(45) **Date of Patent:** **\*\* Apr. 4, 2017**

(54) **SPEAKER STAND**

(71) Applicant: **Gibson Innovations Belgium NV**,  
Leuven (BE)

(72) Inventor: **Lawrence Chuen Tak Koo**, Hong  
Kong (HK)

(73) Assignee: **Gibson Innovations Belgium NV**,  
Leuven (BE)

(\*\*) Term: **15 Years**

(21) Appl. No.: **29/534,059**

(22) Filed: **Jul. 24, 2015**

(30) **Foreign Application Priority Data**

Jan. 27, 2015 (EM) ..... 002621003

(51) **LOC (10) Cl.** ..... **14-01**

(52) **U.S. Cl.**  
USPC ..... **D14/209.1; D14/211**

(58) **Field of Classification Search**  
USPC ..... D14/204, 209.1, 210–216, 221; 181/144,  
181/145, 153, 156, 146, 150–152, 157,  
181/198, 199; 381/397, 300–303, 306,  
381/332, 333, 336, 345, 361–364,  
381/386–388; D6/681.2; D26/24, 68;  
108/33; 248/441.1, 150; 40/607.1,  
40/606.03; 211/205  
CPC . H05K 5/00; H04R 1/02; H04R 25/00; H04R  
1/26; H04R 5/02  
See application file for complete search history.

(56) **References Cited**

**U.S. PATENT DOCUMENTS**

822,793 A \* 6/1906 Weber ..... B65F 1/141  
220/475  
2,459,785 A \* 1/1949 Allerton ..... F16B 7/1427  
211/166

2,568,534 A \* 9/1951 Baker ..... A47B 3/12  
108/150  
3,443,660 A \* 5/1969 Olson ..... H04R 1/2857  
181/153  
3,945,461 A \* 3/1976 Robinson ..... H04R 1/2811  
181/148  
4,078,757 A \* 3/1978 Waters ..... A47B 19/02  
108/150  
4,452,333 A \* 6/1984 Peavey ..... H04R 5/02  
181/144  
4,580,654 A \* 4/1986 Hale ..... H04R 1/323  
181/146  
D318,672 S \* 7/1991 Derain ..... D14/224  
D326,969 S \* 6/1992 Eason ..... D14/224  
D328,898 S \* 8/1992 Christie ..... D14/211  
5,283,595 A \* 2/1994 Krukovsky ..... G09F 7/20  
345/2.3

(Continued)

*Primary Examiner* — Paula Greene

(74) *Attorney, Agent, or Firm* — Bates & Bates, LLC

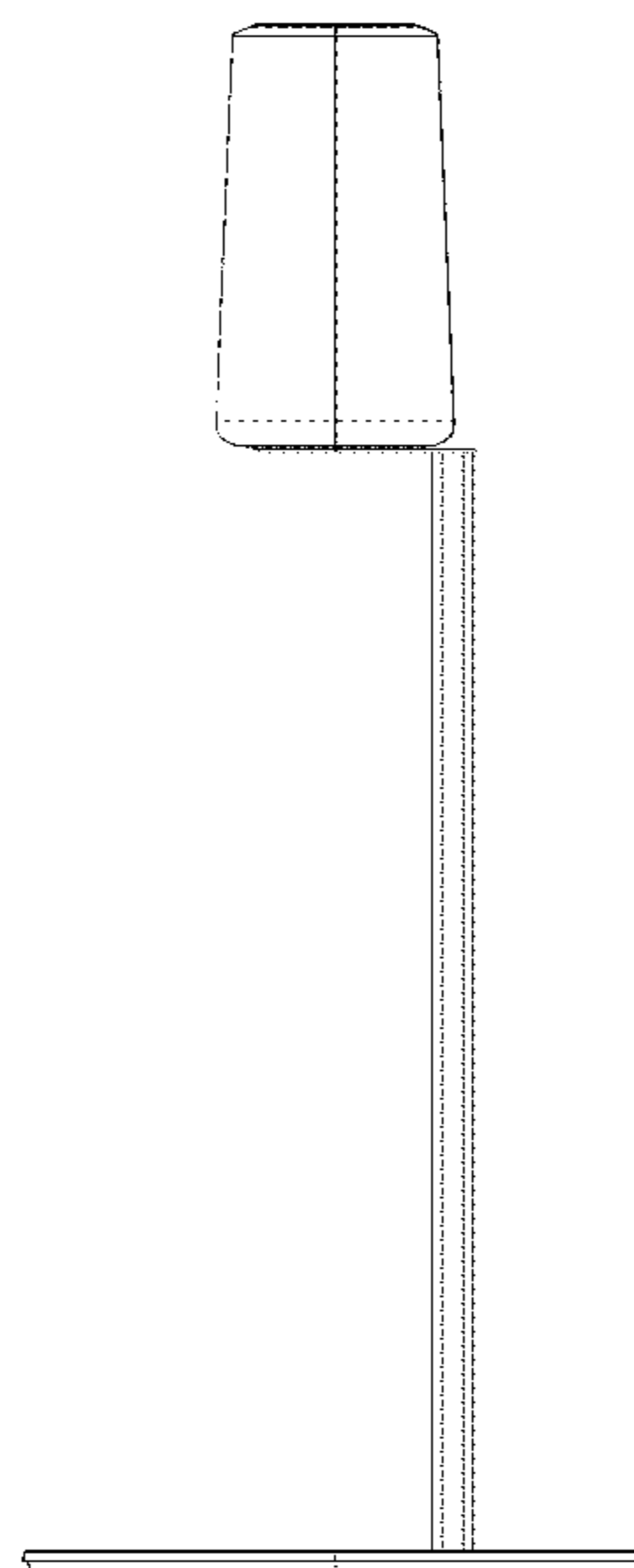
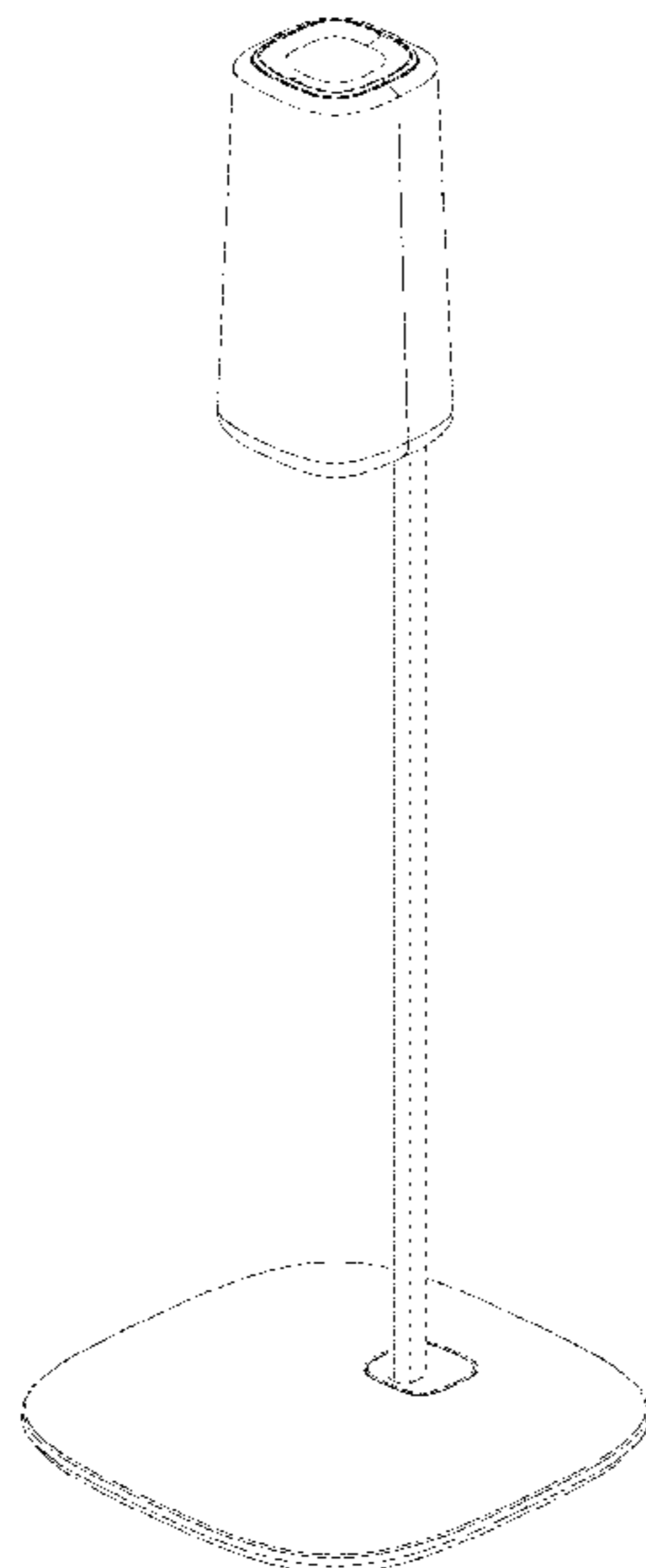
(57) **CLAIM**

What is claimed is the ornamental design for a speaker stand, as shown and described.

**DESCRIPTION**

FIG. 1 is a perspective view of the speaker stand;  
FIG. 2 is a front view of the speaker stand;  
FIG. 3 is a back view of the speaker stand;  
FIG. 4 is a left side view of the speaker stand;  
FIG. 5 is a right side view of the speaker stand;  
FIG. 6 is a top view of the speaker stand; and,  
FIG. 7 is a bottom view of the speaker stand.

**1 Claim, 7 Drawing Sheets**



(56)

## References Cited

## U.S. PATENT DOCUMENTS

5,362,019 A \* 11/1994 Swanson ..... A47G 29/1216  
232/39  
D353,378 S \* 12/1994 Lewis ..... D14/211  
D400,735 S \* 11/1998 House ..... D14/224  
5,915,656 A \* 6/1999 Grewe ..... G09F 15/0062  
248/150  
D415,494 S \* 10/1999 Curina ..... D14/211  
D417,872 S \* 12/1999 Monson ..... D14/211  
D454,263 S \* 3/2002 Worrall ..... D14/224  
D483,026 S \* 12/2003 Koskinen ..... D14/211  
D488,803 S \* 4/2004 Chin ..... D14/211  
D492,281 S \* 6/2004 Hakoda ..... D14/211  
D496,350 S \* 9/2004 Allen ..... D14/211  
D497,904 S \* 11/2004 Dardashti ..... D14/224  
D508,480 S \* 8/2005 Oikawa ..... D14/211  
D521,811 S \* 5/2006 Yourist ..... D7/615  
D536,693 S \* 2/2007 Komiyama ..... D14/211  
D539,269 S \* 3/2007 Yoon ..... D14/211  
D543,534 S \* 5/2007 Tsuge ..... D14/211  
D548,724 S \* 8/2007 Hakoda ..... D14/211  
D560,655 S \* 1/2008 Carbone ..... D14/211  
D579,926 S \* 11/2008 Whitworth ..... D14/224  
D581,697 S \* 12/2008 Fix ..... D6/681.2  
D585,875 S \* 2/2009 Matsuoka ..... D14/211  
D586,781 S \* 2/2009 Kim ..... D14/211  
D613,268 S \* 4/2010 Chen ..... D14/211  
D659,120 S \* 5/2012 Kim ..... D14/211  
D708,168 S \* 7/2014 Ryu ..... D14/211  
D716,764 S \* 11/2014 Jeon ..... D14/209.1  
D729,763 S \* 5/2015 Ono ..... D14/204  
D732,507 S \* 6/2015 Fujioka ..... D14/204  
D740,253 S \* 10/2015 Jeon ..... D14/204  
D743,375 S \* 11/2015 Lee ..... D14/213  
D767,535 S \* 9/2016 Koo ..... D14/214

\* cited by examiner

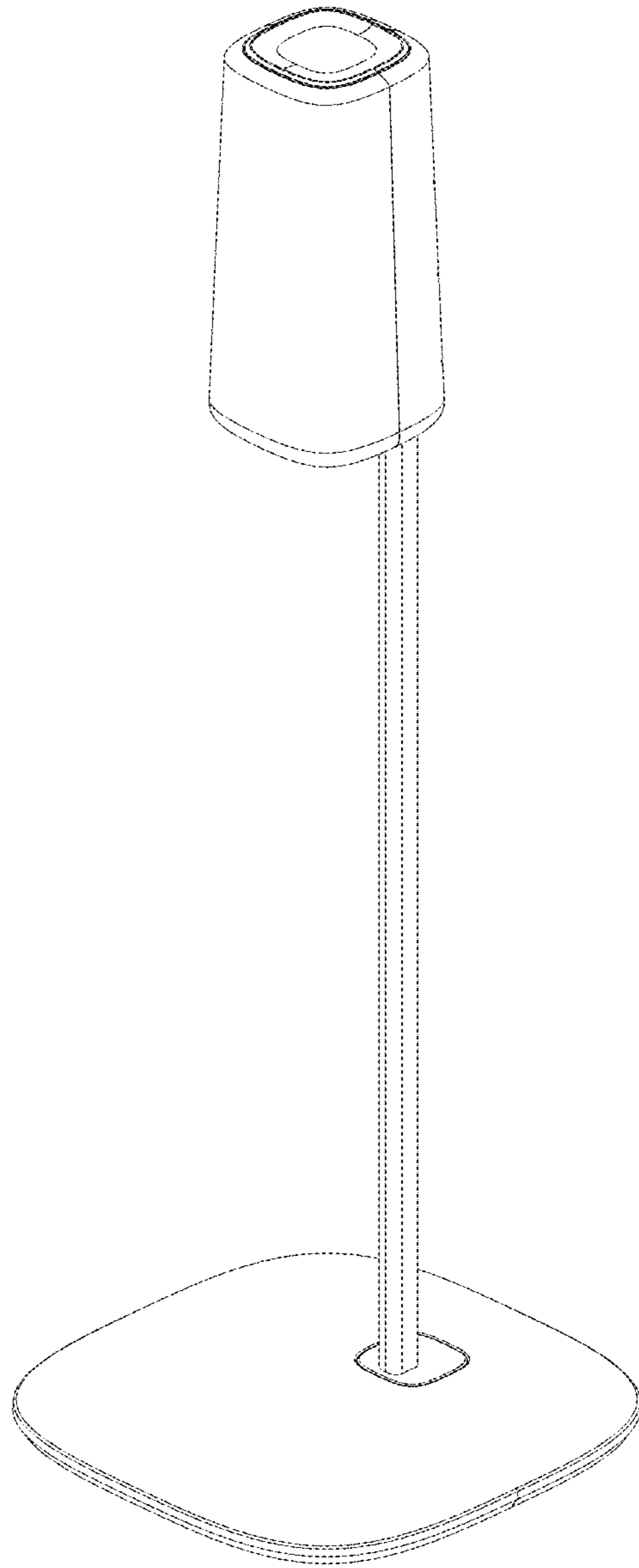


FIG. 1

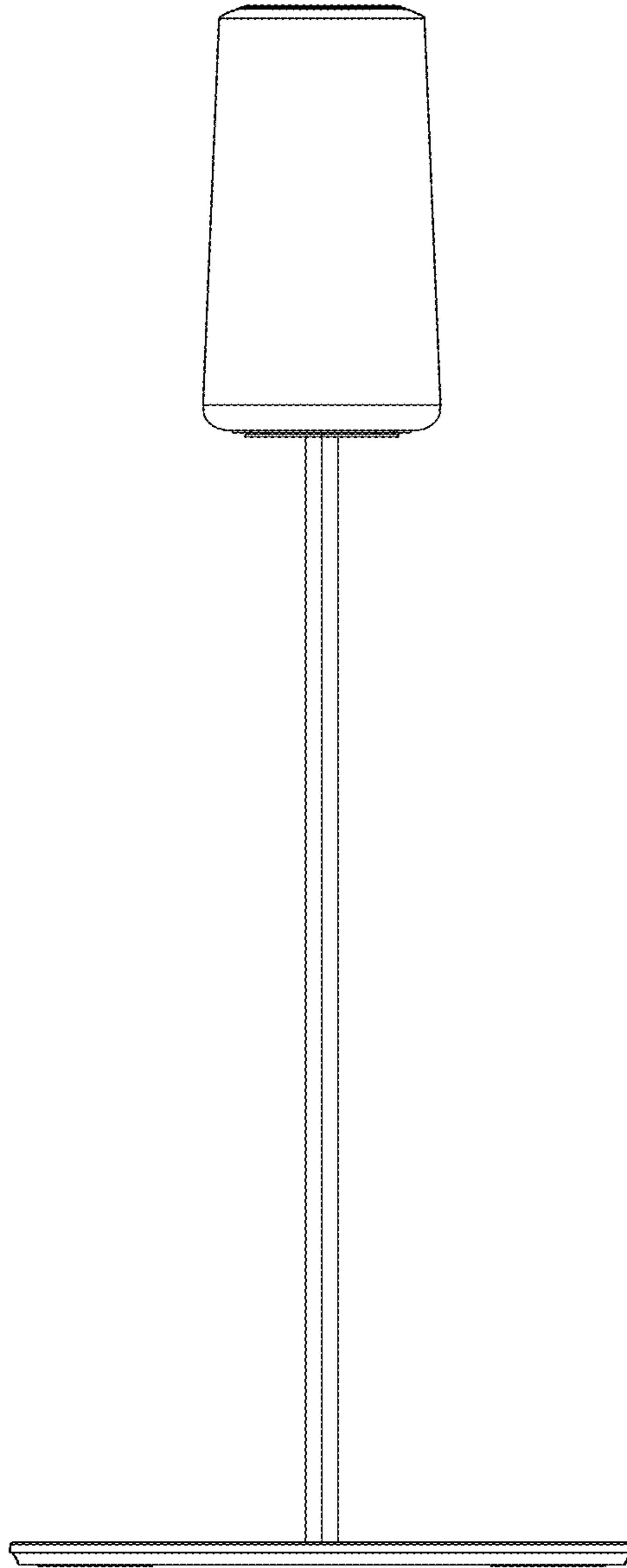


FIG. 2

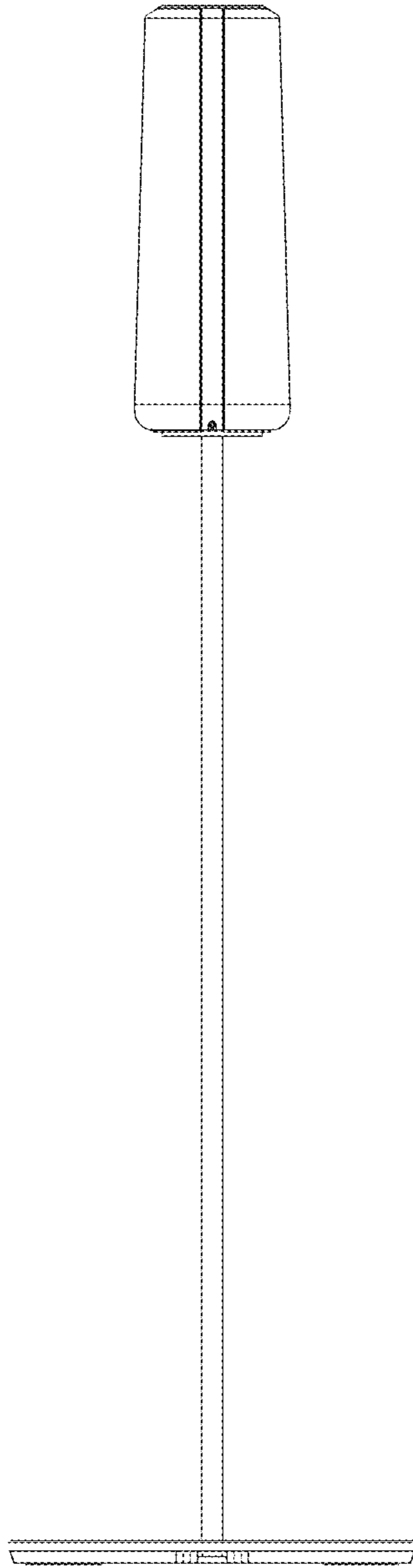


FIG. 3

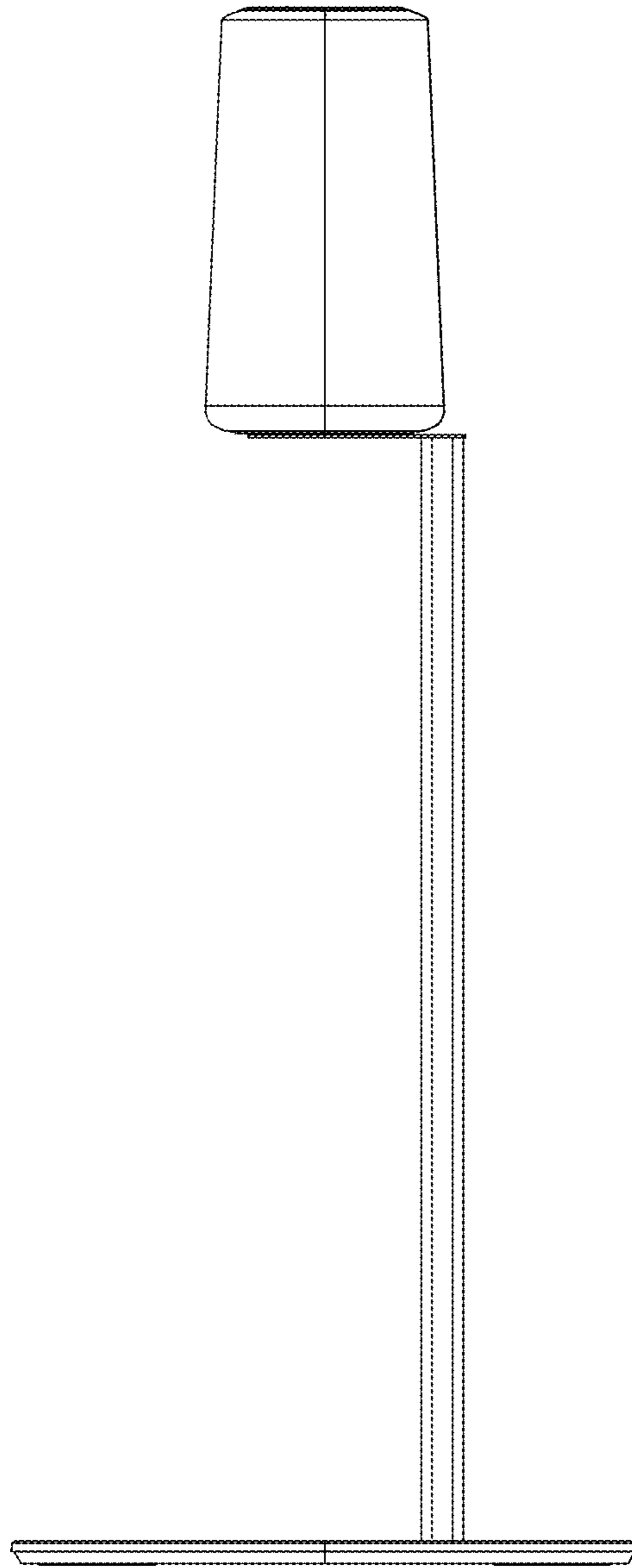


FIG. 4

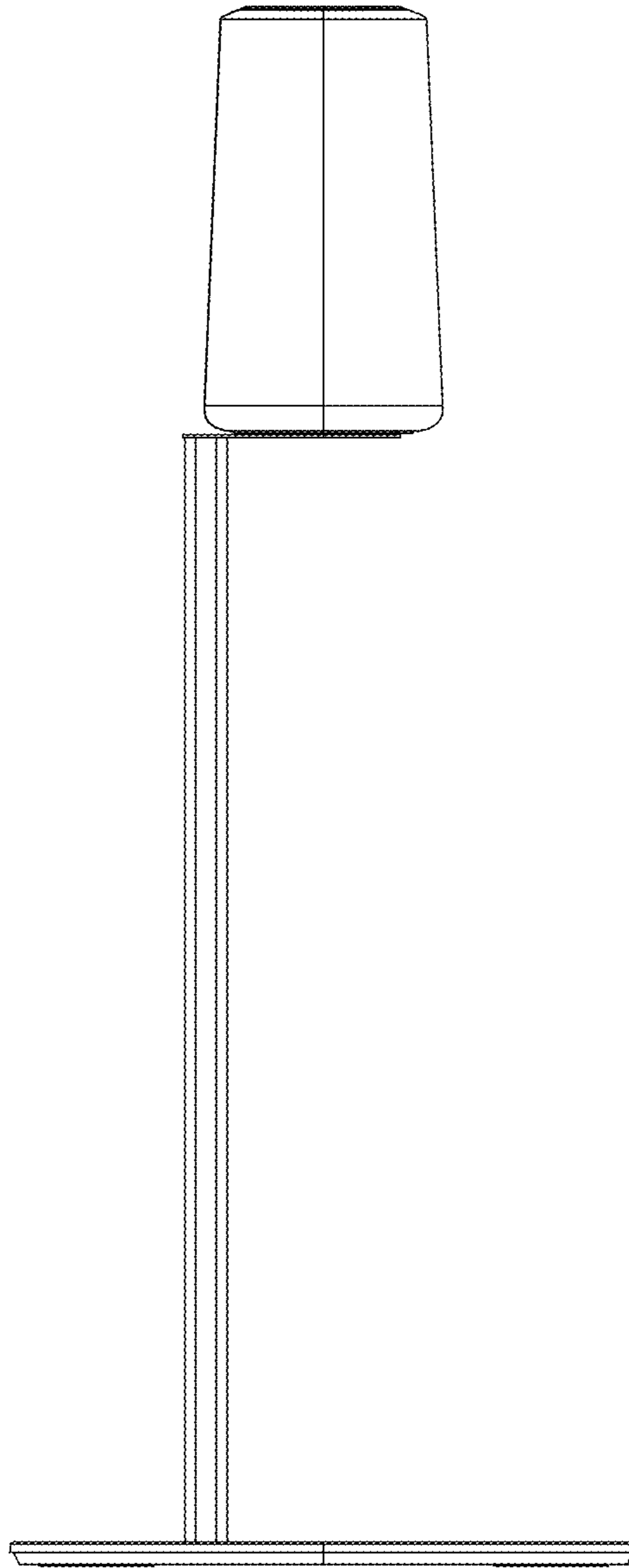


FIG. 5

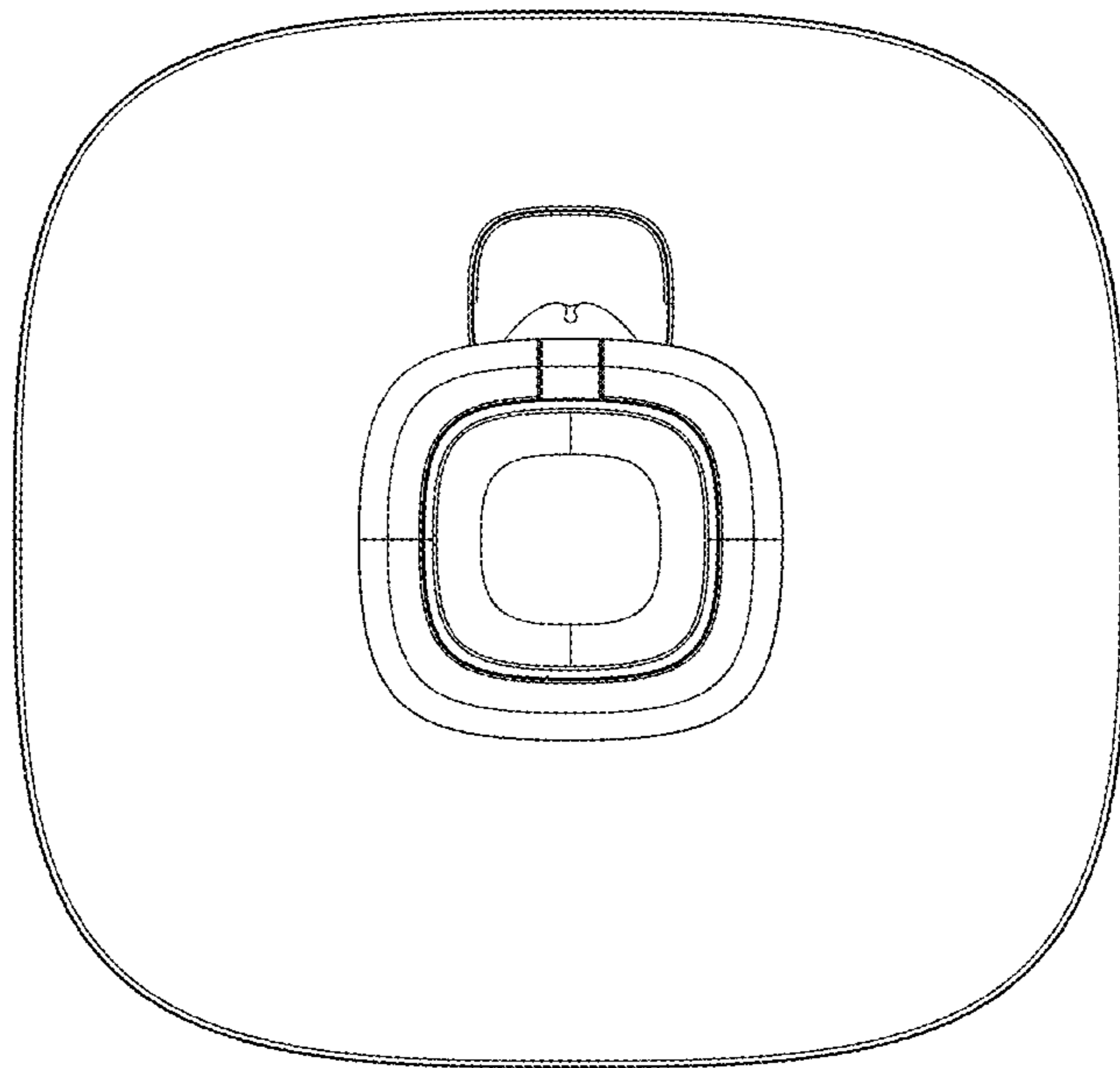


FIG. 6



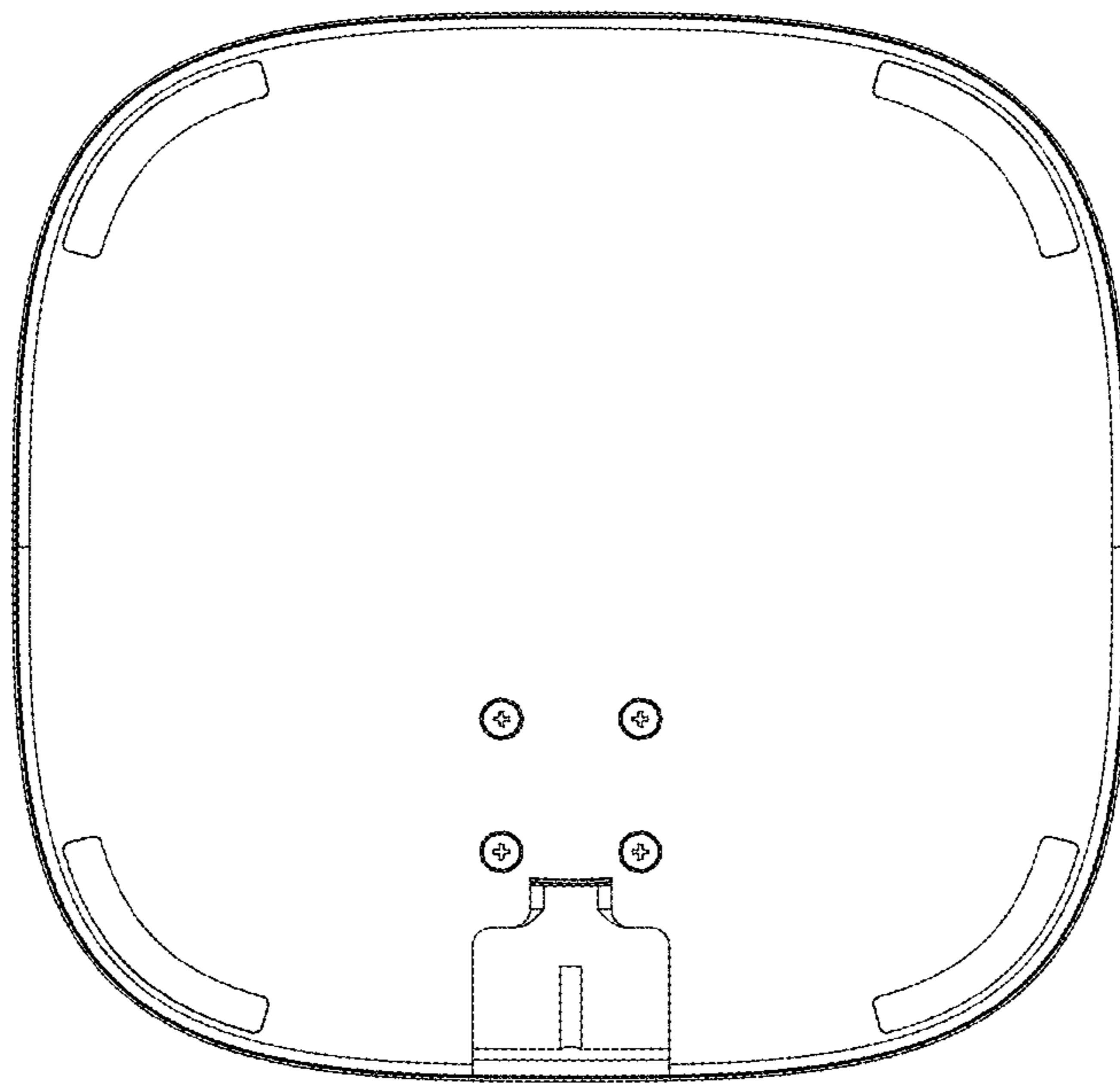


FIG. 7