



US00D782998S

(12) **United States Design Patent**
Shin et al.

(10) **Patent No.:** **US D782,998 S**

(45) **Date of Patent:** **** Apr. 4, 2017**

- (54) **EARPHONE**
- (71) Applicant: **LG ELECTRONICS INC.**, Seoul (KR)
- (72) Inventors: **Jihoon Shin**, Seoul (KR); **Hyon Kim**, Seoul (KR)
- (73) Assignee: **LG ELECTRONICS INC.**, Seoul (KR)
- (**) Term: **15 Years**
- (21) Appl. No.: **29/547,734**
- (22) Filed: **Dec. 7, 2015**
- (30) **Foreign Application Priority Data**
Jun. 8, 2015 (KR) 30-2015-0028670
- (51) **LOC (10) Cl.** **14-01**
- (52) **U.S. Cl.**
USPC **D14/205**
- (58) **Field of Classification Search**
USPC D14/205, 223, 225, 218; 181/129, 130, 181/135; 379/430, 431; 381/380, 381, 381/370, 374, 372, 69; 455/90.3, 575.1
CPC H04R 5/0335; H04R 5/033; H04R 25/00; H04R 1/1066; H04R 1/10; H04R 1/105; H04R 1/1016; H04R 1/1033
See application file for complete search history.

- (56) **References Cited**
U.S. PATENT DOCUMENTS
2,145,449 A * 1/1939 Lockhart H04R 17/02
181/126
2,501,107 A * 3/1950 Volkmann H04R 5/0335
381/374
2,971,065 A * 2/1961 Busse H04R 25/456
381/104

- 3,440,365 A * 4/1969 Hazell H04M 1/05
379/430
- 4,133,984 A * 1/1979 Akiyama H04R 25/456
181/135
- 4,585,089 A * 4/1986 Topholm H04R 25/65
181/130
- D287,280 S * 12/1986 Topholm D24/174
- D287,764 S * 1/1987 Topholm D24/174
- D287,765 S * 1/1987 Topholm D24/174
- D473,217 S * 4/2003 Rivera D14/223
- D481,709 S * 11/2003 Solderits D14/223
- D505,411 S * 5/2005 Sakai D14/192
- D569,841 S * 5/2008 Chung D14/205
- D578,508 S * 10/2008 Wang D14/206
- D595,268 S * 6/2009 Kolton D14/205
- D607,875 S * 1/2010 Pedersen, II H04R 1/1033
D14/206
- D614,168 S * 4/2010 Rogers D14/206
- D621,388 S * 8/2010 Koss D14/223
- D625,294 S * 10/2010 Wada D14/218
- D627,338 S * 11/2010 Koss D14/223

(Continued)

Primary Examiner — Paula Greene
(74) *Attorney, Agent, or Firm* — Birch, Stewart, Kolasch & Birch, LLP

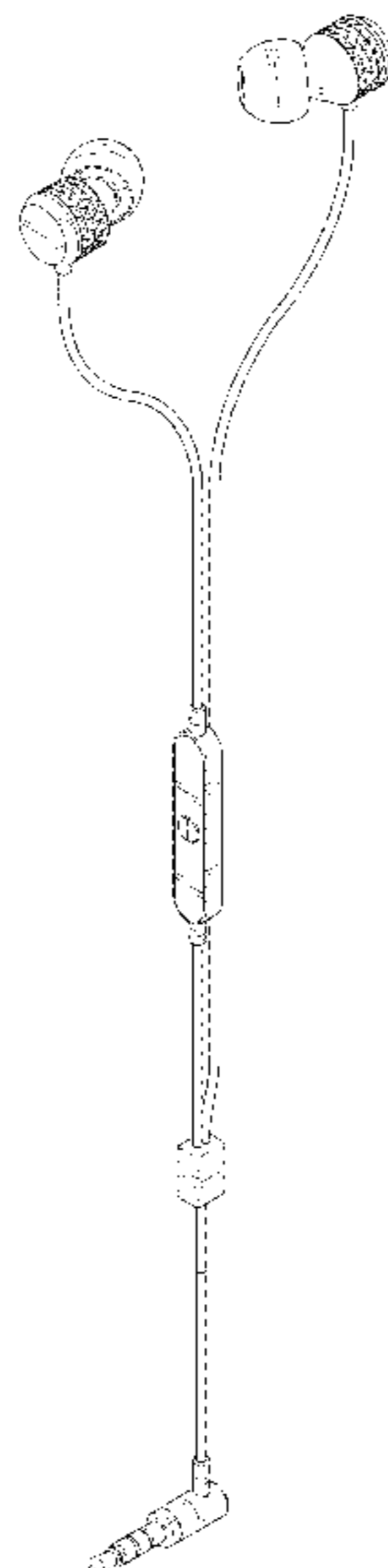
(57) **CLAIM**

The ornamental design for an earphone, as shown and described.

DESCRIPTION

FIG. 1 is a perspective view of an earphone showing our new design;
FIG. 2 is a front view thereof;
FIG. 3 is a rear view thereof;
FIG. 4 is a left side view thereof;
FIG. 5 is a right side view thereof;
FIG. 6 is a top plan view thereof; and,
FIG. 7 is a bottom plan view thereof.

1 Claim, 6 Drawing Sheets



(56)

References Cited

U.S. PATENT DOCUMENTS

D633,482 S *	3/2011	Koss	D14/223	8,457,343 B2 *	6/2013	Zhu	H04R 25/00 381/380
D642,163 S *	7/2011	Lee	D14/223	D685,764 S *	7/2013	Coulter	D14/205
D643,414 S *	8/2011	Lee	D14/205	D698,750 S *	2/2014	Yoon	D14/205
D652,817 S *	1/2012	Lee	D14/205	D699,226 S *	2/2014	Yoon	D14/206
8,144,915 B2 *	3/2012	Hankey	H01H 9/0228 381/370	8,743,533 B2 *	6/2014	Stanley	H01H 9/0228 361/679.01
8,218,808 B2 *	7/2012	Xu	H04R 1/1033 381/370	D711,356 S *	8/2014	Yang	D14/223
D666,581 S *	9/2012	Perez	D14/223	D726,145 S *	4/2015	Hsieh	D14/205
D667,818 S *	9/2012	Sogabe	D14/223	D727,871 S *	4/2015	Orbach	D14/205
D677,248 S *	3/2013	Yoon	D14/223	9,031,264 B2 *	5/2015	Yang	H04R 1/1033 381/189
8,391,536 B2 *	3/2013	Hashimoto	H04R 1/1016 381/370	D743,381 S *	11/2015	Pi	D14/218
D680,102 S *	4/2013	Chen	D14/223	D767,532 S *	9/2016	Jen	D14/205
8,422,717 B2 *	4/2013	Lin	H04R 1/1091 181/129	2007/0098201 A1 *	5/2007	Chen	H04R 1/1016 381/380
8,447,062 B2 *	5/2013	Lin	H04R 1/1033 381/370	2012/0087532 A1 *	4/2012	Yang	H04R 1/10 381/380
					2013/0077815 A1 *	3/2013	Stephenson	H04R 1/1033 381/370
					2013/0170692 A1 *	7/2013	Kaneko	H04R 1/1033 381/380

* cited by examiner

FIG. 1

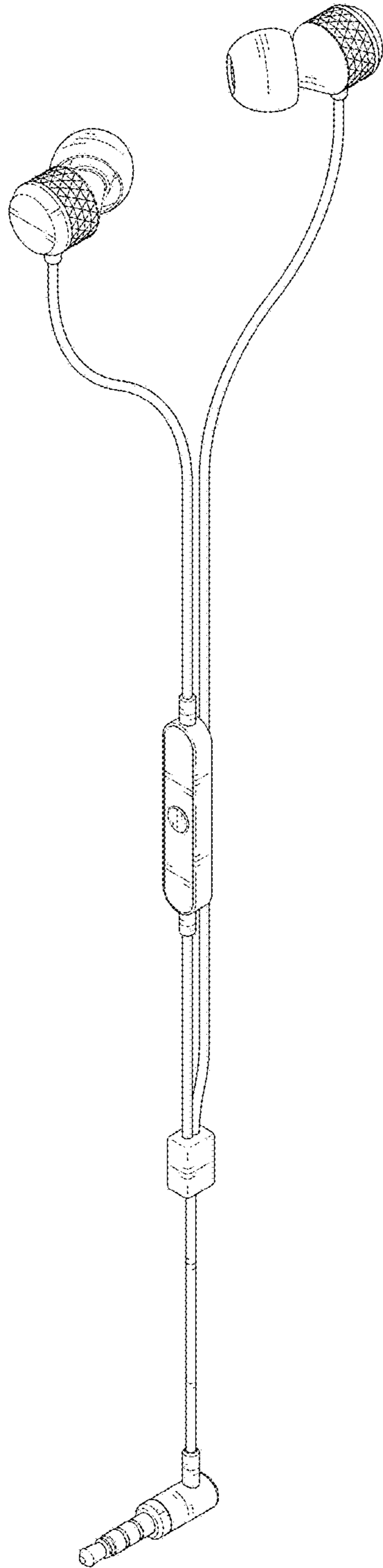


FIG. 2

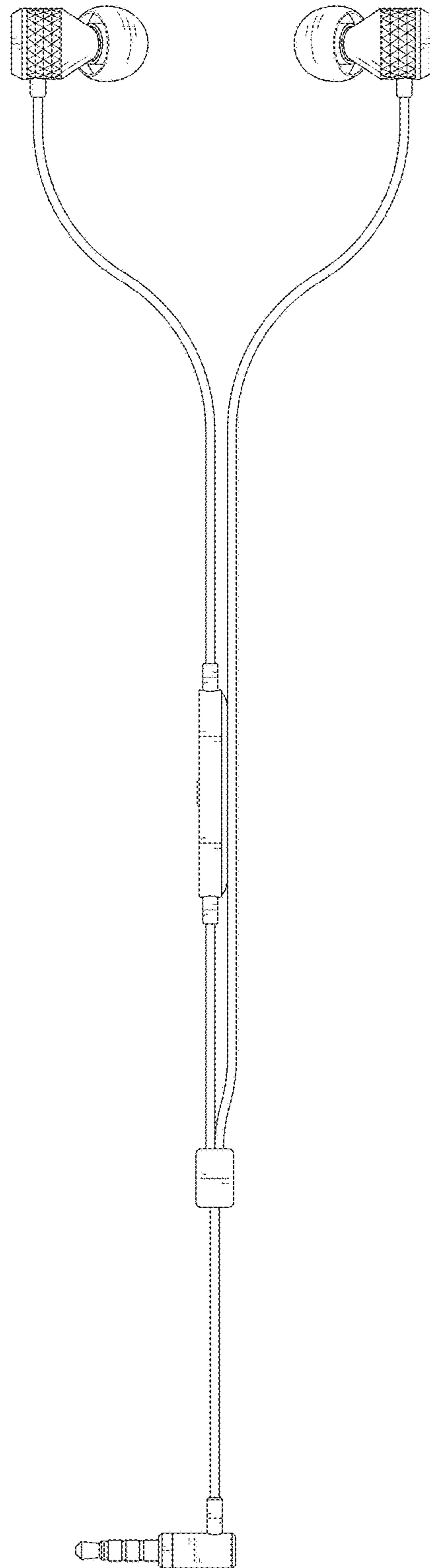


FIG. 3

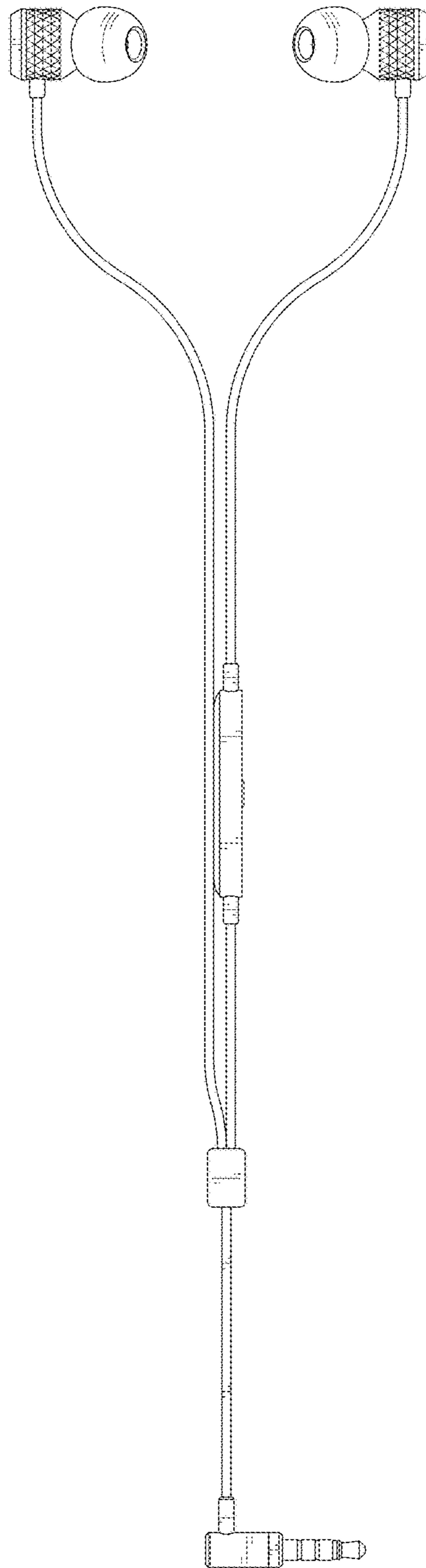


FIG. 4

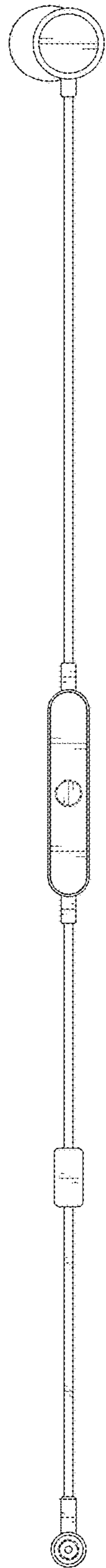


FIG. 5

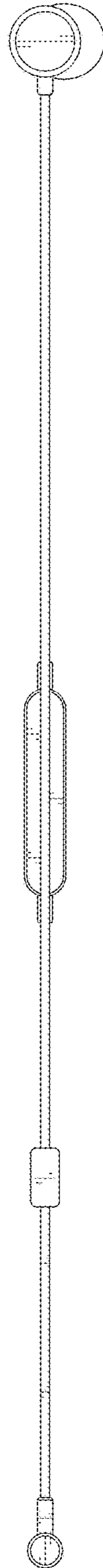


FIG. 6

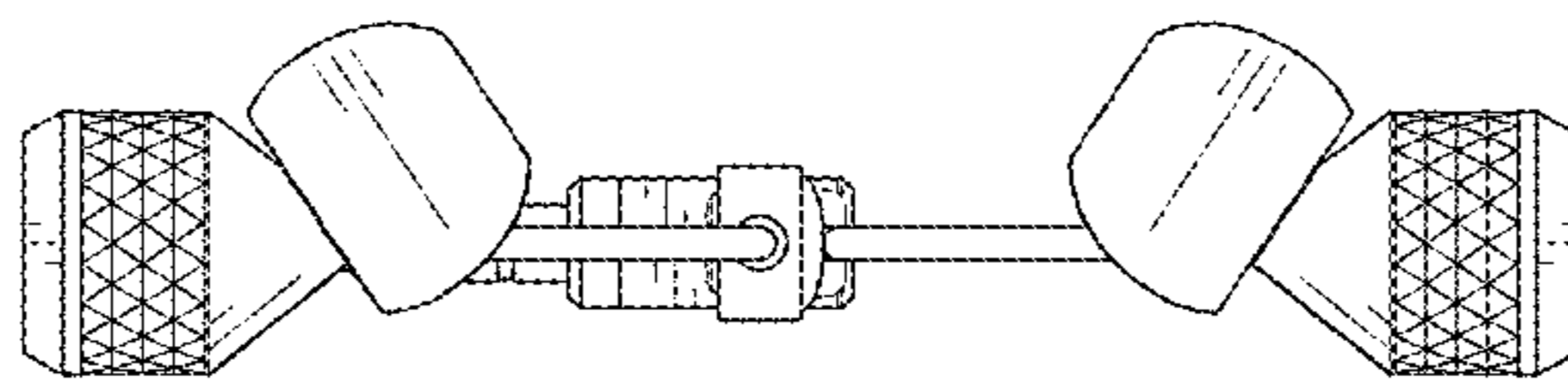


FIG. 7

