



US00D782997S

(12) **United States Design Patent**  
**Shin et al.**

(10) **Patent No.:** **US D782,997 S**

(45) **Date of Patent:** **\*\* Apr. 4, 2017**

(54) **EARPHONE**

(71) Applicant: **LG ELECTRONICS INC.**, Seoul  
(KR)

(72) Inventors: **Jihoon Shin**, Seoul (KR); **Hyon Kim**,  
Seoul (KR)

(73) Assignee: **LG ELECTRONICS INC.**, Seoul  
(KR)

(\*\*) Term: **15 Years**

(21) Appl. No.: **29/547,705**

(22) Filed: **Dec. 7, 2015**

(30) **Foreign Application Priority Data**

Jun. 8, 2015 (KR) ..... 30-2015-0028669

(51) **LOC (10) Cl.** ..... **14-01**

(52) **U.S. Cl.**  
USPC ..... **D14/205**

(58) **Field of Classification Search**

USPC ..... D14/205, 223, 225, 218; 181/129, 130,  
181/135; 379/430, 431; 381/380, 381,  
381/370, 374, 372, 69; 455/90.3, 575.1  
CPC ..... H04R 5/0335; H04R 5/033; H04R 25/00;  
H04R 1/1066; H04R 1/10; H04R 1/105;  
H04R 1/1016; H04R 1/1033

See application file for complete search history.

(56) **References Cited**

U.S. PATENT DOCUMENTS

2,501,107 A \* 3/1950 Volkmann ..... H04R 5/0335  
381/374  
2,971,065 A \* 2/1961 Busse ..... H04R 25/456  
381/104  
3,440,365 A \* 4/1969 Hazell ..... H04M 1/05  
379/430

D220,723 S \* 5/1971 Abbo ..... D14/197  
3,588,384 A \* 6/1971 Negley ..... H04M 1/05  
381/327  
4,133,984 A \* 1/1979 Akiyama ..... H04R 25/456  
181/135  
4,585,089 A \* 4/1986 Topholm ..... H04R 25/65  
181/130  
D287,280 S \* 12/1986 Topholm ..... D24/174  
D287,764 S \* 1/1987 Topholm ..... D24/174  
D287,765 S \* 1/1987 Topholm ..... D24/174  
D481,709 S \* 11/2003 Solderits ..... D14/223  
D505,411 S \* 5/2005 Sakai ..... D14/192  
D569,841 S \* 5/2008 Chung ..... D14/205  
D578,508 S \* 10/2008 Wang ..... D14/206  
D589,028 S \* 3/2009 Haapapuro ..... D14/206  
D607,875 S \* 1/2010 Pedersen, II ..... H04R 1/1033  
D14/206  
D614,168 S \* 4/2010 Rogers ..... D14/206  
D642,163 S \* 7/2011 Lee ..... D14/223  
D643,414 S \* 8/2011 Lee ..... D14/205  
D652,817 S \* 1/2012 Lee ..... D14/205

(Continued)

*Primary Examiner* — Paula Greene

(74) *Attorney, Agent, or Firm* — Birch, Stewart, Kolasch  
& Birch, LLP

(57) **CLAIM**

The ornamental design for an earphone, as shown and  
described.

**DESCRIPTION**

FIG. 1 is a perspective view of an earphone showing our new  
design;

FIG. 2 is a front view thereof;

FIG. 3 is a rear view thereof;

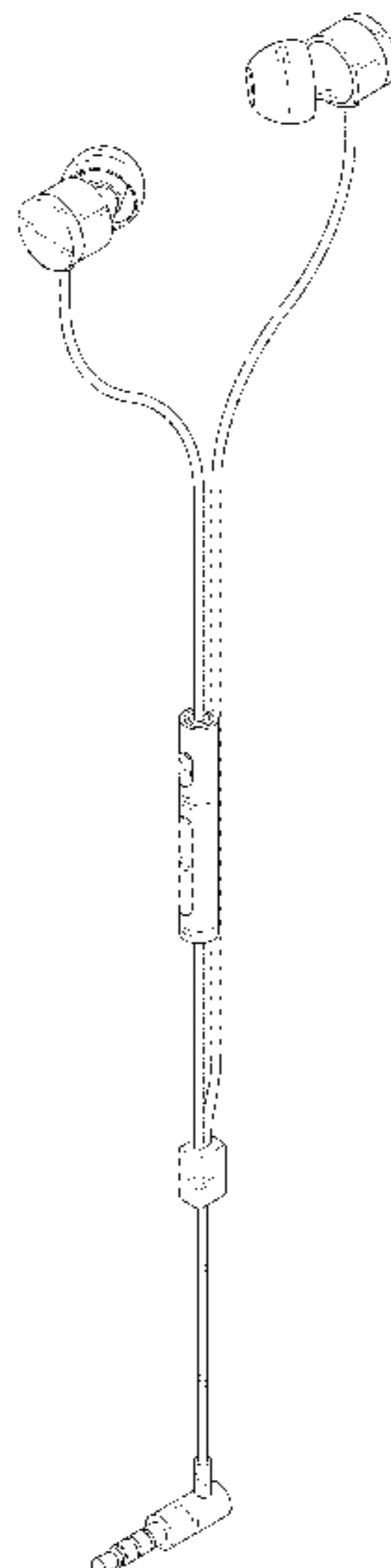
FIG. 4 is a left side view thereof;

FIG. 5 is a right side view thereof;

FIG. 6 is a top plan view thereof; and,

FIG. 7 is a bottom plan view thereof.

**1 Claim, 6 Drawing Sheets**



(56)

**References Cited**

## U.S. PATENT DOCUMENTS

8,144,915	B2 *	3/2012	Hankey	.....	H01H 9/0228 381/370
8,218,808	B2 *	7/2012	Xu	.....	H04R 1/1033 381/370
D666,581	S *	9/2012	Perez	.....	D14/223
D667,818	S *	9/2012	Sogabe	.....	D14/223
8,391,536	B2 *	3/2013	Hashimoto	.....	H04R 1/1016 381/370
D680,102	S *	4/2013	Chen	.....	D14/223
8,422,717	B2 *	4/2013	Lin	.....	H04R 1/1091 181/129
8,447,062	B2 *	5/2013	Lin	.....	H04R 1/1033 381/370
8,457,343	B2 *	6/2013	Zhu	.....	H04R 25/00 381/380
D685,764	S *	7/2013	Coulter	.....	D14/205
D698,750	S *	2/2014	Yoon	.....	D14/205
D699,226	S *	2/2014	Yoon	.....	D14/206
D711,356	S *	8/2014	Yang	.....	D14/223
D725,625	S *	3/2015	Hsieh	.....	D14/205
D726,145	S *	4/2015	Hsieh	.....	D14/205
D727,871	S *	4/2015	Orbach	.....	D14/205
9,031,264	B2 *	5/2015	Yang	.....	H04R 1/1033 381/189
D767,532	S *	9/2016	Jen	.....	D14/205
2007/0098201	A1 *	5/2007	Chen	.....	H04R 1/1016 381/380
2012/0087532	A1 *	4/2012	Yang	.....	H04R 1/10 381/380
2013/0170692	A1 *	7/2013	Kaneko	.....	H04R 1/1033 381/380

\* cited by examiner

FIG. 1

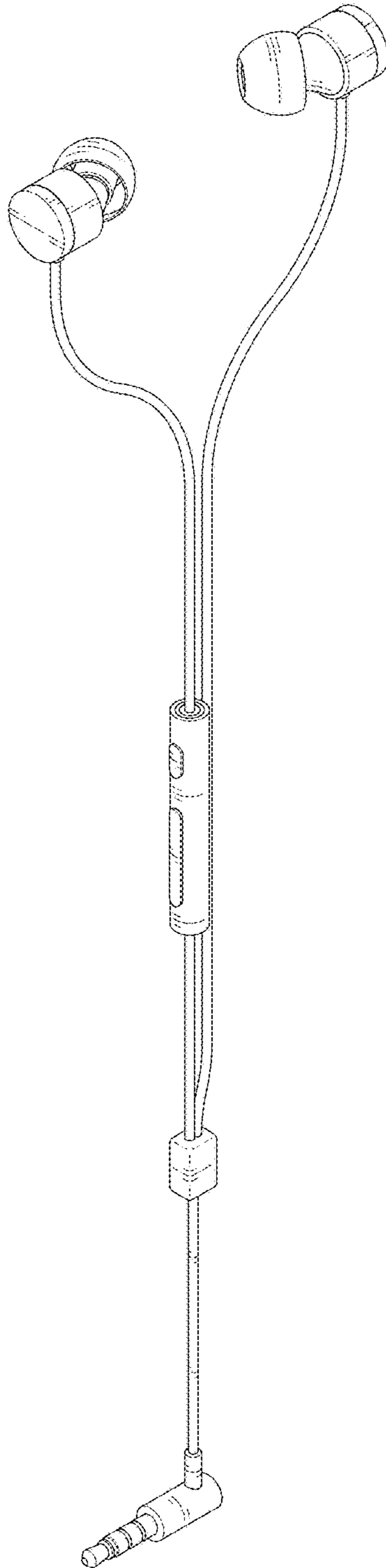


FIG. 2

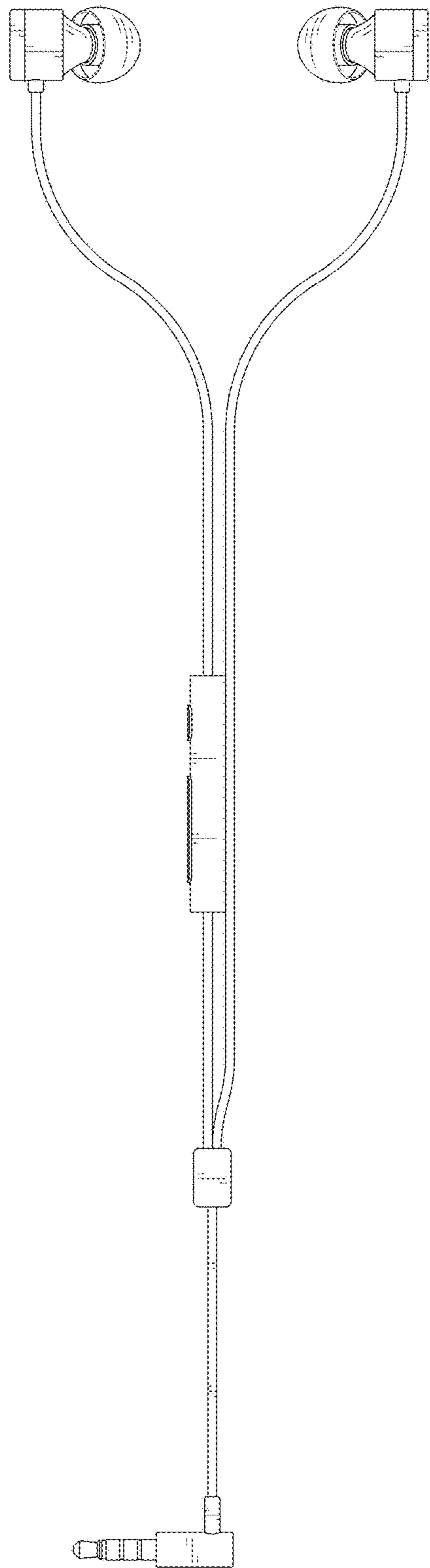


FIG. 3

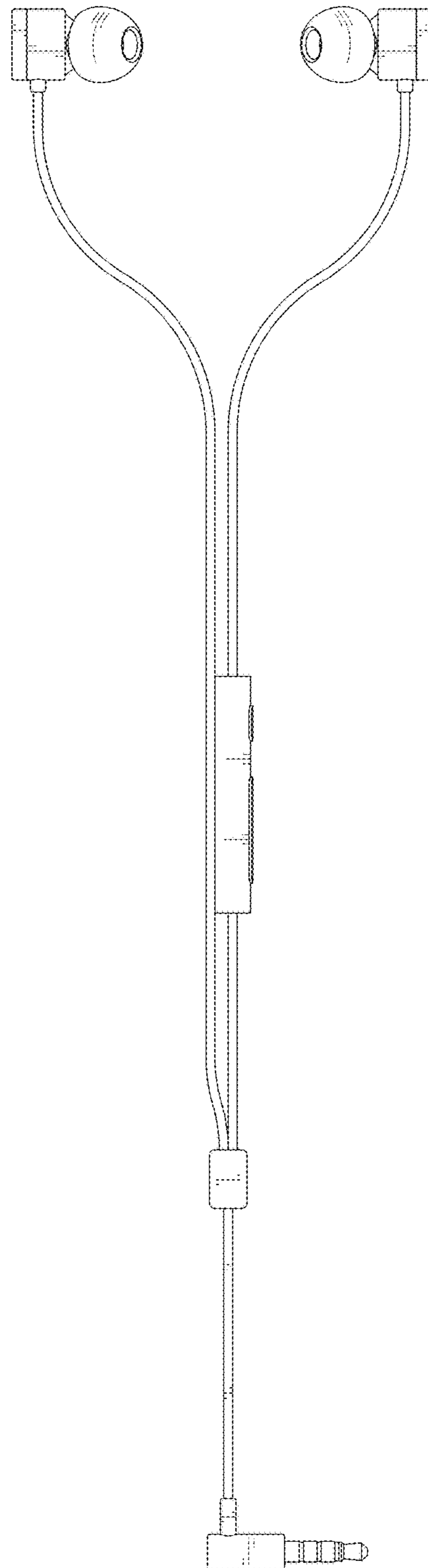


FIG. 4

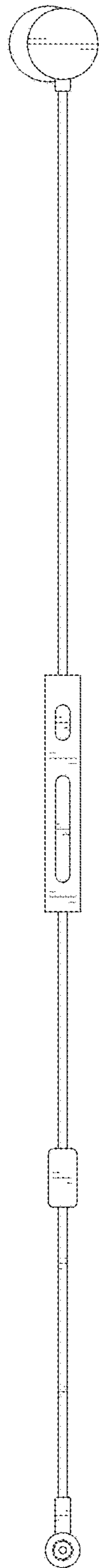


FIG. 5

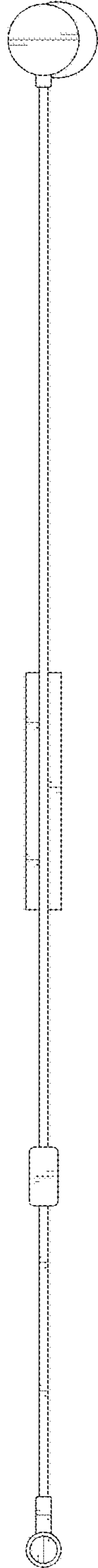


FIG. 6

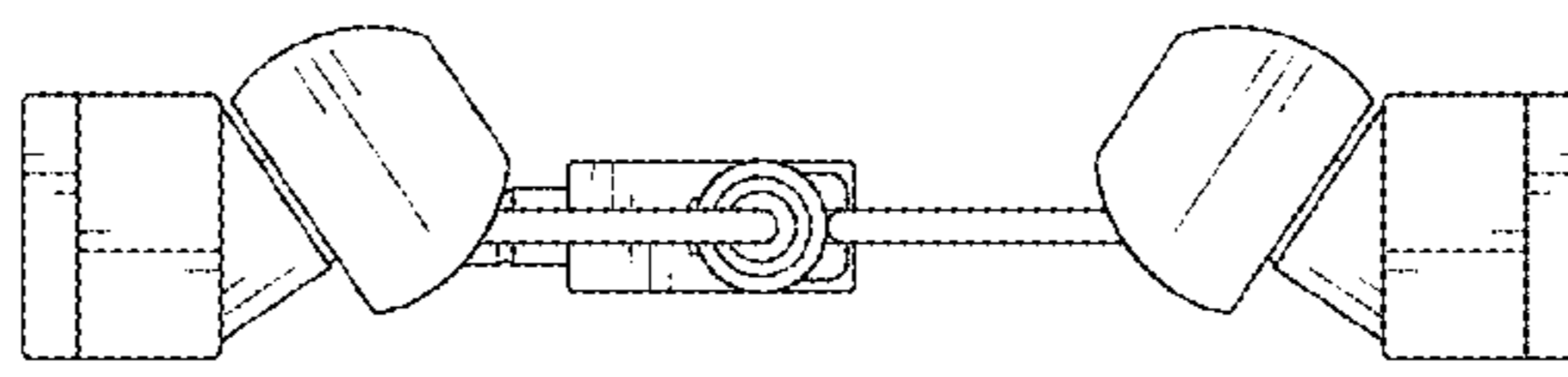


FIG. 7

